

Model#: FLCWL01

ASSEMBLY & INSTALLATION INSTRUCTIONS

Please read carefully and save these instructions, as you may need them at a later date.

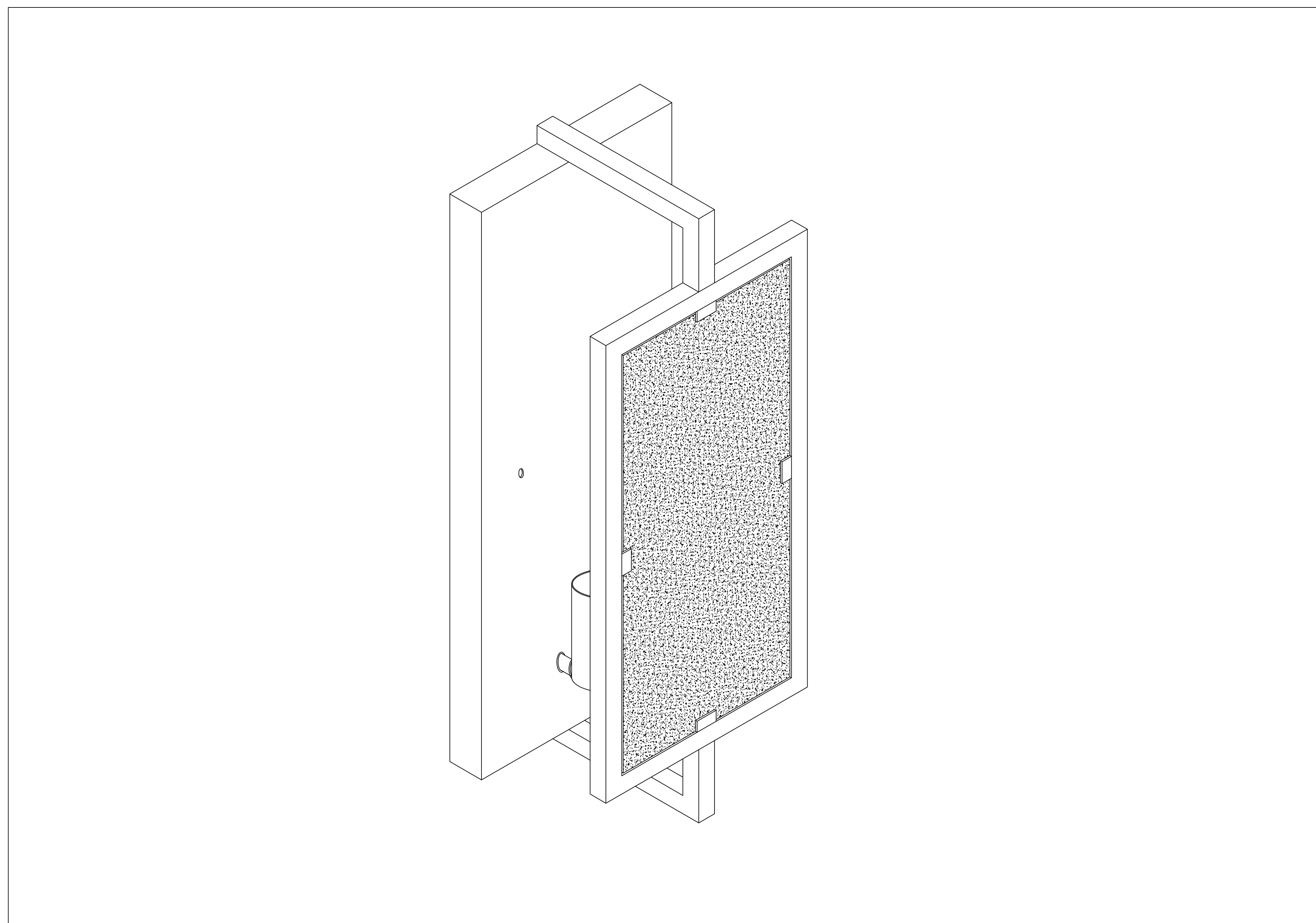
CAUTION

Turn off the main power at the circuit breaker before installing the fixture, in order to prevent possible shock.

GENERAL

All electrical connections must be in accordance with local and National Electrical Code (N.E.C.) standards. If you are unfamiliar with proper electrical wiring connections obtain the services of a qualified electrician.

Remove the fixture and the mounting package from the box and make sure that no parts are missing by referencing the illustrations on the installation instructions.

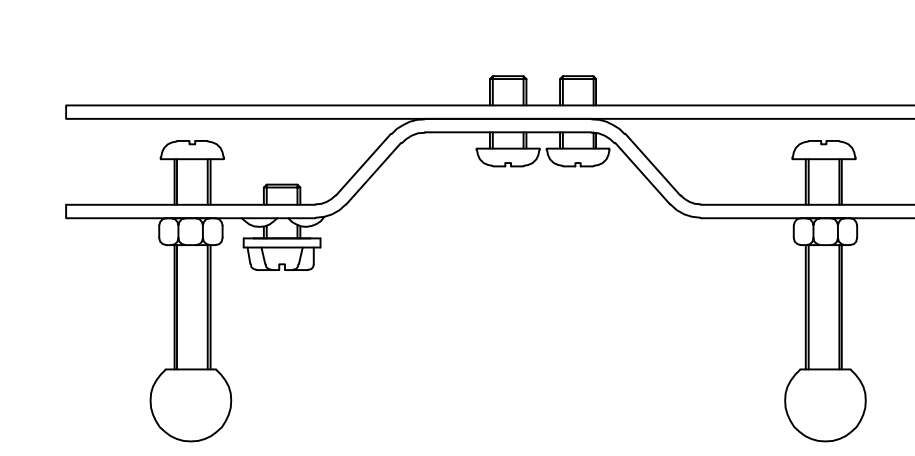


Bulbs :1*E26*T10 40W (BULB INCLUDED)

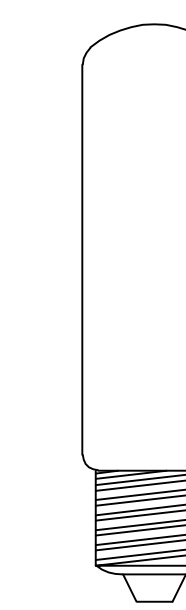
PRODUCTS ARE NOT INTENDED FOR COMMERCIAL USE.

MADE IN CHINA
Page 1 of (2)

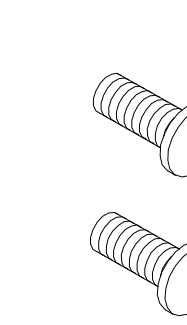
IMPORTANT: Turn off the power at the main fuse or circuit breaker box before starting installation



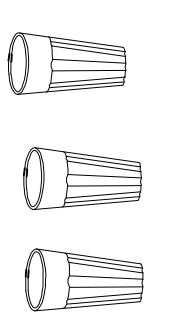
Bracket



Bulb

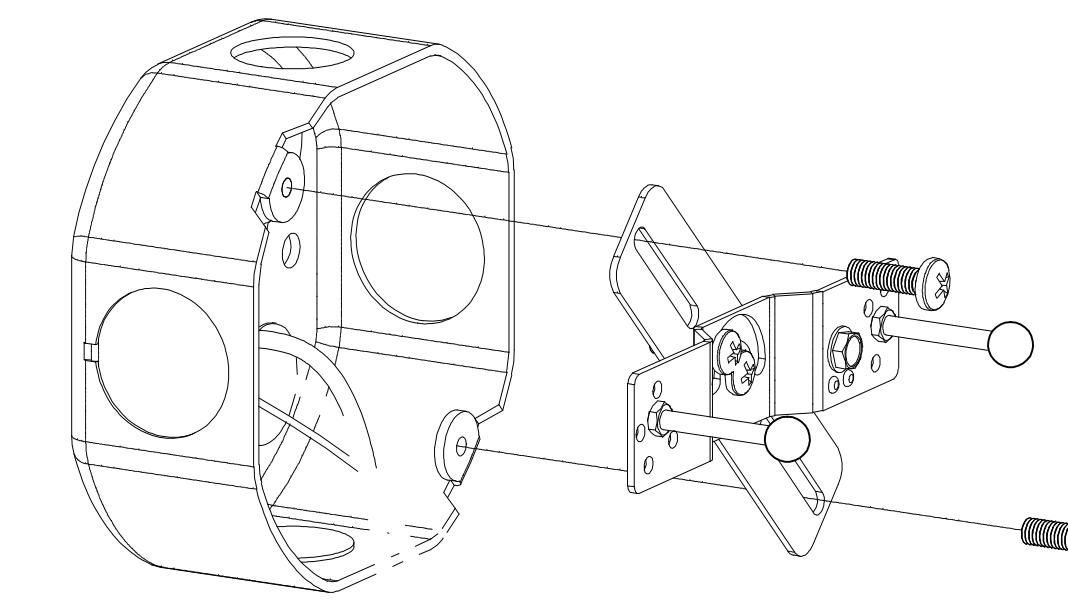


Mounting Screw*2

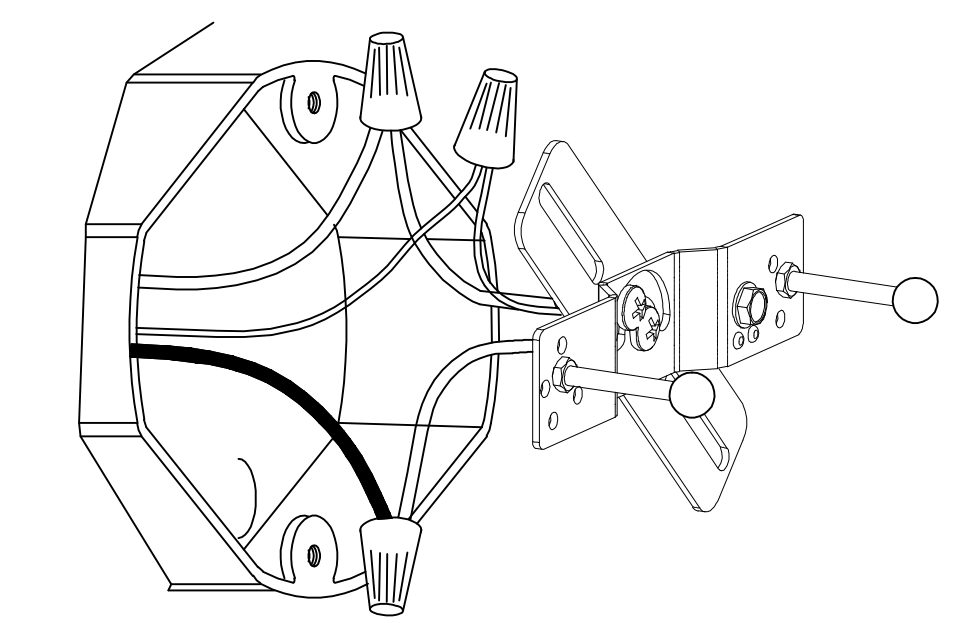


Wire Nut*3

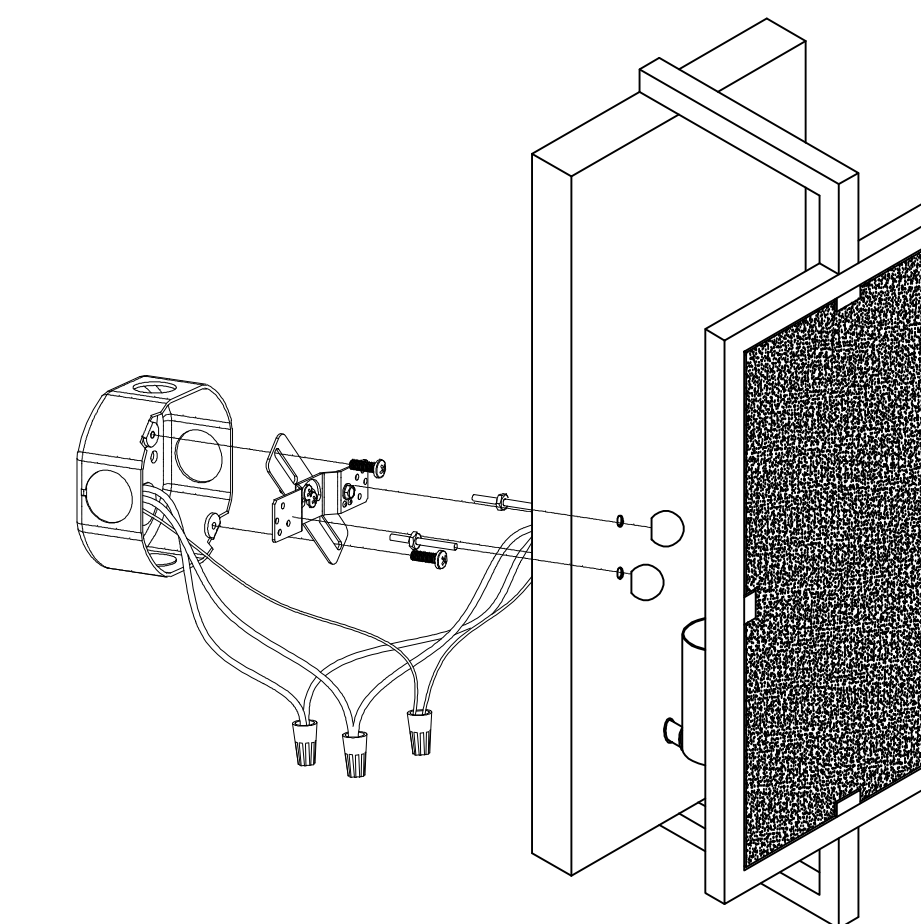
Locate all hardware & components before discarding packaging



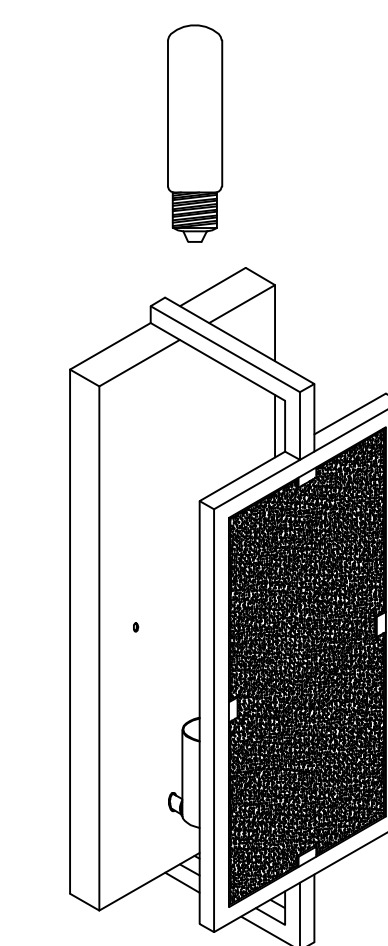
Step 1: Attach mounting plate to the outlet box using two mounting screws



Step 2: Connect the fixture black wire to the house black wire and the fixture white wire to the house white wire using wire nuts provided. Connect the copper wire on the light fixture to the mounting plate by securing it with the preinstalled grounding screw, and then connect grounding wire with the wire nut. Tuck all the wires into outlet box



Step 3: Place the fixture body onto the fixture mounting screws. Slide the washer over the mounting screws. Secure the fixture body into place by using the lock nuts.



Step 4: Install T10 bulb.

Cleaning & Care:
Clean with soft cloth and a mild detergent.
Do not use abrasive cleaner.