



# Prologue® | K-R31475-2

27" top-/undermount single-bowl kitchen sink

## Features

- 30" (762 mm) minimum base cabinet width
- Single bowl
- 9" (229 mm) depth provides generous workspace
- SilentShield® sound-absorption technology offers quieter performance
- Rounded corners are easy to clean.
- Two faucet holes
- Box includes: Sink, installation hardware



## Sustainability



## Available Colors/Finishes

*Color tiles intended for reference only.*

NA Stainless Steel



1-800-4KOHLER (1-800-456-4537)  
Kohler Co. reserves the right to make revisions without notice to product specifications.  
For the most current specification sheet, go to [www.kohler.com](http://www.kohler.com) USA or [www.kohler.ca](http://www.kohler.ca) Canada.  
3-27-2026 18:41 - US-CA

THE BOLD LOOK  
OF **KOHLER**

---

## Codes/Standards

ASME A112.19.3/CSA B45.4

---

## Technical Information

*All product dimensions are nominal.*

Number of Deck Holes:	2
Faucet Hole(s) Size:	1-7/16" (37 mm)
Soap/Lotion Hole Size:	1-7/16" (37 mm)
Drain Hole Diameter:	3-5/8" (92 mm)
Minimum Base Cabinet Width:	30" (762 mm)
Basin Configuration:	Single Bowl
Basin Length:	24" (609 mm)
Basin Width:	16-1/8" (410 mm)
Basin Depth:	9" (229 mm)

---

## Material

- Premium 18-gauge stainless steel
  - KOHLER stainless steel sinks resist corrosion and tarnishing
- 

## Recommended Products/Accessories

K-23729 Stainless steel cleaner

K-23726 Drain treatment

K-31474 Stainless steel sink rack

---

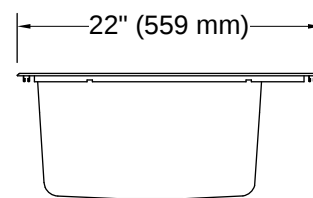
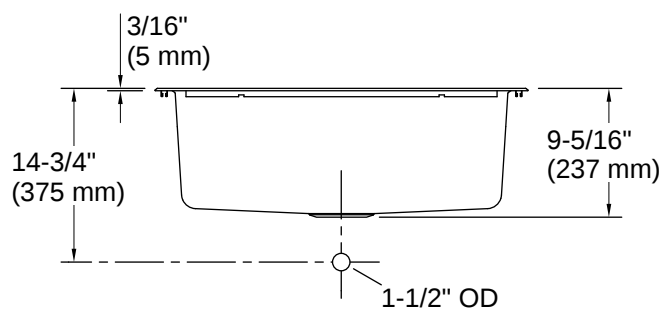
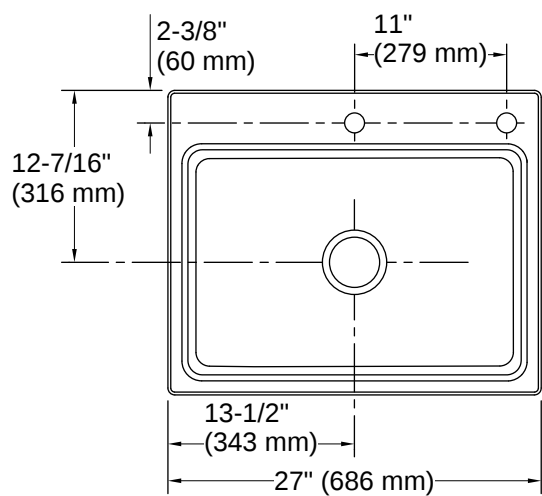
## Warranty

*See website for detailed warranty information.*

KOHLER® Stainless Steel Sinks Lifetime Limited Warranty



1-800-4KOHLER (1-800-456-4537)  
Kohler Co. reserves the right to make revisions without notice to product specifications.  
For the most current specification sheet, go to [www.kohler.com](http://www.kohler.com) USA or [www.kohler.ca](http://www.kohler.ca) Canada.  
3-27-2026 18:41 - US-CA



## Installation

- Top-mount or undermount

## Installation Notes

*Install this product according to the installation instructions.*

