










Assembly Instructions

Caution : You must read this before you proceed

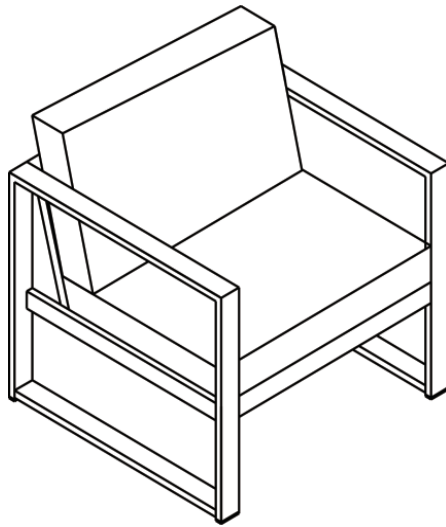
Care & Maintenance

- ⊘  ● Not for commercial use. For residential use only.
- ⊘  ● Do not put hot items directly on furniture surface.
- ⊘  ● Do not clean furniture with harsh cleansers or polish.
- ✓  ● To obtain the longest lifespan of your outdoor products, minimizing exposure to direct sunlight is recommended.
- ⊘  ● Children should not climb or jump on the furniture.
- ⊘  ● Do not write on furniture without a padded barrier to protect the surface.
- ✓  ● To obtain the longest lifespan of your outdoor products, avoid extended and lengthy exposure to rain, snow, and direct sunshine. Whenever possible cover the product and /or place under patio or awnings.
- ⊘  ● Stains may be removed with mild soap solution and damp cloth.


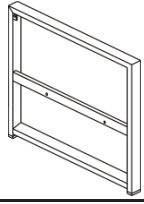
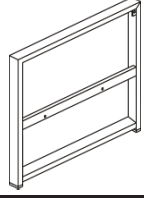
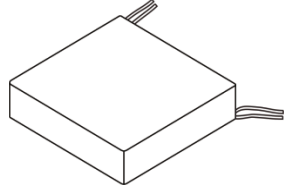
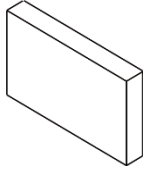
- ✓  ● Dust and pick-up spills using a clean, non-colored, lint-free cloth.

Please look in boxes for hardware packs and legs.
Sets often ship in multiple boxes and may arrive a day or two apart.


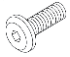


Chair






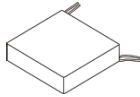
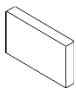




Parts List






Label	Picture	Description	QTY
A		Seat	1
B		Right Armrest(Pre-InstalledLevellers)	1
C		Left Armrest(Pre-InstalledLevellers)	1
D		Seat Cushion	1
E		Back Cushion	1

Hardware

Label	Picture	Description	QTY
①		Bolt (M6*40MM)	5
②		Bolt (M6*32MM)	3
③		Washer	7
④		Allen Wrench	1

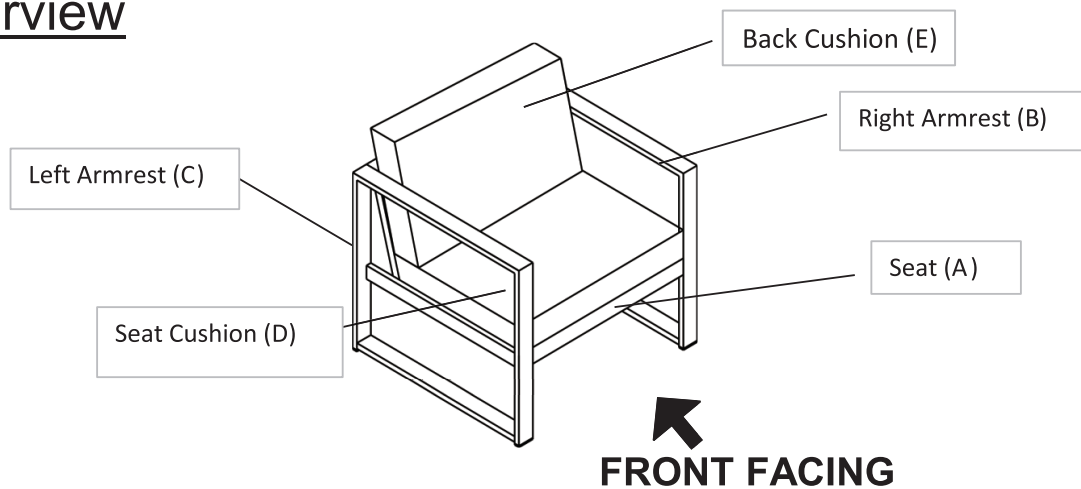
Assembly Preparation

Before Beginning Assembly :					
	 ① x 5	 ② x 3	 ③ x 7	 ④	

-  • Read instructions, cover to cover-
-  • Have 2 adults on hand for assembly-
-  • Do not assemble on flooring or carpet-
-  • Assemble on a clean non-marring surface (packing foam)-
-  • Save all packaging until finished-

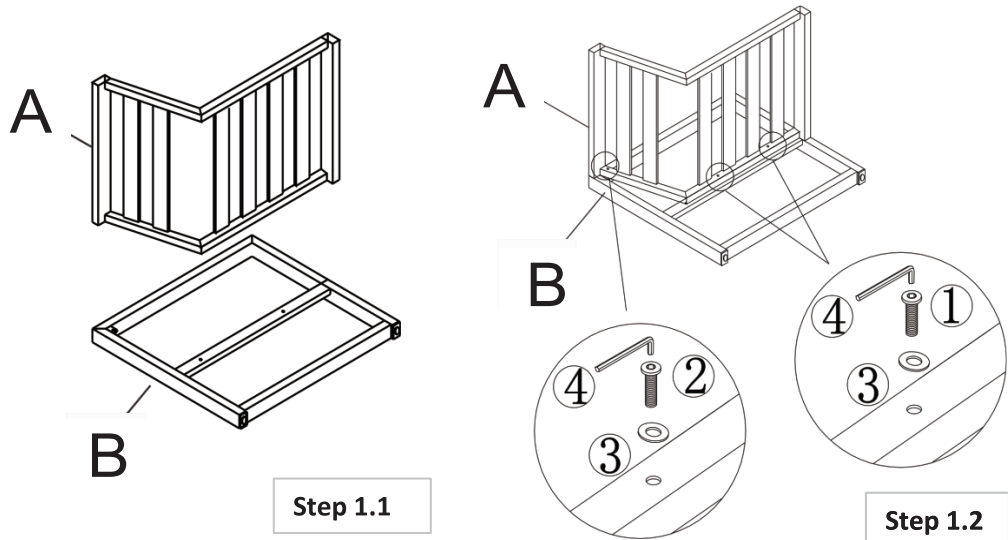
Assembly Steps

Overview



This Chair has multiple parts and may require up to 30 minutes to assemble. To give you an overview of the Chair parts, the above picture is to help you put the various parts into perspective. Please read through the instructions below to familiarise yourself with the parts and steps before assembly.

Step 1



Open the carton and place all the parts onto a clean, non-marring surface.
Place the Right Armrest(B) facedown.

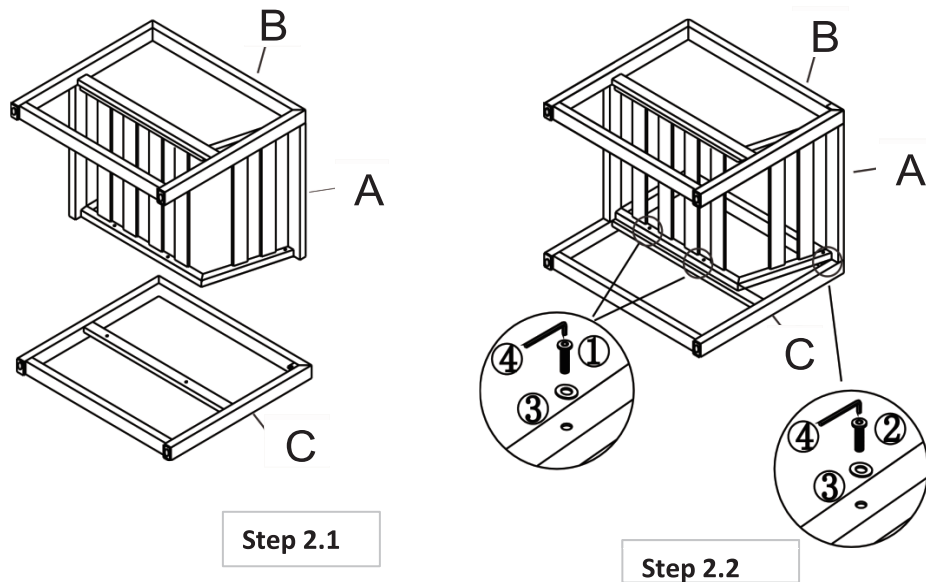
1.1) Align Seat(A) to Right Armrest(B) as shown above.

1.2) Attach Seat(A) to Right Armrest(B) using Bolts(①), and Washers(③) with Allen Wrench(④) as shown above.

Attach Seat(A) to Right Armrest(B) using Bolt(②), and Washer(③) with Allen Wrench(④) as shown above.

Tighten the Bolts fully in a sequential manner.

Step 2



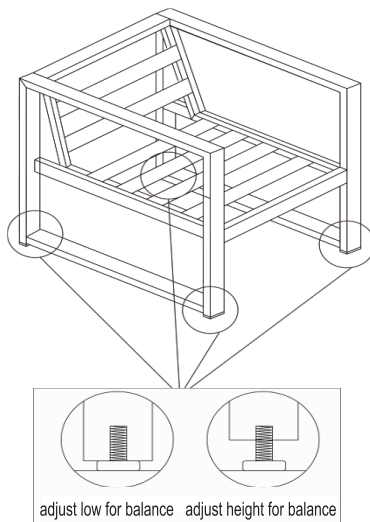
2.1) Align Seat(A) to Left Armrest(C) as shown above.

2.2) Attach Seat(A) to Left Armrest(C) using Bolts(①), and Washers(③) with Allen Wrench (④) as shown above.

Attach Seat(A) to Left Armrest(C) using Bolt(②), and Washer(③) with Allen Wrench(④) as shown above.

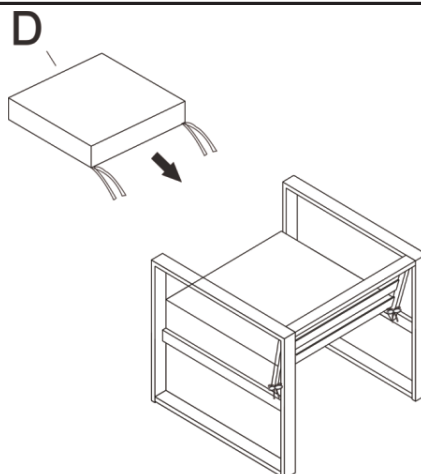
Tighten the Bolts fully in a sequential manner.

Step 3



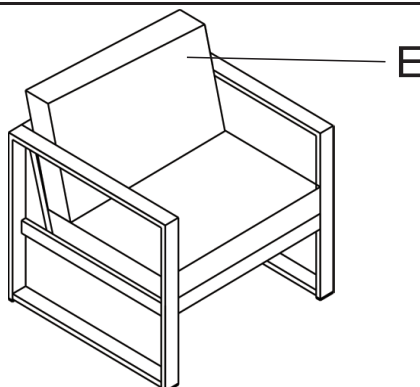
Then, with the assistance from an adult partner, stand the Chair upright.
Adjust the Pre-installed Levellers until the Chair is level with the ground.
To adjust the Levellers, with assistance from an adult partner, tilt the Chair to rest on two feet.
Adjust the levellers to the desired height until the Chair is level.

Step 4



Place the Seat Cushion(D) on the Seat(A).
Tie the rope to the Seat(A).

Step 5











Place the Back Cushion(E) on the Chair.
Your Chair is ready for use.


This Chair can only be used on a flat and level surface.

Assembly Instructions

Caution : You must read this before you proceed

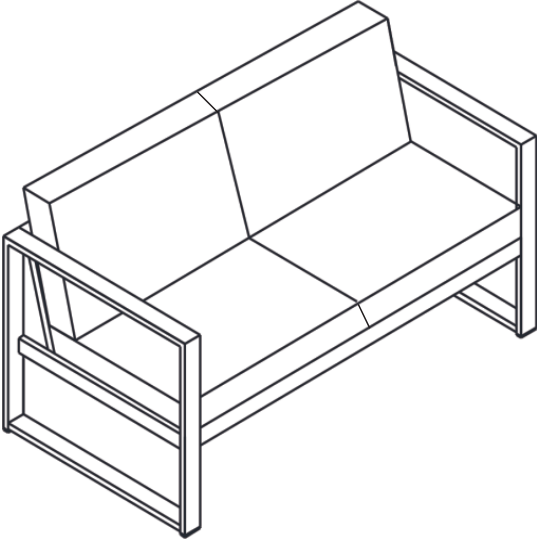
Care & Maintenance

- ⊘  ● Not for commercial use. For residential use only.
- ⊘  ● Do not put hot items directly on furniture surface.
- ⊘  ● Do not clean furniture with harsh cleansers or polish.
- ✓  ● To obtain the longest lifespan of your outdoor products, minimizing exposure to direct sunlight is recommended.
- ⊘  ● Children should not climb or jump on the furniture.
- ⊘  ● Do not write on furniture without a padded barrier to protect the surface.
- ✓  ● To obtain the longest lifespan of your outdoor products, avoid extended and lengthy exposure to rain, snow, and direct sunshine. Whenever possible cover the product and /or place under patio or awnings.
- ⊘  ● Stains may be removed with mild soap solution and damp cloth.

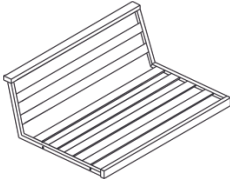
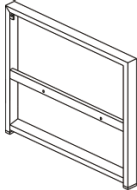
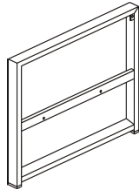
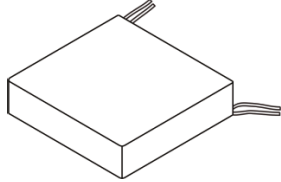
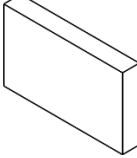
- ✓  ● Dust and pick-up spills using a clean, non-colored, lint-free cloth.

Please look in boxes for hardware packs and legs.
Sets often ship in multiple boxes and may arrive a day or two apart.

Loveseat



Parts List

Label	Picture	Description	QTY
F		Seat	1
B		Right Armrest(Pre-InstalledLevellers)	1
C		Left Armrest(Pre-InstalledLevellers)	1
D		Seat Cushion	2
E		Back Cushion	2

Hardware

Label	Picture	Description	QTY
①		Bolt (M6*40MM)	5
②		Bolt (M6*32MM)	3
③		Washer	7
④		Allen Wrench	1

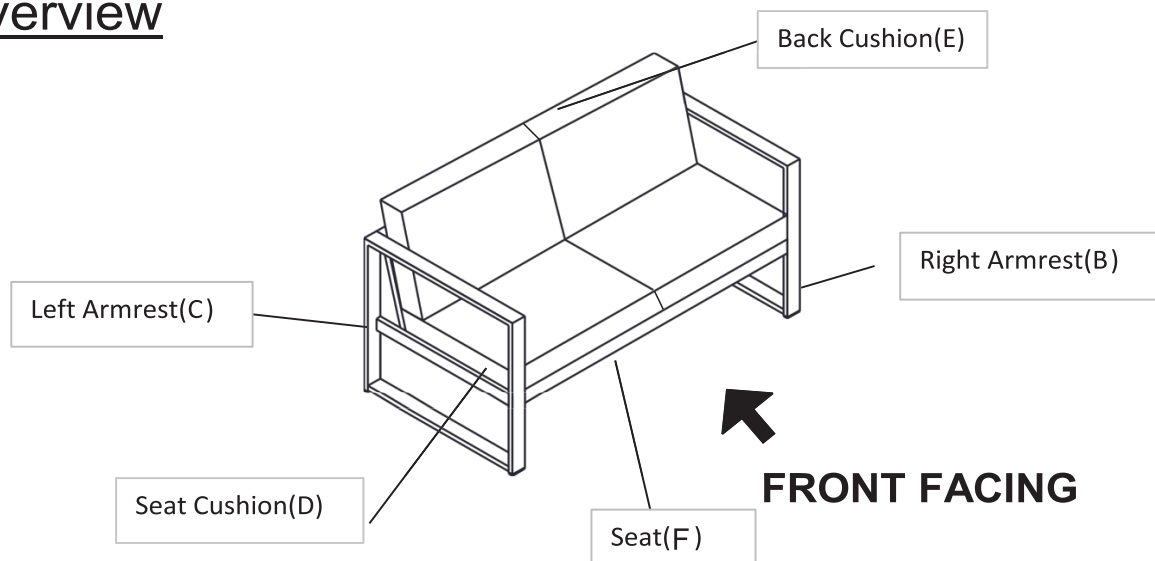
Assembly Preparation

Before Beginning Assembly :					
	① x 5	② x 3	③ x 7	④	

- Read instructions, cover to cover-
- Have 2 adults on hand for assembly-
- Do not assemble on flooring or carpet-
- Assemble on a clean non-marring surface (packing foam)-
- Save all packaging until finished-

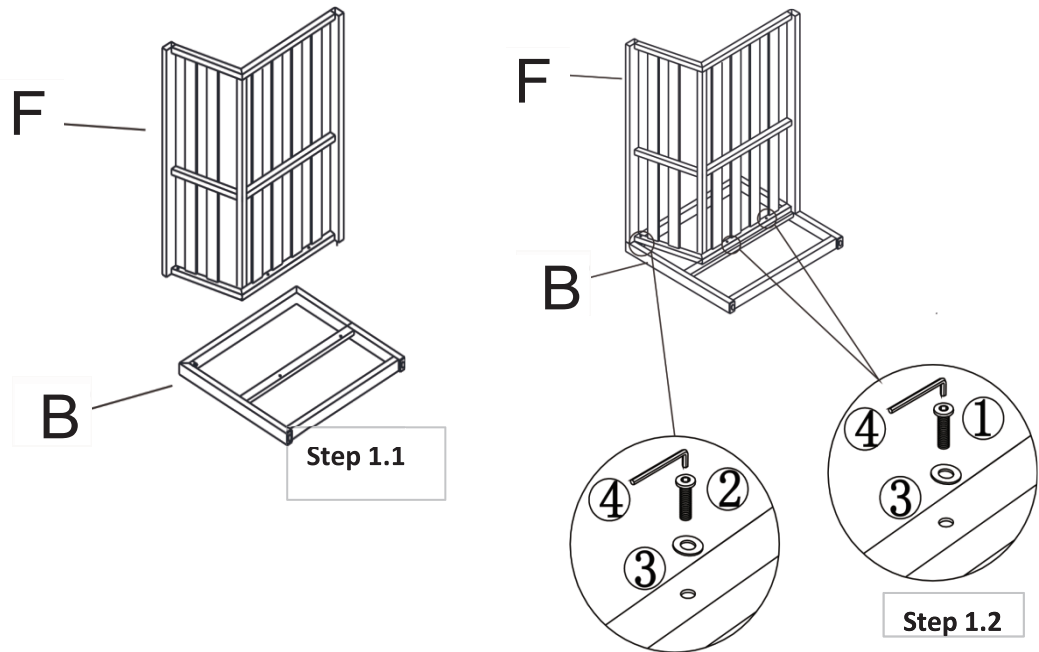
Assembly Steps

Overview



This Loveseat has multiple parts and may require up to 30 minutes to assemble. To give you an overview of the Loveseat parts, the above picture is to help you put the various parts into perspective. Please read through the instructions below to familiarise yourself with the parts and steps before assembly.

Step 1



Open the carton and place all the parts onto a clean, non-marring surface.
Place the Right Armrest(B) facedown.

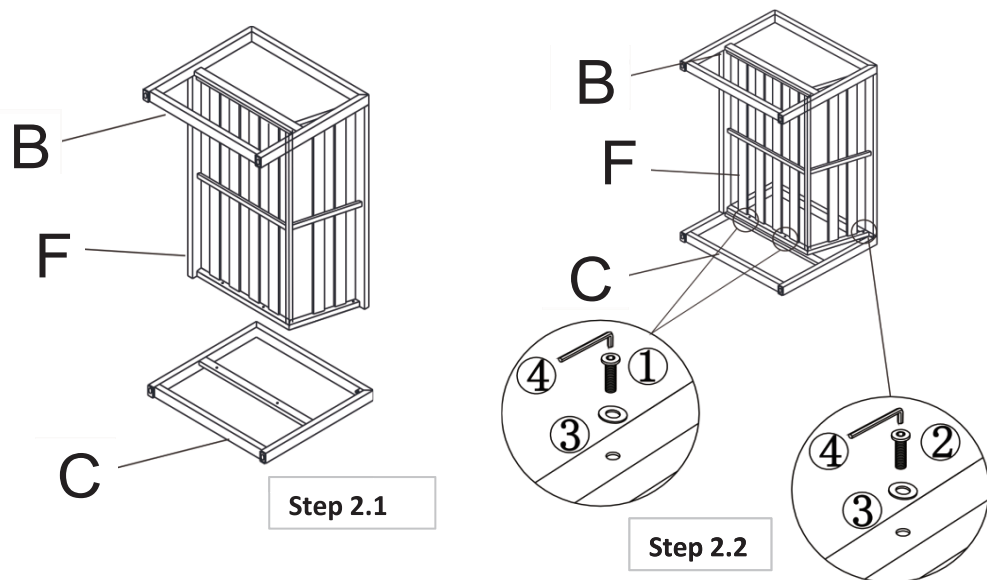
1.1) Align Seat(F) to Right Armrest(B) as shown above.

1.2) Attach Seat(F) to Right Armrest(B) using Bolts(①), and Washers(③) with Allen Wrench(④) as shown above.

Attach Seat(F) to Right Armrest(B) using Bolt(②), and Washer(③) with Allen Wrench(④) as shown above.

Tighten the Bolts fully in a sequential manner.

Step 2



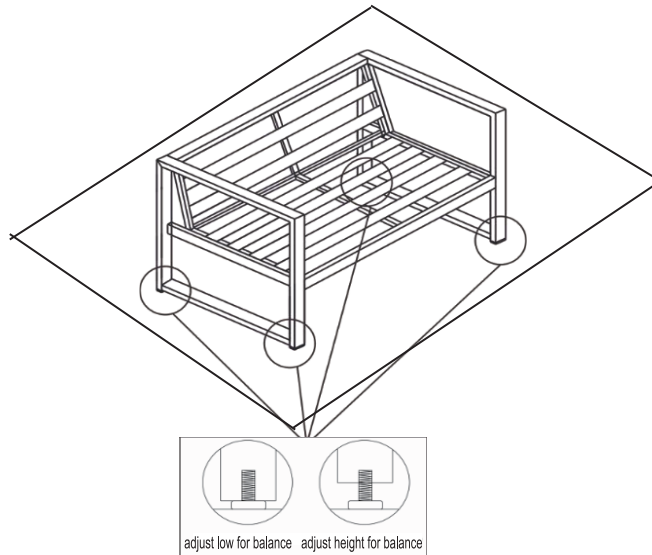
2.1) Align Seat(F) to Left Armrest(C) as shown above.

2.2) Attach Seat(F) to Left Armrest(C) using Bolts(①), and Washers(③) with Allen Wrench(④) as shown above.

Attach Seat(F) to Left Armrest(C) using Bolt(②), and Washer(③) with Allen Wrench(④) as shown above.

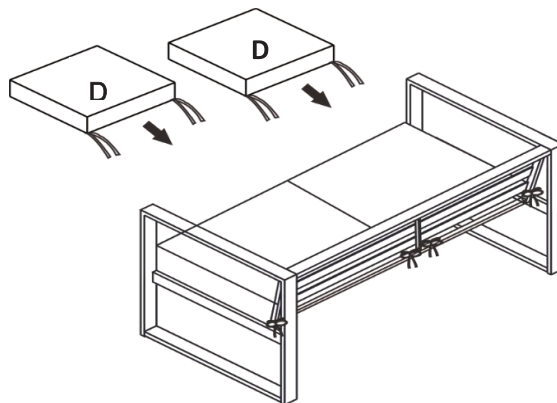
Tighten the Bolts fully in a sequential manner.

Step 3



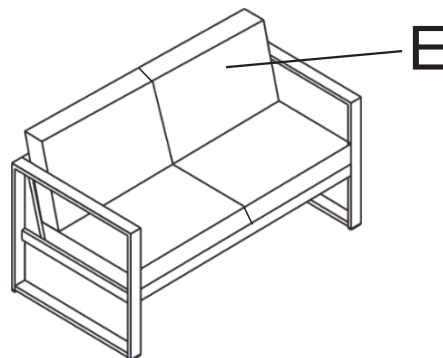
Then, with the assistance from an adult partner, stand the Loveseat upright. Adjust the Pre-installed Levellers until the Loveseat is level with the ground. To adjust the Levellers, with assistance from an adult partner, tilt the Loveseat to rest on two feet. Adjust the levellers to the desired height until the Loveseat is level.

Step 4



Place the Seat Cushions(D) on the Seat(F).
Tie the rope to the Seat(F).

Step 5











Place the Back Cushions(E) on the Loveseat.
Your Loveseat is ready for use.


This Loveseat can only be used on a flat and level surface.

Assembly Instructions

Caution : You must read this before you proceed

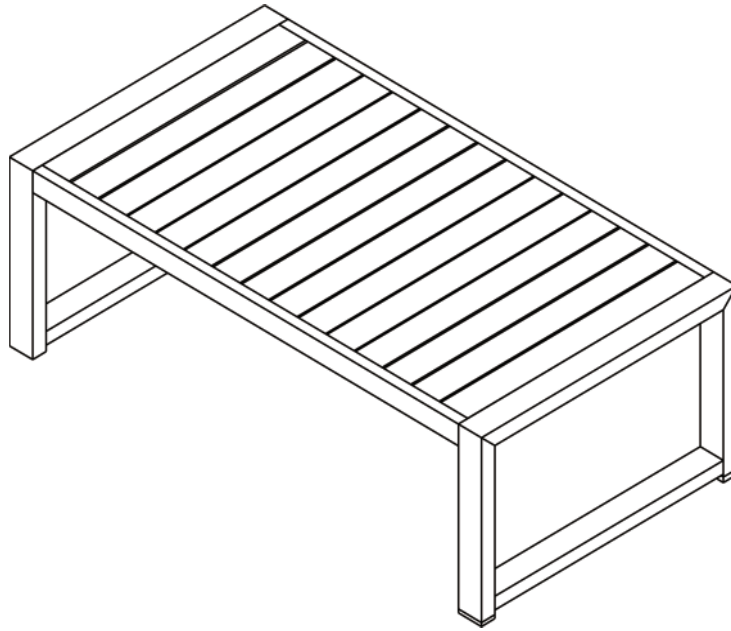
Care & Maintenance

- ⊘  ● Not for commercial use. For residential use only.
- ⊘  ● Do not put hot items directly on furniture surface.
- ⊘  ● Do not clean furniture with harsh cleansers or polish.
- ✓  ● To obtain the longest lifespan of your outdoor products, minimizing exposure to direct sunlight is recommended.
- ⊘  ● Children should not climb or jump on the furniture.
- ⊘  ● Do not write on furniture without a padded barrier to protect the surface.
- ✓  ● To obtain the longest lifespan of your outdoor products, avoid extended and lengthy exposure to rain, snow, and direct sunshine. Whenever possible cover the product and /or place under patio or awnings.
- ⊘  ● Stains may be removed with mild soap solution and damp cloth.

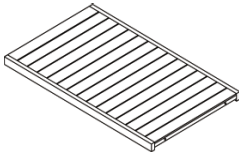
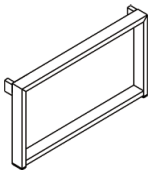
- ✓  ● Dust and pick-up spills using a clean, non-colored, lint-free cloth.

Please look in boxes for hardware packs and legs.
Sets often ship in multiple boxes and may arrive a day or two apart.




Table



Parts List






Label	Picture	Description	QTY
I		Table Top	1
J		Leg with Pre-installed Leveler	2

Hardware

Label	Picture	Description	QTY
①		Bolt (M6*30MM)	5
②		Bolt (M6*25MM)	5
③		Allen Wrench	1

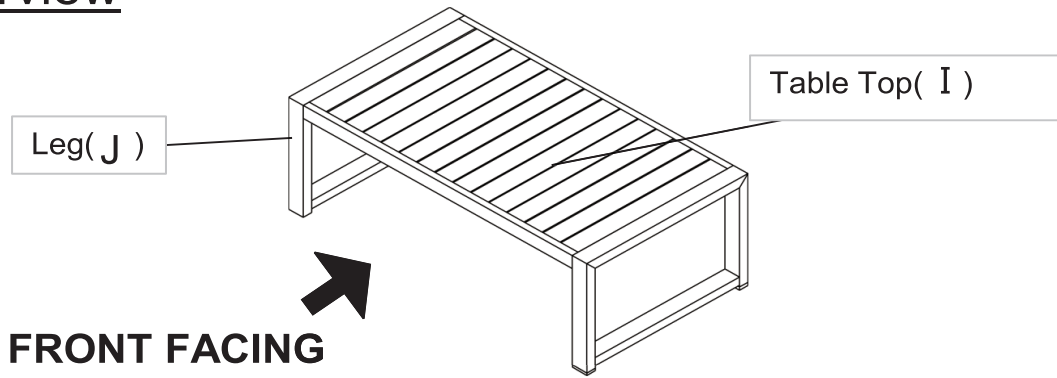
Assembly Preparation

<p>Before Beginning Assembly:</p>	 I	 J x 2	 ① x 5	 ② x 5	 ③
-----------------------------------	--	--	--	--	--

-  • Read instructions, cover to cover-
-  • Have 2 adults on hand for assembly-
-  • Do not assemble on flooring or carpet-
-  • Assemble on a clean non-marring surface (packing foam)-
-  • Save all packaging until finished-

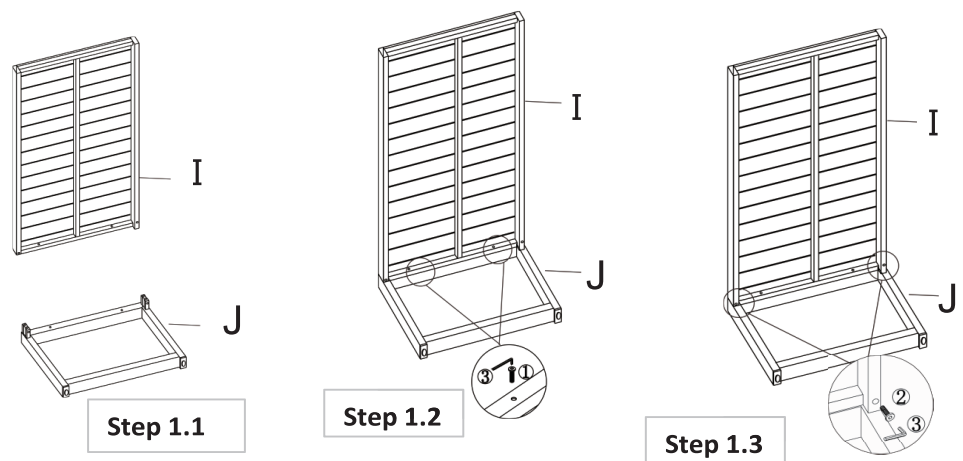
Assembly Steps

Overview



This Table has multiple parts and may require up to 30 minutes to assemble. To give you an overview of the Table parts, the above picture is to help you put the various parts into perspective. Please read through the instructions below to familiarise yourself with the parts and steps before assembly.

Step 1



Open the carton and place all the parts onto a clean, non-marring surface.

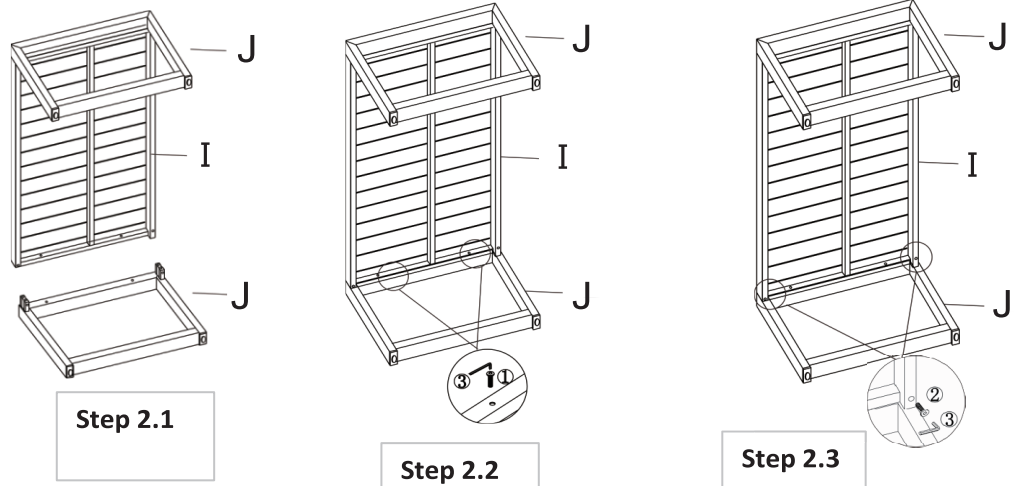
1.1) Align Table Top(I) to Leg(J) as shown above.

1.2) Attach Table Top(I) to Leg(J) using Bolts(①) with Allen Wrench(③) as shown above.

1.3) Attach Table Top(I) to Leg(J) using Bolts(②) with Allen Wrench(③) as shown above.

Tighten the Bolts fully in a sequential manner.

Step 2



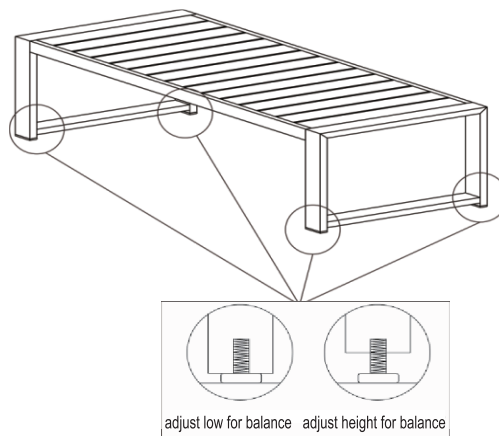
2.1) Align Table Top(I) to Leg(J) as shown above.

2.2) Attach Table Top(I) to Leg(J) using Bolts(①) with Allen Wrench (③) as shown above.

2.3) Attach Table Top(I) to Leg(J) using Bolts(②) with Allen Wrench (③) as shown above.

Tighten the Bolts fully in a sequential manner.

Step 3



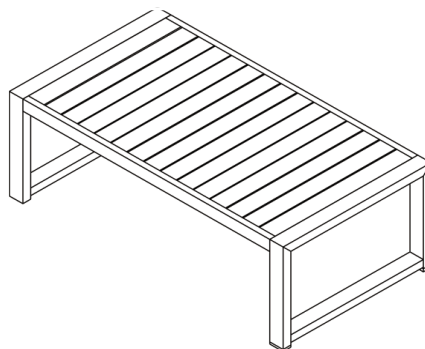
Then, with the assistance from an adult partner, stand the Table upright.

Adjust the Pre-installed Levellers until the Table is level with the ground.

To adjust the Levellers, with assistance from an adult partner, tilt the Table to rest on two feet.

Adjust the levellers to the desired height until the Table is level.

Step 4



Your Table is ready for use.

This Table can only be used on a flat, level surface.