

StyleTM SELECTIONS

STYLE SELECTIONS and logo design are trademarks or registered trademarks of LF, LLC. All rights reserved.

ITEM #5997549
MODEL #GFM60131V

HARD-TOP GAZEBO

Español p. 17

ATTACH YOUR RECEIPT HERE



Serial Number _____

Purchase Date _____

Thank you for purchasing this STYLE SELECTIONS product.
Questions, problems or missing parts?
Before returning, contact us on:
877-888-8225, 8 a.m. - 8 p.m., EST, Monday - Sunday or ascs@lowes.com.

TABLE OF CONTENTS

Package Contents.....	3
Hardware Contents.....	5
Safety Information.....	6
Preparation.....	7
Assembly Instructions.....	8
Care and Maintenance.....	16
Warranty.....	16

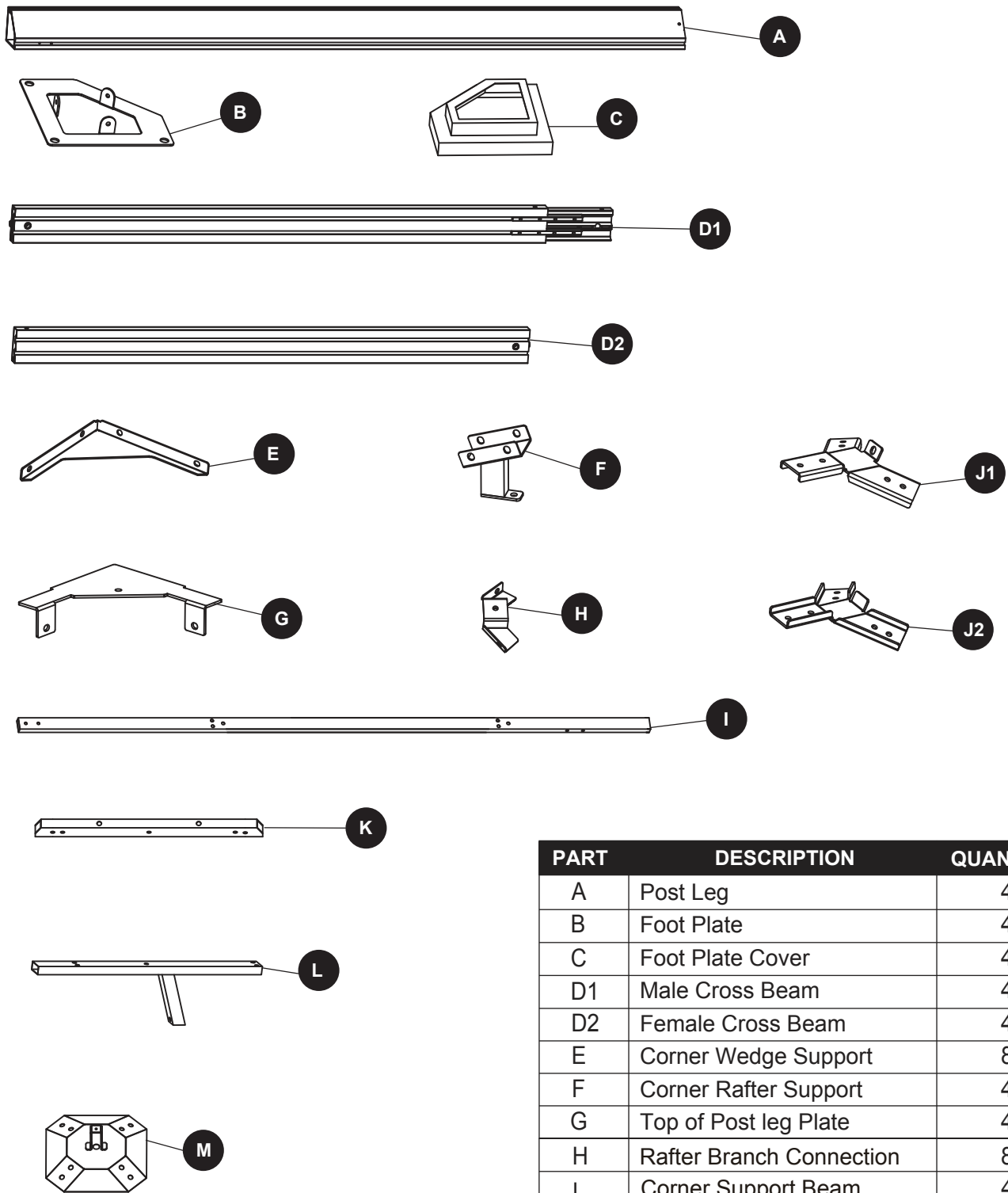
PRODUCT SPECIFICATIONS

SPECIFICATIONS

Dark gray finish frame

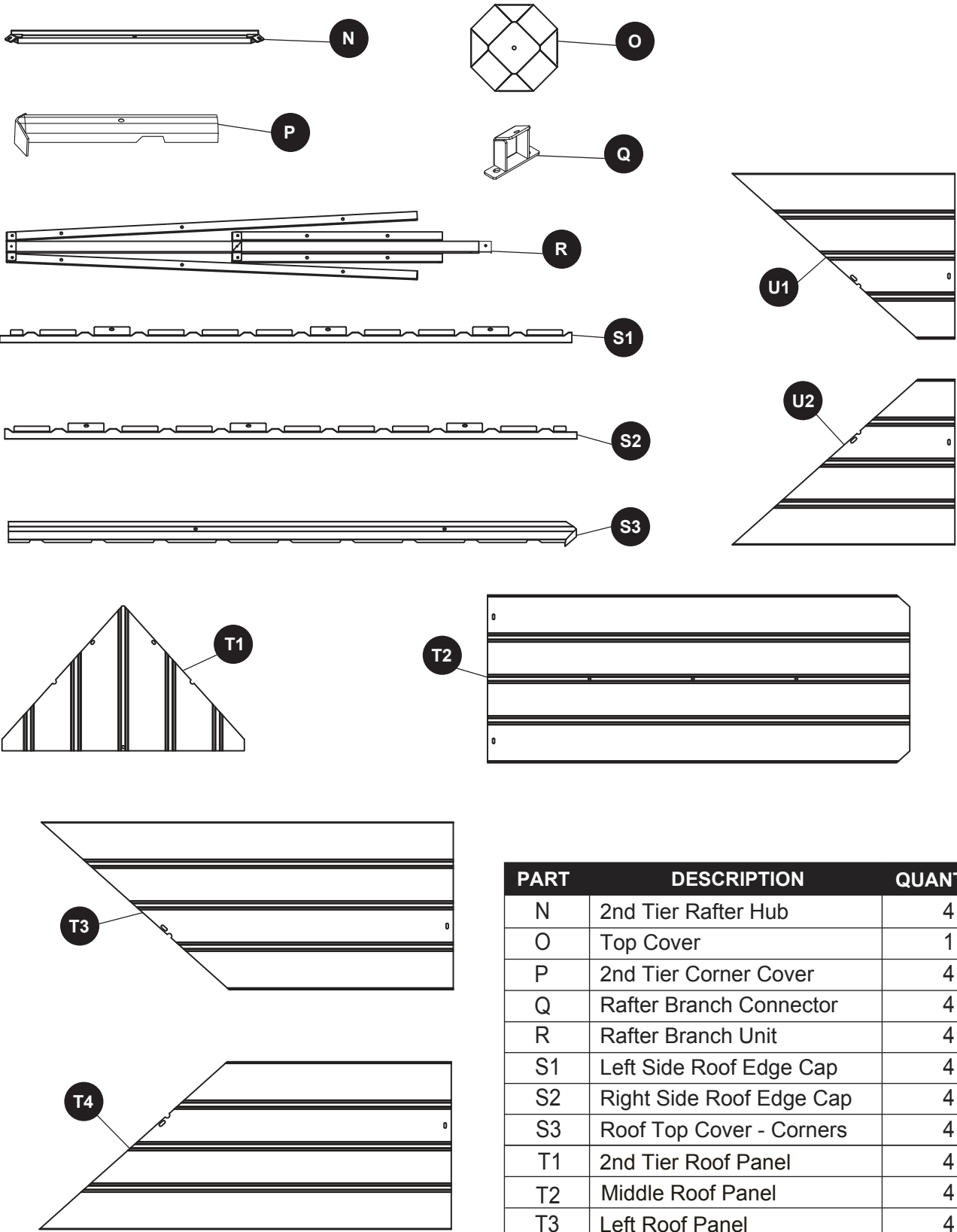
For outdoor use only.

PACKAGE CONTENTS



PART	DESCRIPTION	QUANTITY
A	Post Leg	4
B	Foot Plate	4
C	Foot Plate Cover	4
D1	Male Cross Beam	4
D2	Female Cross Beam	4
E	Corner Wedge Support	8
F	Corner Rafter Support	4
G	Top of Post leg Plate	4
H	Rafter Branch Connection	8
I	Corner Support Beam	4
J1	Connector for Top - 1	4
J2	Connector for Top - 2	4
K	2nd Tier Cross Beam	4
L	2nd Tier Support Beam	4
M	2nd Tier Connection Topper	1

PACKAGE CONTENTS



PART	DESCRIPTION	QUANTITY
N	2nd Tier Rafter Hub	4
O	Top Cover	1
P	2nd Tier Corner Cover	4
Q	Rafter Branch Connector	4
R	Rafter Branch Unit	4
S1	Left Side Roof Edge Cap	4
S2	Right Side Roof Edge Cap	4
S3	Roof Top Cover - Corners	4
T1	2nd Tier Roof Panel	4
T2	Middle Roof Panel	4
T3	Left Roof Panel	4
T4	Right Roof Panel	4
U1	Left Corner Roof Panel	4
U2	Right Corner Roof Panel	4

HARDWARE CONTENTS (shown actual size)

AA



M6 x 10 mm Bolt
Qty. 32+1

BB



M6 x 15 mm Bolt & M6 Washer
Qty. 121+1

CC



M6 x 35 mm Bolt & M6 Washer
Qty. 40+1

DD



M6 x 55 mm Bolt & M6 Washer
Qty. 8+1

EE



Ø8.8 x 10.5 x M6 x 12 mm Bolt
Qty. 4+1

FF



T-slot Bolt
Qty. 32+1

GG



10 mm Nut with M6 Threads Bolt
Qty. 44+1

HH



Ø6.5 x Ø16 x 1 Washer
Qty. 32+1

II



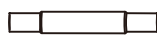
Ø16 x Ø6.5 x 2.5 Washer
Qty. 12+1

JJ



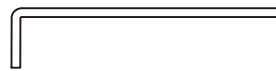
Nut Cap
Qty. 12+1

KK



Stud
Qty. 12+1

LL



Stake
Qty. 12+1

MM



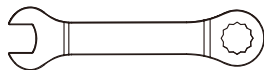
Allen Wrench 1
Qty. 2

NN



Allen Wrench 2
Qty. 1

OO



Open Hex Wrench
Qty. 1

PP



Hook
Qty. 1

SAFETY INFORMATION

Please read and understand this entire manual before attempting to assemble, operate or install the product.

WARNING

Not intended for commercial use. For optimum safety, use on even surface only! Improper use of this product or failure to use or assemble as directed may result in injury. This unit is heavy! Do not assemble this item alone.

CAUTION

Always keep children under close supervision while they are using or around this product. Never leave children unattended.

Do not climb on top of the gazebo. Falling off the gazebo can result in serious injury, possibly even death.

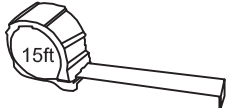
- Two people are required for this assembly.
- Some parts may contain sharp edges. Wear protective gloves if necessary.
- When assembling and using this product, basic safety precautions should always be followed to reduce the risk of personal injury and damage to equipment. Please read all instructions before assembly and usage.
- This product is intended for domestic, outdoor use only.
- The product should be placed on flat, horizontal ground.
- Ensure enough clearance around the product. Before assembling the product, find level ground not less than 6' (1.82 m) away from any structures or obstructions such as fences, garages, houses, overhanging branches, laundry lines, or electrical wires.
- The gazebo must be anchored with stakes onto the ground for added safety. It cannot be permanently attached to a concrete floor or platform. Do not assemble the gazebo on sandy, muddy or loose soil as stakes do not have enough anchorage in these types of soil.
- In case you set up more than one gazebo, keep a minimum distance of 10' (3.04 m) between the gazebos.
- Any assembly or maintenance of the product must be carried out by adults only.
- Arrange necessary manpower when assembling or moving the product.
- Keep children and pets away while setting up the gazebo.
- Check all nuts and bolts periodically for tightness. When required, tighten them again.
- Repairing and replacing parts should be done by a qualified technician.
- This gazebo is intended for decorative and sunshade purposes only, and it is not designed to withstand harsh weather, including high winds, rain, and snow.
- Always ensure that the roof canvas is tensioned to avoid water accumulation on the roof.
- Remove accumulated water on the roof immediately, or disassemble the gazebo in order to avoid damages.
- If the product will not be used for a longer period (e.g., winter time), it should be stored in a clean, dry environment.
- Do not light any fires inside or near the product!
- Stay calm if fire breaks out. Search for the nearest exit. Do not return to the gazebo before firemen allow you to do so.
- Do not hang any weights on the roof frame.
- Do not climb onto the roof of the gazebo. Falling off the gazebo can result in serious injury.
- Retain the original packaging to store the gazebo.

PREPARATION

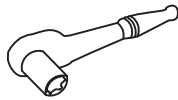
Before beginning assembly of product, make sure all parts are present. Compare parts with package contents list and hardware contents list. If any part is missing or damaged, do not attempt to assemble the product.

Estimated Assembly Time: 160 minutes

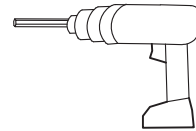
Tools Required for Assembly (not included):



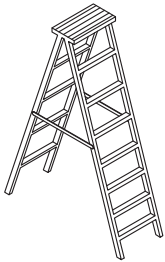
15 ft Tape Measure



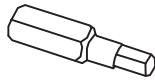
Socket Wrench with 10 mm Socket



Cordless Drill or Driver with 4 mm Allen Head Bit



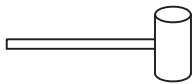
Ladder



4 mm Allen or Hex Bit



Driver Bit Extension (4 in Recommended)



Hammer

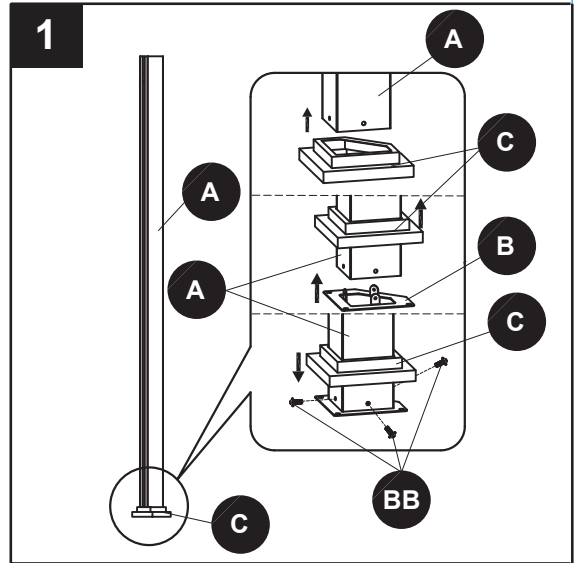
ASSEMBLY INSTRUCTIONS

1. Assemble post leg.

First, insert post leg (A) into foot plate cover (C), then insert foot plate (B) into post leg (A), secure it using (BB). Repeat x 4.

Hardware Used

BB M6 X 15 mm Bolt & M6 Washer  x 12



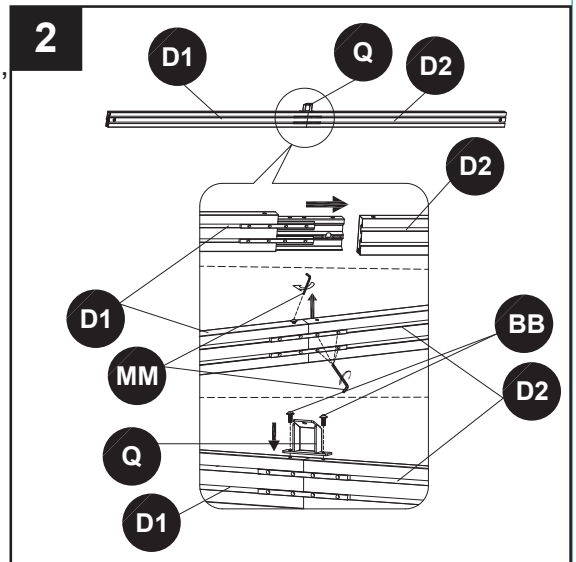
2. Assemble male cross beam and female cross beam.

Install male cross beam (D1) into the female cross beam (D2), connect with the rafter branch connector (Q) and (BB), then tighten with (MM). Repeat x 4.

Hardware Used

BB M6 X 15 mm Bolt & M6 Washer  x 4

MM Allen Wrench 1  x 1

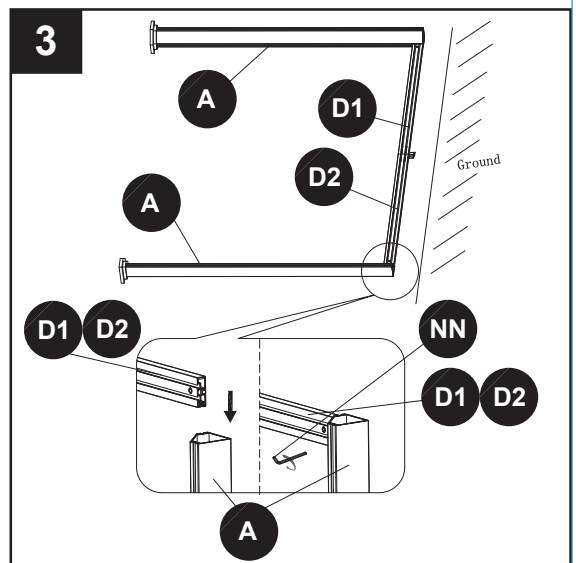


3. Assemble male cross beam and female cross beam.

Place the male cross beam (D1), female cross beam (D2) on post leg (A), secure it with (NN). Repeat x 4.

Hardware Used

NN Allen Wrench 2  x 1

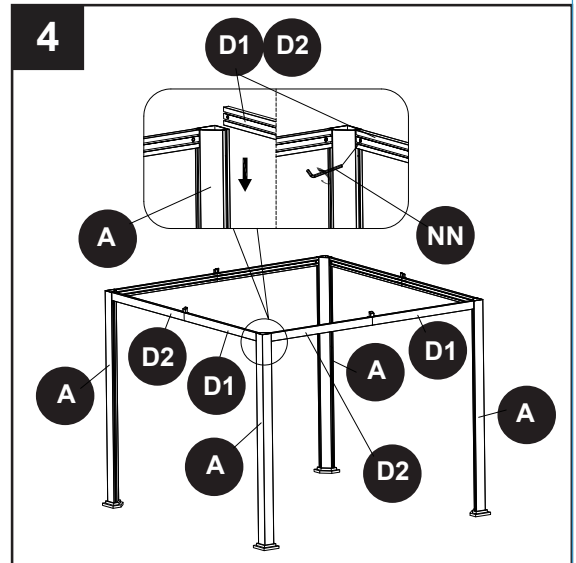


ASSEMBLY INSTRUCTIONS

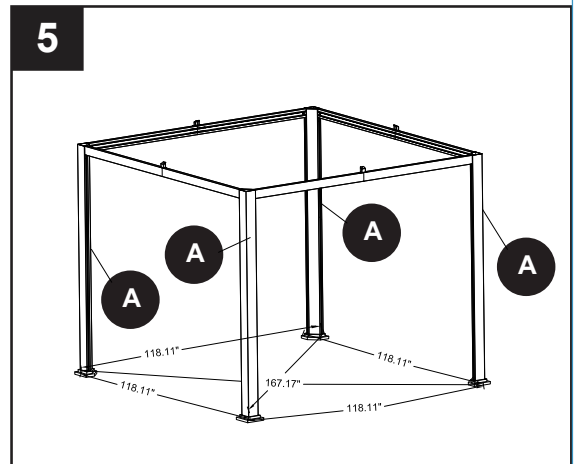
4. Assemble gazebo frame.
Place another two male cross beam (D1) and female cross beam (D2) on post leg (A) to connect the frames from step 4. Finally secure with (NN).
Repeat x 4.

Hardware Used

NN Allen Wrench 2  x 1

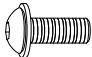

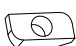



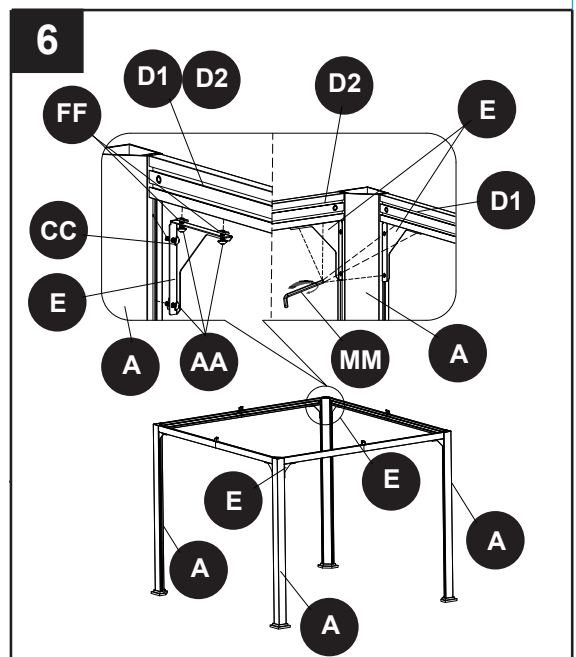
5. IMPORTANT:
Squaring the gazebo frame is a very important step to ensure easier assembly and proper fitment of parts. To do this, measure the distance between the legs from the outside, these measurements should be the same. Adjust legs if they are not.
Once the measurements above are approximately the same, then move on to Step 6.
Note: Install all bolts by hand loosely threaded before fully tightening any bolts.



6. Assemble corner wedge support.
Secure the corner wedge support (E) to the beam (D1) and (D2) by using (AA & CC & FF), then tighten with (MM).
Repeat x 8.

Hardware Used

AA M6 X 10 mm Bolt  x 24
CC M6 X 35 mm Bolt & M6 Washer  x 8
FF T-slot Bolt  x 24
MM Allen Wrench 1  x 1

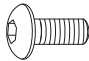
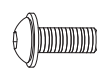




ASSEMBLY INSTRUCTIONS

7. Assemble corner rafter support & top of post leg plate. Secure the corner rafter support (F) on the top of post leg plate (G), then secure to the four post leg (A) by using (AA & BB & FF), then tighten with (MM).

Repeat x 4.

Hardware Used

AA	M6 x 10 mm Bolt		x 8
BB	M6 x 15 mm Bolt & M6 Washer		x 4
FF	T-slot Bolt		x 8
MM	Allen Wrench 1		x 1

8. Secure the post leg to the ground - option 1. Move the gazebo frame to the place where want to place. Lift foot plate cover (C), insert (LL) into the ground. Repeat x 4.

Note: Stake (LL) can only be used with grass or soft ground.

Hardware Used

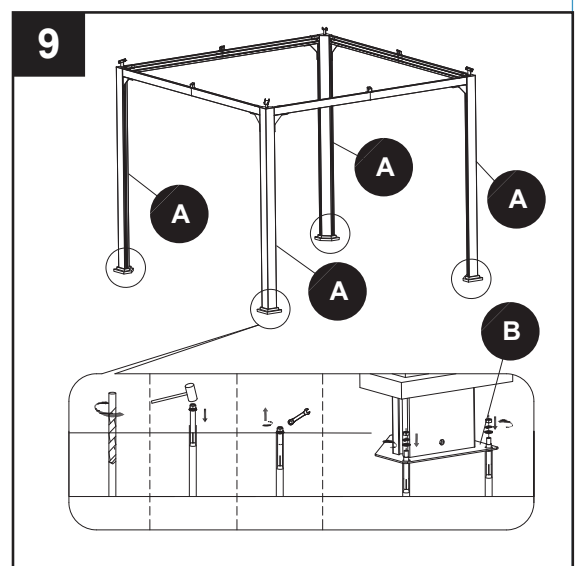
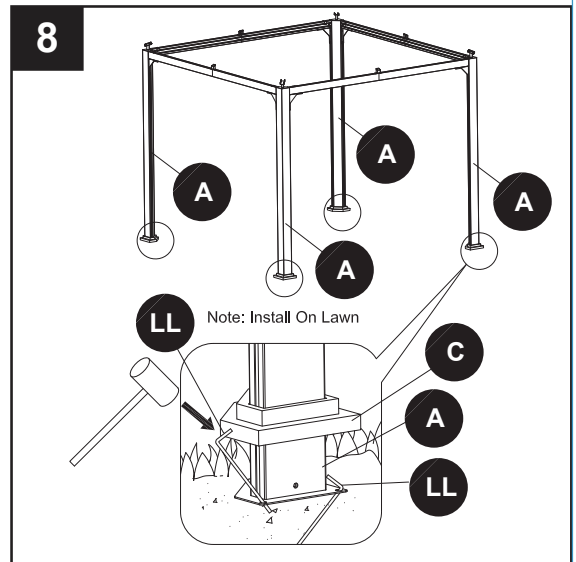
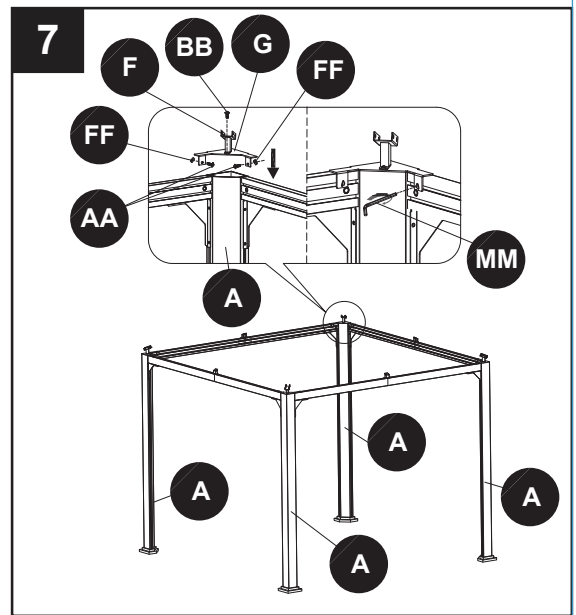
LL	Stake		x 12
-----------	-------	---	------

9. Secure the post leg to the ground - option 2. Install the screw on hard floor. Repeat x 4.

Note: The screw must be purchased by oneself. The quantity required are 12.

Hardware Used

	x 12 (Not included)
---	---------------------



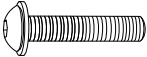


ASSEMBLY INSTRUCTIONS

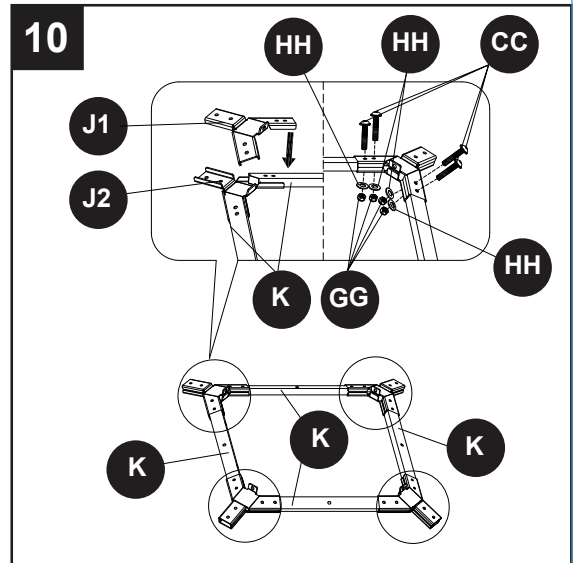
10. Assemble 2nd tier cross beam.

Place 2nd tier cross beam (K) between connector for top - 2 (J2) and connector for top - 1 (J1), secure by using (CC & GG & HH)

Repeat x 4.

Hardware Used

- CC** M6 X 35 mm Bolt & M6 Washer  x 16
- HH** Ø6.5 x Ø16 x 1 Washer  x 16
- GG** 10 mm Nut with M6 Threads Bolt  x 16



11. Assemble corner support beam.

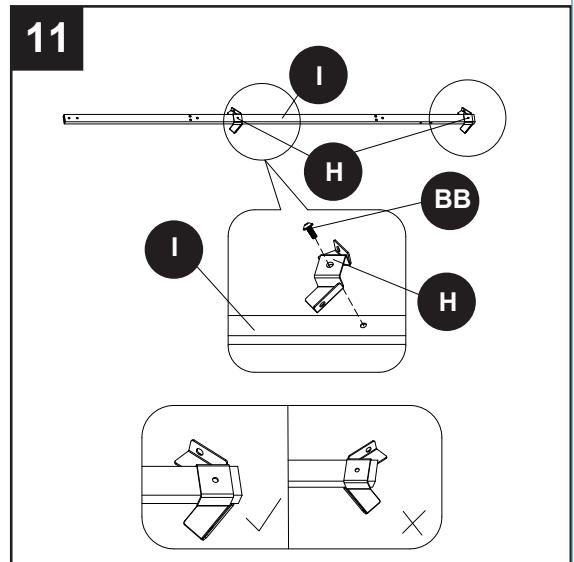
Secure the rafter branch connection (H) to the corner support beam (I) by using (BB).

Repeat x 4.

Note: do not install the part upside down.

Hardware Used

- BB** M6 x 15 mm Bolt & M6 Washer  x 8


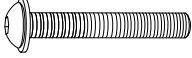




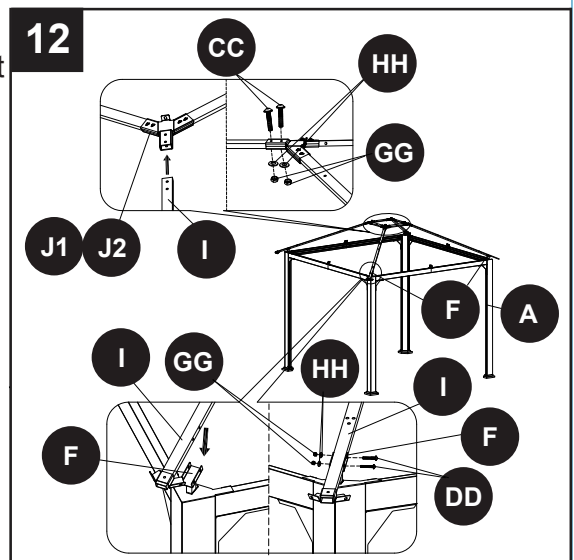
12. Assemble 1st tier.

Place the corner support beam (I) on the corner rafter support (F) and insert another side between connector for top - 1 (J1) and connector for top - 2 (J2), secure by using (CC & HH & GG).

Repeat x 4.

Hardware Used

- CC** M6 x 35 mm Bolt & M6 Washer  x 8
- DD** M6 x 55 mm Bolt & M6 Washer  x 8
- HH** Ø6.5 x Ø16 x 1 Washer  x 16
- GG** 10 mm Nut with M6 Threads Bolt  x 16



ASSEMBLY INSTRUCTIONS

13. Assemble 2nd tier roof.

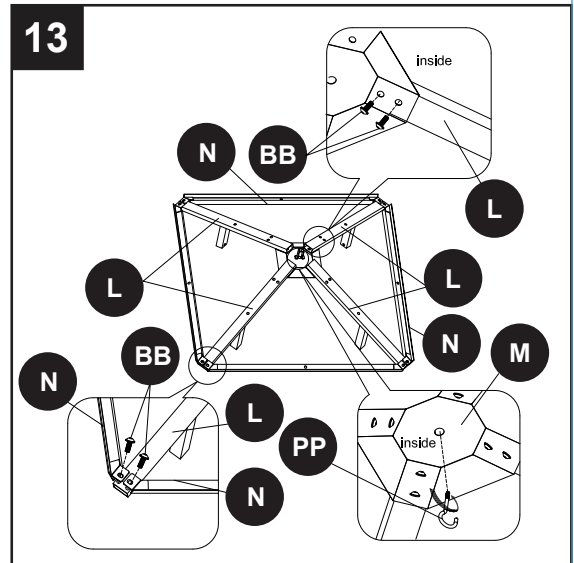
Secure 2nd tier support beam (L) into 2nd tier rafter hub (N), and secure 2nd tier connection topper (M) on the 2nd tier support beam (L), by using (BB), then secure hook (PP) into 2nd tier connection topper (M).

Repeat x 4.

Hardware Used

BB M6 X 15 mm Bolt & M6 Washer  x 16

PP Hook  x 1



14. Assemble 2nd tier roof panel.

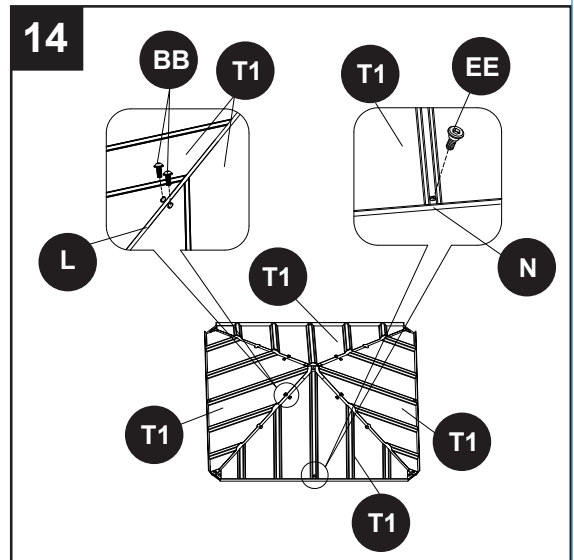
Lay 2nd tier roof panel (T1) on the frame of step 13, secure by using (BB & EE).

Repeat x 4.

Hardware Used

BB M6 X 15 mm Bolt & M6 Washer  x 8

EE Ø8.8 x 10.5 x M6 x 12 mm Bolt  x 4



15. Assemble top cover.

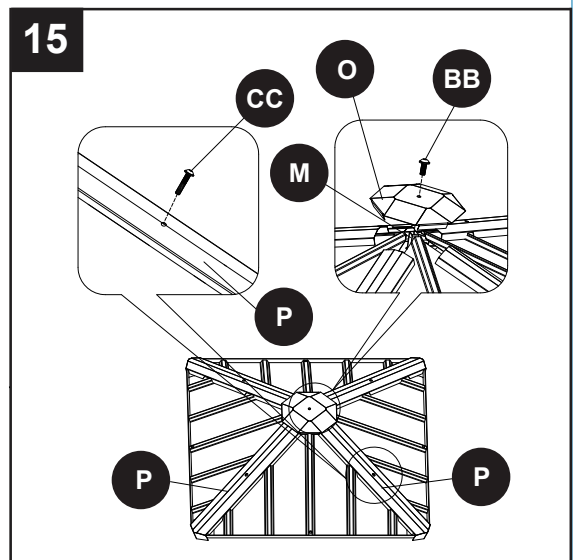
Secure 2nd tier corner cover (P) by using (CC) on the frame of step 14, then secure top cover (O) to the 2nd tier connection top (M) by using (BB).

Repeat x 4.

Hardware Used

CC M6 X 35 mm Bolt & M6 Washer  x 4

BB M6 X 15 mm Bolt & M6 Washer  x 1



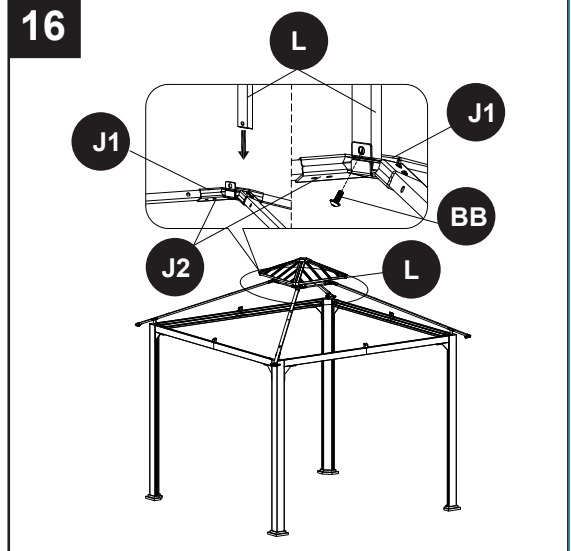
ASSEMBLY INSTRUCTIONS

16. Assemble roof frame.

Put the frame assembled in step 15 on the frame in step 12 and secure it using (BB). Repeat x 4.

Hardware Used

BB M6 X 15 mm Bolt & M6 Washer x 4

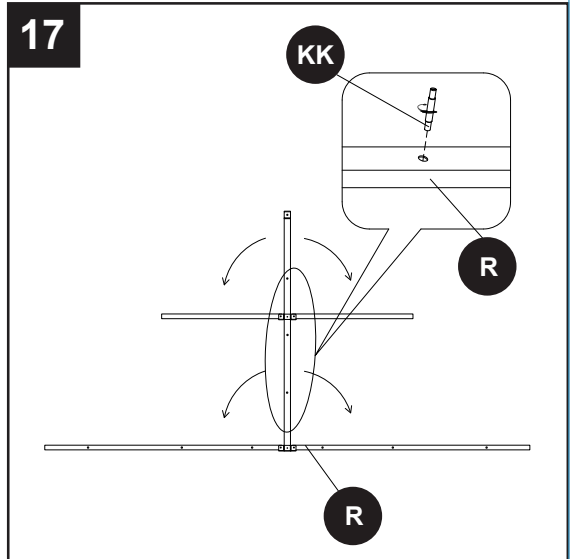
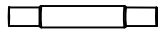


17. Assemble stud.

Unfold rafter branch unit (R) and insert (KK) into rafter branch unit (R). Repeat x 4.

Hardware Used

KK Stud x 12



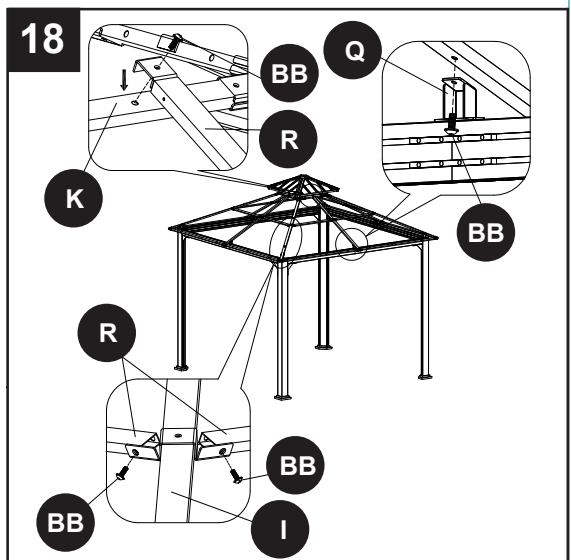
18. Assemble rafter branch unit.

Secure rafter branch unit (R) to the corner support beam (I), 2nd tier cross beam (K) and rafter branch connector (Q) by using (BB).

Repeat x 4.

Hardware Used

BB M6 X 15 mm Bolt & M6 Washer x 24



ASSEMBLY INSTRUCTIONS

Note: Make sure holes at bottom of panels align before tightening fully bolts.

19. Assemble middle roof panel.

Secure the middle roof panel (T2) to the rafter branch unit (R) by using (II & GG & JJ).

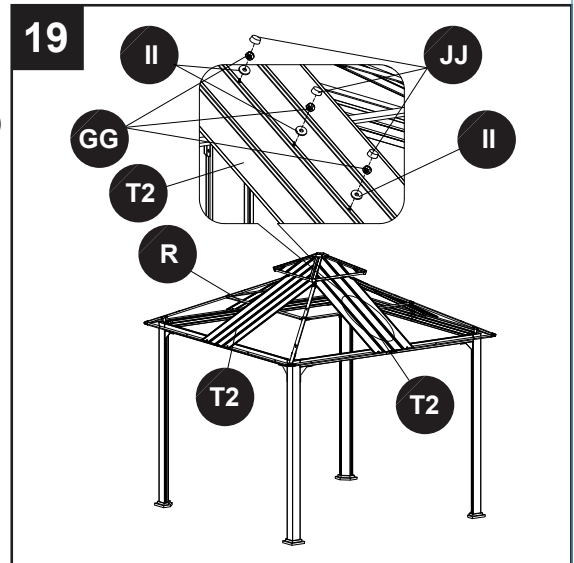
Repeat x 4.

Hardware Used

II Ø16 x Ø6.5 x 2.5 Washer x 12

GG 10 mm Nut with M6 Threads Bolt x 12

JJ Nut Cap x 12



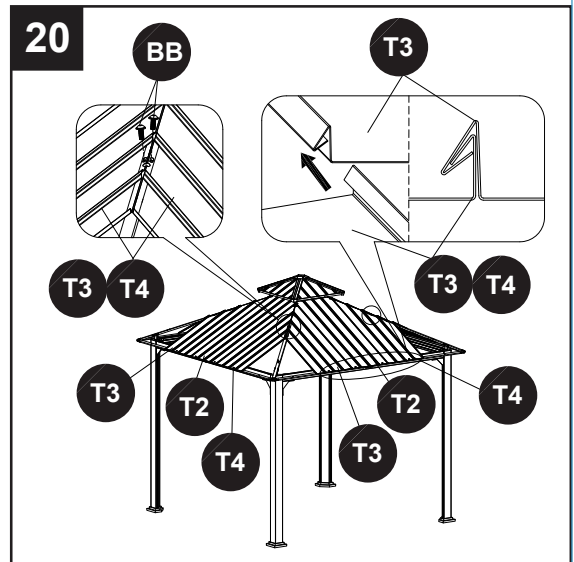
20. Assemble left roof panel and right roof panel.

Install left roof panel (T3) and right roof panel (T4) into the middle roof panel (T2), secure with (BB).

Repeat x 4.

Hardware Used

BB M6 x 15 mm Bolt & M6 Washer x 8



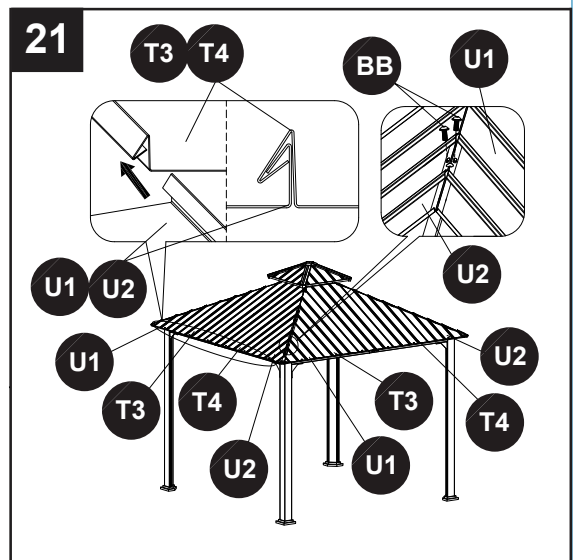
21. Assemble left corner roof panel and right corner roof panel.

Install left corner roof panel (U1) and right corner roof panel (U2) into the left roof panel (T3) and right roof panel (T4), secure with (BB).

Repeat x 8.

Hardware Used

BB M6 x 15 mm Bolt & M6 Washer x 8

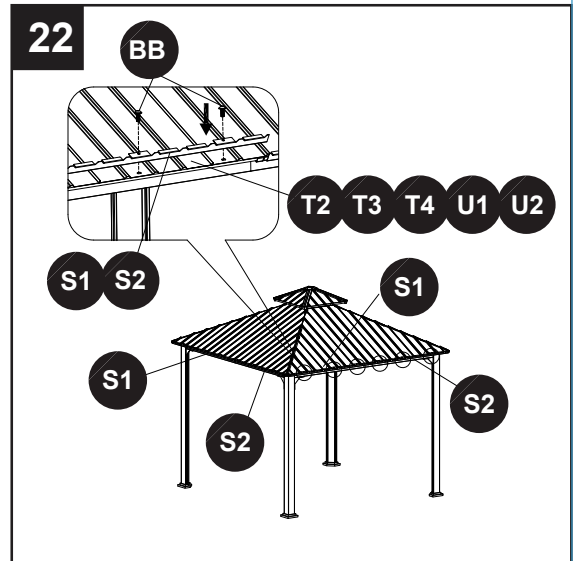


ASSEMBLY INSTRUCTIONS

22. Assemble side roof edge cap.
Install left side roof edge cap (S1) and right side roof edge cap (S2) on roof panel, secure with (BB).
Repeat x 8.

Hardware Used

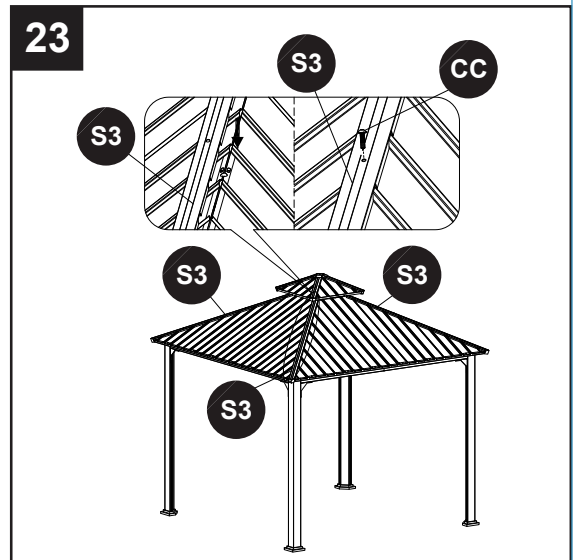
BB M6 X 15 mm Bolt & M6 Washer x 24



23. Assemble roof top cover - corners.
Install roof top cover - corners (S3) on roof panel, secure with (CC).
Repeat x 4.

Hardware Used

CC M6 X 35 mm Bolt & M6 Washer x 4



CARE AND MAINTENANCE

- Before using, clean the product completely with a soft, dry towel.
- When not in use, wipe free of any dirt or loose objects, wash with a mild solution of soap and water, rinse and dry completely.
- Do not use strong detergents or abrasive cleaners.

TROUBLESHOOTING

PROBLEM	POSSIBLE CAUSE	CORRECTIVE ACTION
Frame is unstable.	Hardware may loosen overtime.	Periodically check that all connections are tight.

WARRANTY

This warranty is extended to the original purchaser and applies to defects in materials and workmanship of your patio furniture provided your furniture is maintained with care and used only for personal, residential purposes.

Frames are warranted to be free from defects in material or workmanship for a period of one (1) year.

StyleTM SELECTIONS

STYLE SELECTIONS y el diseño del logotipo son marcas comerciales o marcas registradas de LF, LLC. Todos los derechos reservados.

ARTÍCULO #5997549
MODELO #GFM60131V

GAZEBO CON CUBIERTA RÍGIDA

Inglés 1

ADJUNTE SU RECIBO AQUÍ



Número de serie _____

Fecha de compra _____

Gracias por comprar este producto STYLE SELECTIONS.
¿Preguntas, problemas o piezas faltantes?
Antes de devolver el producto, póngase en contacto con nosotros al
877-888-8225, de lunes a domingo de 8 a.m. a 8 p.m., hora estándar del Este, o
escriba a ascs@lowes.com.

TABLE DE CONTENIDOS

Contenido del paquete.....	19
Contenido de los aditamentos.....	21
Información de seguridad.....	22
Preparación.....	23
Instrucciones de ensamblaje.....	24
Cuidado y mantenimiento.....	32
Garantía.....	32

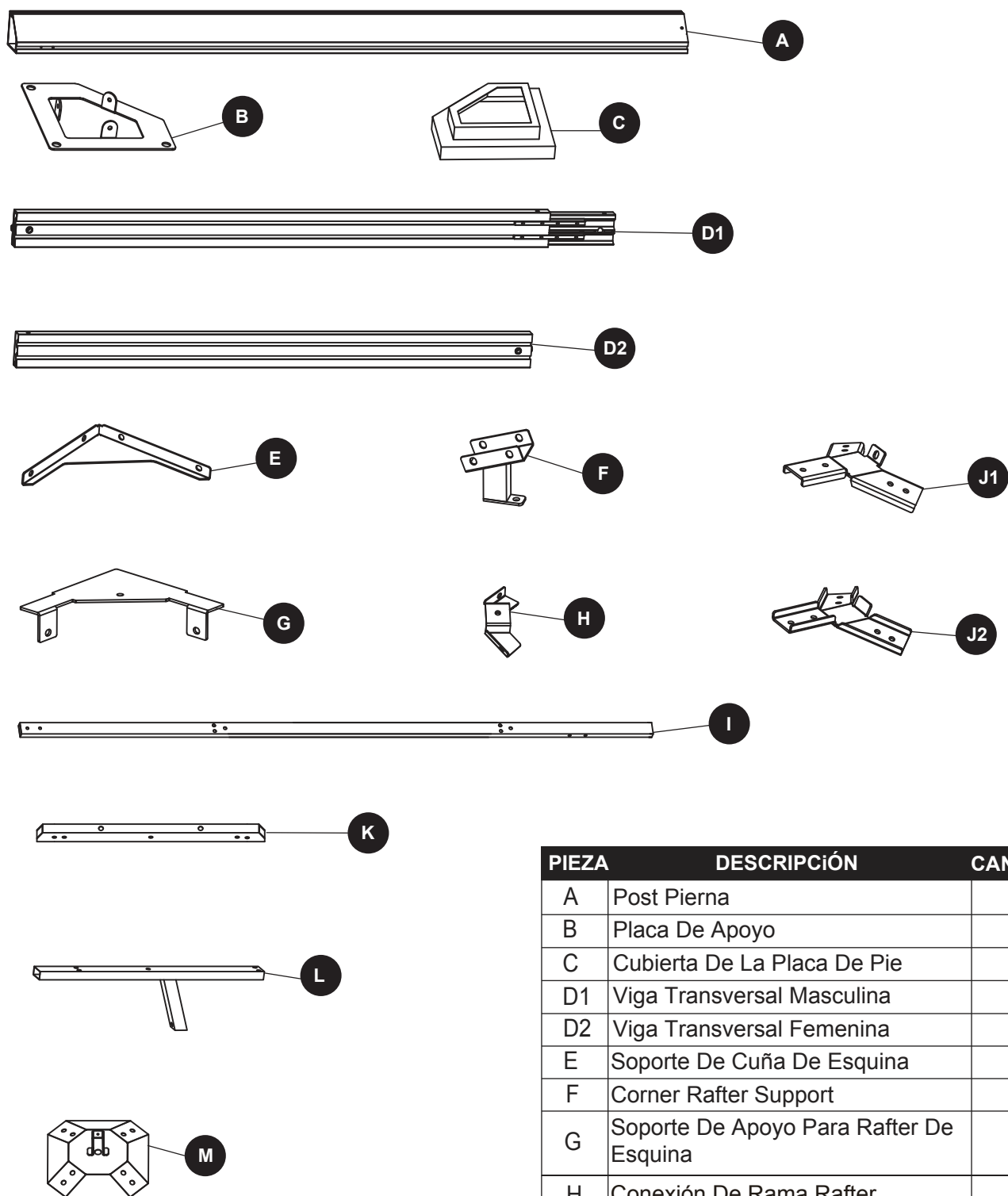
ESPECIFICACIONES DEL PRODUCTO

ESPECIFICACIONES

Marco de acabado de color gris oscuro.

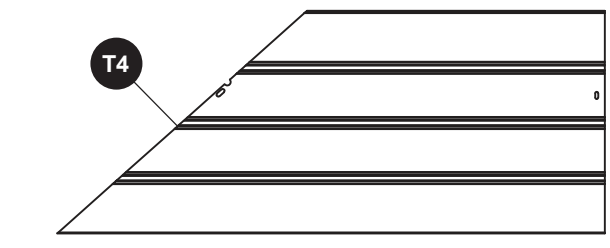
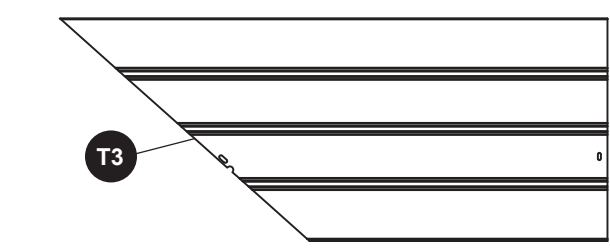
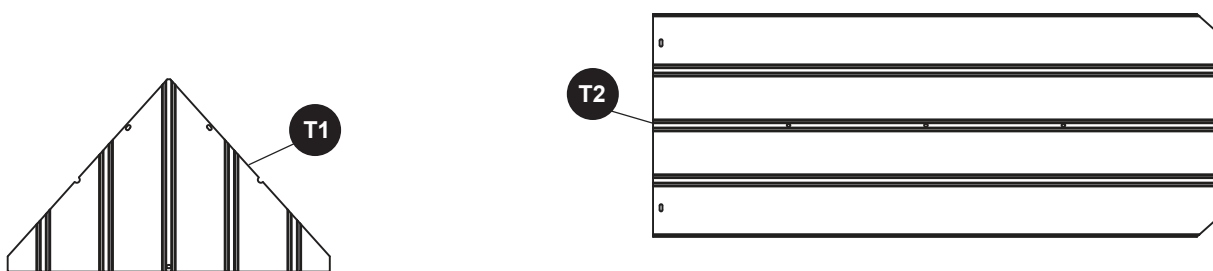
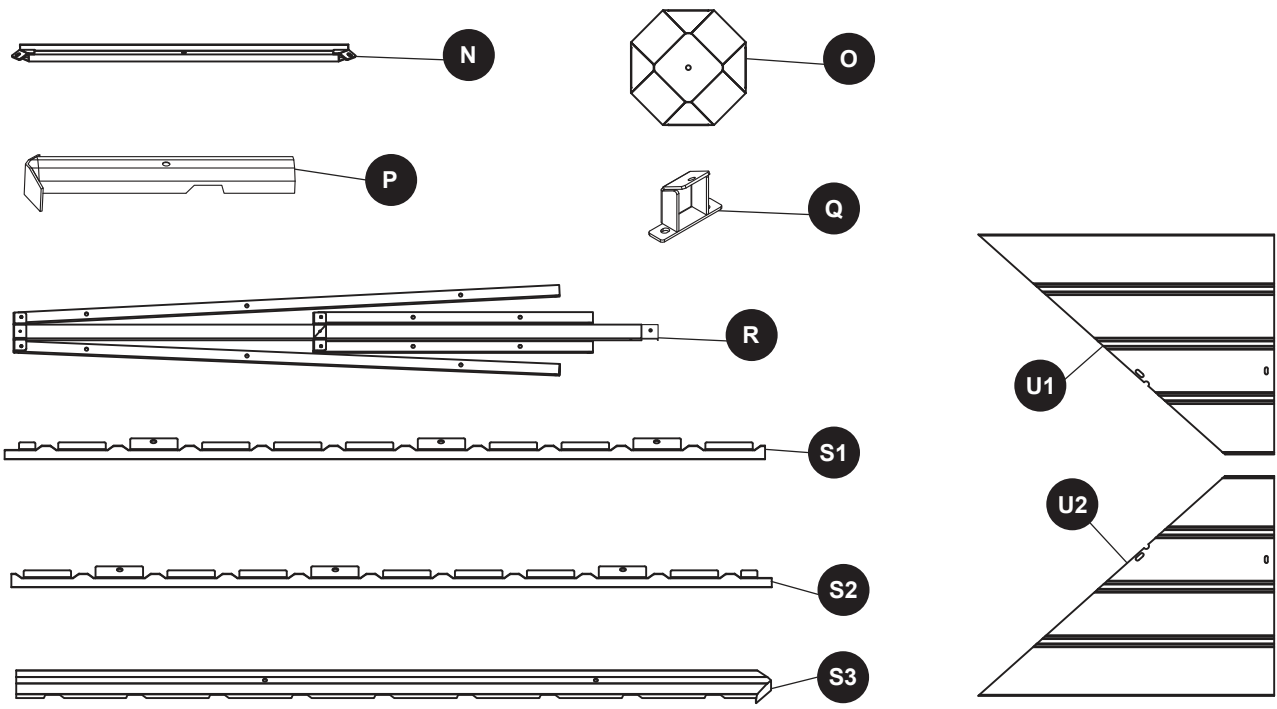
Solo para uso al aire libre.

CONTENIDO DEL PAQUETE



PIEZA	DESCRIPCIÓN	CANTIDAD
A	Post Pierna	4
B	Placa De Apoyo	4
C	Cubierta De La Placa De Pie	4
D1	Viga Transversal Masculina	4
D2	Viga Transversal Femenina	4
E	Soporte De Cuña De Esquina	8
F	Corner Rafter Support	4
G	Soporte De Apoyo Para Rafter De Esquina	4
H	Conexión De Rama Rafter	8
I	Viga De Apoyo De Esquina	4
J1	Conector Para Top - 1	4
J2	Conector Para Top - 2	4
K	Segunda Viga Transversal De Nivel	4
L	Viga De Soporte De Segundo Nivel	4
M	Conexión De Segundo Nivel Topper	1

CONTENIDO DEL PAQUETE



PIEZA	DESCRIPCIÓN	CANTIDAD
N	Segundo Nivel Rafter Hub	4
O	Cubierta Superior	1
P	Cubierta De La Esquina Del Segundo nivel	4
Q	Conector De Rama Rafter	4
R	Unidad Del Ramo De Las Máquinas Lanzador	4
S1	Techo Del Lado Izquierdo	4
S2	Techo Derecho	4
S3	La Cubierta Del Techo-Las Esquinas	4
T1	Panel De Techo De La Segunda Planta	4
T2	Panel De La Azo	4
T3	Panel De Techo Izquierdo	4
T4	Panel De Techo Derecho	4
U1	Panel De Techo De La Esquina Izquierda	4
U2	Panel De Techo De La Esquina Derecha	4

CONTENIDO DE LOS ADITAMENTOS (se muestran en tamaño real)

AA



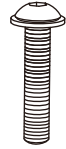
Perno
M6 x 10 mm
Cant. 32+1

BB



Perno
M6 x 15 mm
y arandela M6
Cant. 121+1

CC



Perno
M6 x 35 mm
y arandela M6
Cant. 40+1

DD



Perno
M6 x 55 mm
y arandela M6
Cant. 8+1

EE



Ø8.8 x 10.5 x
M6 x 12 mm
Bolt
Cant. 4+1

FF



Ranura en T
Cant. 32+1

GG



Tuerca De 10 mm
Con Perno De M6
Cant. 44+1

HH



Ø6.5 x Ø16 x 1
y arandela
Cant. 32+1

II



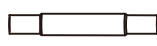
Ø16 x Ø6.5 x 2.5
y arandela
Cant. 12+1

JJ



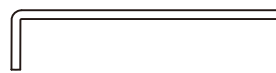
Cascasde
Cant. 12+1

KK



Stud
Cant. 12+1

LL



La apues
Cant. 12+1

MM



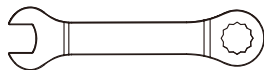
Llave Allen 1
Cant. 2

NN



Llave Allen 2
Cant. 1

OO



Llave Hexagonal Abierta
Cant. 1

PP



Gancho
Cant. 1

INFORMACIÓN DE SEGURIDAD

Lea y comprenda por completo este manual antes de intentar ensamblar, usar o instalar el producto.

ADVERTENCIA

No destinado para uso comercial. Para una seguridad óptima, ¡Úselo sólo en superficies planas! El uso inadecuado de este producto o la falta de uso o montaje según las instrucciones puede resultar en lesiones. ¡Esta unidad es pesada! No monte este artículo solo.

PRECAUCIÓN

Los niños siempre deben estar siempre bajo la supervisión directa de un adulto mientras utilicen este producto o se encuentren cerca de él. Nunca deje a los niños sin supervisión.

No trepe a la parte superior del gazebo. Las caídas desde el gazebo podrían provocar lesiones graves o incluso la muerte.

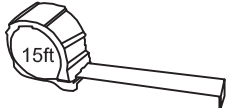
- Se requiere dos personas para realizar este ensamblaje.
- Algunas piezas pueden presentar bordes filosos. Utilice guantes de protección si es necesario.
- Cuando ensamble y use este producto, tome siempre las precauciones de seguridad básicas para reducir el riesgo de lesiones personales y daños al equipo. Lea todas las instrucciones antes de ensamblar y usar.
- Este producto está destinado solo para uso doméstico en exteriores.
- El producto debe colocarse sobre un suelo plano y horizontal.
- Asegúrese de que haya suficiente espacio alrededor del producto. Antes de ensamblar el producto, encuentre un suelo nivelado que esté al menos a 1.82 m de distancia de cualquier estructura u obstrucciones, como cercas, garajes, casas, ramas sobresalientes, cuerdas para ropa o cables eléctricos.
- Para mayor seguridad, el gazebo debe clavarse con estacas al suelo; no se puede fijar permanentemente a un piso o una plataforma de concreto. No ensamble el gazebo en un suelo arenoso, enlodado o suelto, ya que las estacas no se anclarán bien en estos tipos de suelo.
- Si instala más de un gazebo, mantenga una distancia mínima de 3.04 m entre ellos.
- Cualquier ensamblaje o mantenimiento del producto debe estar a cargo únicamente de adultos.
- Reúna a los adultos necesarios para ensamblar o mover el producto.
- Mantenga alejados a los niños y las mascotas mientras instala el gazebo.
- Verifique periódicamente que todas las tuercas y pernos estén apretados. Cuando sea necesario, vuelva a apretarlos.
- Un técnico calificado debe realizar la reparación y el reemplazo de piezas.
- Este gazebo solo se diseñó para fines decorativos y para dar sombra, y no para resistir climas severos, incluyendo vientos fuertes, lluvia y nieve.
- Siempre asegúrese de que la lona del techo esté tensa para evitar la acumulación de agua en el techo.
- Para evitar daños, retire el agua acumulada en el techo inmediatamente, o desensamble el gazebo.
- Si no usará el producto por un periodo prolongado (durante el invierno, por ejemplo), almacénelo en un ambiente seco y limpio.
- No encienda fuego dentro o cerca del producto.
- Mantenga la calma si se produce un incendio. Busque la salida más cercana. No regrese al gazebo antes de que los bomberos se lo permitan.
- No cuelgue ningún peso de la estructura del techo.
- No se suba al techo del gazebo. Caerse del gazebo puede provocar lesiones graves.
- Conserve el empaque original para almacenar el gazebo.

PREPARACIÓN

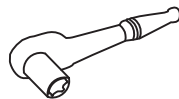
Antes de comenzar a ensamblar el producto, asegúrese de tener todas las piezas. Compare las piezas con la lista del contenido del paquete y la lista del contenido de aditamentos. No intente ensamblar el producto si falta alguna pieza o si alguna se encuentra dañada.

Tiempo estimado de ensamblaje: 160 minutos

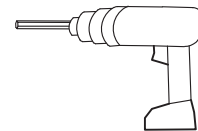
Herramientas necesarias para el montaje (no incluidas):



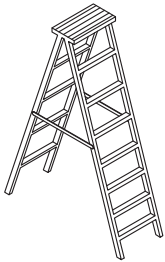
Una cinta de medir de 15 pies



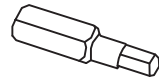
Llave de llave de zócon zóde 10 mm



Taladro o conductor inalámbrico con 4 mm Allen Head Bit



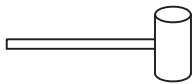
Escalera de escalera



4 mm Allen or Hex Bit



Extensión de Bit del controlador (4 pulgadas recomendado)




El martillo

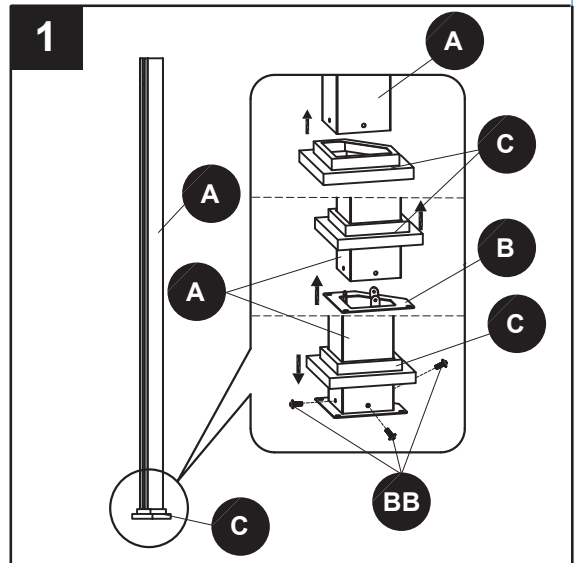
INSTRUCCIONES DE ENSAMBLAJE

1. Ensamble la pata del poste.

Primero, inserte la pata del poste (A) en la cubierta de la placa del pie (C), luego inserte la placa del pie (B) en la pata del poste (A) y asegúrela con (BB).
Repita x 4.

Aditamentos utilizados


BB Perno M6 x 15 mm y arandela M6  x 12



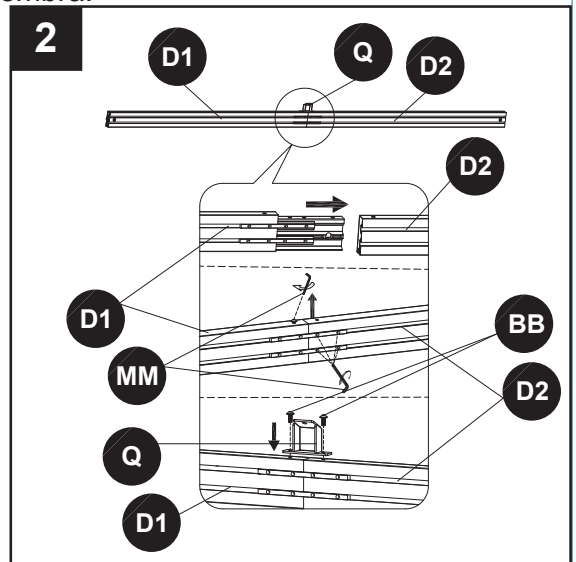
2. Ensamble la viga transversal macho y la viga transversal hembra.

Instale la viga transversal macho (D1) en la viga transversal hembra (D2), conéctela con el conector de derivación del travesaño (Q) y (BB), luego apriete con (MM).
Repita x 4.

Aditamentos utilizados

BB Perno M6 x 15 mm y arandela M6  x 4

MM Llave Allen 1  x 1

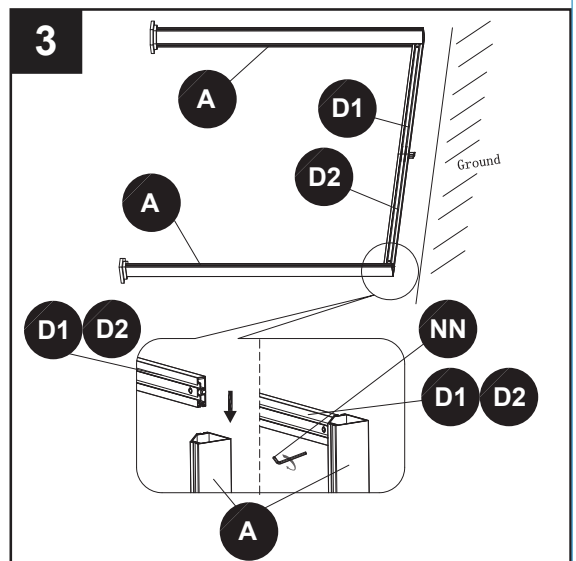


3. Ensamble la viga transversal macho y la viga transversal hembra.

Coloque la viga transversal macho (D1) y la viga transversal hembra (D2) en la pata del poste (A) y fíjelas con (NN).
Repita x 4.

Aditamentos utilizados

NN Llave Allen 2  x 1

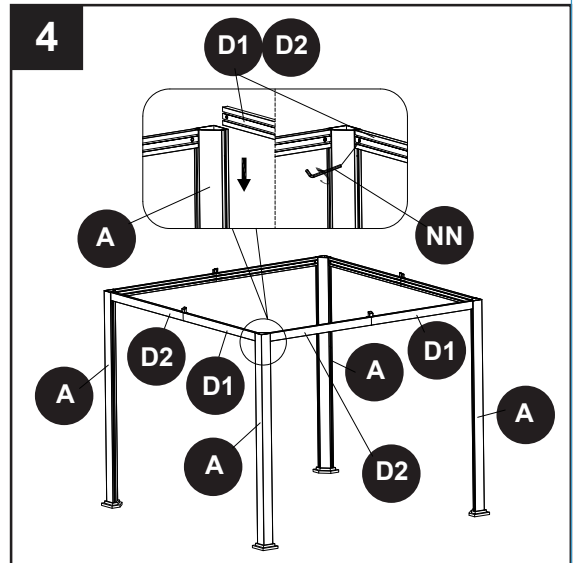


INSTRUCCIONES DE ENSAMBLAJE

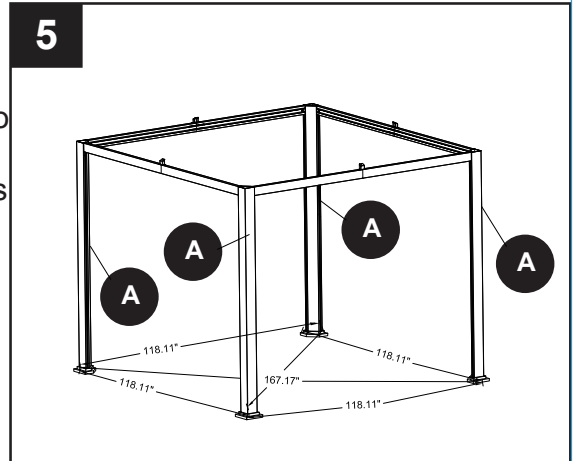
4. Ensamble la estructura del gazebo.
Coloque otras dos vigas transversales macho (D1) y hembra (D2) en la pata del poste (A) para conectar las estructuras del paso 4.
Finalmente, asegure con (NN).
Repita x 4.

Aditamentos utilizados

NN Llave Allen 2  x 1

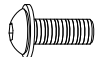
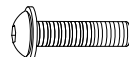
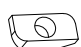



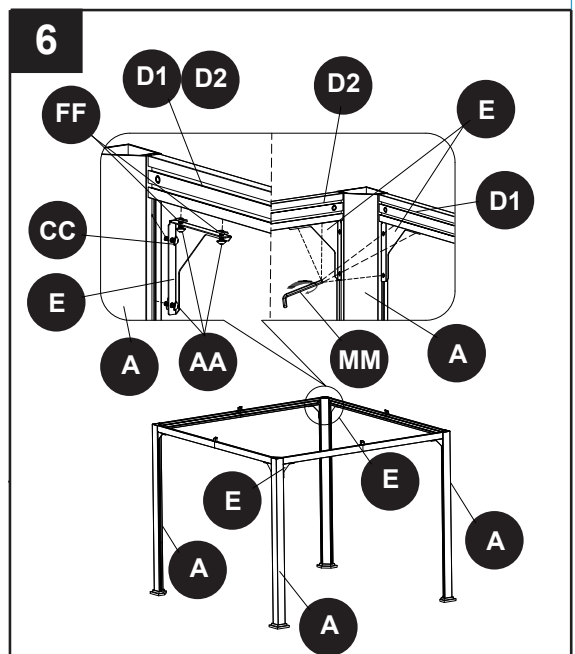
5. **IMPORTANTE:**
Cuadrar la estructura del gazebo es un paso muy importante para garantizar un ensamblaje más fácil y un ajuste adecuado de las piezas. Para ello, mida la distancia entre las patas desde el exterior, estas medidas deben ser iguales. Ajuste las patas si no lo son.
Una vez que las medidas anteriores sean aproximadamente las mismas, pase al Paso 6.
Nota: instale todos los pernos con la mano, enroscándolos ligeramente antes de apretarlos por completo.



6. Ensamble el soporte de cuña de esquina.
Asegure el soporte de cuña de esquina (E) a la viga (D1) y (D2) con (AA, CC y FF), luego apriete con (MM).
Repita x 8.

Aditamentos utilizados

AA Perno M6 x 10 mm  x 24
CC Perno M6 x 35 mm y arandela M6  x 8
FF Ranura en T  x 24
MM Llave Allen 1  x 1

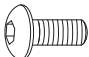
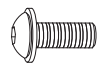




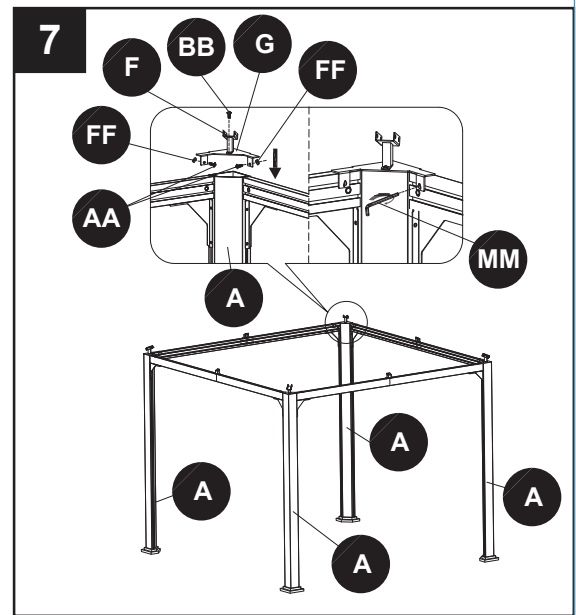
INSTRUCCIONES DE ENSAMBLAJE

7. Ensamble el soporte de la viga de la esquina y la parte superior de la placa de las patas del poste

Asegure el soporte de la viga de la esquina (F) en la parte superior de la placa de las patas del poste (G), luego asegúrelo a las cuatro patas del poste (A) con (AA, BB y FF); a continuación, ajuste con (MM). Repita x 4.

Aditamentos utilizados

AA	Perno M6 x 10 mm		x 8
BB	Perno M6 x 15 mm y arandela M6		x 4
FF	Ranura en T		x 8
MM	Llave Allen		x 1



8. Fije la pata del poste al suelo: opción 1.

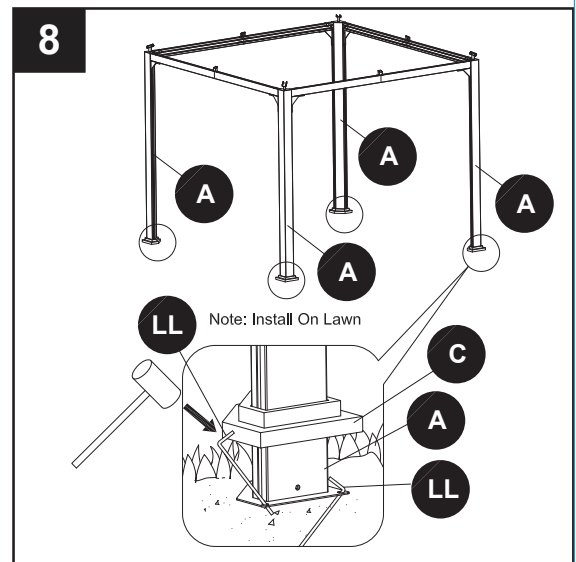
Mueva la estructura del gazebo al lugar donde desee colocarlo. Levante la cubierta de la placa del pie (C) e introduzca (LL) en el suelo.

Repita x 4.

Nota: la estaca (LL) solo se puede utilizar con césped o terreno blando.

Aditamentos utilizados

LL	La apues		x 12
-----------	----------	---	------



9. Fije la pata del poste al suelo: opción 2.

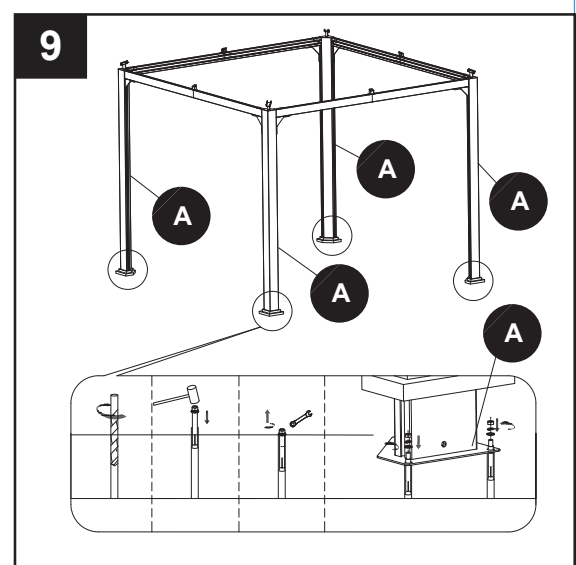
Instale el tornillo en un piso duro.

Repita x 4.

Nota: el usuario debe adquirir el tornillo. La cantidad requerida es 12.

Aditamentos utilizados

	x 12 (No incluido)
---	--------------------






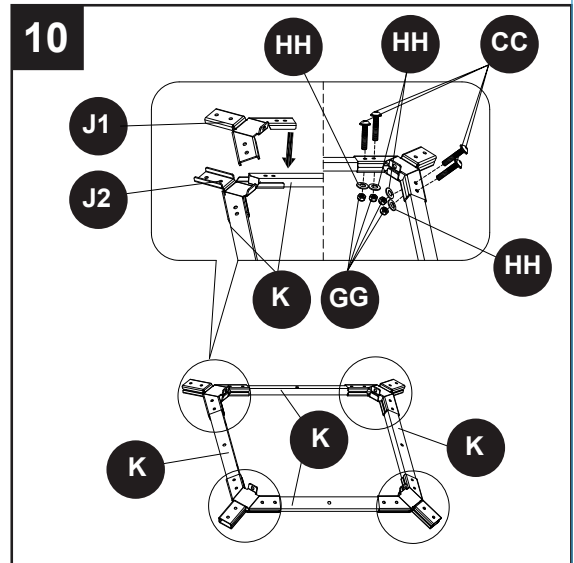
INSTRUCCIONES DE ENSAMBLAJE

10. Ensamble la viga transversal del segundo nivel.

Coloque la viga transversal del segundo nivel (K) entre el conector para la parte superior: 2 (J2) y el conector para la parte superior: 1 (J1), asegúrela con (CC, GG y HH). Repita x 4.

Aditamentos utilizados

CC	Perno M6 x 35 mm y arandela M6		x 16
HH	Ø6.5 x Ø16 x 1 y arandela		x 16
GG	Tuerca de 10 mm con perno de M6		x 16

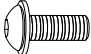


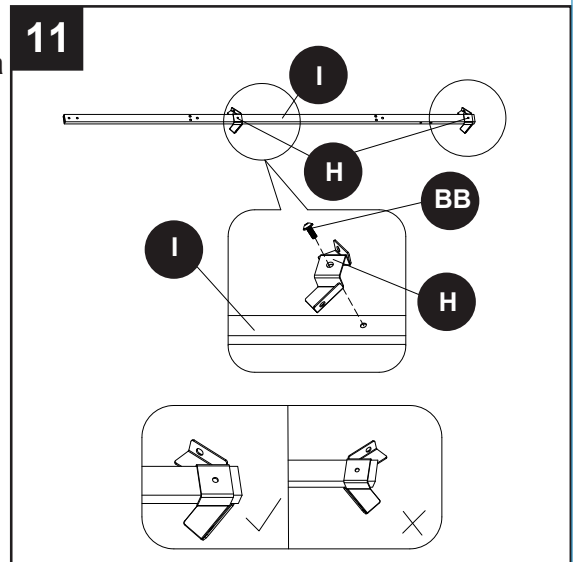
11. Ensamble la viga de soporte de esquina.

Asegure la conexión de derivación del travesaño (H) a la viga de soporte de esquina (I) con (BB). Repita x 4.

Nota: no instale la pieza al revés.

Aditamentos utilizados


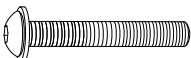


BB	Perno M6 x 15 mm y arandela M6		x 8
-----------	--------------------------------	---	-----

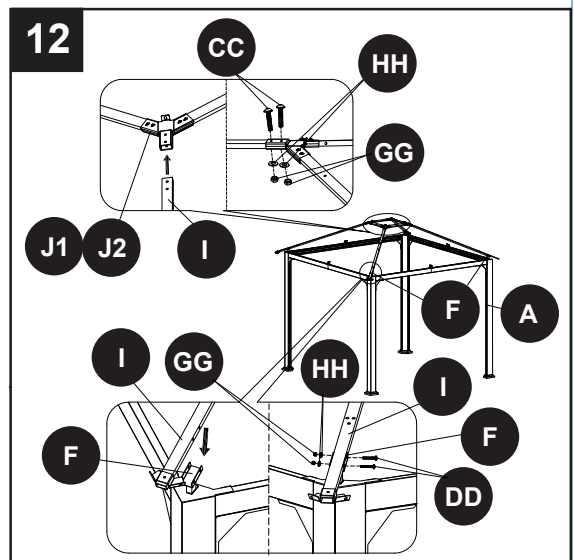


12. Ensamble el primer nivel.

Coloque la viga de soporte de esquina (I) sobre el soporte del travesaño de esquina (F) e inserte el otro lado entre el conector para la parte superior: 1 (J1) y el conector para la parte superior: 2 (J2), asegure con (CC, HH y GG). Repita x 4.

Aditamentos utilizados

CC	Perno M6 x 35 mm y arandela M6		x 8
DD	Perno M6 x 55 mm y arandela M6		x 8
HH	Ø6.5 x Ø16 x 1 y arandela		x 16
GG	Tuerca de 10 mm con perno de M6		x 16

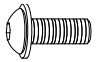
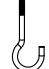


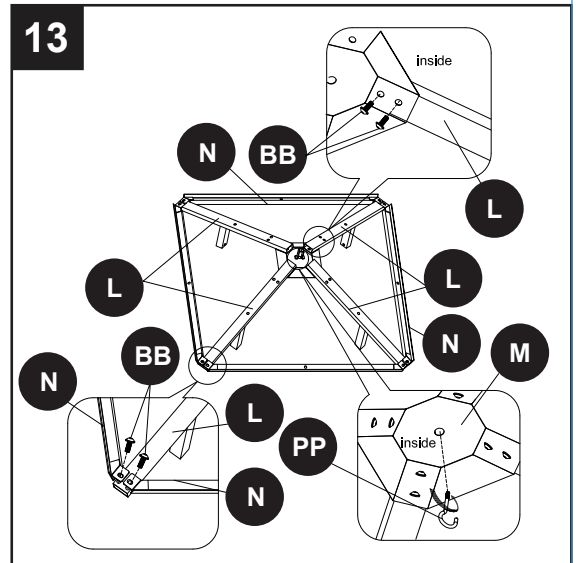
INSTRUCCIONES DE ENSAMBLAJE

13. Ensamble el techo del segundo nivel.

Asegure la viga de soporte del segundo nivel (L) en el eje de la viga del segundo nivel (N) y asegure la parte superior de conexión del segundo nivel (M) en la viga de soporte del segundo nivel (L) con (BB), luego asegure el gancho (PP) en la parte superior de conexión del segundo nivel (M).
Repeat x 4.

Aditamentos utilizados

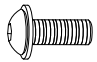
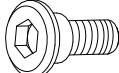
- BB** Perno M6 x 15 mm y arandela M6  x 16
- PP** Gancho  x 1

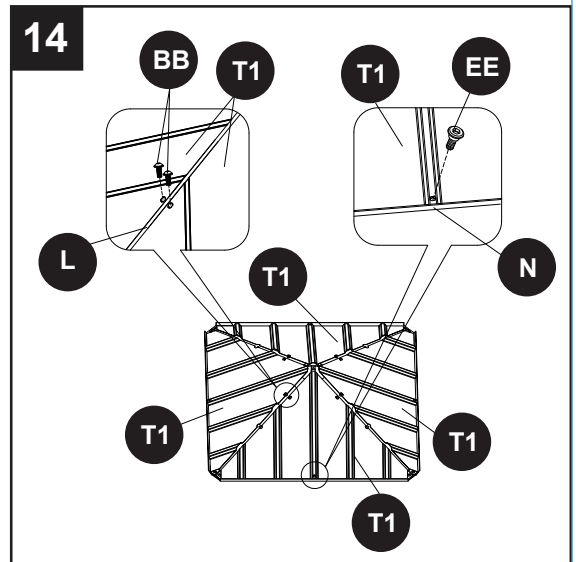


14. Ensamble el panel del techo del segundo nivel.

Coloque el panel del techo del segundo nivel (T1) sobre la estructura del paso 13 y fíjelo con (BB y EE).
Repeat x 4.

Aditamentos utilizados

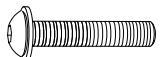
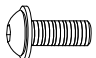
- BB** Perno M6 x 15 mm y arandela M6  x 8
- EE** Perno Ø8.8 x 10.5 x M6 x 12 mm  x 4

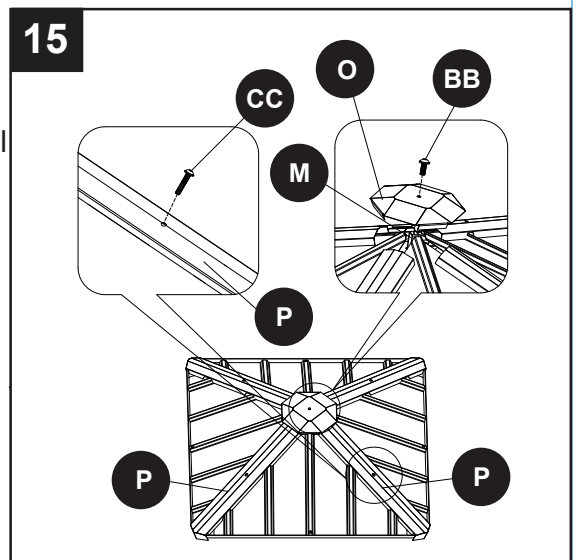


15. Ensamble la cubierta superior.

Asegure la cubierta de la esquina del segundo nivel (P) con (CC) en la estructura del paso 14, luego asegure la cubierta superior (O) a la parte superior de conexión del segundo nivel (M) con (BB).
Repeat x 4.

Aditamentos utilizados

- CC** Perno M6 x 35 mm y arandela M6  x 4
- BB** Perno M6 x 15 mm y arandela M6  x 1

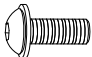


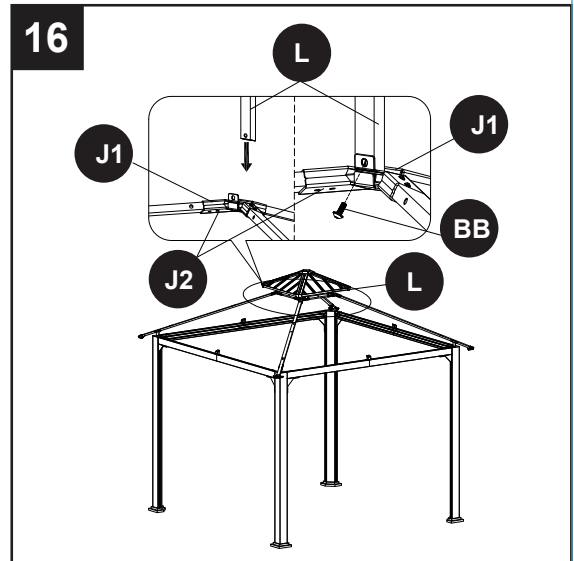
INSTRUCCIONES DE ENSAMBLAJE

16. Ensamble la estructura del techo.

Coloque la estructura ensamblada en el paso 15 sobre la estructura del paso 12 y asegúrela con (BB).
Repita x 4.

Aditamentos utilizados

BB Perno M6 x 15 mm y arandela M6  x 4

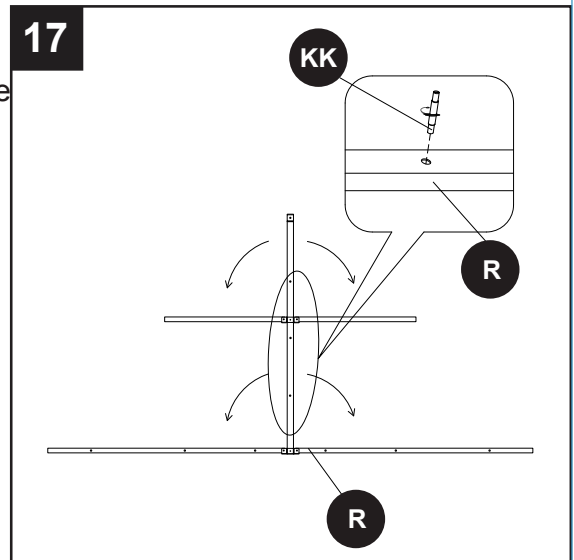


17. Ensamble el montante.

Despliegue la unidad de derivación del travesaño (R) e inserte (KK) en la unidad de derivación del travesaño (R).
Repita x 4.

Aditamentos utilizados

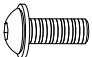
KK Stud  x 12

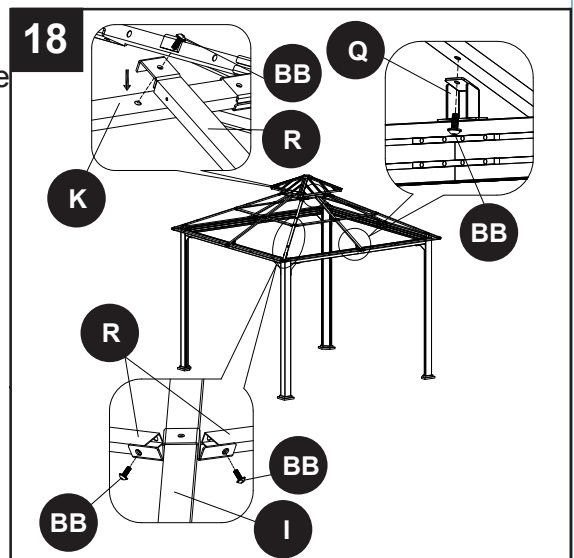


18. Ensamble la unidad de derivación del travesaño.

Asegure la unidad de derivación del travesaño (R) a la viga de soporte de esquina (I), a la viga transversal del segundo nivel (K) y al conector de derivación del travesaño (Q) con (BB).
Repita x 4.

Aditamentos utilizados

BB Perno M6 x 15 mm y arandela M6  x 24



INSTRUCCIONES DE ENSAMBLAJE




Nota: asegúrese de que los orificios en la parte inferior de los paneles estén alineados antes de apretar completamente los pernos.

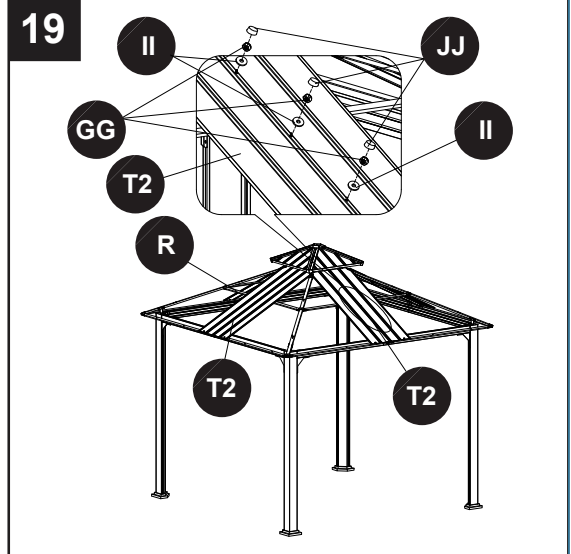
19. Ensamble el panel central del techo.

Asegure el panel central del techo (T2) a la unidad de derivación del travesaño (R) con (II, GG y JJ).

Repita x 4.

Aditamentos utilizados

- II** Ø16 x Ø6.5 x 2.5 Washer  x 12
- GG** 10 mm Nut with M6 Threads Bolt  x 12
- JJ** Nut Cap  x 12

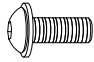


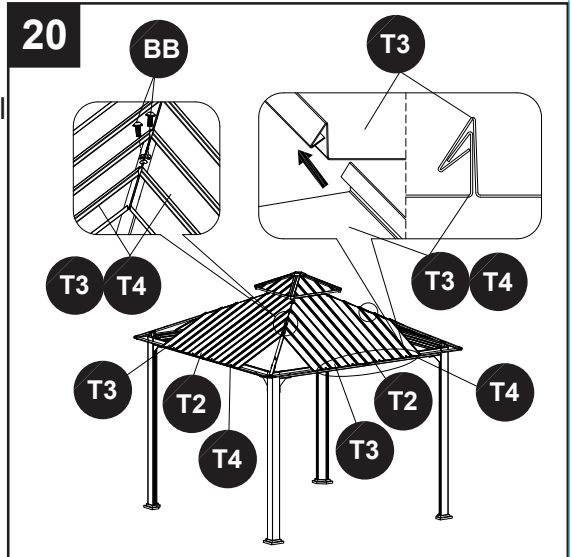
20. Ensamble el panel izquierdo del techo y el panel derecho del techo.

Instale el panel izquierdo del techo (T3) y el panel derecho del techo (T4) en el panel central del techo (T2), asegúrelos con (BB).

Repita x 4.

Aditamentos utilizados

- BB** M6 x 15 mm Bolt y arandela M6  x 8

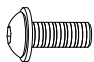


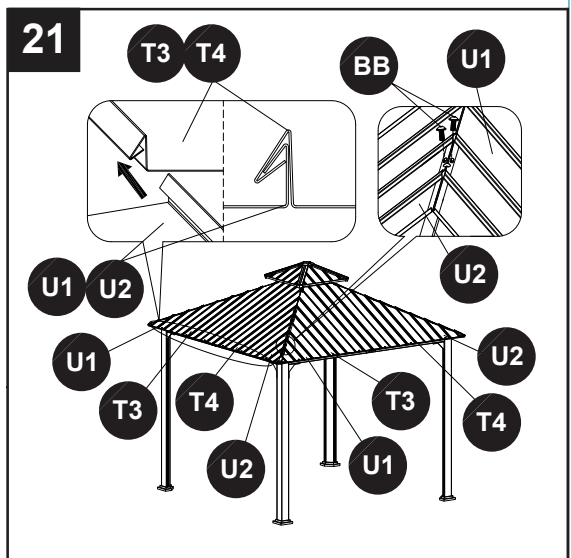
21. Ensamble el panel de la esquina izquierda del techo y el panel de la esquina derecha del techo.

Instale el panel de la esquina izquierda del techo (U1) y el panel de la esquina derecha del techo (U2) en el panel izquierdo del techo (T3) y el panel derecho del techo (T4), asegúrelos con (BB).

Repita x 8.

Aditamentos utilizados

- BB** M6 x 15 mm Bolt y arandela M6  x 8

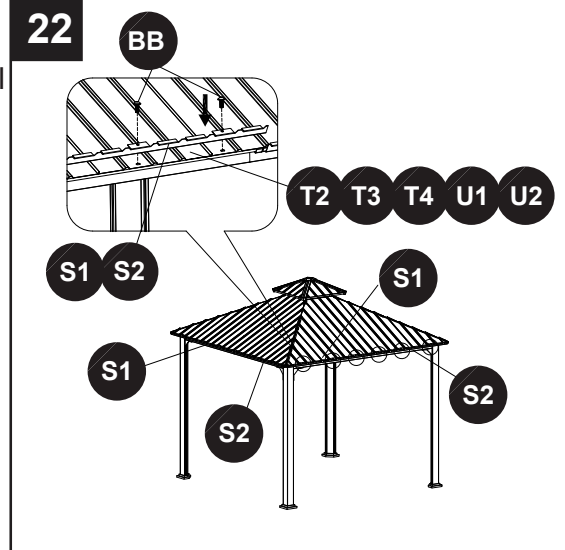


INSTRUCCIONES DE ENSAMBLAJE

22. Ensamble la tapa del borde del techo lateral.
Instale la tapa del borde del techo del lado izquierdo (S1) y la tapa del borde del techo del lado derecho (S2) en el panel del techo, asegúrelas con (BB).
Repita x 8.

Aditamentos utilizados

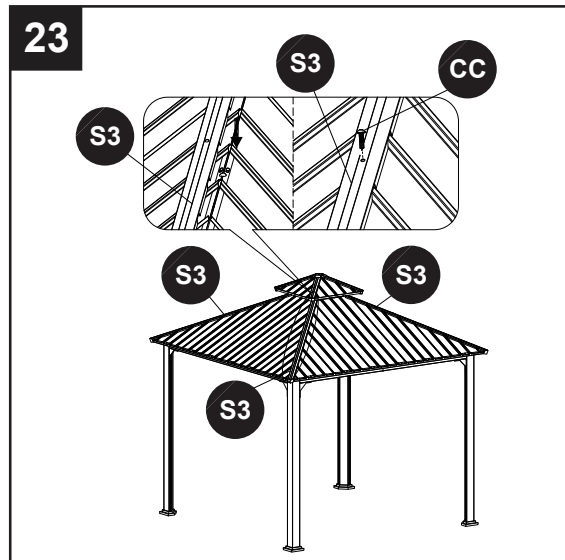
BB Perno M6 x 15 mm y arandela M6 x 24



23. Ensamble la cubierta superior del techo: esquinas.
Instale la cubierta superior del techo: esquinas (S3) en el panel del techo, asegúrela con (CC).
Repita x 4.

Aditamentos utilizados

CC Perno M6 x 35 mm y arandela M6 x 4



CUIDADO Y MANTENIMIENTO

- Limpie el producto con una toalla suave y seca antes de usarlo.
- Cuando no lo use, limpie cualquier resto de suciedad u objetos sueltos, lave con una solución suave de agua y jabón, y enjuague y seque completamente.
- No utilice detergentes fuertes ni limpiadores abrasivos.

SOLUCIÓN DE PROBLEMAS

PROBLEMA	CAUSA POSIBLE	ACCIÓN CORRECTIVA
La estructura es inestable.	Los aditamentos se pueden aflojar con el tiempo.	Verifique periódicamente que todas las conexiones estén apretadas.

GARANTÍA

Esta garantía se extiende al comprador original y se aplica a defectos en los materiales y la mano de obra de sus muebles para patio, siempre que estos se conserven con cuidado y solo se utilicen para fines personales residenciales.

Se garantiza que las estructuras no tendrán defectos en los materiales y la mano de obra durante un (1) año.