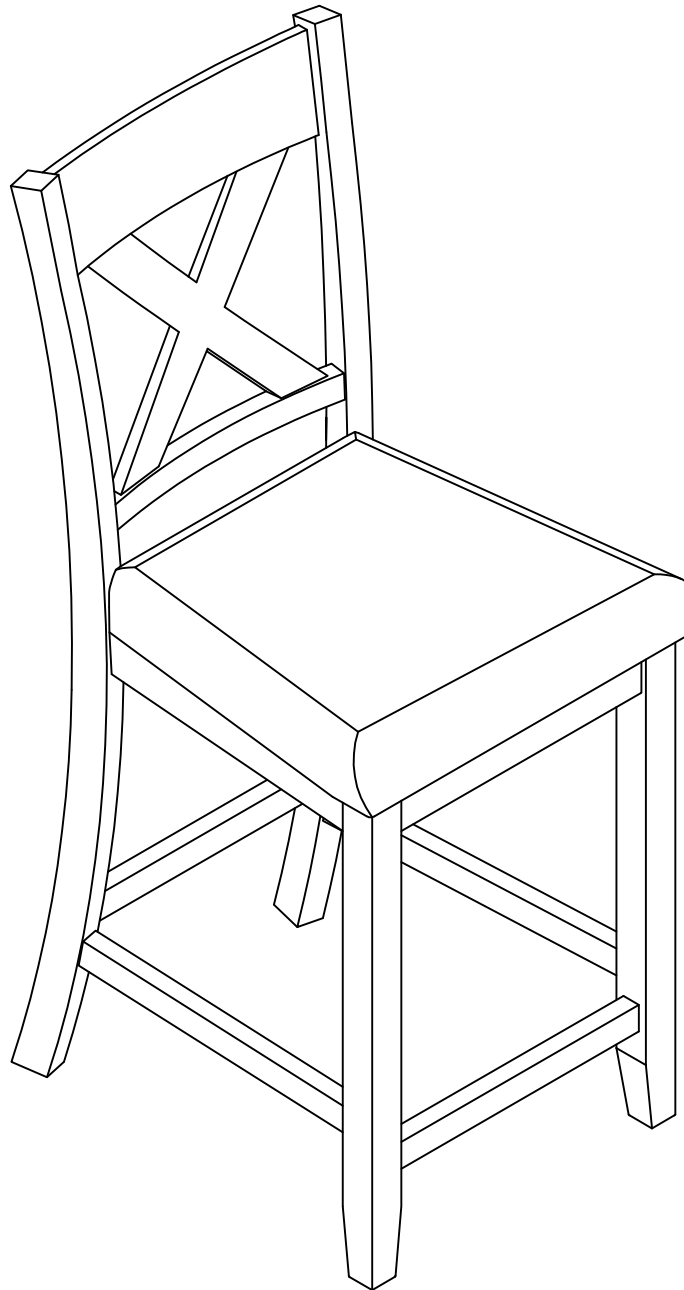


# ASSEMBLY INSTRUCTIONS

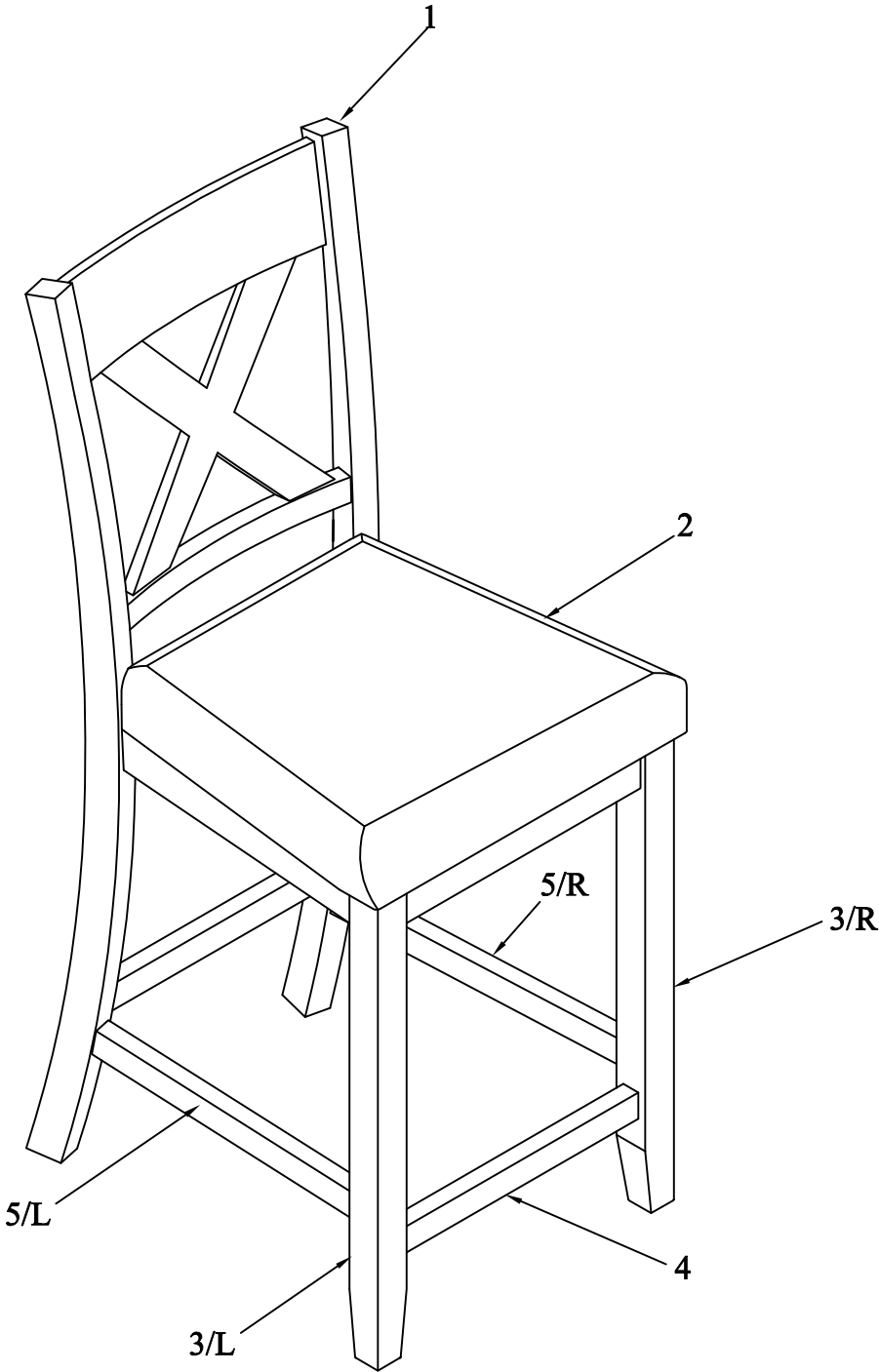
ITEM NO. FB3013CST-PC-4PK  
FB3059HAY-PC-4PK  
FB3041HAY-PC-4PK



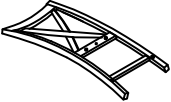
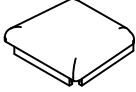
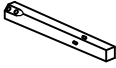

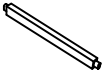
## ASSEMBLY TIPS:

1. Remove hardware from box and sort by size.
2. Please check to see that all hardware and parts are present prior to start of assembly.
3. Please follow attached instructions in the same sequence as numbered to assure fast & easy assembly.








# Exploded View



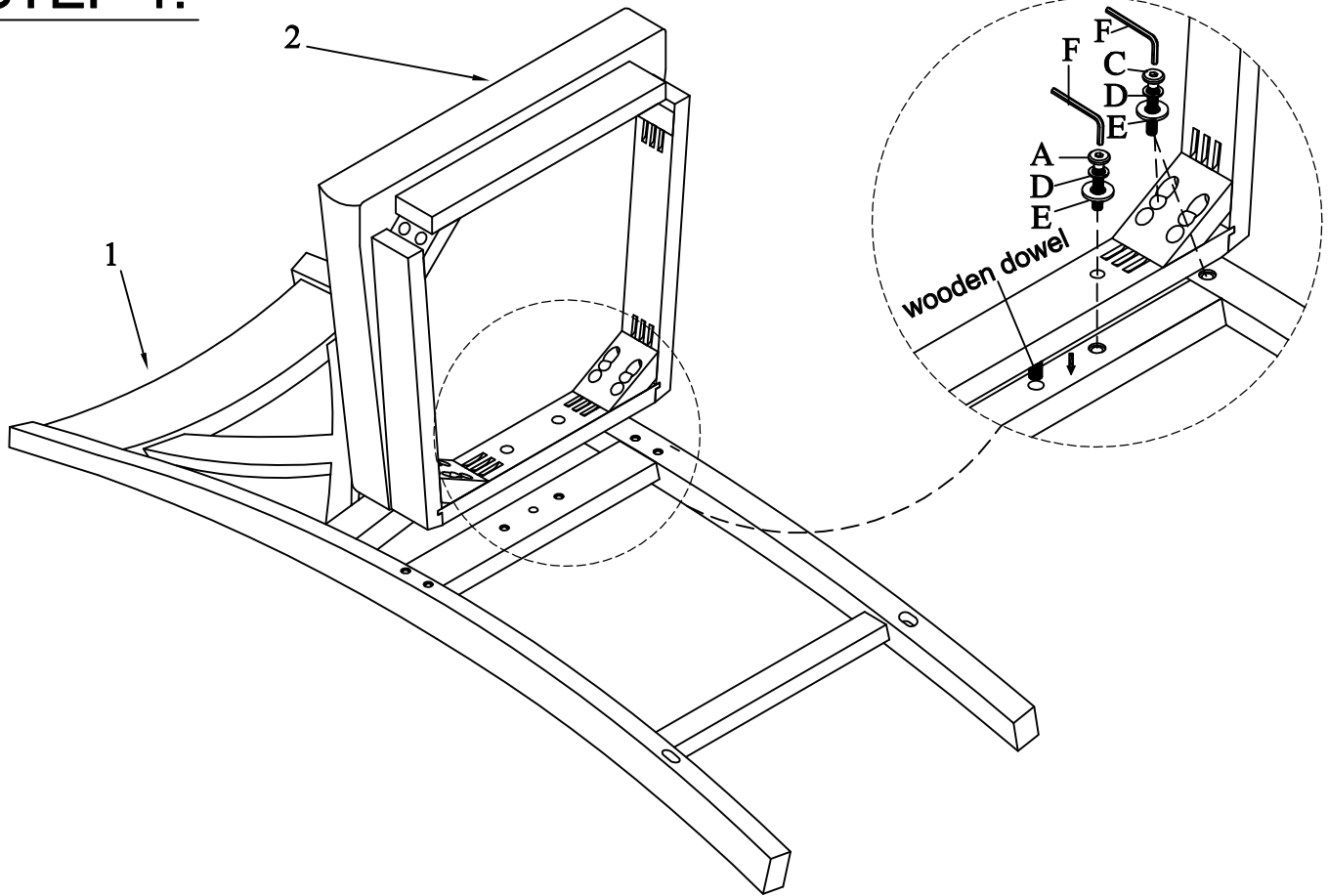
## PARTS LIST

NO.	DIAGRAM	PART NAME	Q'Ty
1		CHAIR BACK	1PC
2		SEAT FRAME WITH CUSHION	1PC
3		LEG (LEFT /RIGHT)	2PCS
4		FRONT STRETCHER	1PC
5		SIDE STRETCHERS (LEFT/ RIGHT)	2PCS

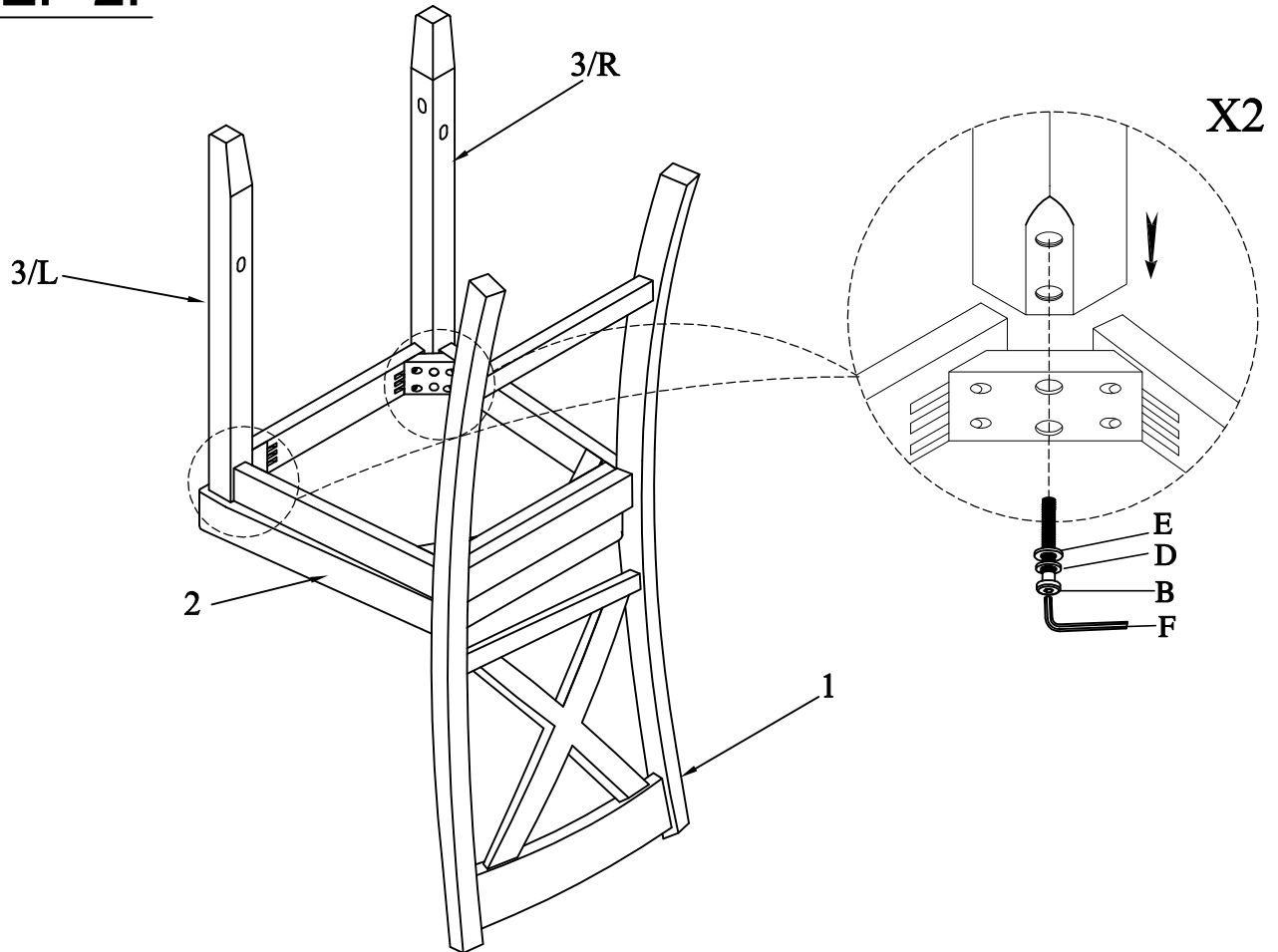
## HARDWARE LIST

NO.	DIAGRAM	PART NAME	Q'Ty
A		BOLT / BOULON Ø1/4" x 1-1/2"	2PCS
B		BOLT / BOULON Ø1/4" x 2-3/8"	4PCS
C		BOLT / BOULON Ø1/4" x 3"	4PCS
D		LOCK WASHER Ø1/4"	10PCS
E		FLAT WASHER Ø1/4"x 3/4"	10PCS
F		ALLEN KEY 1/6" x 2-1/4"	1PC
H		SCREW #4x45mm	6PCS

# STEP 1:

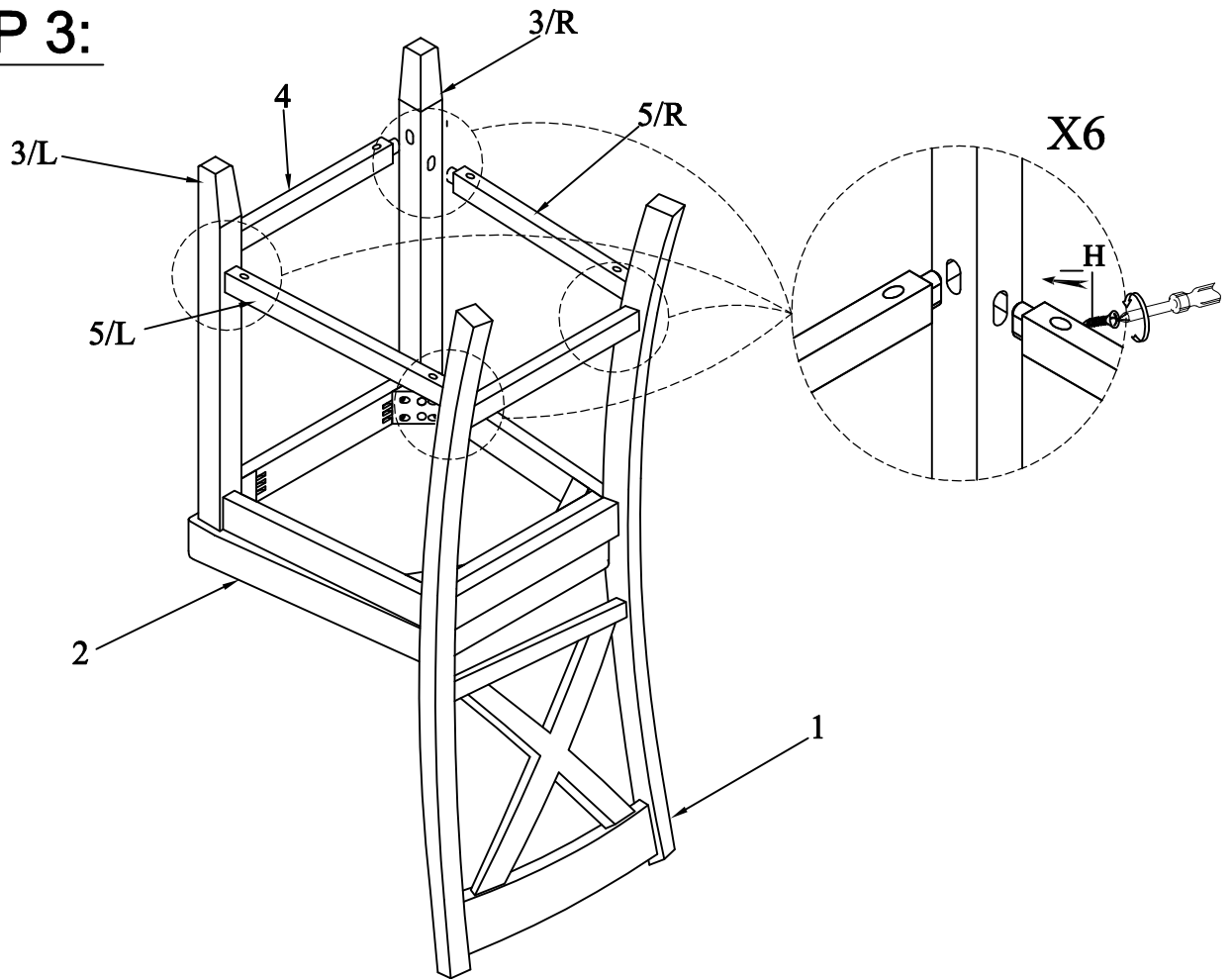


# STEP 2:

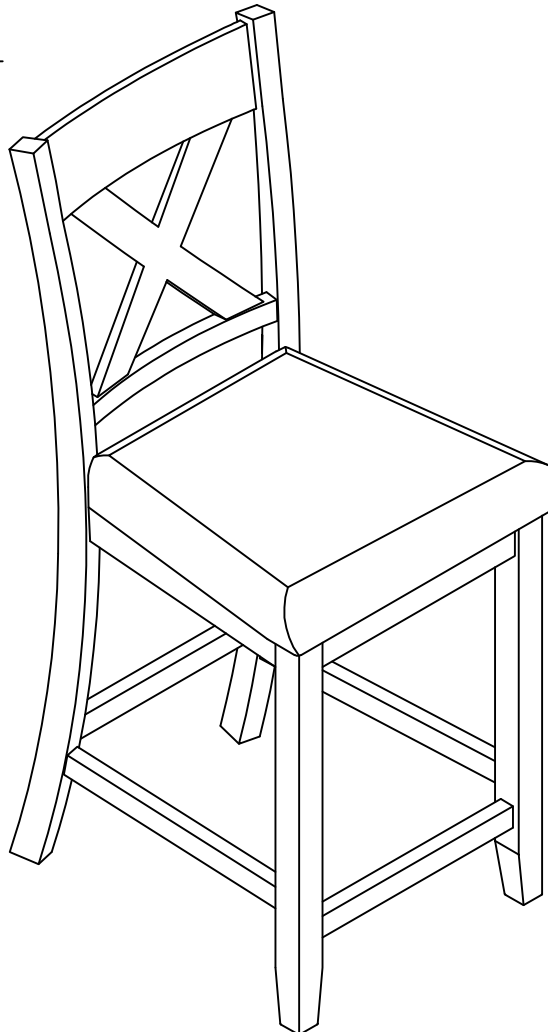


**Do not tighten screws until completely assembled.**

### STEP 3:



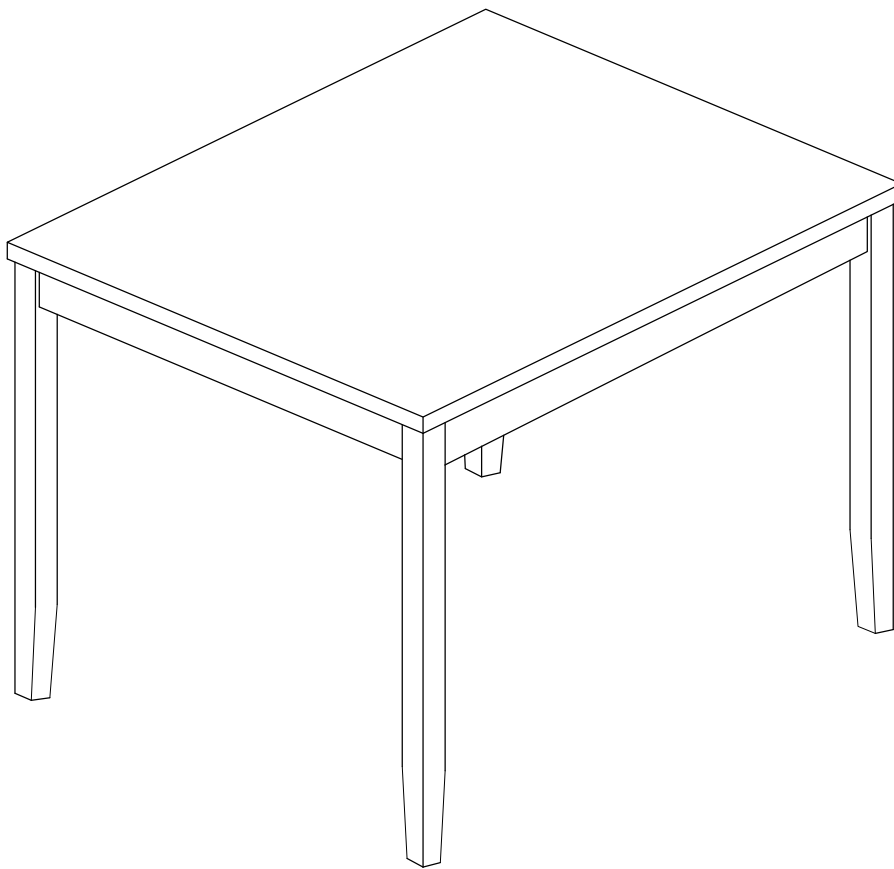
### COMPLETED :



**Tighten all screws until completely assembled.**

# ASSEMBLY INSTRUCTIONS



ITEM NO. FB3012CST-PT  
FB3059HAY-PT  
FB3041HAY-PT



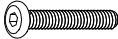



## ASSEMBLY TIPS:

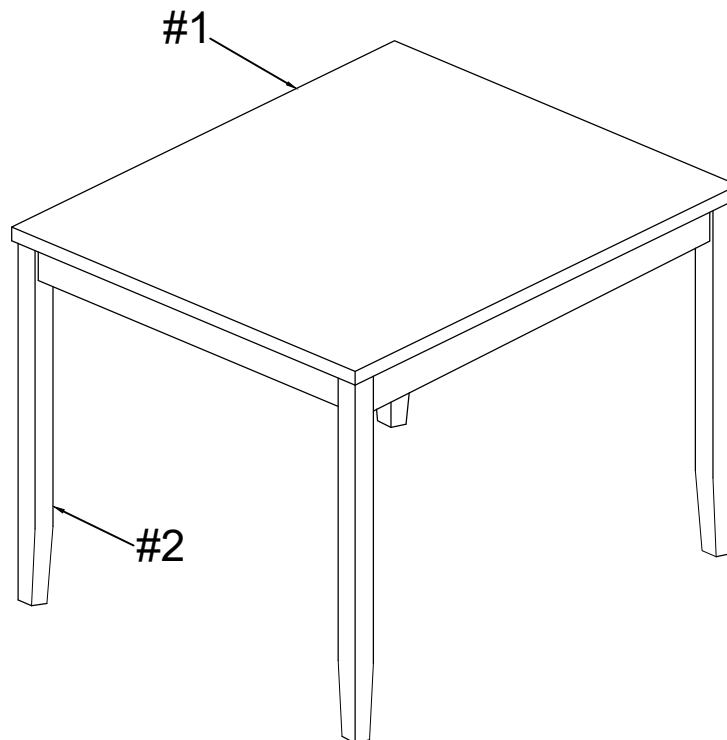
1. Remove hardware from box and sort by size.
2. Please check to see that all hardware and parts are present prior to start of assembly.
3. Please follow attached instructions in the same sequence as numbered to assure fast & easy assembly.

## Part List

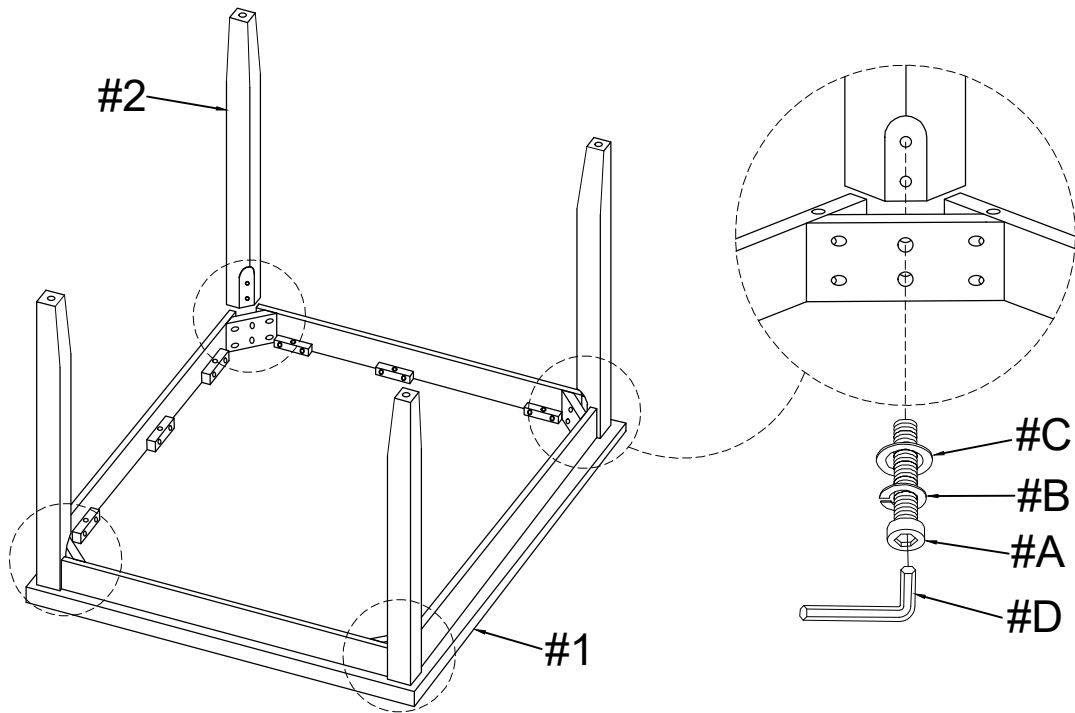
NO.	DIAGRAM	PART NAME	Q'ty
#1		Table Top	1 pc
#2		Table Legs	4 pcs

## Part List

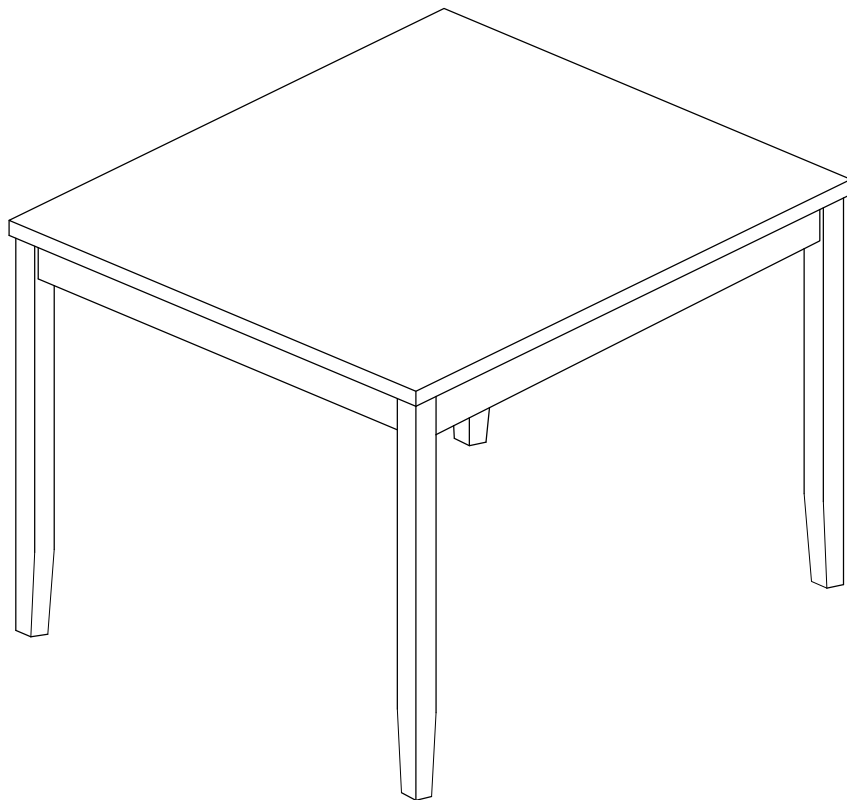
NO.	DIAGRAM	PART NAME	Q'ty
#A		Bolt 5/16" x 2-1/2"	8 pcs
#B		Spring washer Ø5/16"	8 pcs
#C		Flat washer Ø5/16"	8 pcs
#D		Allen key M5	1 pc



**STEP 1:**



**STEP 2:**



**Tighten all screws until completely assembled.**