

Size	Chimney Extension	Filter (replacement)	NON-DUCTED FILTERS
30"/36in Stainless Steel	WRHCE02	MSH1119	WRHF004S2

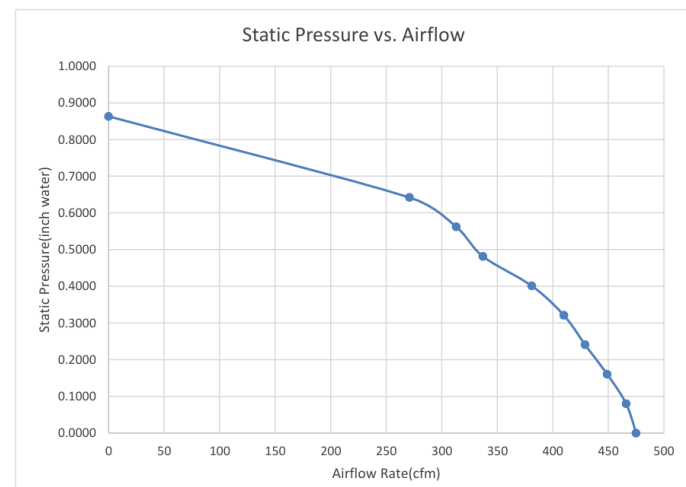
Specifications	
Description	30"/36" 600 CFM Max Velocity Convertible Wall Mount Range Hood
Mount Type	Wall Mount
Size	29.5"/35.4" W x 18.9" D x 34.6" H
Ceiling Height	7.5-8.5 feet
Duct Dimension	7" round
Product Weight	38/41 lbs.
Exhaust Method	Convertible
Exhaust Location	Top
Power Source	Plug in
Voltage	120
Amperage	1.8 A
Residential Use Only	Yes
Certification	ETL (compatible w/UL and CSA)
Filter	Curved Mesh Filter
No. of Fan Speeds	3
Speed Control Type	Touch Sensor Control
Max. Sound Level	5.5 sones
No. of Lights	2 LED
Bulb Wattage	2 W
CFM	600 (Max Velocity), 500(Lab Tested)
Compatible Ductless Filter	WRHF004S2
Installation Hdwe. Incl.	Yes
Flexible Duct Included	Yes

Warranty	
2-Year Limited on parts	

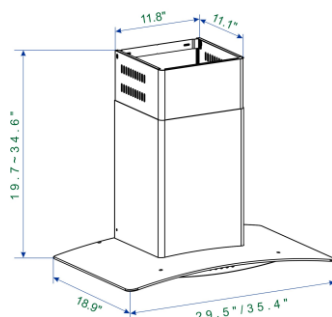
Scene Display



Plot of Static Pressure vs. Airflow



* Max velocity CFM of blower measure in open air environment*



TEL: 630-401-8050
E-Mail: support@winslyn.com

Website: <https://www.winslyn.com>
Company: Winslyn Industries

ADD: 1850 East Fabyan Parkway Batavia, IL 60510