



ABOUT PRODUCT ASSEMBLY

Do not assemble the storage shed on severe cold or strong windy days.

We would advise 2 person to assist in the assembly of the storage shed to secure parts in place. Kids could not use it alone.

Level the ground surface before unpacking parts and beginning assembly.

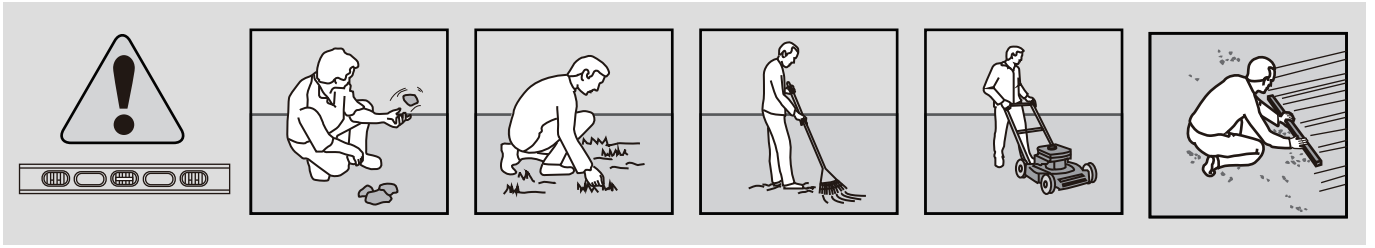
Please check your package according to the PARTS LIST in the instructions to ensure that there are no missing or damaged before you starting assembly, kindly contact us if you find any wrong.

Please read instructions thoroughly prior to assembly, assemble all the parts according to the directions in this instructions, do not skip and steps

Our company provides extra hardware for use as spare parts for customer convenience. Please save the spare parts.

We would kindly advise you to follow the instruction to install, wrong assembly methods can result in damage to the inside of the hole to create links between the panels loose or unable to assembled properly.

LEVEL THE GROUND SURFACE



Level the ground surface before unpacking parts and beginning assembly.

REQUIRED TOOLS



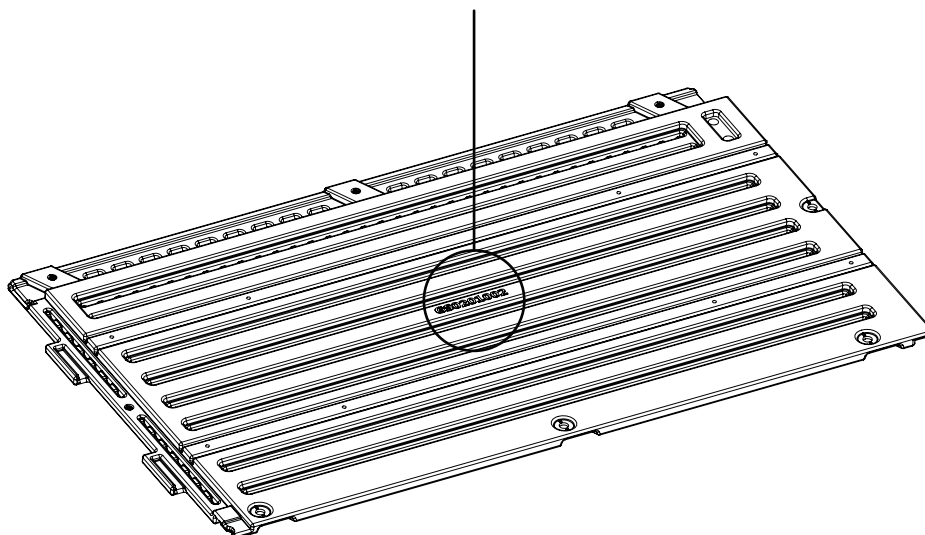
Allen Key



Screwdriver

PARTS NO. POSITION

Parts NO. Position



Parts List

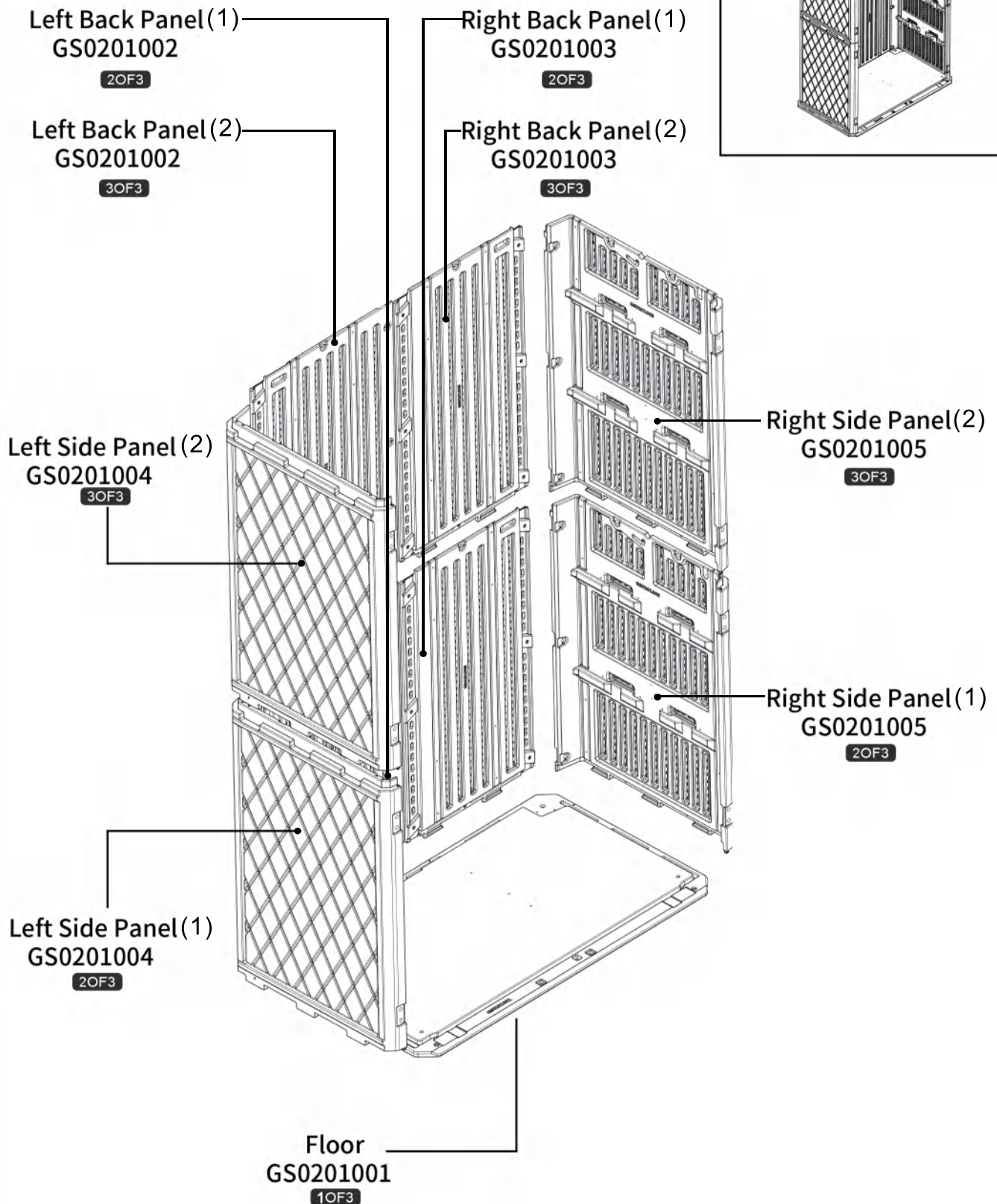
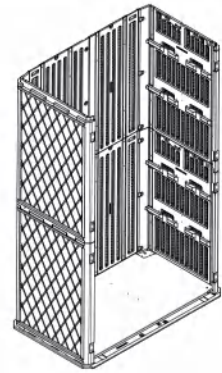
NO.	Parts NO.	Parts Name	Material	Quantity	Specification
1	GS0201001	Floor	HDPE	1	50.24x29.06x1.38inches
2	GS0201002	Left Back Panel	HDPE	2	40.16x23.78x0.98inche
3	GS0201003	Right Back Panel	HDPE	2	40.16x21.81x0.98inches
4	GS0201004	Left Side Panel	HDPE	2	40.16x27.32x4.72inches
5	GS0201005	Right Side Panel	HDPE	2	40.16x27.32x4.72inches
6	GS0201006	Left Door	HDPE	2	38.97x23.43x1.5inches
7	GS0201007	Right Door	HDPE	2	38.97x22.56x1.5inches
8	GS0201008	Roof	HDPE	1	49.61x28.74x1.73inches

NO.	Parts NO.	Parts Name	Material	Quantity	Specification
9	GS0201022	Plastic Bolts	Plastic	16	M9.5x25.5 mm
10	GS0201023	Plastic Bolts	Plastic	8	M9.5x18.5 mm
11	GS0201014	Hinge	Plastic	10	70x38x25 mm
12	GS0201018	Latch -1	Plastic	1	61x40x15 mm
13	GS0201019	Latch -2	Plastic	1	88x43x13 mm

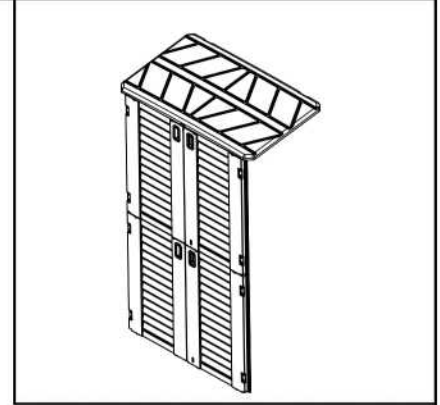
14	GS0201028	Strength the Block	Metal	20	58x18x1.2 mm
15	GS0201025	Fixing Piece for Roof	Metal	2	30x30x16 mm
16	GS0201016	L-1	Metal	1	37x20x16 mm
17	GS0201017	L-2	Metal	1	39x20x20 mm
18	GS0201024	Strength the Connecting Rod	Metal	12	500x30x8 mm
19	Y202338	M5.5x19	Metal	88	M5.5x19 mm
20	Y202333	M4x10	Metal	12	M4x10 mm
		Instructions	/	1	
		Spare Parts	/	1	

Please save the spare parts

Wall Panels and Floor



Doors and Roof



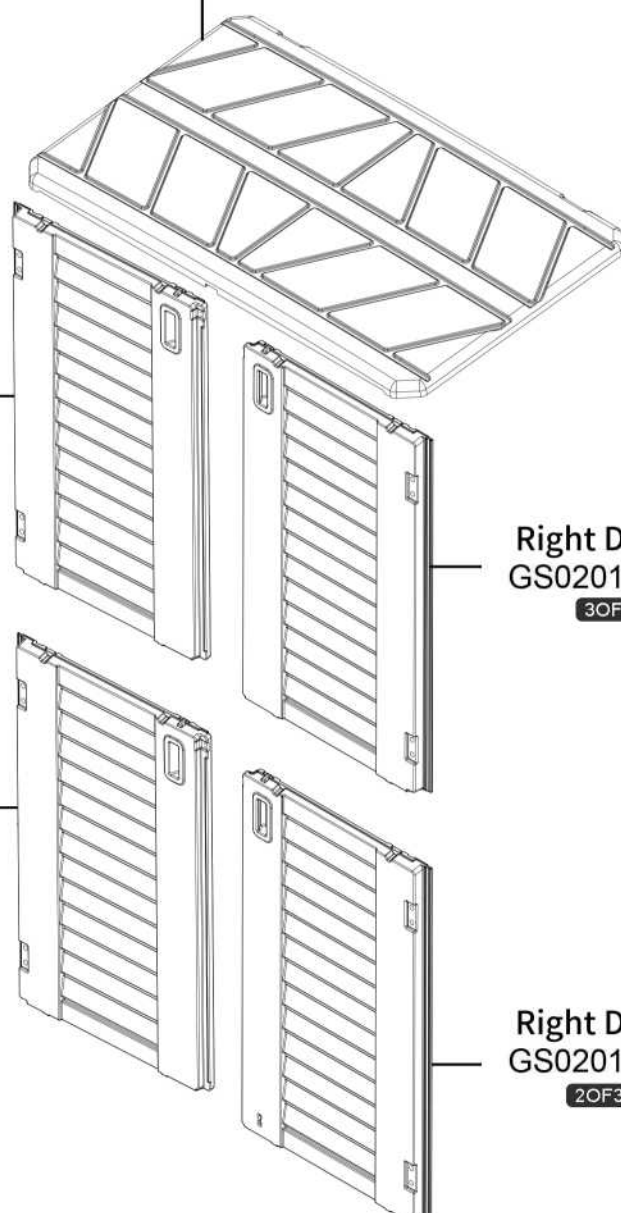
Roof
(GS0201008)
1OF3

Left Door
GS0201006
3OF3

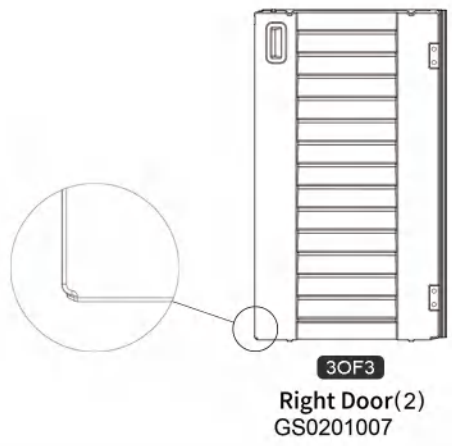
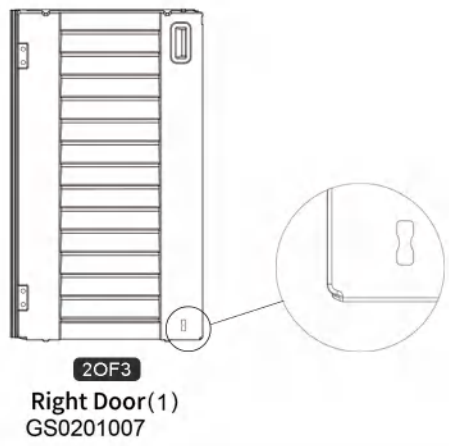
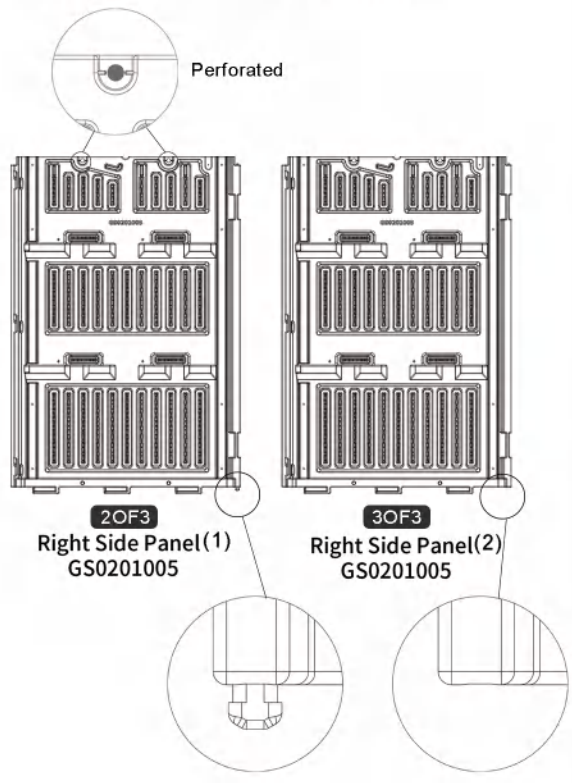
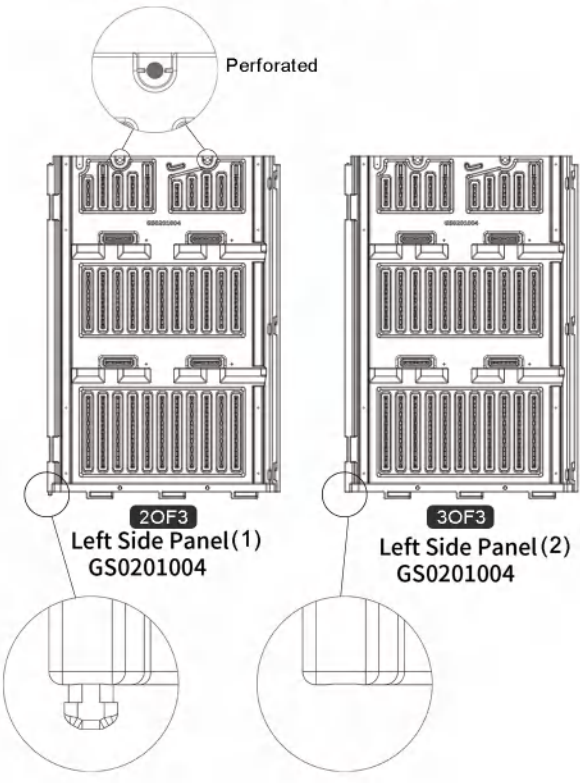
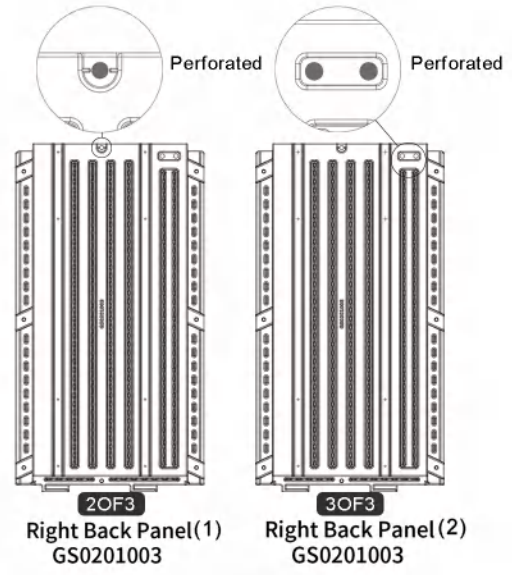
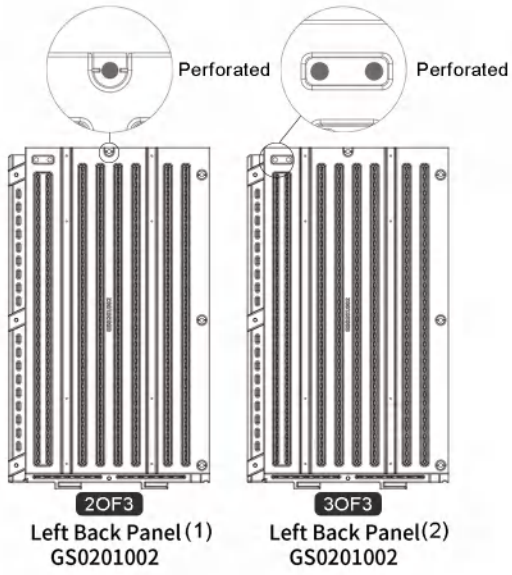
Right Door (2)
GS0201007
3OF3

Left Door
GS0201006
2OF3

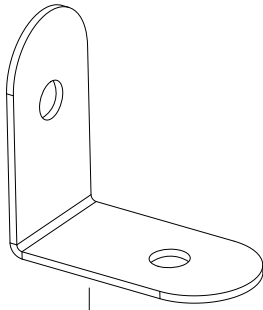
Right Door (1)
GS0201007
2OF3



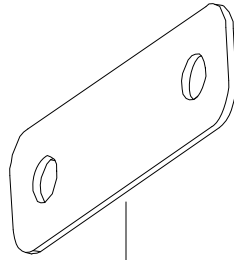
Wall Panels



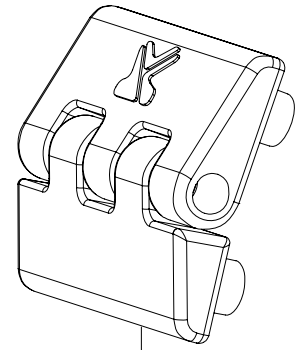
Hardware



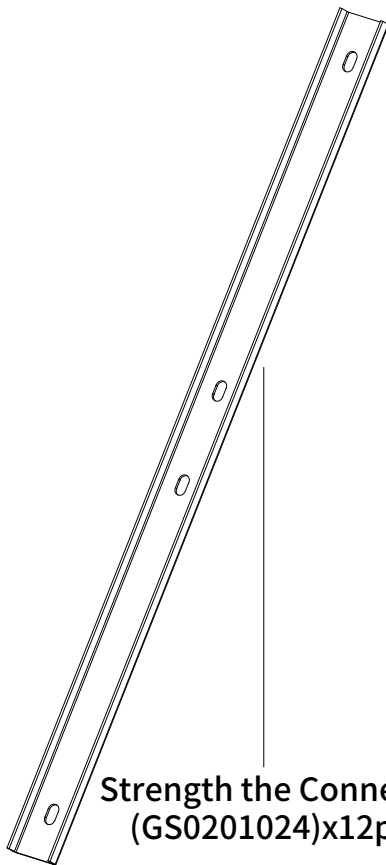
Fixing Piece for Roof
(GS0201025)x2pcs



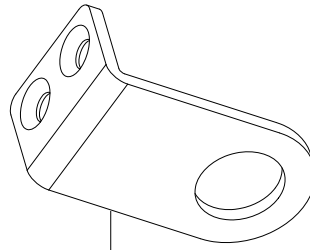
Strength the Block
(GS0201028)x20pcs



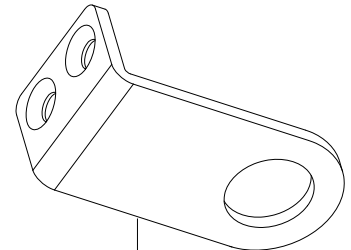
Hinge
(GS0201014)x10pcs



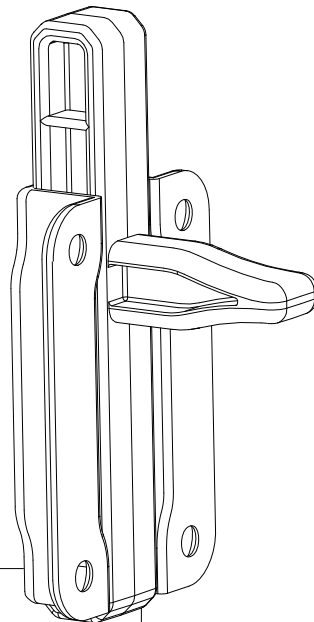
Strength the Connecting Rod
(GS0201024)x12pcs



L-1
(GS0201016)x1pcs

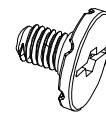


L-2
(GS0201017)x1pcs

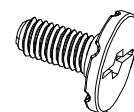


Latch -1
GS0201018 x1pcs

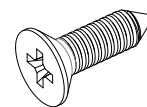
Latch -2
GS0201019 x1pcs



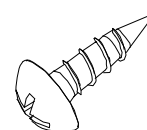
Plastic Bolts
GS0201023
M9.5*18.5x8pcs



Plastic Bolts
GS0201022
M9.5*25.5x16pcs

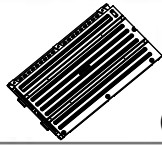


M4x10
Y202333
12pcs

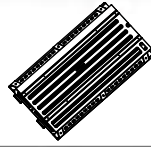


M5.5x19
Y202338
88pcs

1 Back panels to install



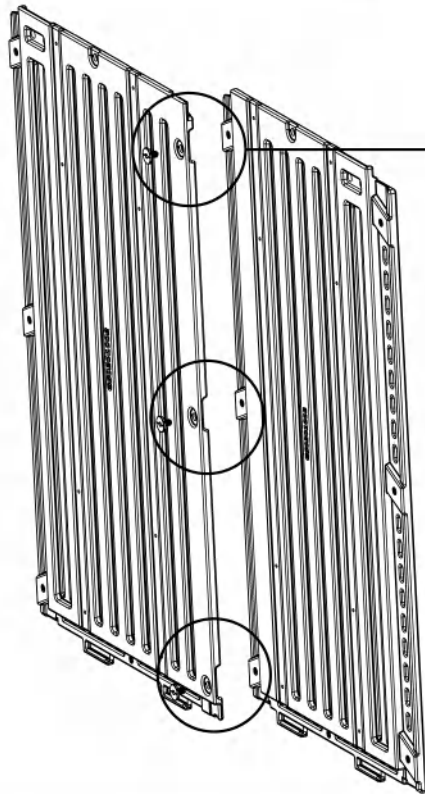
Left Back Panel (GS0201002)X1pcs



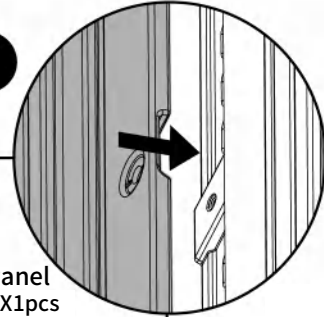
Right Back Panel (GS0201003)X1pcs



Right Back Panel (GS0201023) M9.5*18.5 X3pcs

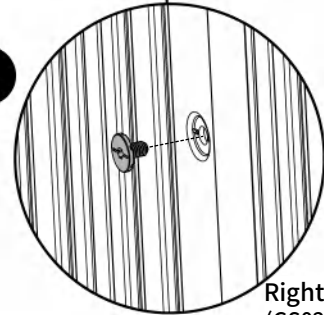


1



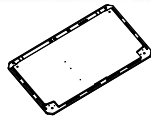
Left Back Panel (GS0201002)X1pcs
Right Back Panel (GS0201003)X1pcs

2



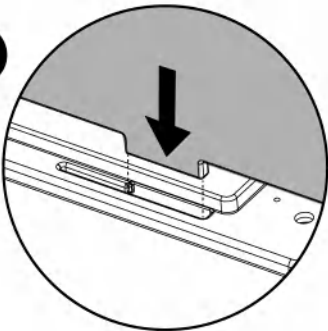
Right Back Panel (GS0201023) M9.5*18.5 X3pcs

2 Floor panel to install

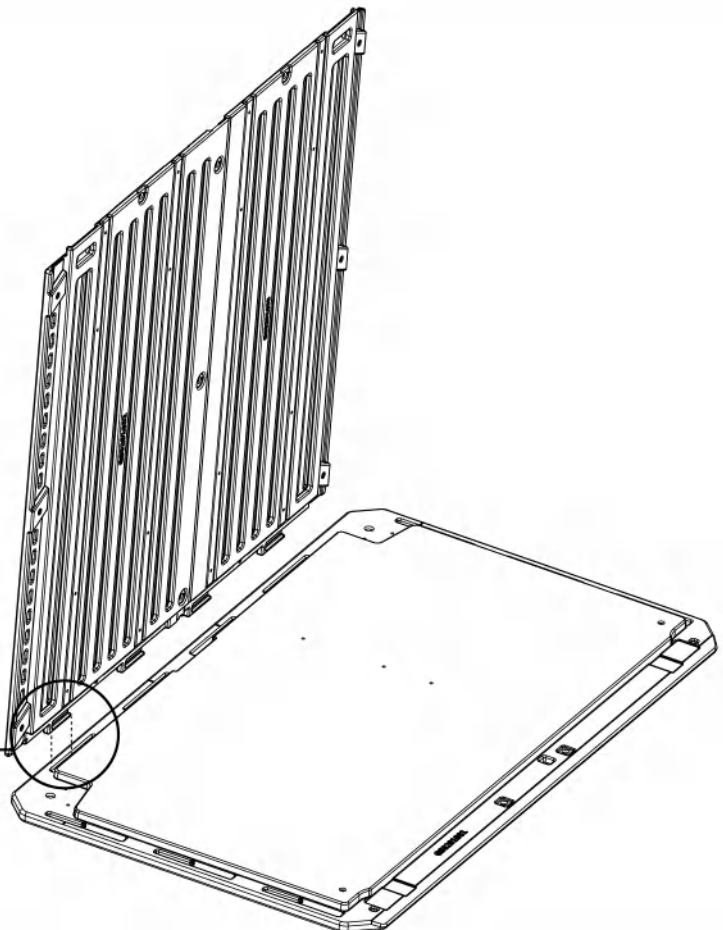
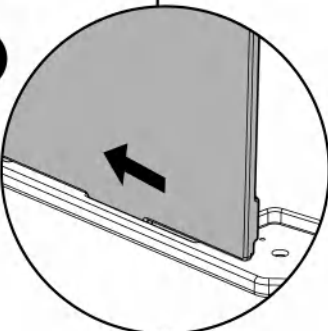


Floor (GS0201001)X1pcs

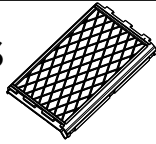
1



2



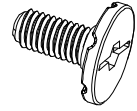
3 Side panels to install



Left Side Panel
(GS0201004)

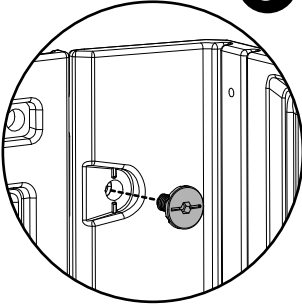


Right Side Panel
(GS0201005)

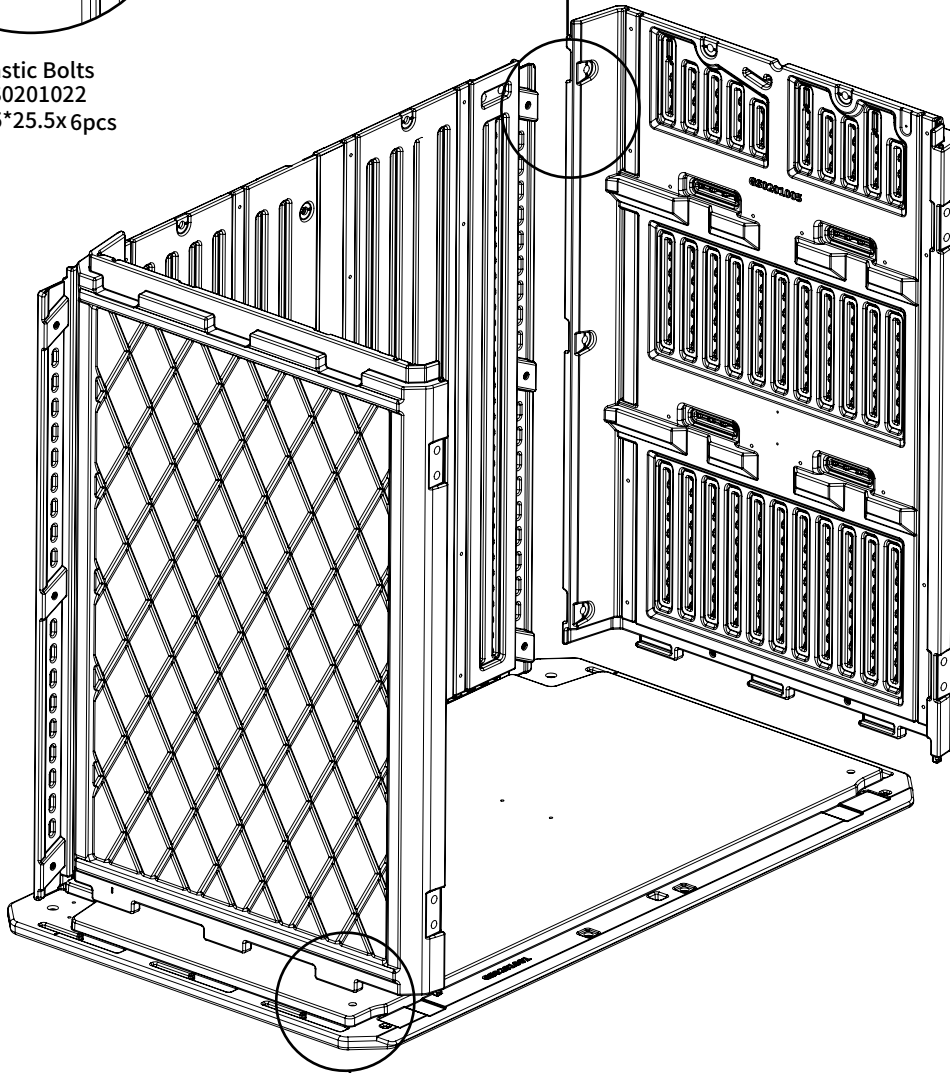


Plastic Bolts
GS0201022
M9.5*25.5x6pcs

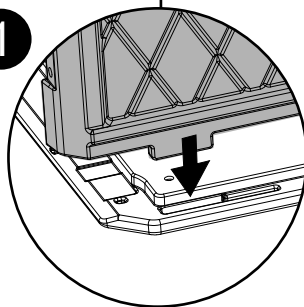
3



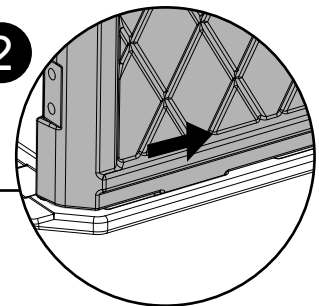
Plastic Bolts
GS0201022
M9.5*25.5x6pcs



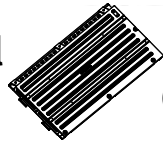
1



2



4 Left back panel (top) to install



Left Back Panel (GS0201002)x1pcs



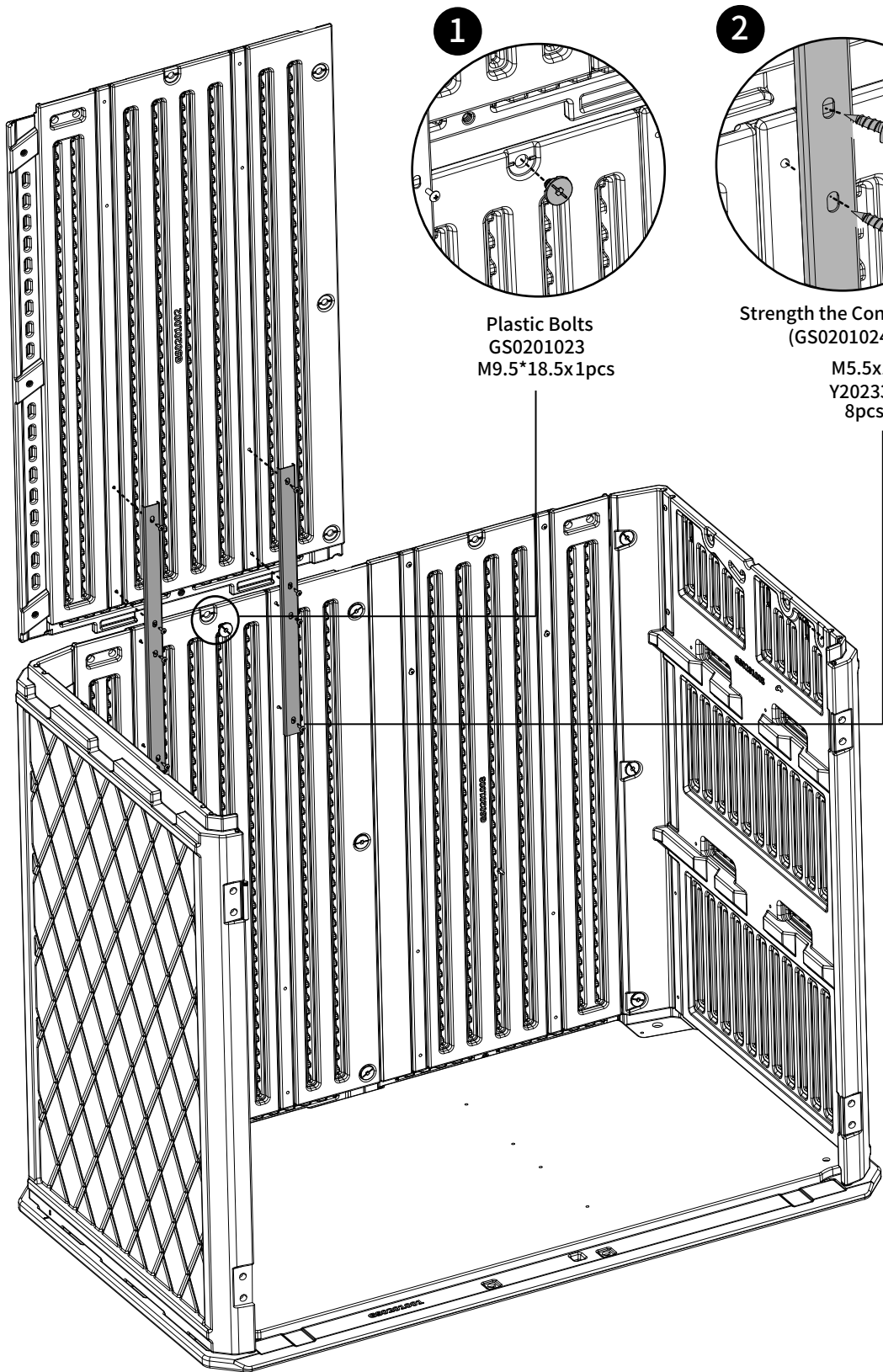
Strength the Connecting Rod (GS0201024)x2pcs



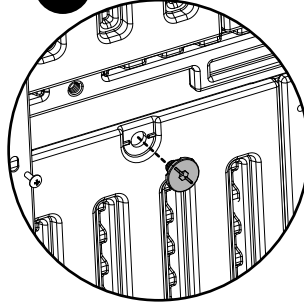
M5.5x19 Y202338 8pcs



Plastic Bolts GS0201023 M9.5*18.5x1pcs

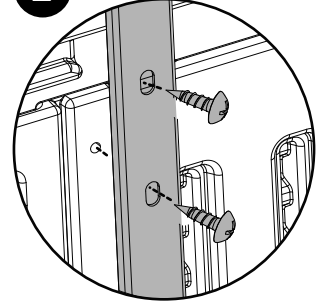


1



Plastic Bolts GS0201023 M9.5*18.5x1pcs

2

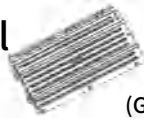


Strength the Connecting Rod (GS0201024)x2pcs

M5.5x19 Y202338 8pcs

5

Right back panel (top) to install



Right Back Panel
(GS02011003)x1pcs



Strength the
Connecting Rod
(GS0201024)x2pcs

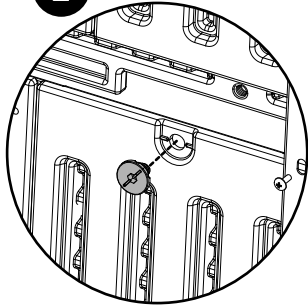


M5.5x19
Y202338
8pcs



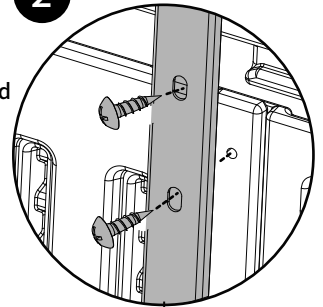
Plastic Bolts
GS0201023
M9.5*18.5x4pcs

1



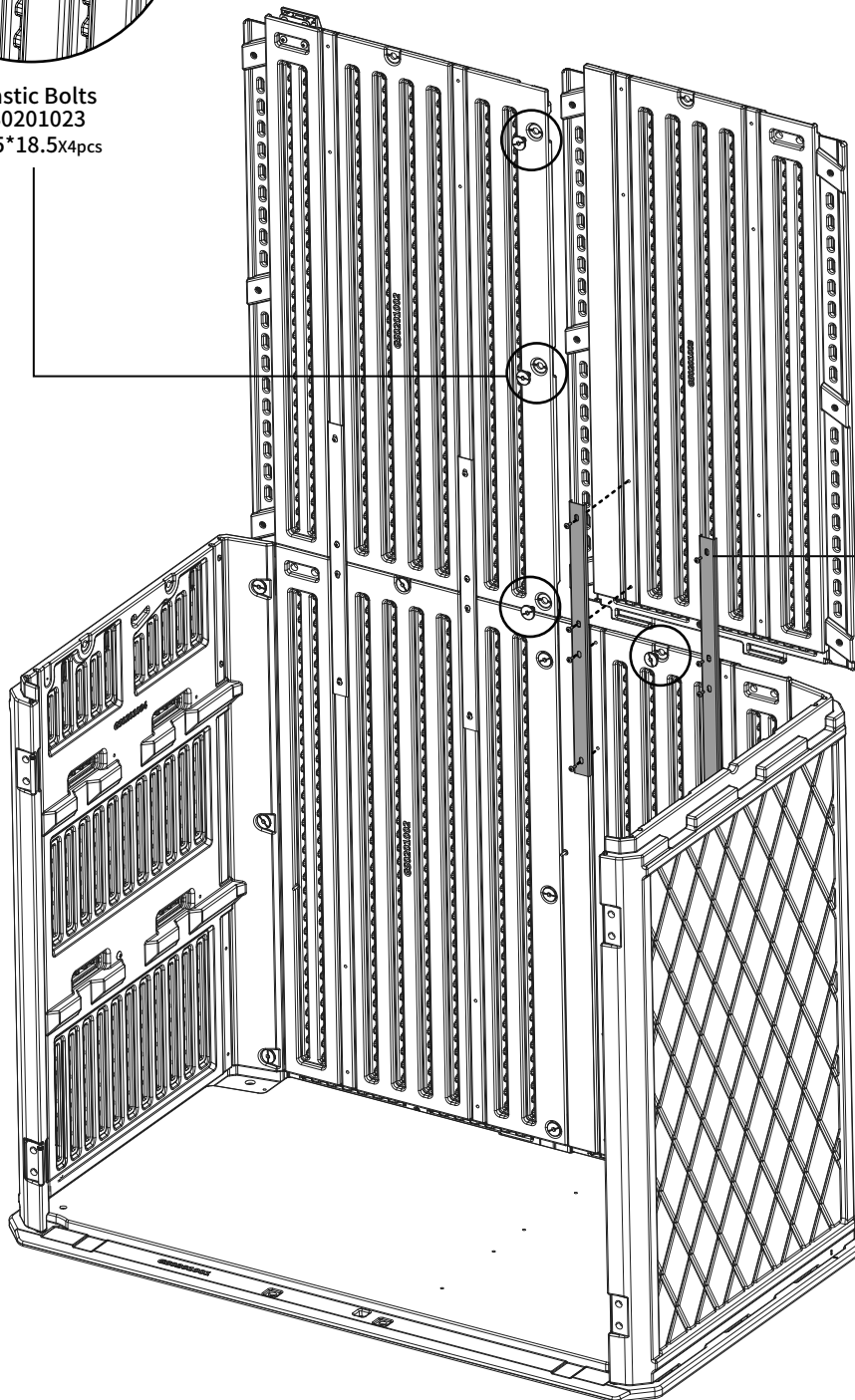
Plastic Bolts
GS0201023
M9.5*18.5x4pcs

2



Strength the Connecting Rod
(GS0201024)x2pcs

M5.5x19
Y202338
8pcs



6

**Left side panel
(top) to install**



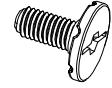
Left side Panel
GS0201004 x 1pcs



Strength the
Connecting Rod
(GS0201024) x 2pcs

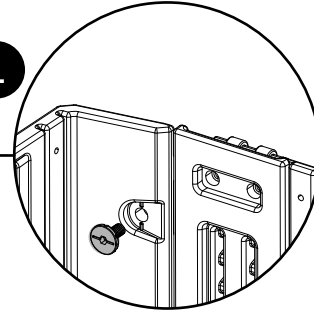


M5.5x19
Y202338
8pcs

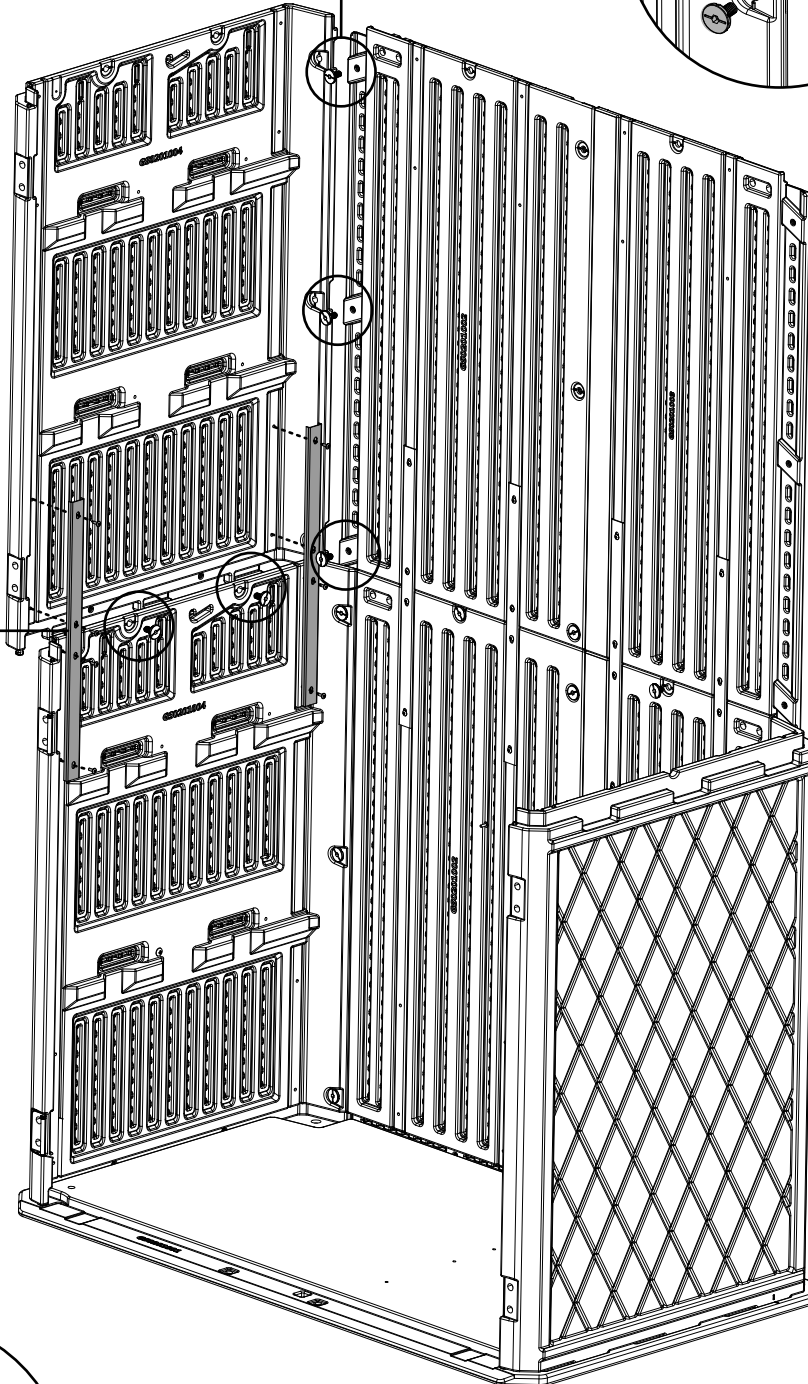


Plastic Bolts
GS0201022
M9.5*25.5 x5pcs

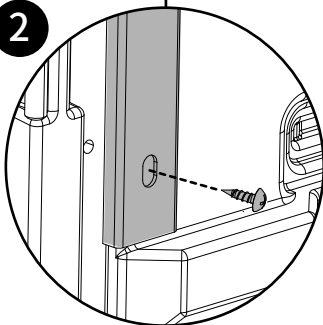
1



Plastic Bolts
GS0201022
M9.5*25.5x5pcs



2

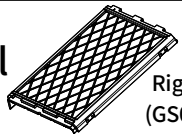


M5.5x19
Y202338
8pcs

Strength the
Connecting Rod
(GS0201024)x 2pcs

7

Right side panel (top) to install



Right side Panel
(GS0201005)x1pcs



Strength the
Connecting Rod
(GS0201024)x2pcs

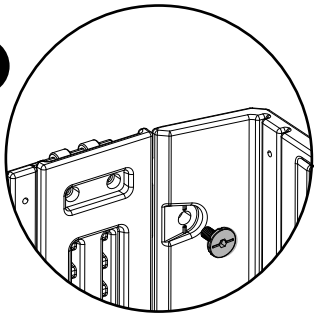


M5.5x19
Y202338
8pcs

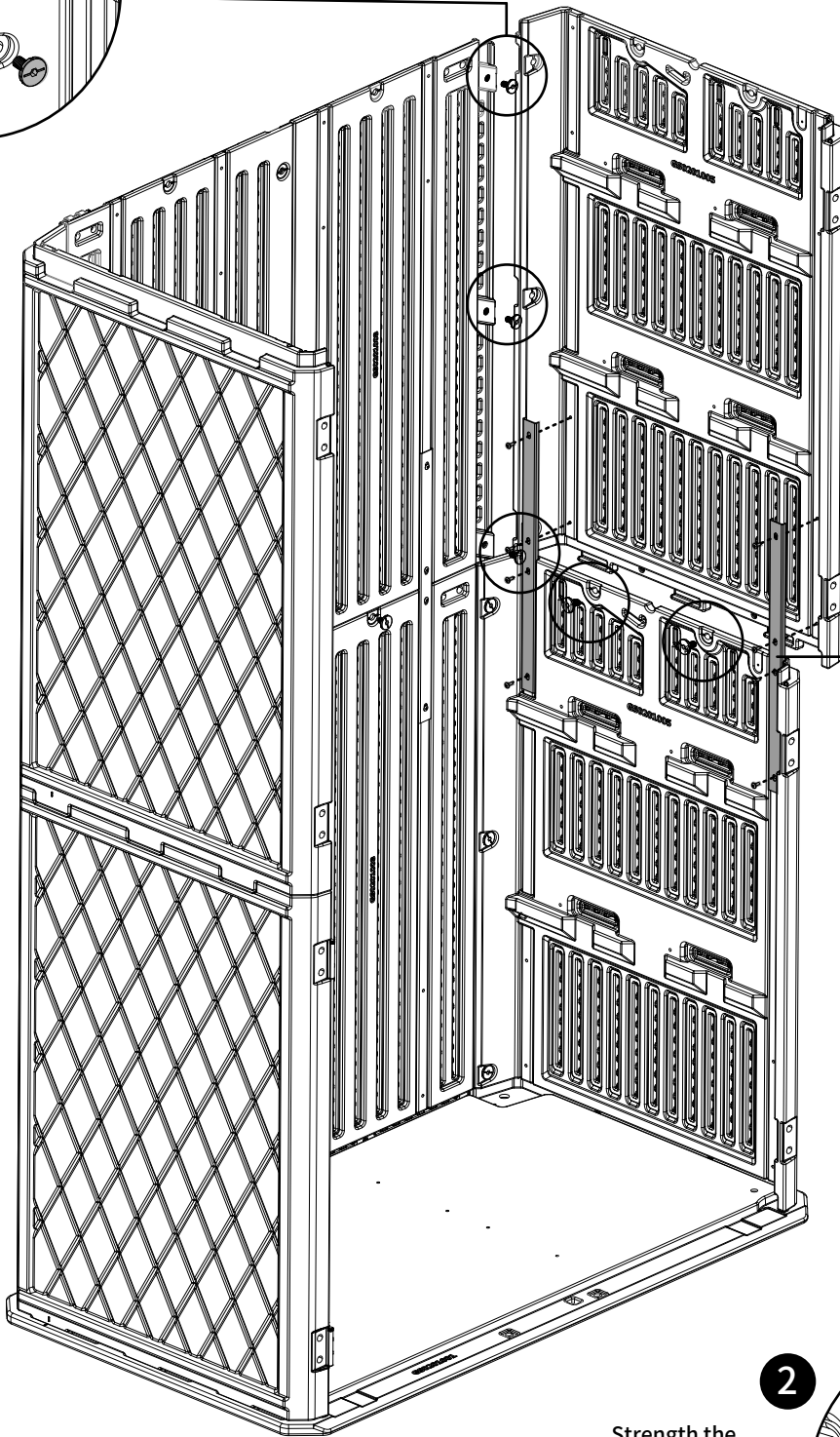


Plastic Bolts
GS0201022
M9.5*25.5x 5pcs

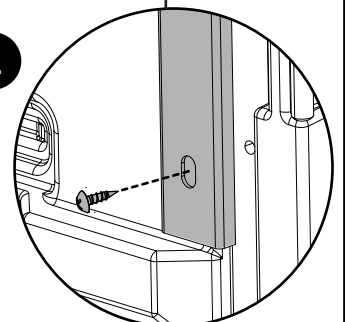
1



Plastic Bolts
GS0201022
M9.5*25.5x 5pcs



2



Strength the
Connecting Rod
(GS0201024)x 2pcs

M5.5x19
Y202338
8pcs

8

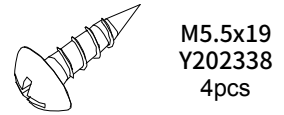
Roof accessories to install



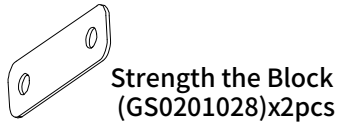
Roof (GS0201008)



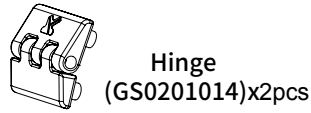
M4x10 Y202333 2pcs



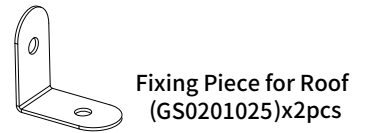
M5.5x19 Y202338 4pcs



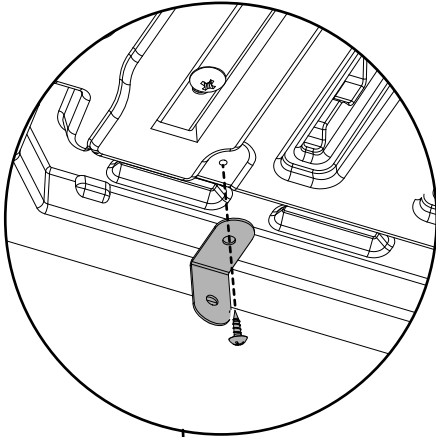
Strength the Block (GS0201028)x2pcs



Hinge (GS0201014)x2pcs

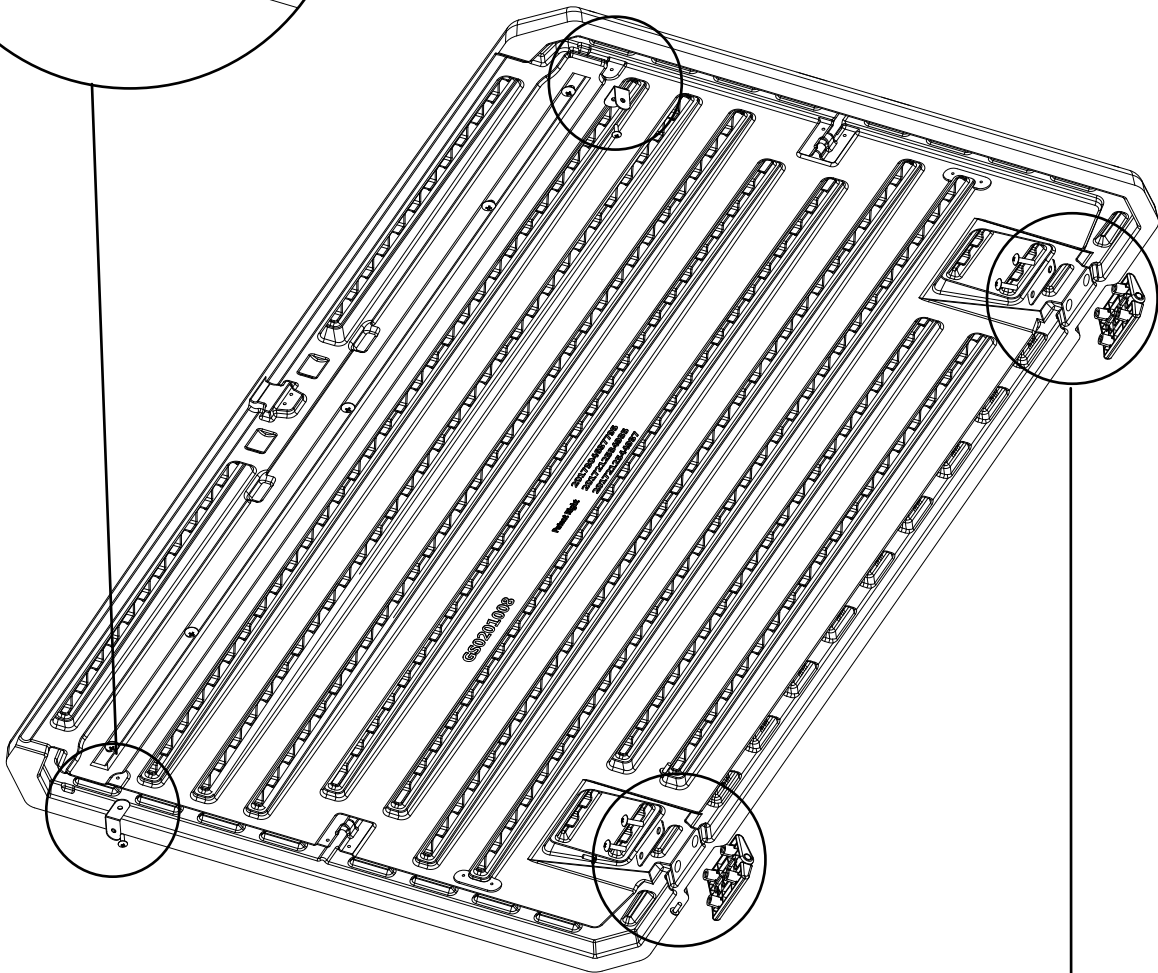


Fixing Piece for Roof (GS0201025)x2pcs



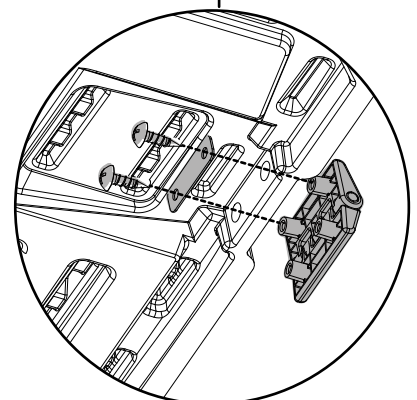
M4x10 Y202333 2pcs

Fixing Piece for Roof (GS0201025)x2pcs



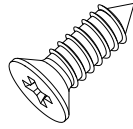
M5.5x19 Y202338 4pcs
Hinge (GS0201014)x2pcs

Strength the Block (GS0201028)x2pcs

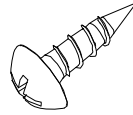


9

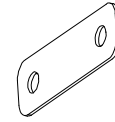
**Roof
to install**



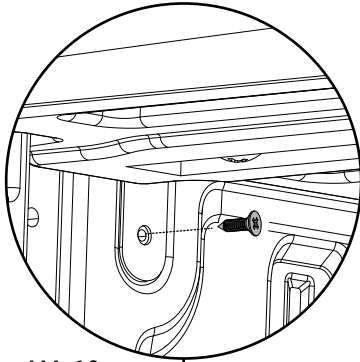
M4x10
Y202333
2pcs



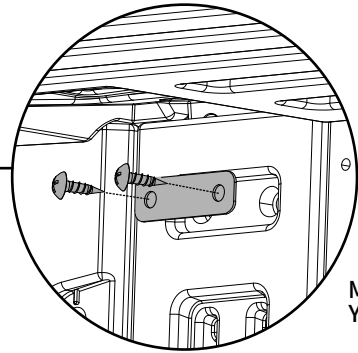
M5.5x19
Y202338
4pcs



Strength the Block
(GS0201028)x2pcs

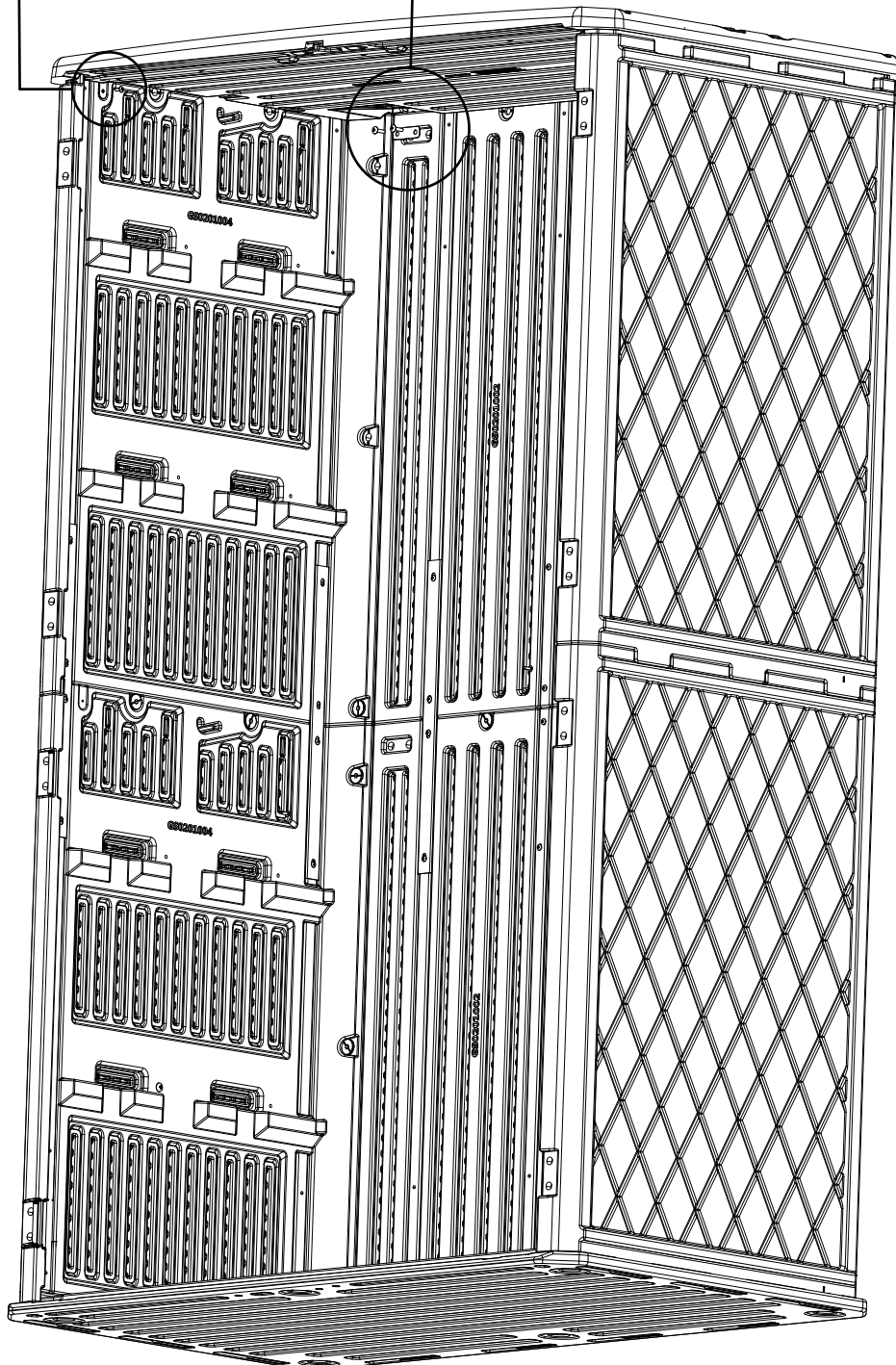


M4x10
Y202333
2pcs



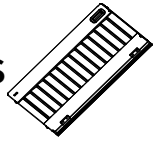
M5.5x19
Y202338
4pcs

Strength the Block
(GS0201028)x2pcs



10

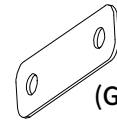
Door accessories to install



Right Door
(GS0201007)



Hinge
(GS0201014)x2pcs



Strength the Block
(GS0201028)x2pcs



M4x10
Y202333
6pcs



L-1
(GS0201016)x1pcs



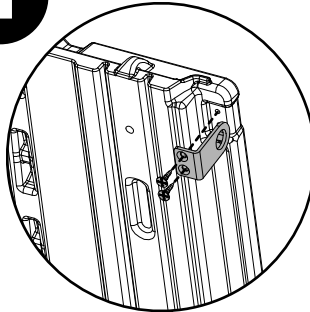
Latch -1
(GS0201018)x1pcs



Latch -2
(GS0201019)x1pcs

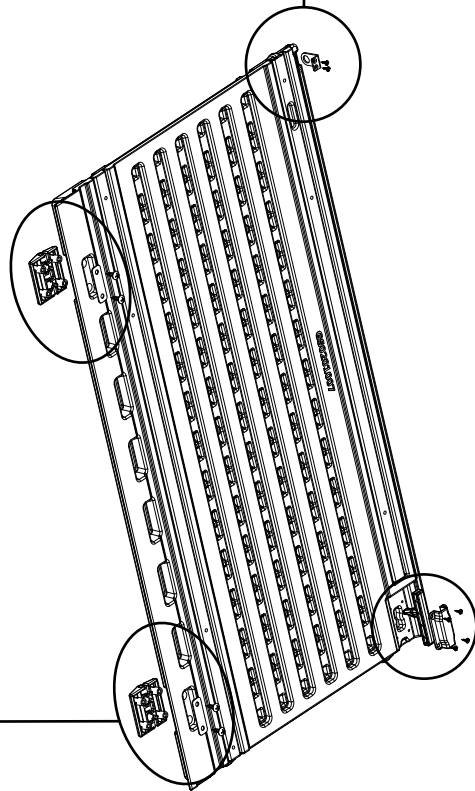
M5.5x19
Y202338
4pcs

1



M4x10
Y202333
2pcs

L-1
(GS0201016)x1pcs

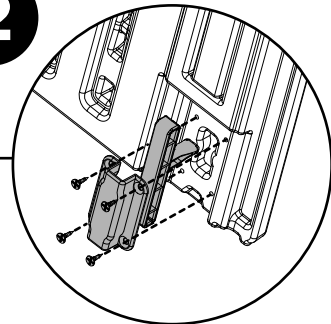


Latch -1
(GS0201018)x1pcs

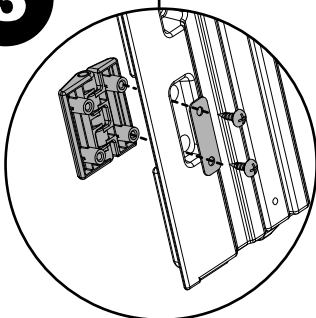
Latch -2
(GS0201019)x1pcs

M4x10
Y202333
4pcs

2



3

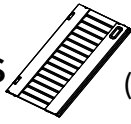


Strength the Block
(GS0201028)x2pcs

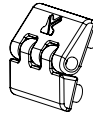
Hinge
(GS0201014)x2pcs

M5.5x19
Y202338
4pcs

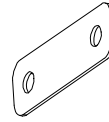
11 Door accessories to install



Left Door
(GS0201006)



Hinge
(GS0201014)x2pcs



Strength the Block
(GS0201028)x2pcs



M4x10
Y202333
2pcs

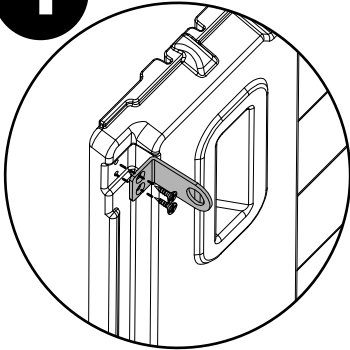


L-2
(GS0201017) x1pcs



M5.5x19
Y202338
4pcs

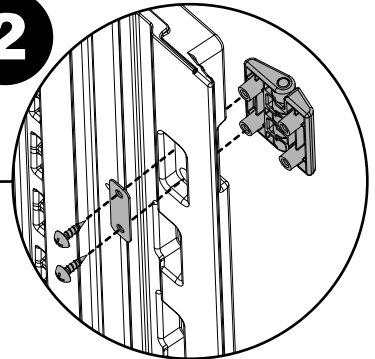
1



M4x10
Y202333
2pcs

L-2
(GS0201017) x1pcs

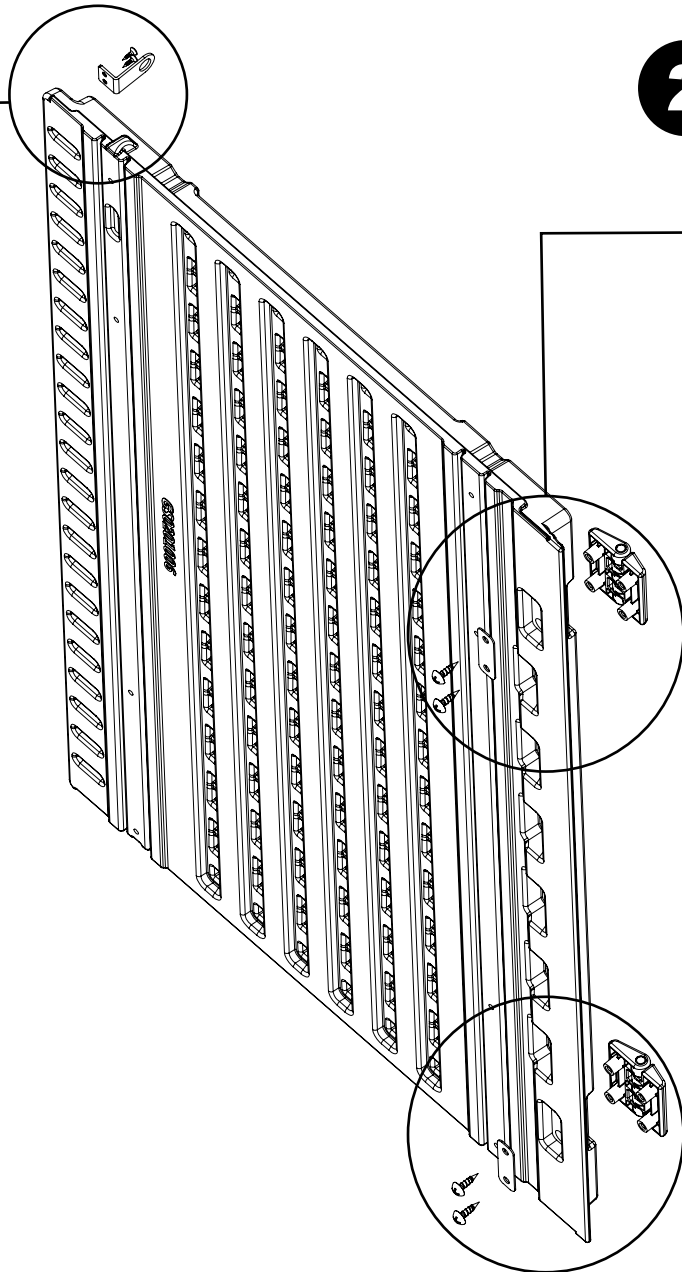
2



Hinge
(GS0201014)x2pcs

Strength the Block
(GS0201028)x2pcs

M5.5x19
Y202338
4pcs



12

Right Door to install



Right door
(GS0201007)x2pcs



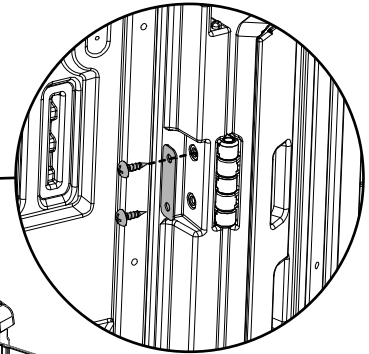
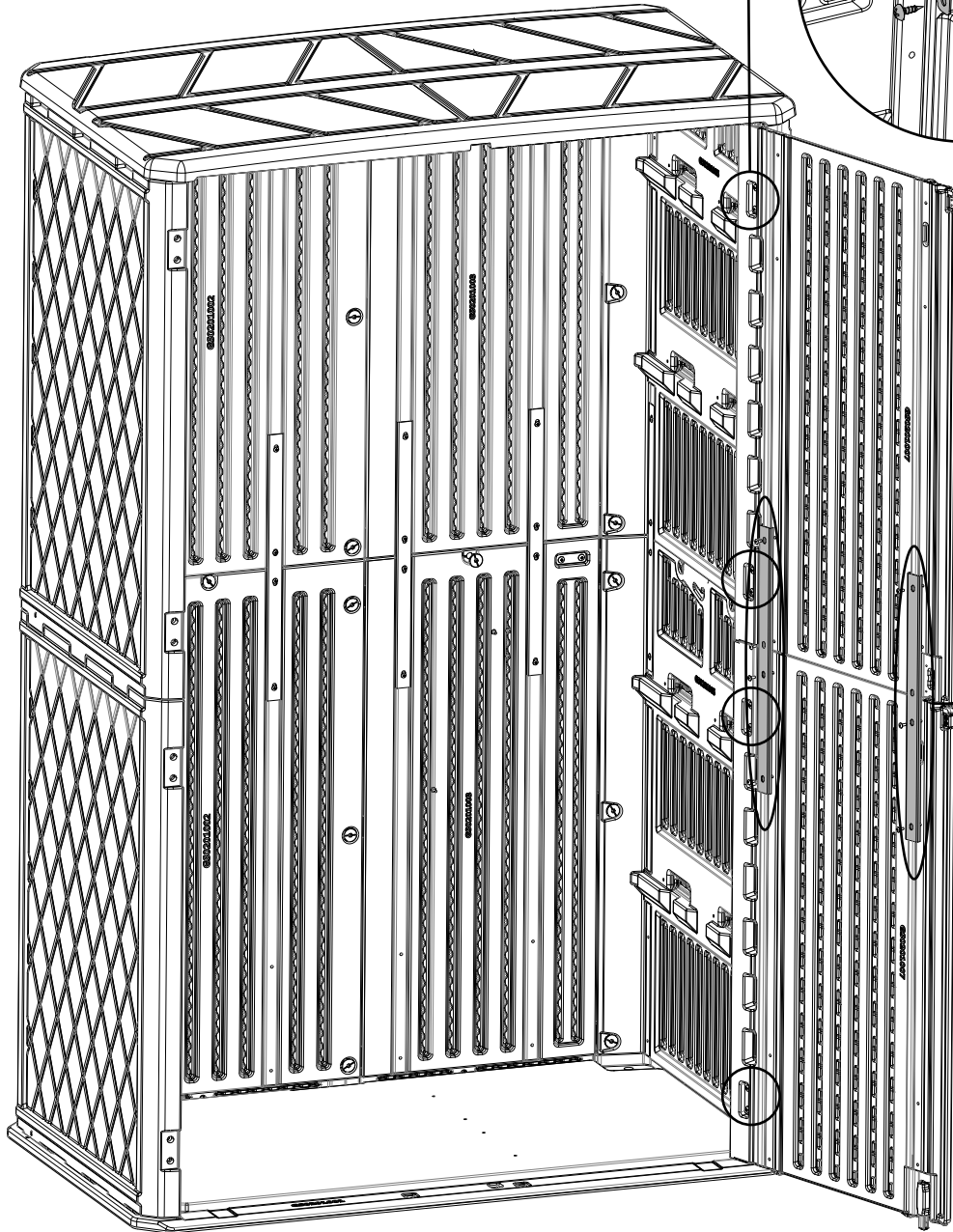
Strength the Block
(GS0201028)x4pcs



Strength the
Connecting Rod
(GS0201024)x2pcs

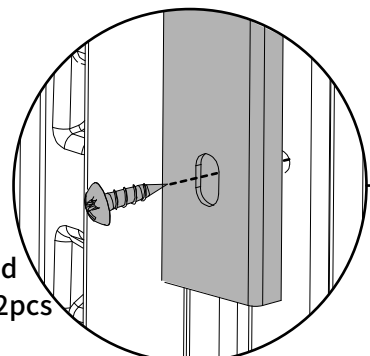


M5.5x19
Y202338
16pcs



M5.5x19
Y202338
8pcs

Strength the Block
(GS0201028)x4pcs




M5.5x19
Y202338
8pcs

Strength the
Connecting Rod
(GS0201024)x 2pcs

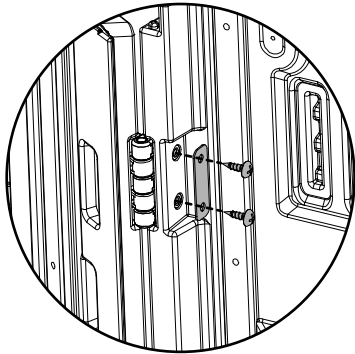
13 Left Door to install


Left door
(GS0201006)x2pcs

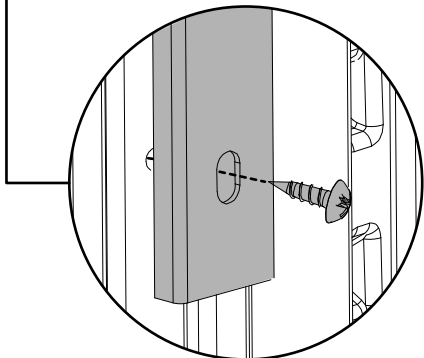
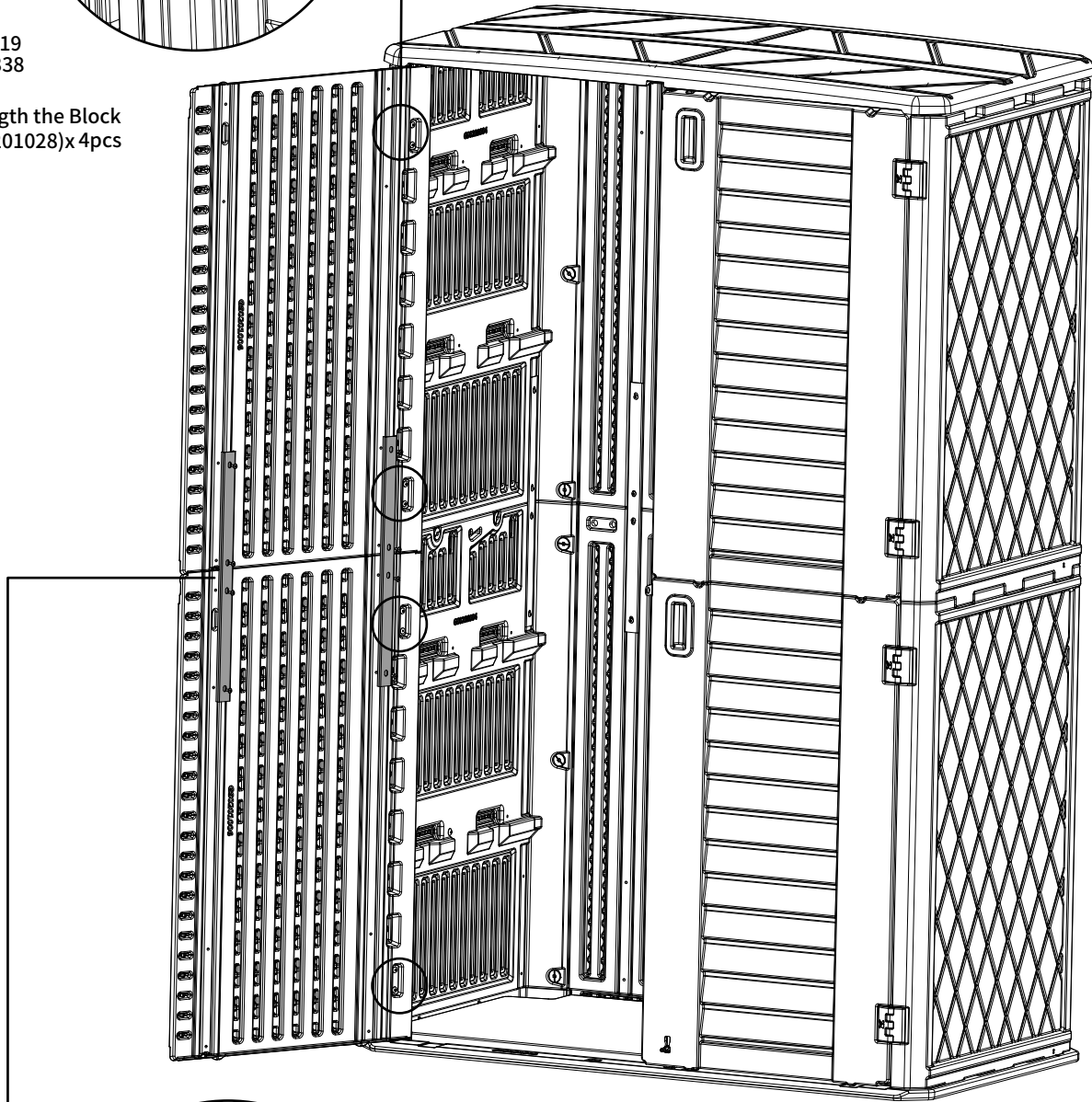

Strength the Block
(GS0201028)x 4pcs


Strength the
Connecting Rod
(GS0201024)x2pcs


M5.5x19
Y202338
16pcs



M5.5x19
Y202338
8pcs
Strength the Block
(GS0201028)x 4pcs



M5.5x19
Y202338
8pcs

Strength the
Connecting Rod
(GS0201024)x2pcs