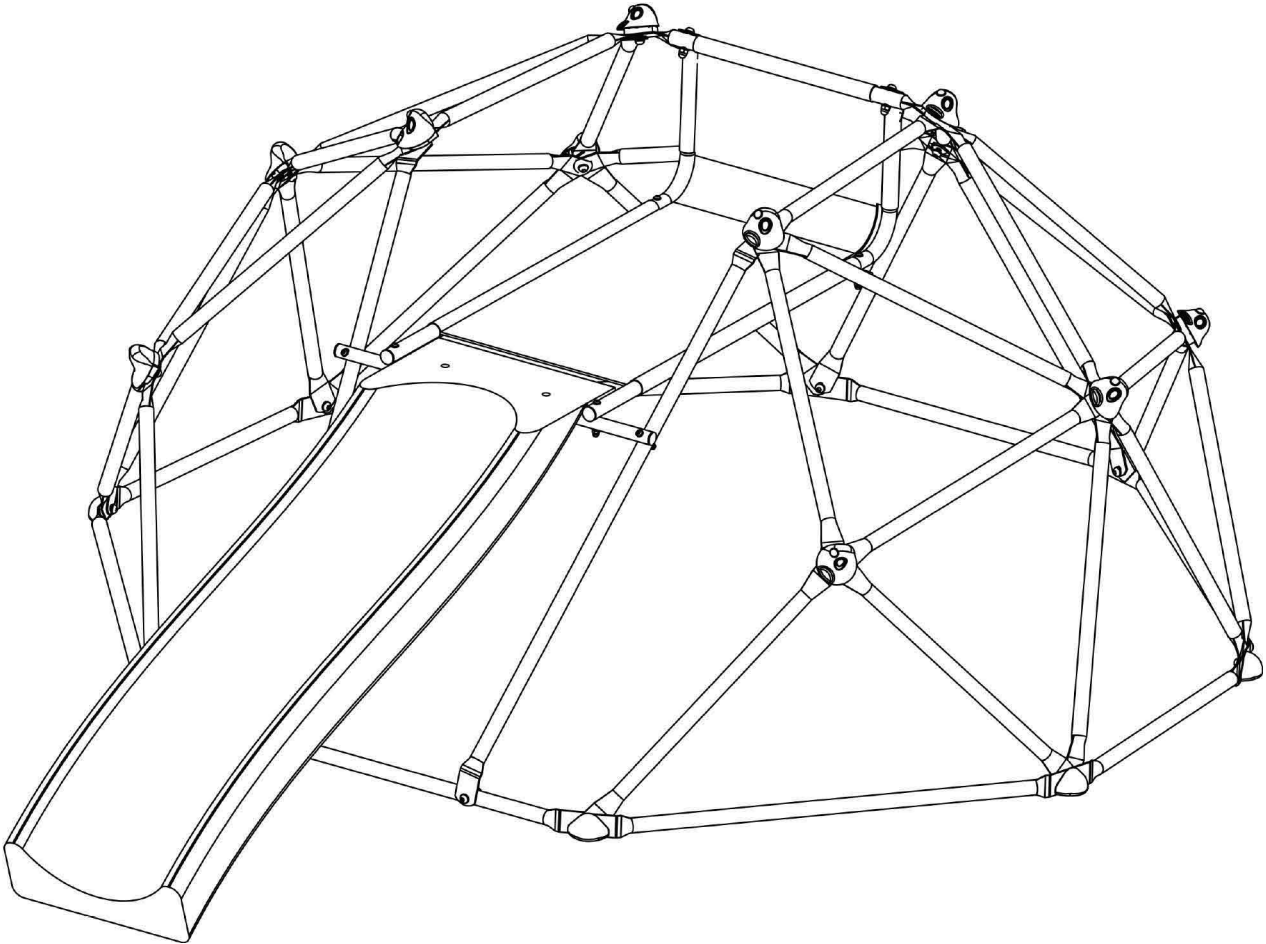


6FT Climbing Dome

USER AND ASSEMBLY MANUAL



WARNINGS!

TOY MUST BE ASSEMBLED BY AN ADULT BEFORE USE.

CHILDREN MUST NOT USE THIS PRODUCT UNTIL PROPERLY INSTALLED.

THIS PRODUCT CONTAINS SMALL PARTS AND IS NOT SUITABLE FOR CHILDREN UNDER 36 MONTHS UNTIL FULLY ASSEMBLED.

REMOVE ALL PACKAGING BEFORE GIVING TO YOUR CHILDREN.

RETAIN PACKAGING FOR FUTURE REFERENCE. KEEP AWAY FROM FIRE.

PLEASE DO NOT RETURN TO STORE



**Please do not return this product to the retailer!!
We are able to assist you in ANY way**

If you find that you have any trouble with assembly or missing or damaged parts please contact the seller.

BEFORE ASSEMBLY

Check the entire box and all packing material for parts and/or additional instruction material.

Read the instructions and identify all parts and hardware using the parts list.

Test fit all bolts by inserting them into their respective holes.

Do not scrape away all of the powder coating. Bare metal may rust.

SAFETY INSTRUCTIONS

FAILURE TO FOLLOW THESE WARNINGS MAY RESULT IN SERIOUS INJURY OR PROPERTY DAMAGE AND WILL VOID WARRANTY. Owner must ensure that all players know and follow these rules for safe operation of the system.

To ensure safety, do not attempt to assemble this product without following the instructions carefully.

- If using a ladder during assembly, use extreme caution.
- Two capable adults are recommended for this operation.
- Be aware that parts can be damaged by over tightening the screws.

All who participate in the assembly process should wear safety glasses throughout the assembly

Most injuries are caused by misuse and/or not following instructions. Use caution when using this product.

1. Do not install over concrete, asphalt, packed earth, or any other hard surface, and is for outdoor residential use only. A fall onto a hard surface can result in serious injury.
2. This product is not for Commercial use.
3. Adult assembly required.
4. Adult supervision required at all times. All players need to be supervised, regardless of skill level or age.
5. It is advised that on a regular basis (i.e. at the beginning of the season and monthly thereafter) all main parts/fixings are checked as secure, have no sharp points/edges and are intact. Replace and/or tighten when necessary. Failure to do so may result in an injury or hazard.
6. Any attachments such as swings, chains, ropes, etc must be regularly examined for evidence of deterioration.
7. Do not over-tighten nuts and screws as this may cause them to shear and potentially cause structural failure.
8. USE AT YOUR OWN RISK! USING A DRILL IS NOT RECOMMENDED FOR DRIVING BOLTS. A cordless drill can be used for driving screws; however, care should be taken not to over-tighten or strip screws.
9. Save this instruction for future use.

****IMPORTANT SAFETY INFORMATION****

PLEASE READ BEFORE ASSEMBLY:

INSTALLATION & GROUND PREPARATION INSTRUCTIONS:

- Place the equipment on a level, well-drained ground, not less than 6.6 ft (2.0 m) from any structure or obstruction such as a fence, garage, house, overhanging branches, laundry lines, or electrical wires.
- Provide enough room so that children can use the equipment safely. For example, for structures with multiple play activities, a slide should not be placed in front of a swing.
- Separate active and quiet activities from each other. For example, locate sandboxes away from swings or use a guardrail or barrier to separate the sandbox from the movement of the swings.
- Do not install home playground equipment over concrete, asphalt, packed earth, grass, carpet, or any other hard surface. A fall onto a hard surface can result in serious injury to the equipment user.
- To prevent serious injury, warn children that they must not use the equipment until properly installed.
- Create a site free of obstacles that could cause injuries – such as low overhanging tree branches, overhead wires, tree stumps and/or roots, large rocks, bricks, and concrete.
- Choose a level location for the equipment. This can reduce the likelihood of the play set tipping over and loose-fill surfacing materials washing away during heavy rains.

PLAYGROUND AND SURFACE MATERIALS INSTRUCTIONS

Select Protective Surfacing

One of the most important things you can do to reduce the likelihood of serious head injuries is to install shock-absorbing protective surfacing under and around your play equipment. The protective surfacing should be applied to a depth that is suitable for the equipment height in accordance with ASTM Specification F1292. There are different types of surfacing to choose from; whichever product you select, follow these guidelines:

Loose Fill Materials

- Maintain a minimum depth of 9 inches (23 cm) of loose fill materials such as wood mulch/chips, engineered wood fiber (EWF), or shredded/recycled rubber mulch for equipment up to 8 feet (244 cm) high; and 9 inches (23 cm) of sand or pea gravel for equipment up to 5 feet (152 cm) high.

NOTE: An initial fill level of 12 inches (30 cm) will compress to about a 9-inch (23 cm) depth of surfacing over time. The surfacing will also compact, displace, and settle, and should be periodically refilled to maintain at least a 9-inch (23 cm) depth. Use a minimum of 6 inches (15 cm) of protective surfacing for play equipment less than 4 feet (122 cm) in height. If maintained properly, this should be adequate. (At depths less than 6 inches (15 cm), the protective material is too easily displaced or compacted.)

- Do not install home playground equipment over concrete, asphalt, or any other hard surface. A fall onto a hard surface can result in serious injury to the equipment user. Grass and dirt are not considered protective surfacing because wear and environmental factors can reduce their shock-absorbing effectiveness. Carpeting and thin mats are generally not adequate protective surfacing. Ground level equipment – such as a sandbox, activity wall, playhouse or other equipment that has no elevated play surface – does not need any protective surfacing.
- Use containment, such as digging out around the perimeter and/or lining the perimeter with landscape edging. Don't forget to account for water drainage.
- Check and maintain the depth of the loose fill surfacing material. To maintain the right amount of loose fill materials, mark the correct level on play equipment support posts. That way you can easily see when to replenish and/or redistribute the surfacing.
- Do not install loose fill surfacing over hard surfaces such as concrete or asphalt.

Poured-In-Place Surfaces or Pre-Manufactured Rubber Tiles

- You may be interested in using surfacing other than loose fill materials – like rubber tiles or poured-in-place surfaces. Installation of these surfaces generally requires a professional and are not a "do-it yourself" project.
- Review surface specifications before purchasing this type of surfacing. Ask the installer/manufacturer for a report showing that the product has been tested to the following safety standard: ASTM F1292 Standard Specification for Impact Attenuation of Surfacing Materials within the Use one of Playground Equipment. This report should show the specific height for which the surface is intended to protect against serious head injury. This height should be equal to or greater than the fall height – vertical distance between a designated play surface (elevated surface for standing, sitting, or climbing) and the protective surfacing below – of your play equipment.
- Check the protective surfacing frequently for wear.

Placements

- Proper placement and maintenance of protective surfacing is essential. Be sure to: extend surfacing at least 6.6 feet (2 m) from the equipment in all directions.
- For to-fro swings, extend protective surfacing in front of and behind the swing to a distance equal to twice the height of the top bar from which the swing is suspended. For tire swings, extend surfacing in a circle whose radius is equal to the height of the suspending chain or rope, plus 6.6 feet (2 m) in all directions.

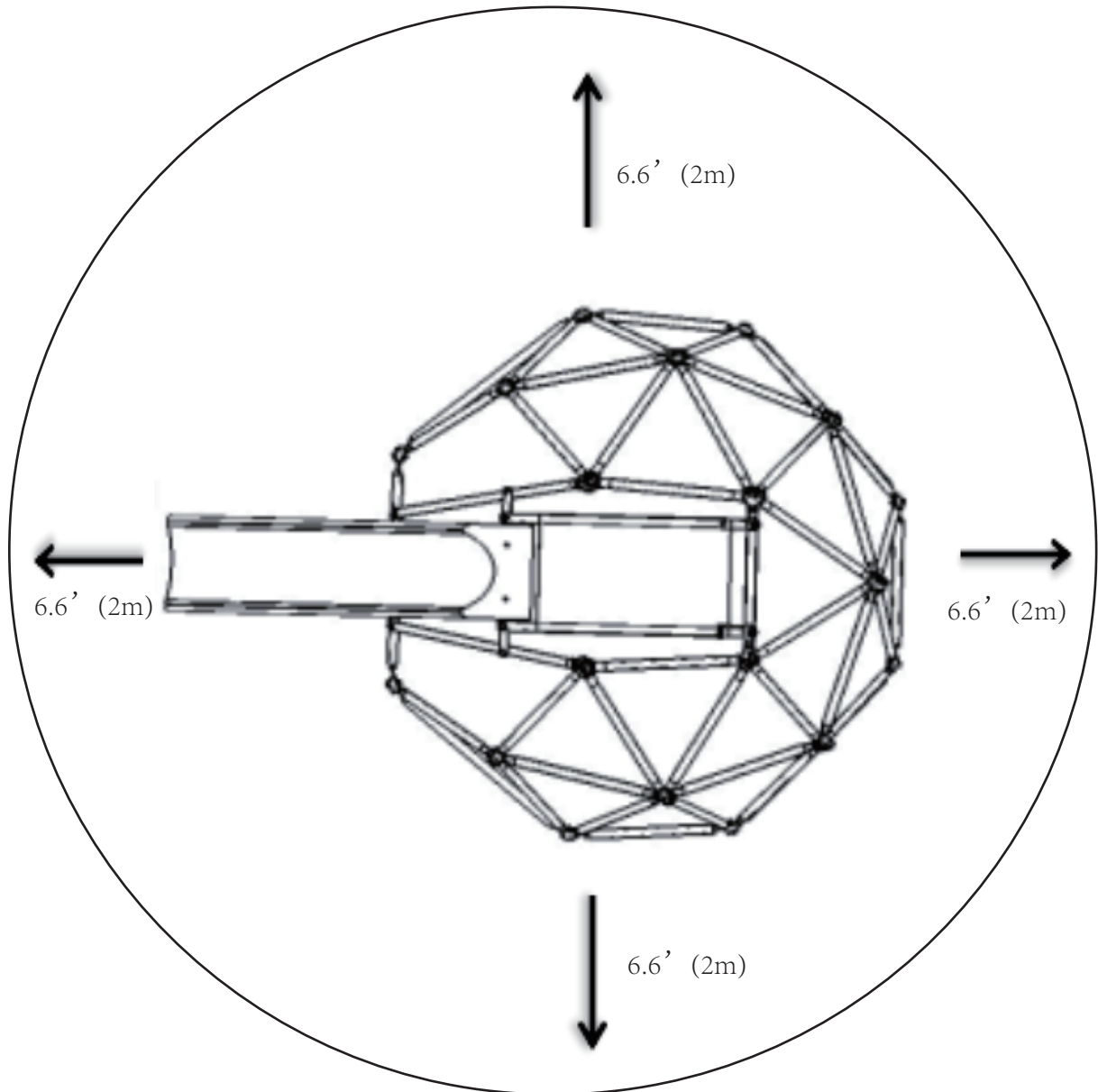
OPERATING INSTRUCTIONS

Observing the following instructions and warnings reduces the likelihood of serious or fatal injury:

- On-site adult supervision should be provided for children of all ages.
- Instruct children not to use the equipment in a manner other than intended.
- To prevent entanglement and strangulation, dress children appropriately, using well-fitting shoes and avoiding ponchos, scarves, jackets with neck drawstrings, helmets with straps, and other loose-fitting clothing that is potentially hazardous while using equipment.
- Instruct children not to play when the equipment is wet.
- Instruct children not to attach items to the playground equipment that are not specifically designed for use with the equipment, such as, but not limited to, jump ropes, clothesline, pet leashes, cables and chains, as they may cause a strangulation hazard. Do not move the equipment while in use.
- Place the equipment no less than 6.6 ft. (2.0 m) from any structure or obstruction such as a fence, garage, house, overhanging branches, laundry lines, or electrical wires.
- Impact surfacing needs to cover the entire recommended play area.

SAFE PLAY AREA

SAFETY ZONE - Place the equipment no less than 6.6 ft from any structure or obstruction such as a fence, garage, house, overhanging branches, laundry lines, or electrical wires. The impact surfacing needs to cover the entire recommended play area. Refer to the example below.



Play set dimensions:
6' X 8'
Recommended play area:
12'6" X 14'6"



1# x 4pcs

(34.3")



2# x 18pcs

(26")



3# x 17pcs

(24.6")



4# x 2pcs

(35.8")



5# x 1pc

(34.3")



6# x 1pc

(24.6")



7# x 1pc

(24.4")



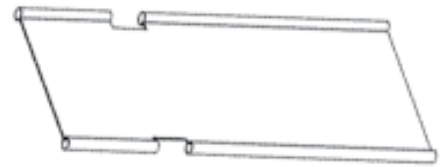
8# x 2pcs

(44.9")

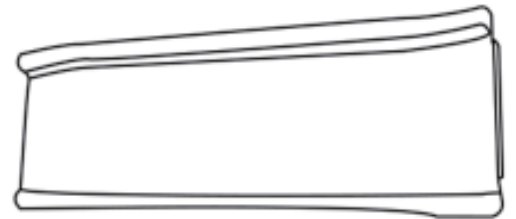


9# x 1pc

(17.3")



12# x 1pc



13# x 1pc



10#
(x 8pcs)



11#
(x 11pcs)



G1# Allen Key
(x 1pc)



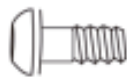
G2# Allen Key
(x 1pc)



H# Wrench
(x 1pc)



F1# M8 x 30mm
(x 19pcs)



F2# M8 * 40mm
(x 4pcs)



F3# M6 * 55mm
(x 6pcs)



F4# M6 * 35mm
(x 2pcs)



S1# M8 Nut
(x 19pcs)



S2# M8
Hooded Nut
(x 4pcs)



S3# M6
Hooded Nut
(x 8pcs)

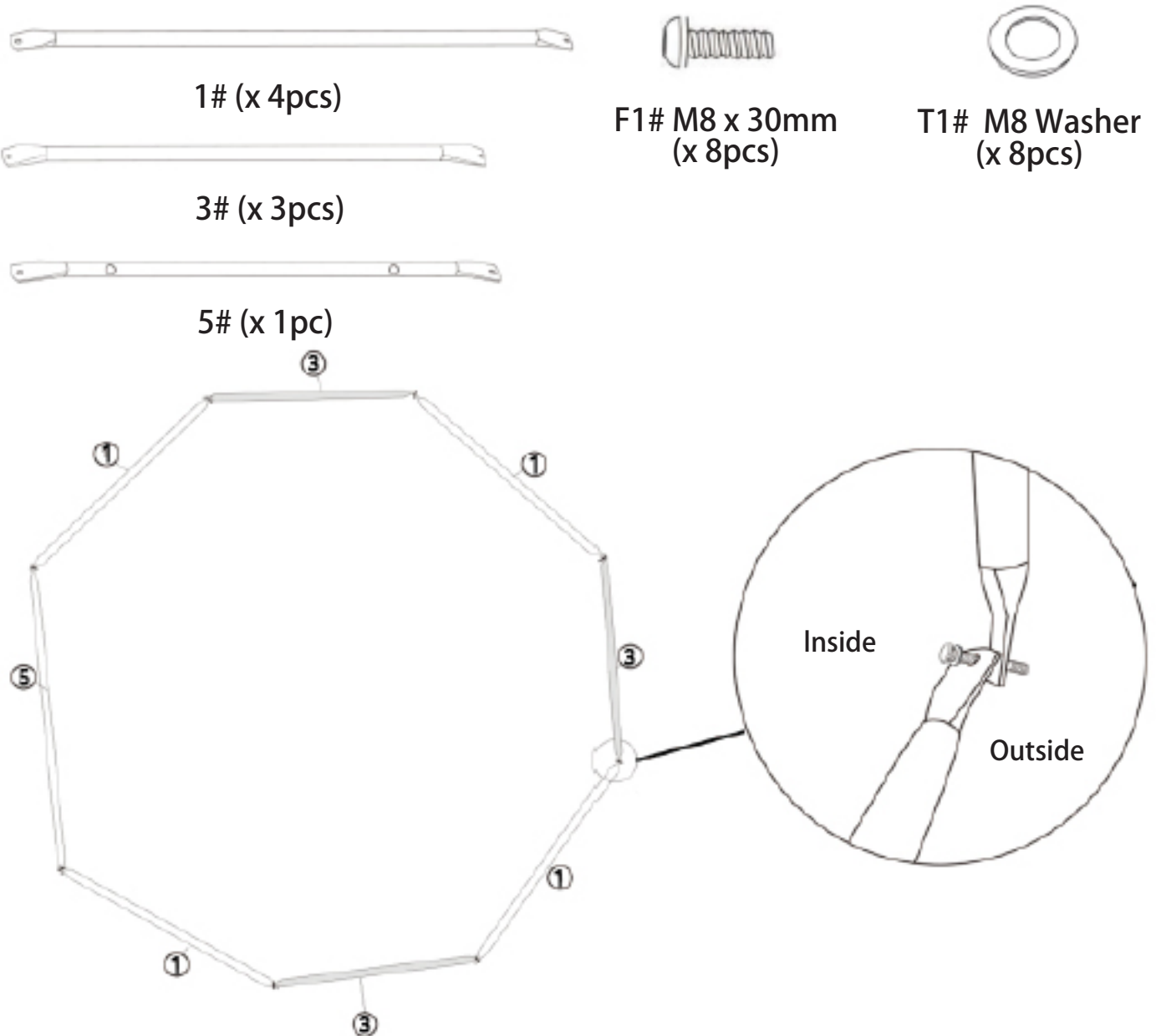


T1# M8 Washer
(x 27pcs)



T2# M6 Washer
(x 16pcs)

Step 1



Lay out 4pcs Tube#1, 3pcs Tube#3 and 1pc Tube#5 in sequence as shown above, connect them with #F1 Bolts and #T1 Washers to form an octagon.

You can use Nut to hold the Bolt the Washer in place temporarily, but **DO NOT** tighten the bolt at this step.

NOTE:

The bolts go through from inside out, with the head of the bolt on the inside. The convex side of the tube always faces inward of the dome.

Step 2

2



2# (x 6pcs)



3# (x 8pcs)



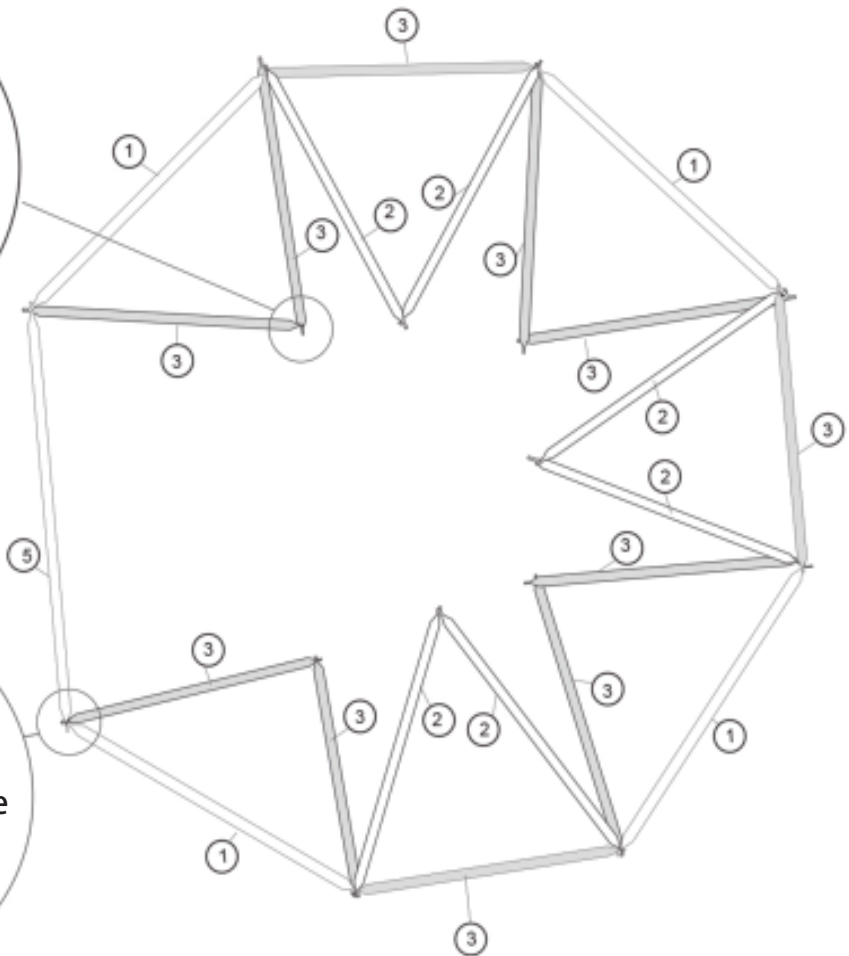
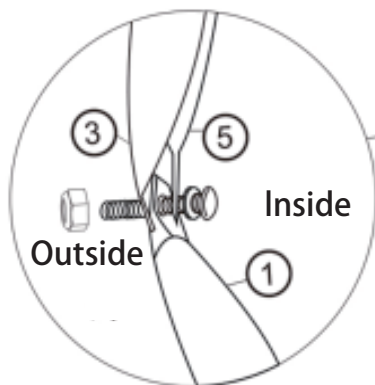
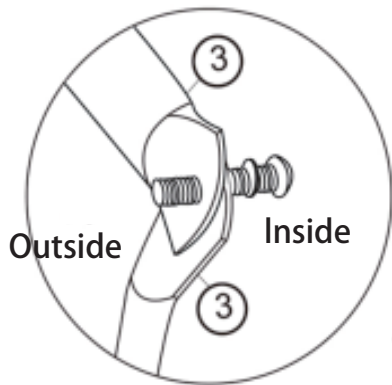
S1# M8 Nut
(x 8pcs)



F1# M8 x 30mm
(x 7pcs)



T1# M8 Washer
(x 7pcs)



Attach 2pcs tube#3 to both ends of tube#1, and 2pcs tube#2 to both ends of tube#3(at the bottom) to form upside-down V shapes with bolt and washer.

Repeat the same to make a total of 7 V shapes.

Secure the bottom 8 joints with M8 Flat Nut. Make sure the nuts are just tight enough to hold the pieces in place, but not fully tightened. It will help increase flexibility in following assembly.

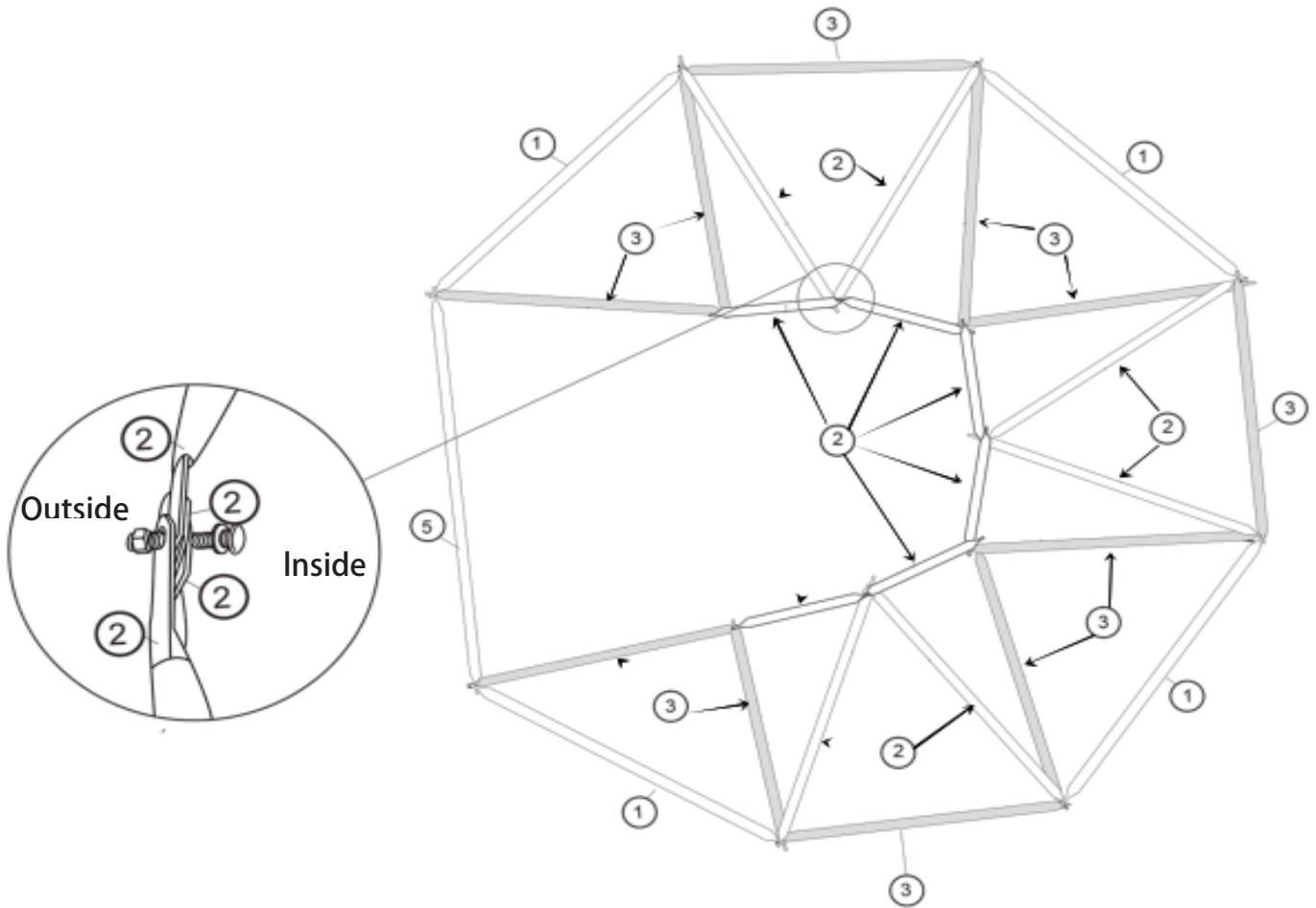
Step 3



2# (x 6pcs)



S1# M8 Nut
(x 7pcs)



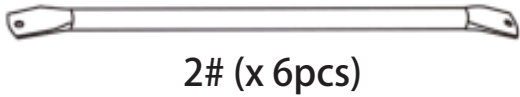
Connect the 7 V-shape top (triangle) together with 6pcs tubes#2, use 7pcs M8 Nut to hold the tubes in place.

*Do not fully tighten the flat nut at this step.

NOTE:

The bolts go through from inside out, with the head of the bolt on the inside. The convex side of the tube always faces inward of the dome.

Step 4



2# (x 6pcs)



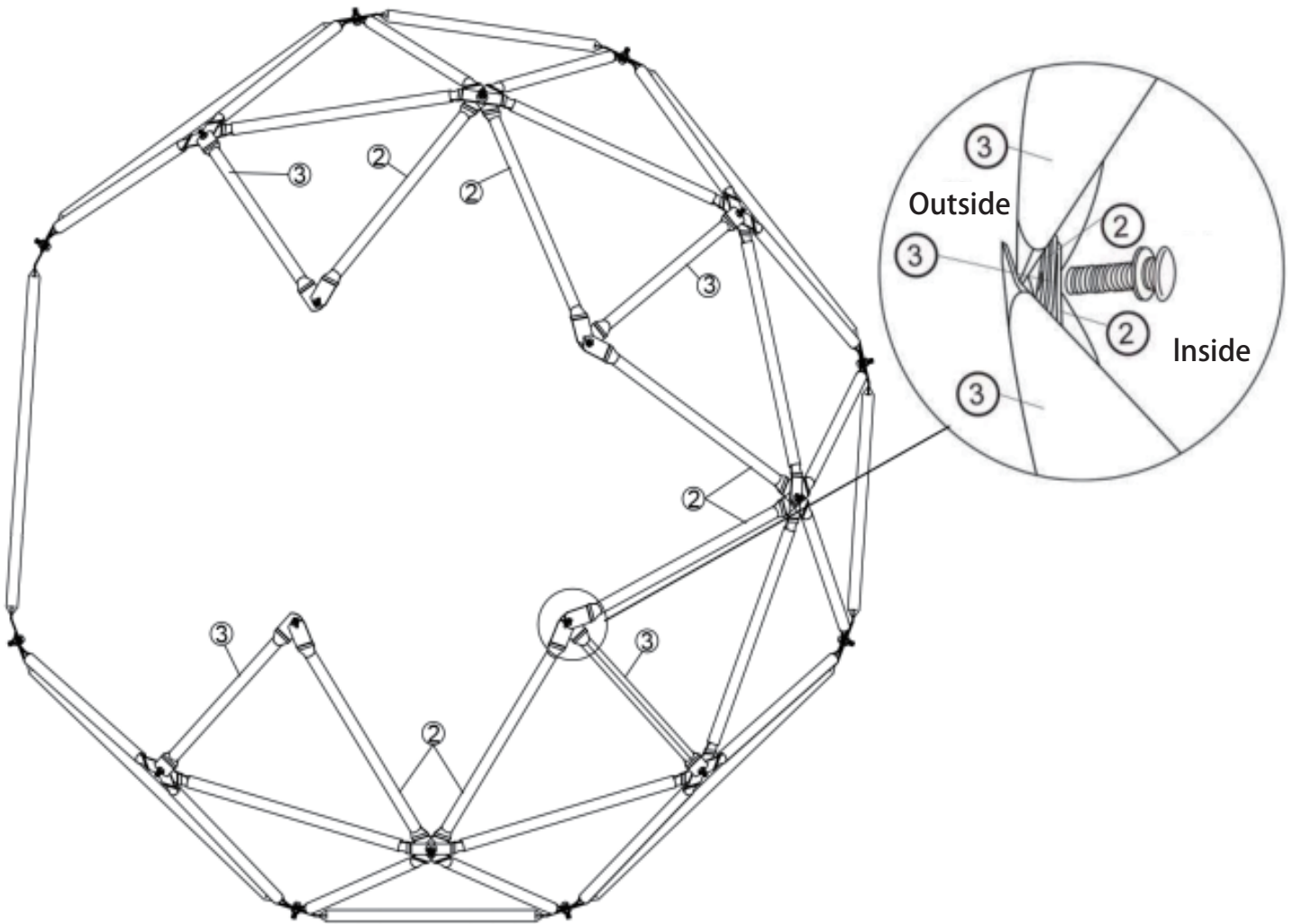
3# (x 4pcs)



F1# M8 x 30mm
(x 4pcs)



T1# M8 Washer
(x 4pcs)



Add 4pcs Tube#3 and 6pcs Tubes#2 in the order illustrated above to form the middle level.

Connect the tubes at the top with #F1 Bolt and #T1 Washer as shown.

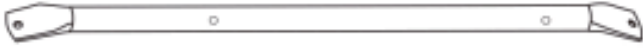
NOTE:

The bolts go through from inside out, with the head of the bolt on the inside.

Step 5



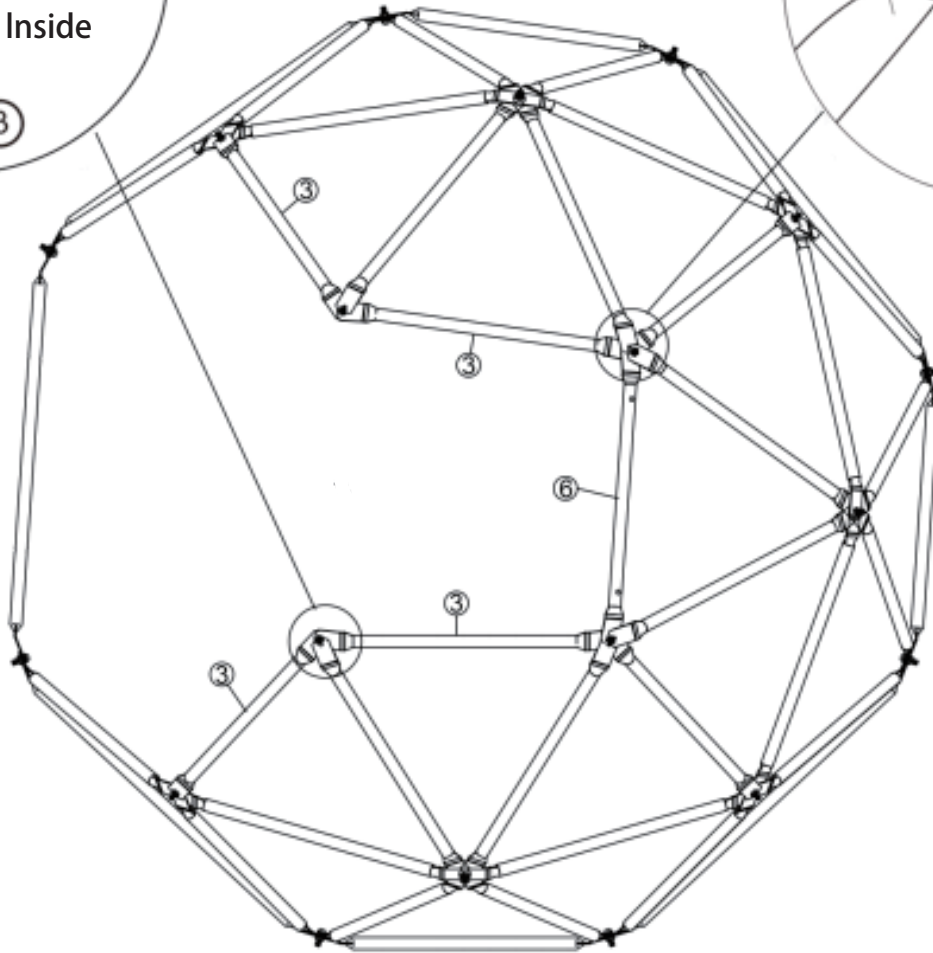
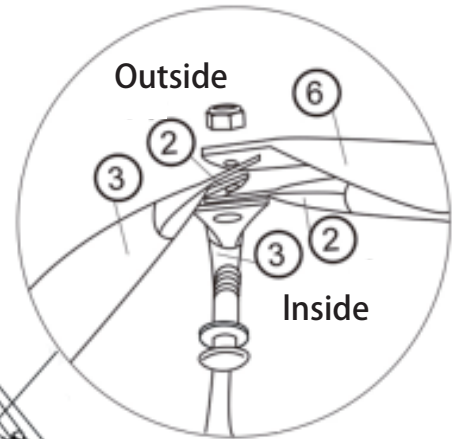
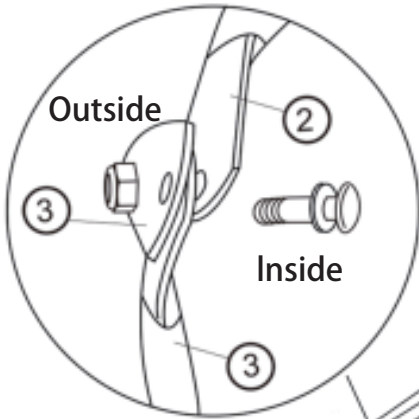
3# (x 2pcs)



6# (x 1pc)



S1# M8 Nut
(x 4pcs)



Connect the top of the 6 triangle shapes formed in step 4 with 2pcs Tube#3 and 1pc Tube#6, secure the joint with bolt and washer previously attached, and 4pcs M8 Nut #S1.

NOTE:

The bolts go through from inside out, with the head of the bolt on the inside. Do not fully tighten the nut at this step.

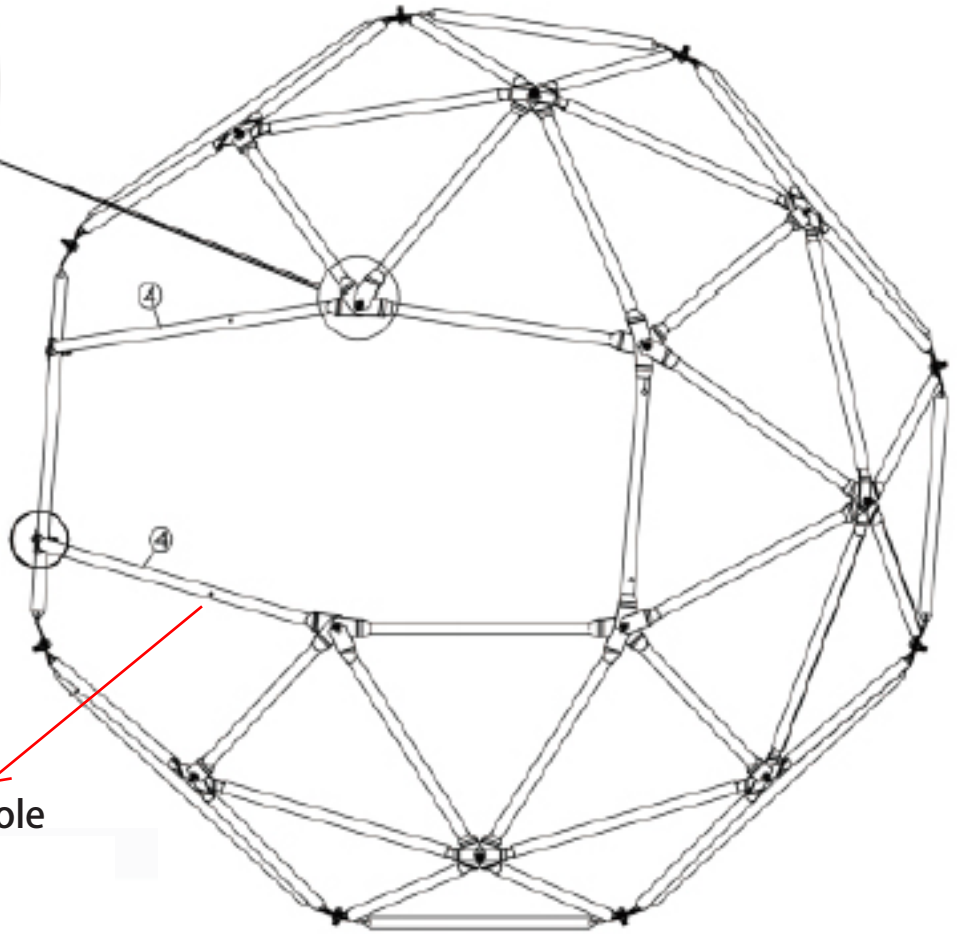
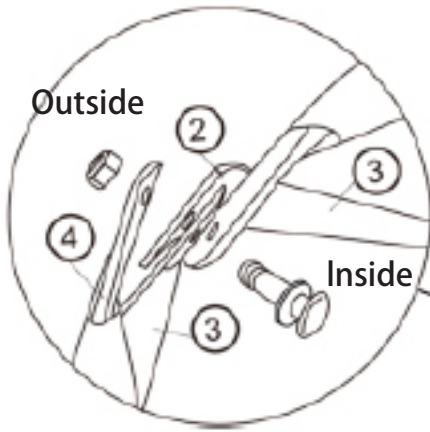
Step 6

(upper end) 4# (x 2pcs) (lower end)

F2 # M8 x 40mm
(x 2pcs)

T1# M8 Washer
(x 4pcs)

S2# M8 Hooded Nut
(x 2pcs)



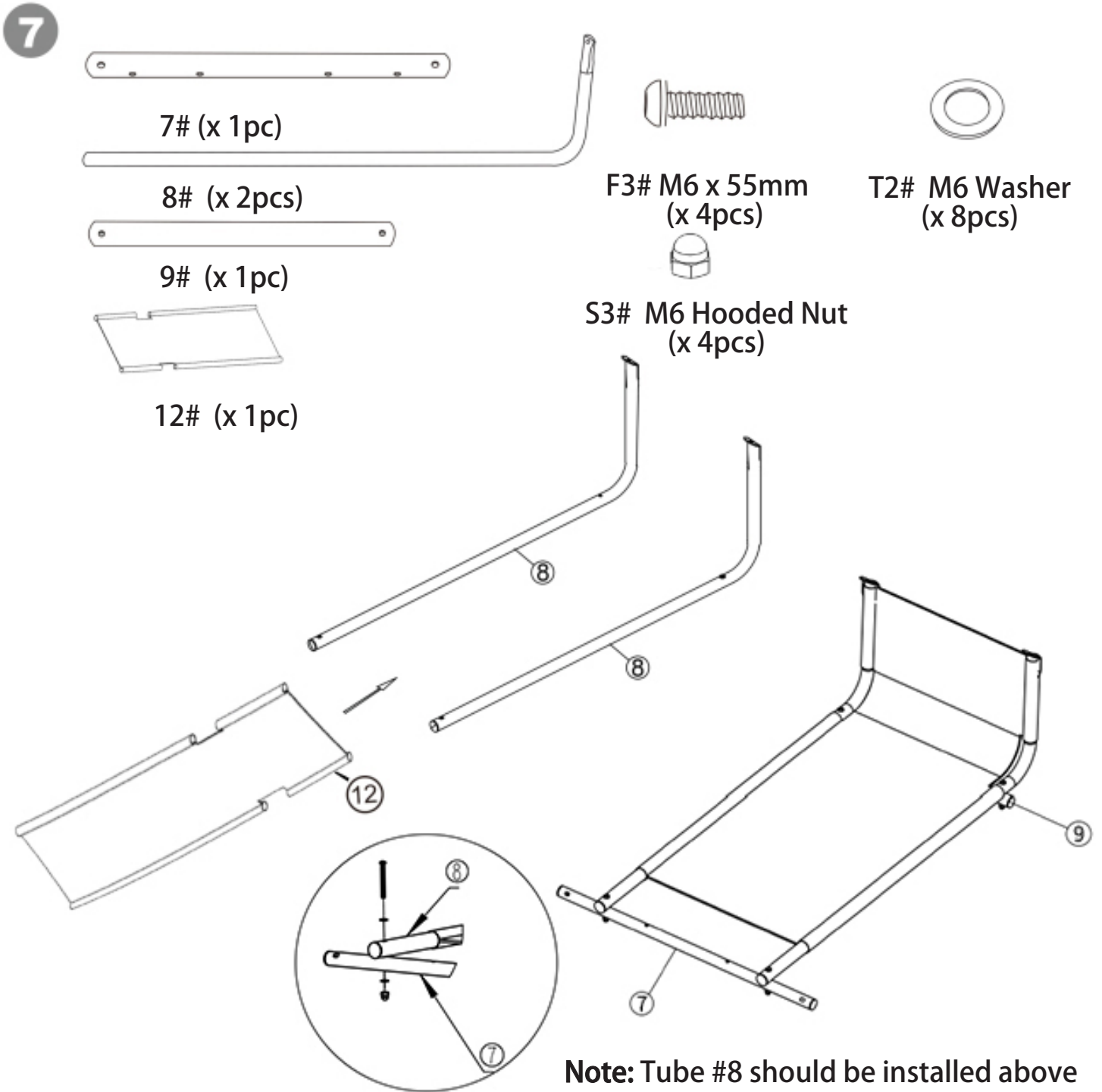
The end closer to the hole is the upper end

Add 2pcs Tube#4 as illustrated, secure the upper end with bolt, washer and nut previously attached, and the bottom end to Tube#5 with #F2 M8x40 Bolts, #T1 M8 Washers, and #S2 M8 Hooded Nuts.

NOTE:

The bolts go through from inside out, with the head of the bolt on the inside. Do not fully tighten the nut at this step.

Step 7



Insert 2pcs Tube #8 through the sleeve of Platform Mat #12.

Secure Tube #9 underneath Tube #8 as shown with #F3 M6 x 55, #T2 M6 Washers, and #S3 M6 Hooded Nut.

And then place Tube #7 underneath Tube #8, secure with #F3 M6 x 55, #T2 M6 Washers, and #S3 M6 Hooded Nut.

Step 8

8



F2# M8 x 40mm
(x 2pcs)



T1# M8 Washer
(x 4pcs)



S2# M8 Hooded
Nut (x 2pcs)



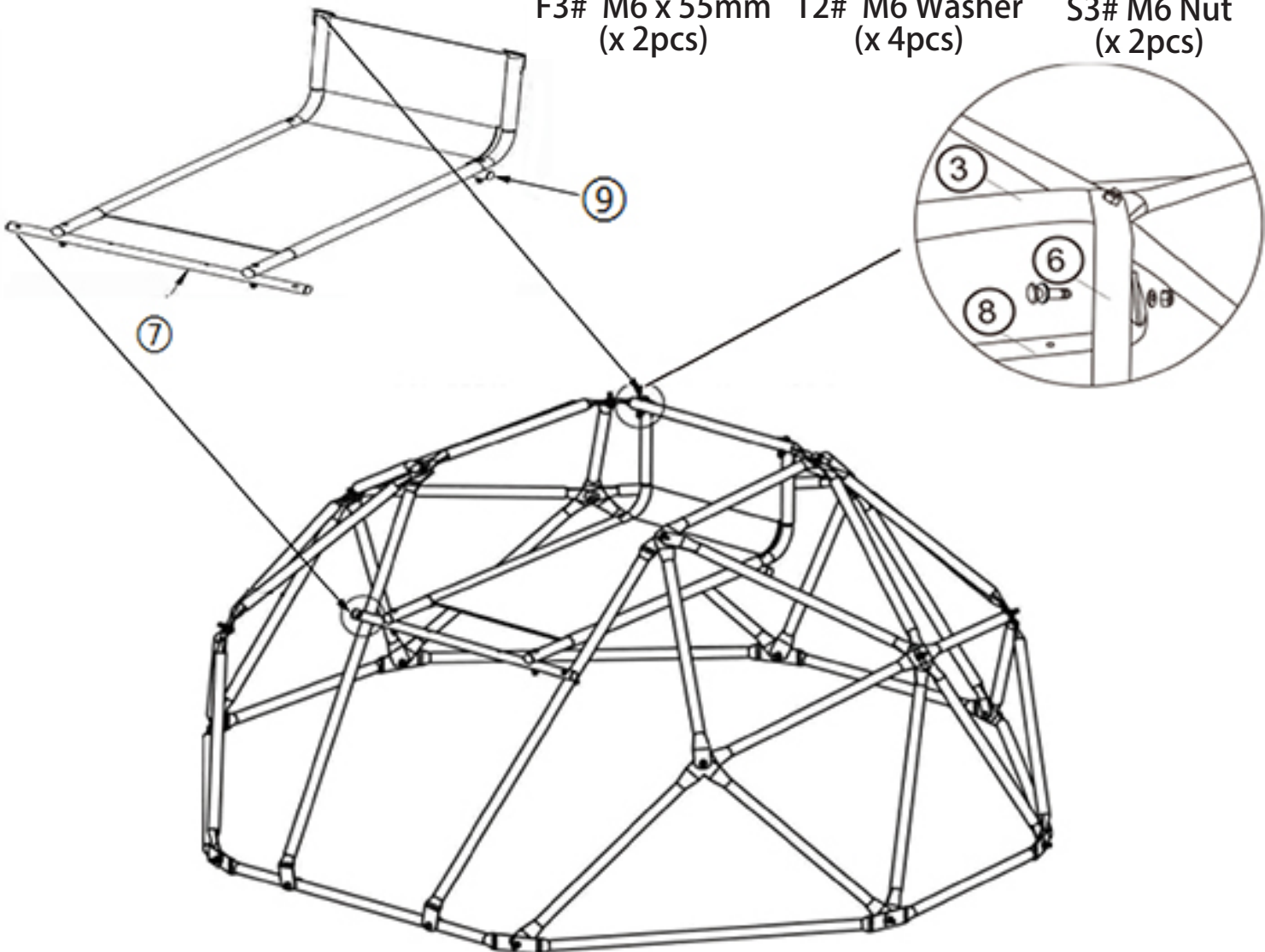
F3# M6 x 55mm
(x 2pcs)



T2# M6 Washer
(x 4pcs)



S3# M6 Nut
(x 2pcs)

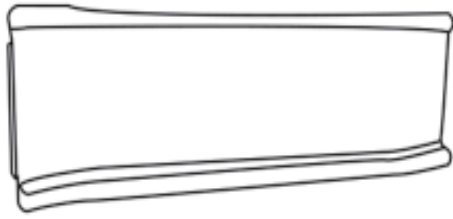


Install the 2pcs Tube #8 between Tube #6 and Tube #7.

Secure the upper end of Tube #8 to Tube #6 with #F2 M8x40 Bolt, #T1 M8 Washer, and #S2 M8 Hooded Nut.

Secure the lower end of Tube #8 to Tube #7 with #F3 M6x55 Bolt, #T2 M6 Washer, and #S3 M6 Hooded Nut.

Step 9



13# (x 1pc)



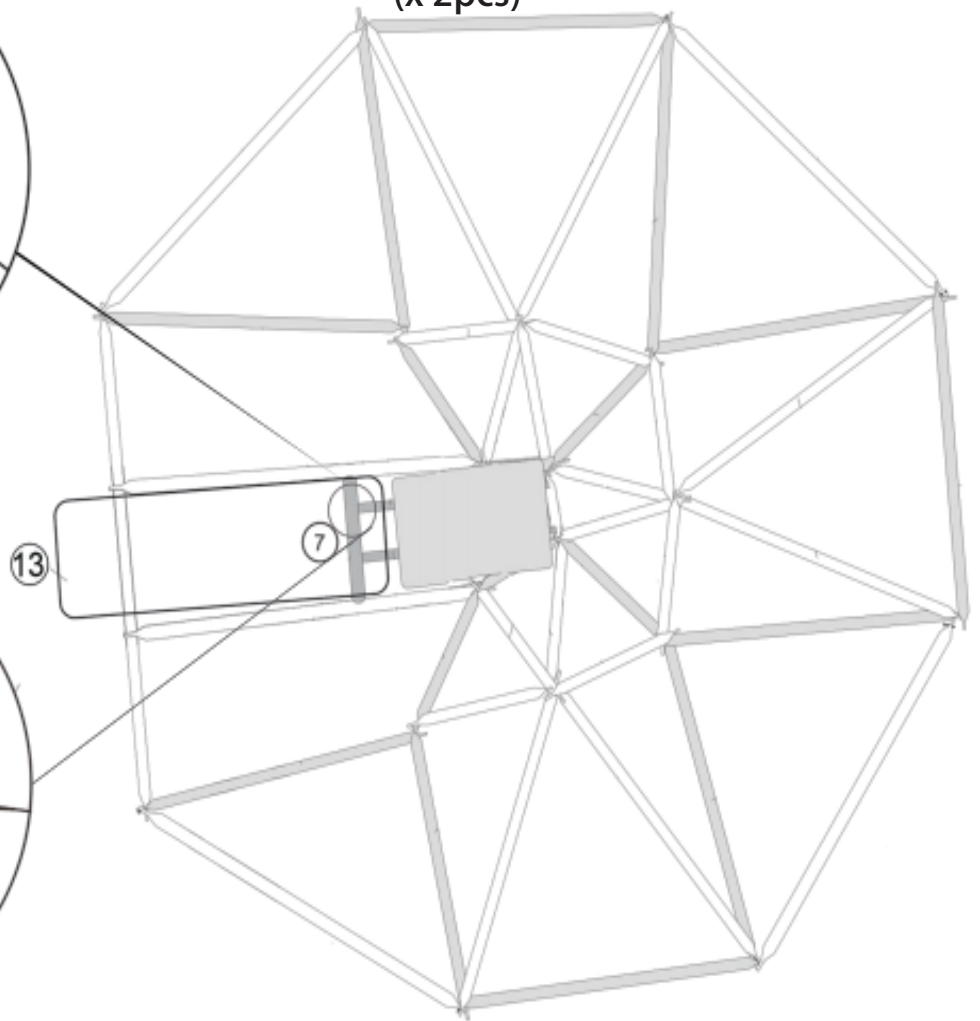
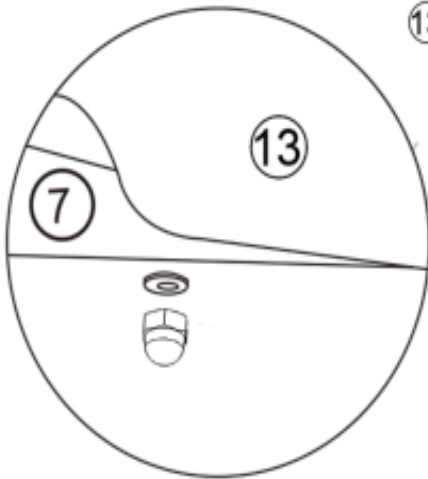
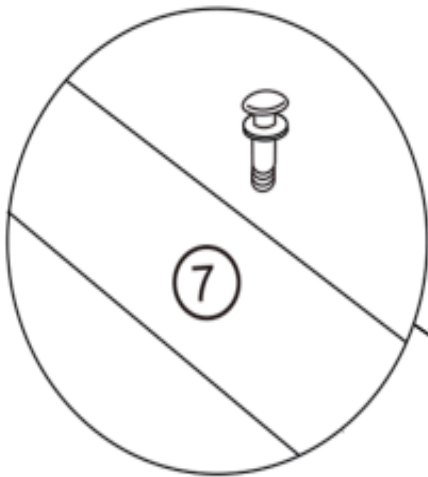
F4# M6x35mm
(x 2pcs)



T2# M6 Washer
(x 4pcs)

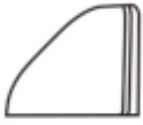


S3# M6 Hooded Nut
(x 2pcs)

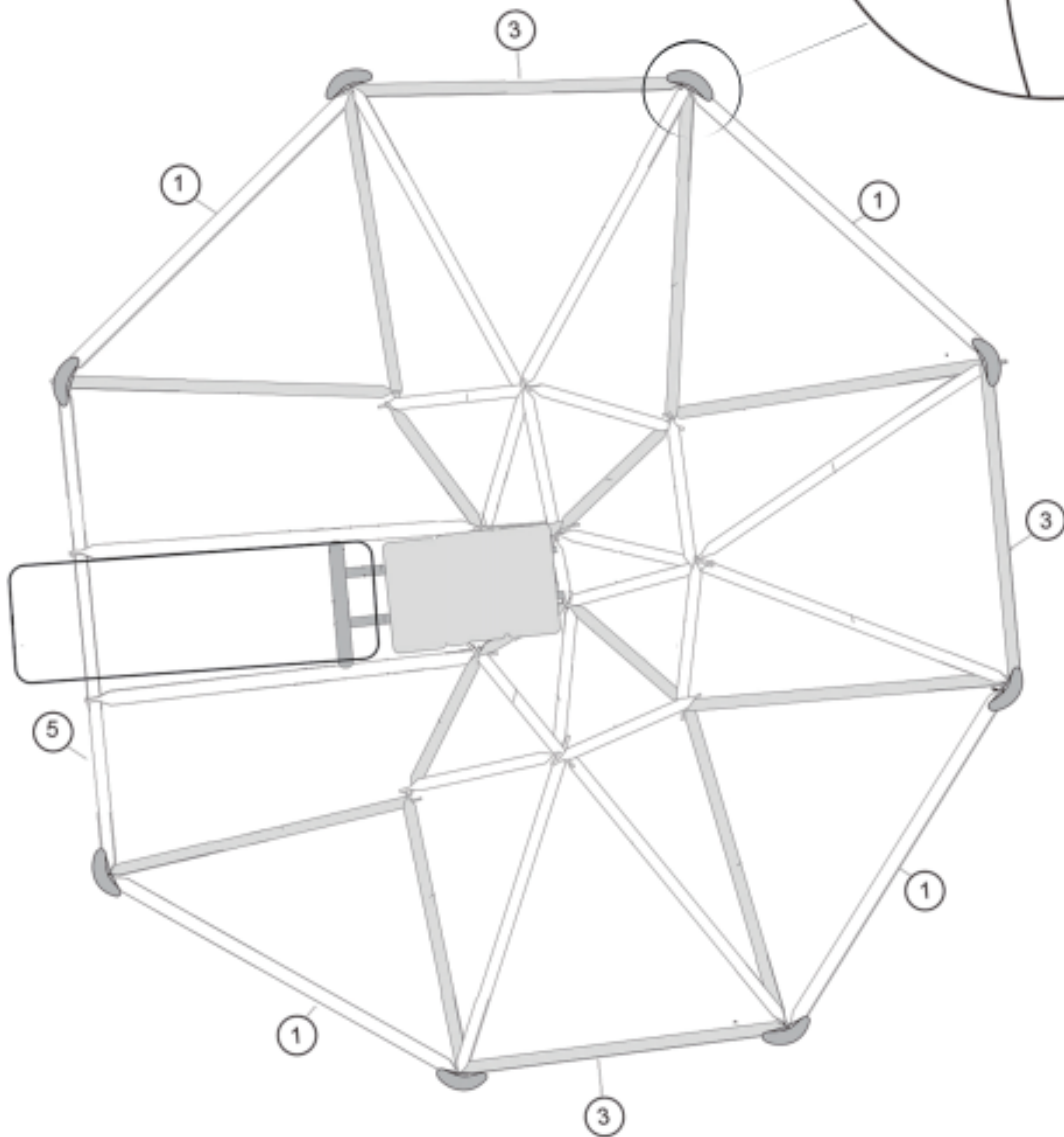
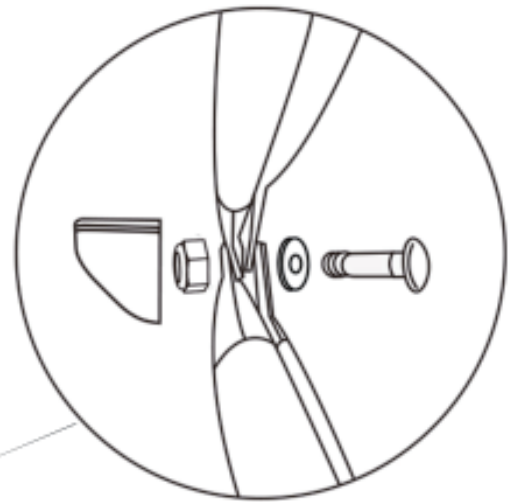


Attach the Slide #13 as illustrated, secure it to Tube #7 with M6x35 Bolt #F4, M6 Washer #T2, and M6 Hooded Nut S3.

Step 10



10# Small Climbing Grip
(x 8pcs)



Install the Climbing Grips to cover the bolt on each of the joint.

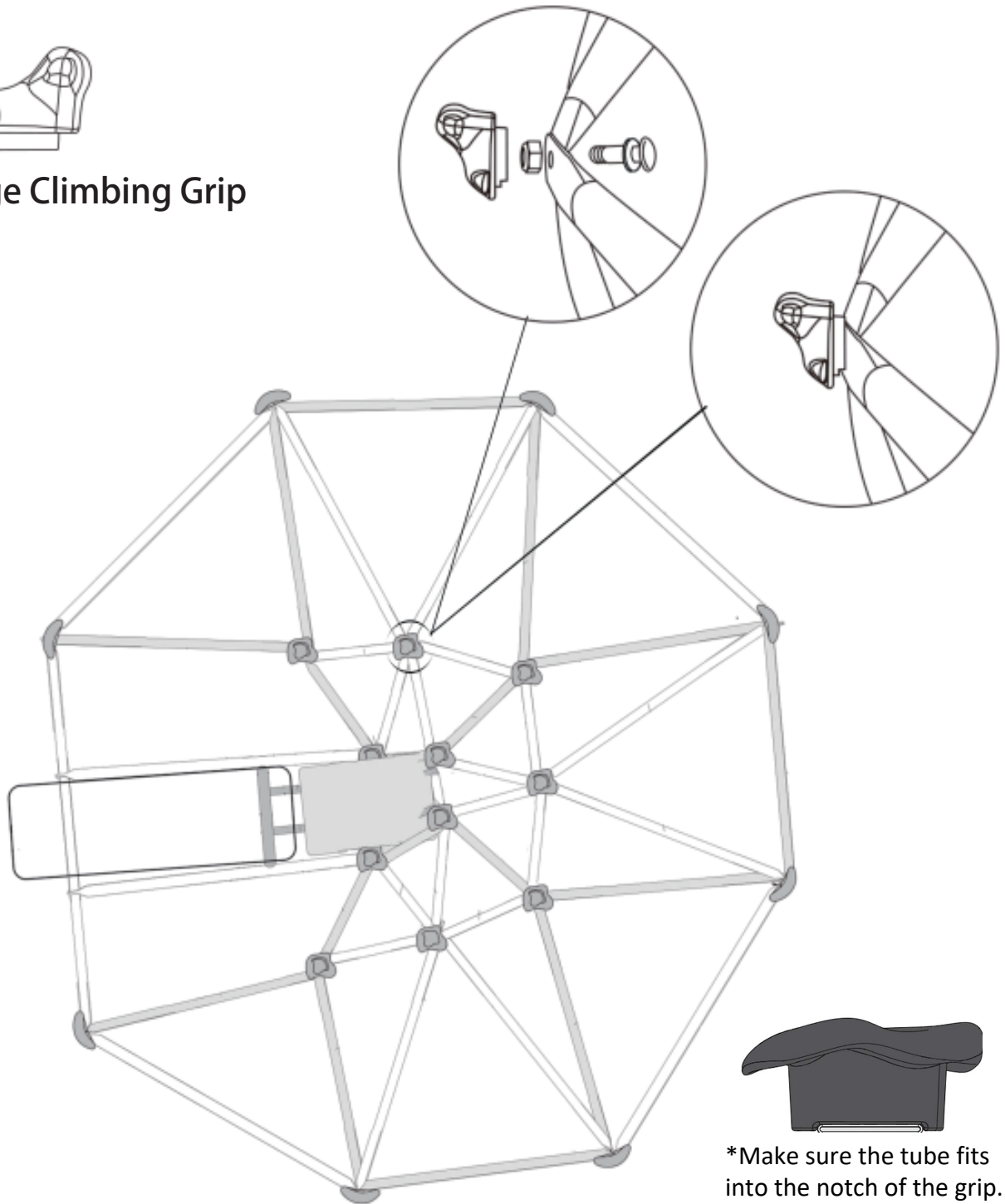
Add 8pcs Small Climbing Grips to the bottom joints.

*Make sure all bolts and nuts are tightened as much as possible before installing the climbing grips, so that they can be secured completely.

Step 11



11# Large Climbing Grip
(x 11pcs)



*Make sure the tube fits into the notch of the grip.

Install the Large Climbing Grips #11 on the joints not touching the ground. Line up the notch on the bottom of the climbing grip with the tube on the top of the joint.

*Make sure all bolts and nuts are tightened as much as possible before installing the climbing grips, so that they can be secured completely.