

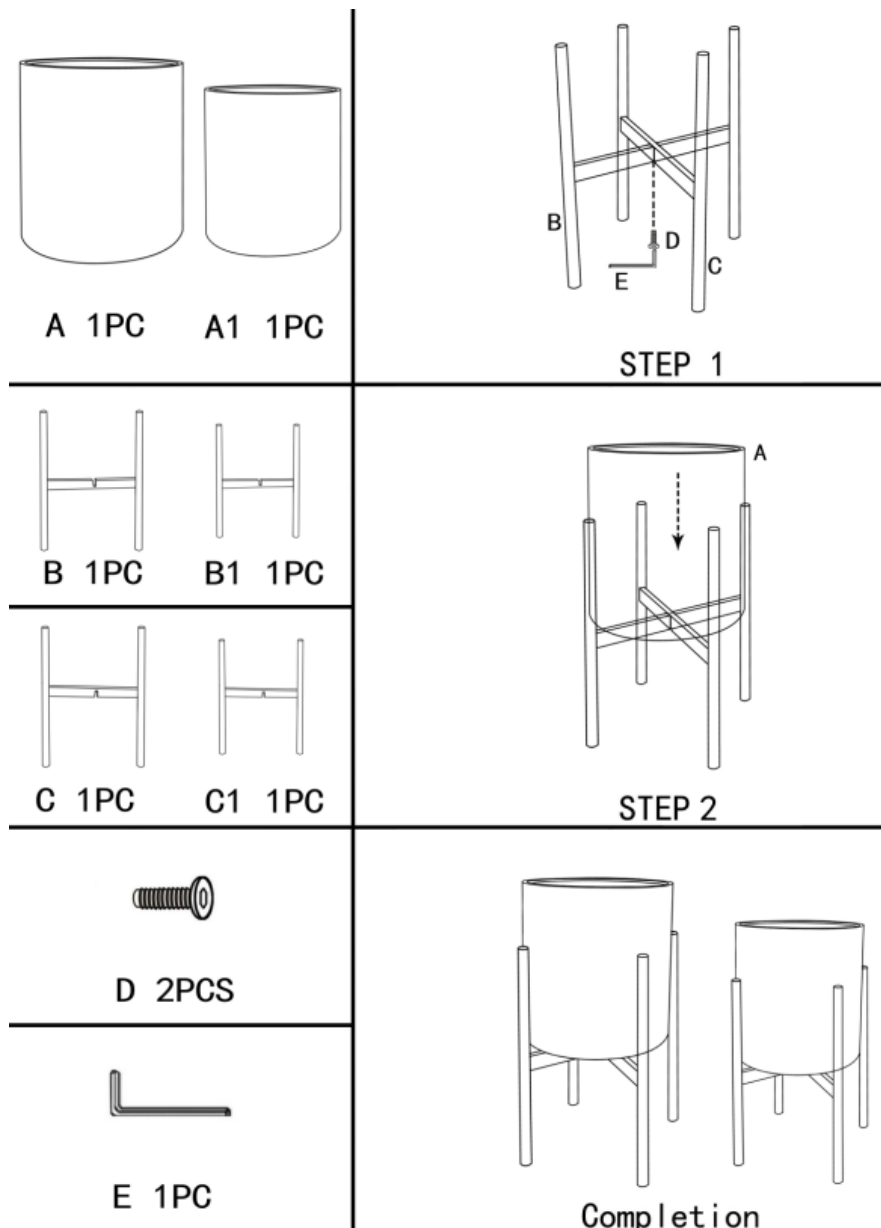
<b>Product Name:</b>	Two Piece White Metal Planters with Black Stand
<b>SKU #:</b>	WHPL1076

Thank you for purchasing this LuxenHöme product. This product has been manufactured with the highest standards of safety and quality.

**PLEASE READ ALL INSTRUCTIONS BEFORE ASSEMBLY.**

Unpack all parts from the packaging inside the carton to ensure there are no missing or damaged parts. Do not attempt to assemble or use the product if any parts are missing or damaged.

**Planter Stand Assembly:**



**Important:**

Tighten each bolt firmly. DO NOT over-tighten any of the bolts, as this may cause stripping. Metal cachepot planters are not waterproof or watertight. Not meant for direct planting.