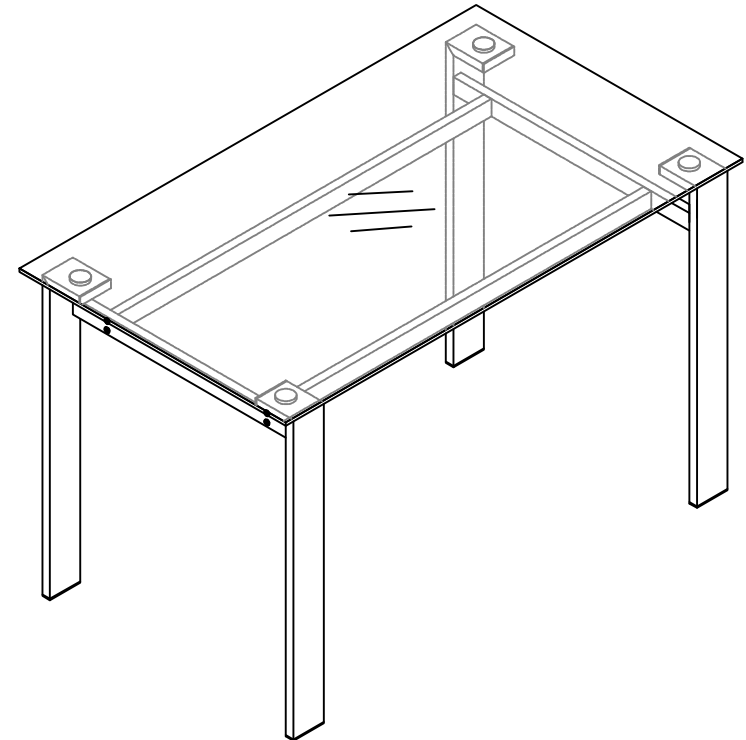


JST3002

JST3006

Important

Please inspect all items carefully before assembling.
If for any reason you need to return this item, you must return it in its original packaging.
Assembled items can not be returned.










Important Note:

*Place all parts on a clean and smooth surface such as a rug or carpet to avoid the parts from being scratched.

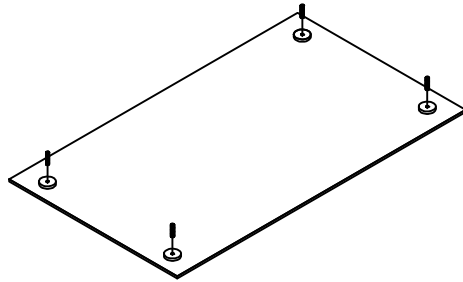
*Kindly follow the assembly instruction step by step.

*Don't tighten all screws until the table is fully set-up.

COMPONENTS LIST

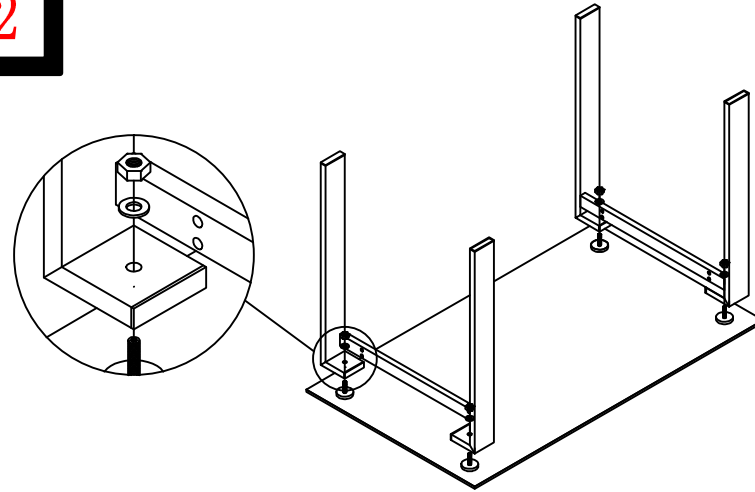
1	Top Glass	 x1	2	Frame#1	 x2	3	Frame#2	 x2
A	Screws#1	 x8	B	Screws#2	 x4	C	Nut	 x4
D	Allen Key	 x1						

1



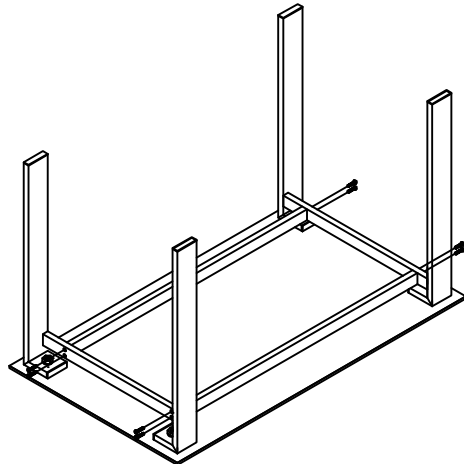
1	Top Glass		x1
B	Screws#2		x4



2



3	Frame#1		x2
C	Nut		x4

3



4	Frame#2		x2
A	Screws#1		x8

4

