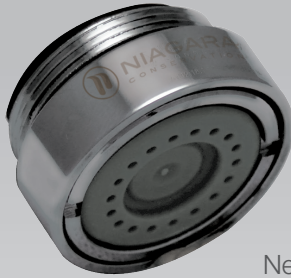


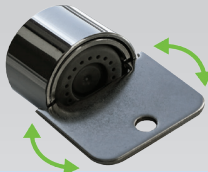
Tamperproof Faucet Aerator-Male



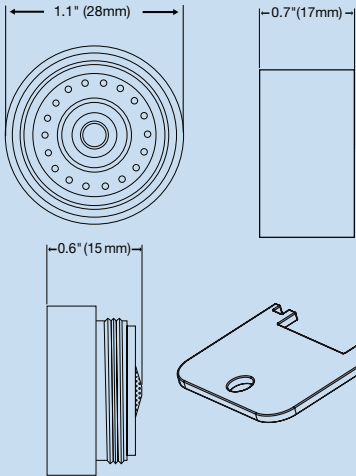
Bubble Spray



Needle Spray



Dimensions



*Dimensions are subject to change

Our Niagara Conservation branded Tamperproof Faucet Aerators produce forceful streams at a reduced flow rate that minimize the amount of energy needed to heat water. Pressure compensating technology guarantees a consistent flow rate across a wide range of pressure. These aerators are constructed of a chrome plated brass for durability. They also cannot be installed, or more importantly, removed or tampered with without a special key making these aerators perfect for commercial applications. These aerators fits standard size faucets: Male: 15/16-27

Features

- Fits most male or female threaded faucets, Male: 15/16-27, Female: 55/64-27
- Install/Uninstall key included
- 10 year warranty**
- Pressure compensating technology provides consistent output of water regardless of pressure

Certification and Performance Requirements

- ASME A112.18.1 / CSA B125.1; ANSI/NSF 61



| Model # | Spray | Finish | Flow Rate | Watersense | Case Qty |
|----------------|--------|--------|-----------|------------|----------|
| N3205NMTP-PC-T | Needle | Chrome | 0.5 GPM | Yes | 504 |
| N3210NMTP-PC-T | Needle | Chrome | 1.0 GPM | Yes | 504 |
| N3210BMTP-PC-T | Bubble | Chrome | 1.0 GPM | Yes | 504 |
| N3215NMTP-PC-T | Needle | Chrome | 1.5 GPM | Yes | 504 |
| N3215BMTP-PC-T | Bubble | Chrome | 1.5 GPM | Yes | 504 |

Potential Annual Savings¹

| | Flow Rate | Water | Electric Heating | Gas Heating |
|------------------------|-----------|----------------|------------------|-------------|
| Dollar Savings | 1.0 GPM | \$104 | \$67 | \$37 |
| Utility Savings | 1.0 GPM | 10,512 Gallons | 594 kWh | 33 Therms |
| Dollar Savings | 1.5 GPM | \$51 | \$39 | \$21 |
| Utility Savings | 1.5 GPM | 6,132 Gallons | 347 kWh | 19 Therms |

¹Factors in calculating savings potential:

- 3-person households each person using a faucet 8 minutes per day, 365 days per year (AWWARF Residential Study)
- Comparing water use with these aerator vs. a standard 2.2 GPM unit
- US city average water and sewer cost of \$8.3 per 1,000 gallons (study done by NUS Consulting Group 2011)
- Average cost of electricity 0.113¢ per kWh (Energy Star Nov. 2013 Lightbulb Calculator — http://www.energystar.gov/?c=cfls_pr_cfls_savings)
- Average cost of gas \$1.137 per therm (Bureau of Labor Statistics April 2014)
- Calculations done by <http://www.fishnick.com/savewater/tools/watercalculator>

**WARRANTY DETAILS

AM Conservation Group, Inc. guarantees to the original purchaser or recipient of an aerator that it is free from defects in material and workmanship for a period of 10 years. AM Conservation Group, Inc. will at our choice replace any part of the aerator which is in our opinion defective provided that the product has not been abused, misused, altered, or damaged after its purchase. This includes damage due to the use of tools or harsh chemicals. In the event a product has been discontinued, AM Conservation Group, Inc. will replace it with what we determine to be the closest product. AM Conservation Group, Inc. is not responsible for labor charges, installation, or other consequential cost. AM Conservation Group, Inc.'s responsibility shall not exceed the original cost of the product.

