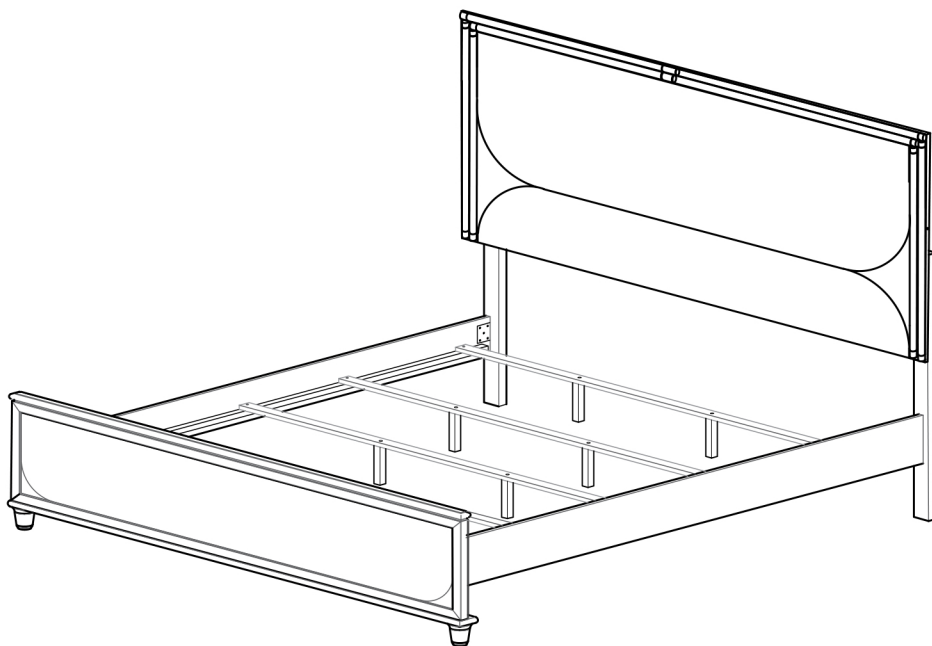
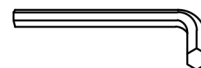


# ASSEMBLY INSTRUCTIONS



## TOOLS REQUIRED



Allen Wrench

(Included)



Screwdriver

(Not Included)



2 - Persons  
Recommended

## ASSEMBLY RATING



EASY —————> DIFFICULT

The Assembly Rating is a 5-point system showing the level of effort needed to assemble a specific product.



## **CHECK BEFORE STARTING**

- Are you missing anything?**  
Double-check all parts, hardware and accessories listed are all accounted for.
- Check out our Quick Tips!**  
We recommend reviewing the pre-assembly handouts. Even experts need a refresher now and then!
- Should we send any replacements?**  
Are there any irregularities or flaws in the parts? We can send replacements!
- Prep Time!**  
Please review the assembly instructions and all diagrams prior to assembling.

# PRE ASSEMBLY INTRODUCTION

We understand building ready-to-assemble furniture can be a challenging experience for some. To help avoid confusion, we have provided some helpful tips that may speed up the process.



## Teamwork

ALWAYS have at least two people to help with transporting and assembling the product to avoid potential injury and/or damage.



## Suitable Location

Assembling near the area of the intended location is highly recommended.



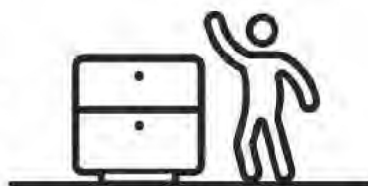
## Sufficient Space

Make sure you have enough space to move around during the assembly.



## Avoid Scratches

Use cardboard, blankets or a carpeted area while assembling furniture to prevent scratches and damages.



## Flat Surface

Make sure the furniture rests on a flat and level surface with each leg evenly touching the floor.

# ASSEMBLY AND CARE ADVICE



**FAILURE TO FOLLOW THE GUIDELINES BELOW MAY RESULT IN INJURY AND/OR PROPERTY DAMAGE.**



Position each part correctly and insert screws or bolts into their respective holes.



Turn clockwise to tighten and only tighten when step is completed or when instructed to do so.



Use the appropriate hand tools or power tools for assembly. Select steps, such as tightening screws and/or bolts, may require hand tools to avoid causing damage during assembly.



Save the instructions and store any supplied tools for later maintenance.



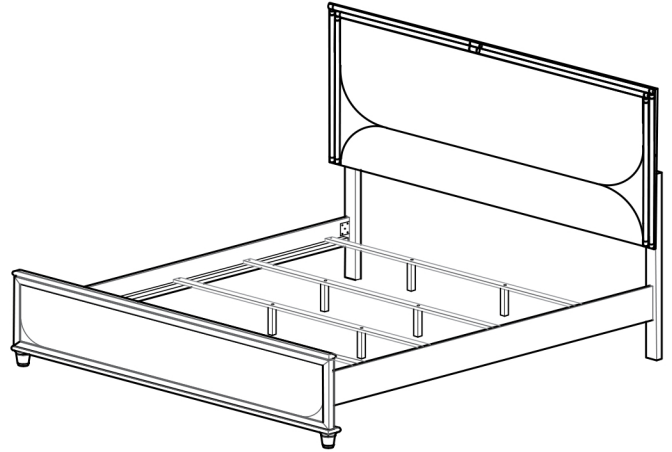
After two weeks, check and tighten any loose hardware and repeat again every six months thereafter.

**IT IS THE USER'S RESPONSIBILITY TO MAINTAIN THE FURNITURE. THE HARDWARE MAY LOOSEN OVER TIME AND MAY CAUSE THE FURNITURE TO BE WOBBLY AND UNABLE TO SUPPORT ITS INTENDED WEIGHT CAPACITY. THIS MAY LEAD TO COLLAPSE AND MAY CAUSE SERIOUS INJURY.**

# KING BED



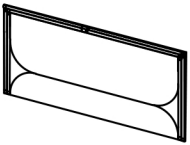
- Please keep instructions for future reference.
- Check the quantity and irregularity of parts and hardware before you start.



## **PARTS**

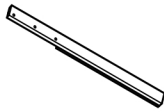
### PART LIST OF HEADBOARD

1 1pc



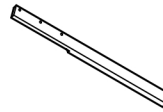
Headboard

2 1pc



Headboard Leg - (R)

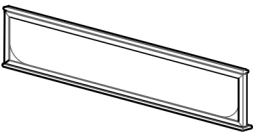
3 1pc



Headboard Leg - (L)

### PART LIST OF FOOTBOARD

4 1pc



Footboard

5 2pcs



Acrylic Leg

6 4pcs



Slat

7 8pcs



Slat Support Leg  
190mm x 30mm x 30mm

### PART LIST OF SIDE RAIL

8 2pcs



Side Rail

# HARDWARE

## HARDWARE PACK IN HEADBOARD

A 1pc



Allen Key

B 6pcs



JCBC M6 x 35mm

C 6pcs



M6 Spring Washer

D 6pcs



M6 Flat Washer

E 1pc



AC Adapter

## HARDWARE PACK IN FOOTBOARD

F 1pc



Allen Key

G 8pcs



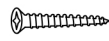
JCBC M6 x 35mm

H 8pcs



M6 Spring Washer

I 8pcs



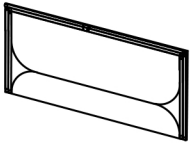


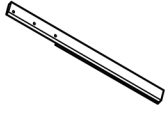


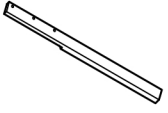






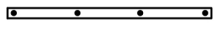
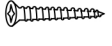
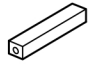
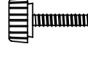

Screw 32mm

J 8pcs



Adjustable Leveller

## POINT 3 CARTONS

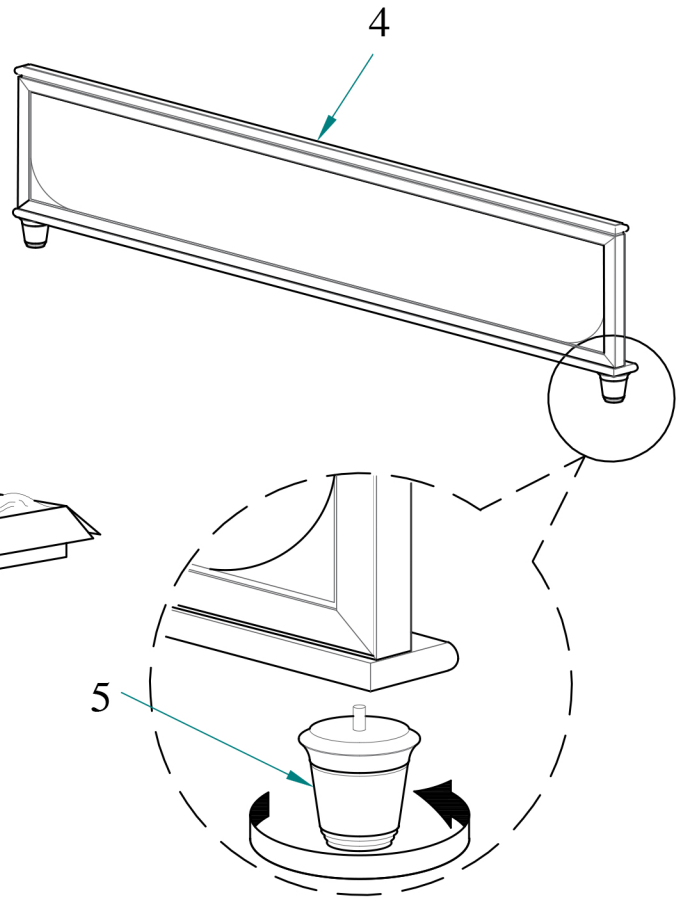
Carton	Designation		Part	Hardware
	Headboard (1pc)	1		 A x 1pc  B x 6pcs
	Headboard Leg - (R) (1pc)	2		 C x 6pcs  D x 6pcs
	Headboard Leg - (L) (1pc)	3		 E x 1pc
	Footboard (1pc)	4		 F x 1pc
	Acrylic Leg (2pcs)	5		 G x 8pcs  H x 8pcs
	Slat (4pcs)	6		 I x 8pcs
	Slat Support Leg (8pcs)	7		 J x 8pcs
	Side Rail (2pcs)	8		



# 3

Part 4 x 1pc

Part 5 x 2pcs

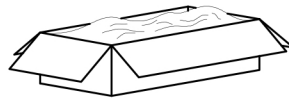


Acrylic Leg cover



Remove Acrylic Leg cover before assembly.

5



5

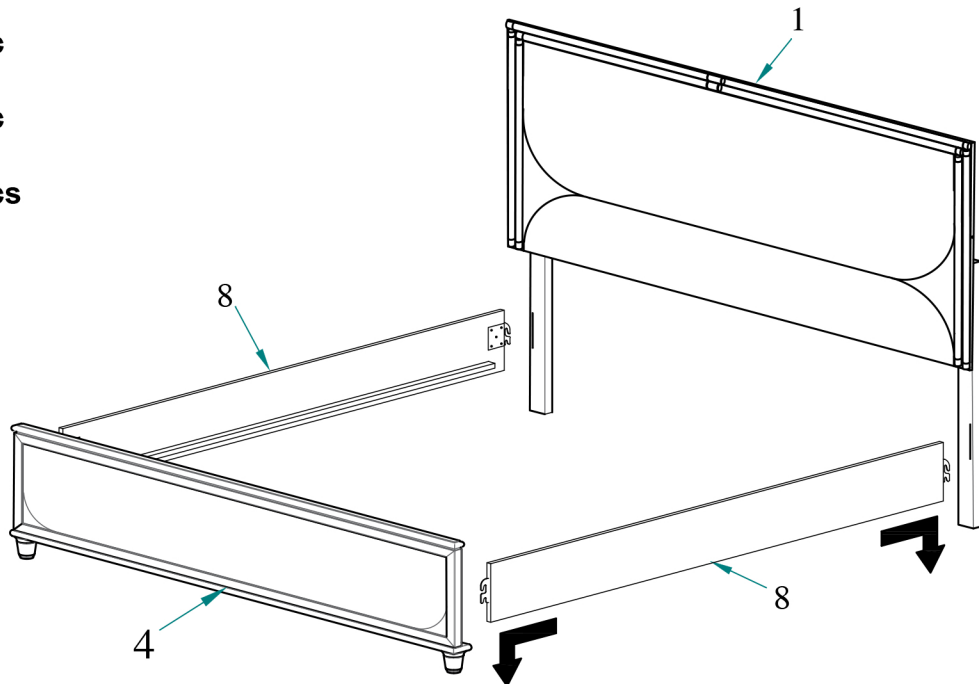
# 4

Attach the (8) Side Rail to the (1) Headboard & (4) Footboard.

Part 1 x 1pc

Part 4 x 1pc

Part 8 x 2pcs

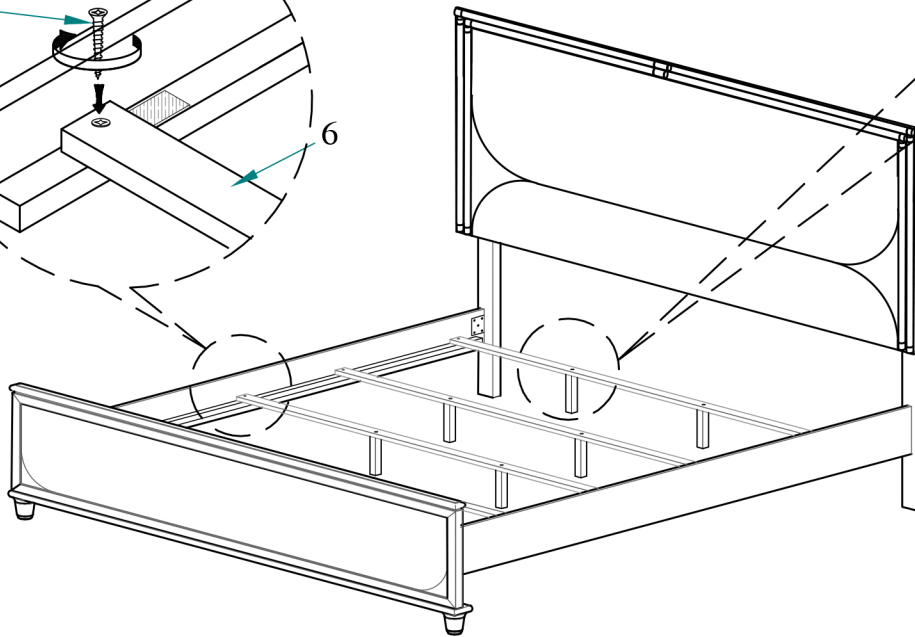
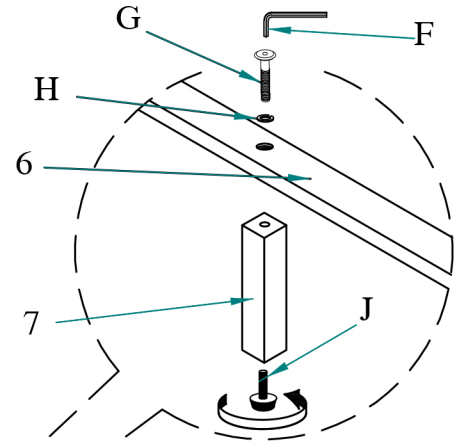
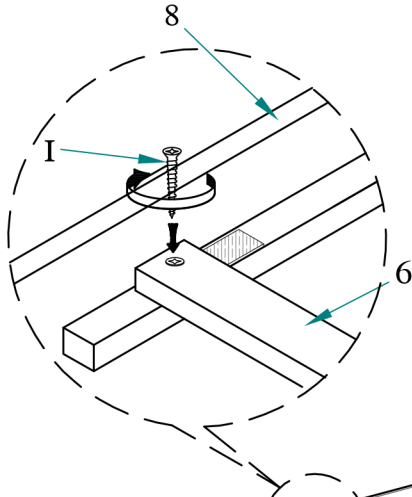


# 5

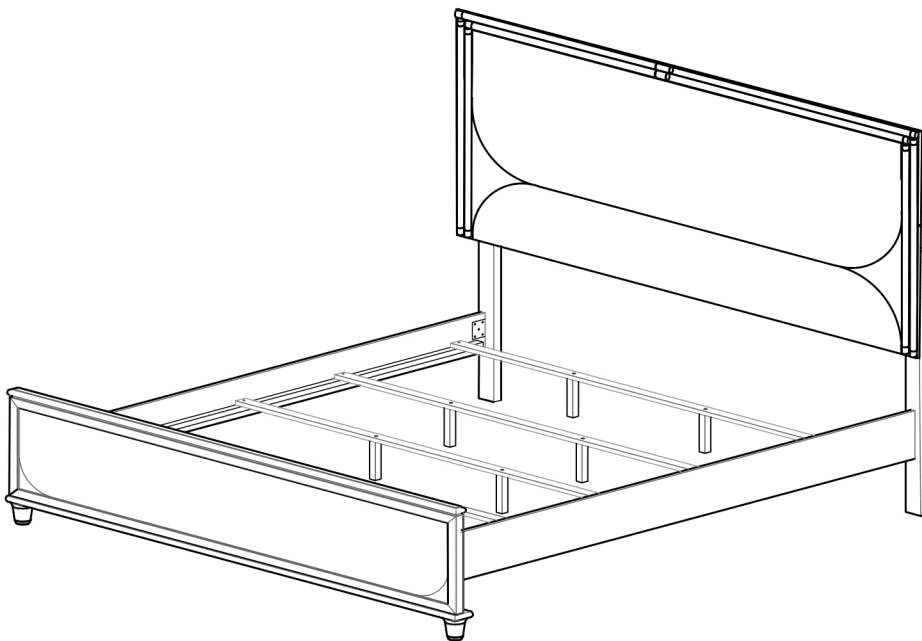
- Part 6 x 4pcs      Hardware F x 1pc
- Part 7 x 8pcs      Hardware G x 8pcs
- Part 8 x 2pcs      Hardware H x 8pcs
- Hardware I x 8pcs
- Hardware J x 8pcs

Attach (7) Slat Support Leg to the bottom of (7) Slat using (G) JCBC M6 x 35mm & (H) M6 Spring Washer. Attach the (J) Adjustable Leveler and adjust it to level the bed with the floor.

Secure the (4) Slat using the (I) screw 32mm provided.



# 6



**ASSEMBLY COMPLETED**

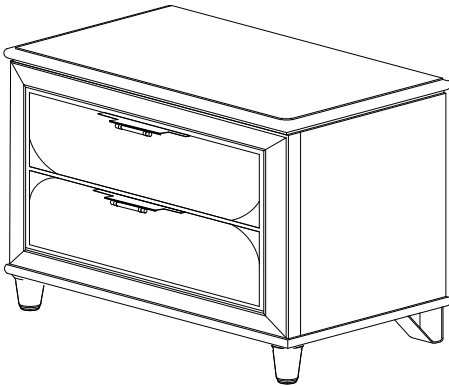
Please ensure the furniture rests on an even and flat surface. If the product wobbles or feels loose, double-check all bolts and/or screws are properly tightened and secured.

- ✓ Keep this handy! Please retain this instruction manual and any order-related information for future reference.
- ✓ Lift, don't drag! To avoid damage to product please always LIFT the product when transporting or adjusting the placement.

This product is intended for RESIDENTIAL USE ONLY and not for commercial use.

# ASSEMBLY INSTRUCTIONS

---



## TOOLS REQUIRED



Allen Wrench

(Included)



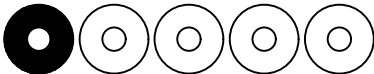
Screwdriver

(Not Included)



2 - Persons  
Recommended

## ASSEMBLY RATING



EASY —————> DIFFICULT

The Assembly Rating is a 5-point system showing the level of effort needed to assemble a specific product.



## **CHECK BEFORE STARTING**

- Are you missing anything?**  
Double-check all parts, hardware and accessories listed are all accounted for.
- Check out our Quick Tips!**  
We recommend reviewing the pre-assembly handouts. Even experts need a refresher now and then!
- Should we send any replacements?**  
Are there any irregularities or flaws in the parts? We can send replacements!
- Prep Time!**  
Please review the assembly instructions and all diagrams prior to assembling.

# PRE ASSEMBLY INTRODUCTION

We understand building ready-to-assemble furniture can be a challenging experience for some. To help avoid confusion, we have provided some helpful tips that may speed up the process.



## Teamwork

ALWAYS have at least two people to help with transporting and assembling the product to avoid potential injury and/or damage.



## Suitable Location

Assembling near the area of the intended location is highly recommended.



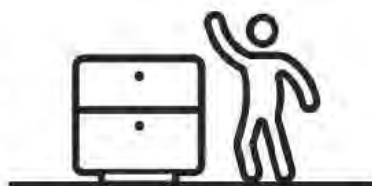
## Sufficient Space

Make sure you have enough space to move around during the assembly.



## Avoid Scratches

Use cardboard, blankets or a carpeted area while assembling furniture to prevent scratches and damages.



## Flat Surface

Make sure the furniture rests on a flat and level surface with each leg evenly touching the floor.

# ASSEMBLY AND CARE ADVICE



**FAILURE TO FOLLOW THE GUIDELINES BELOW MAY RESULT IN INJURY AND/OR PROPERTY DAMAGE.**



Position each part correctly and insert screws or bolts into their respective holes.



Turn clockwise to tighten and only tighten when step is completed or when instructed to do so.



Use the appropriate hand tools or power tools for assembly. Select steps, such as tightening screws and/or bolts, may require hand tools to avoid causing damage during assembly.



Save the instructions and store any supplied tools for later maintenance.



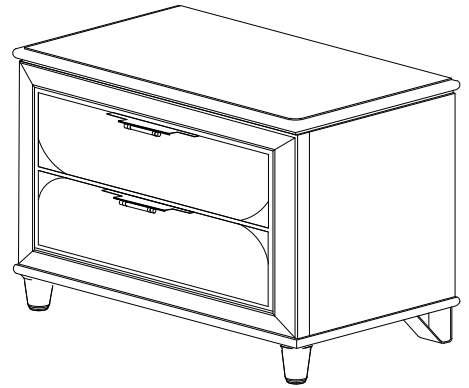
After two weeks, check and tighten any loose hardware and repeat again every six months thereafter.

**IT IS THE USER'S RESPONSIBILITY TO MAINTAIN THE FURNITURE. THE HARDWARE MAY LOOSEN OVER TIME AND MAY CAUSE THE FURNITURE TO BE WOBBLY AND UNABLE TO SUPPORT ITS INTENDED WEIGHT CAPACITY. THIS MAY LEAD TO COLLAPSE AND MAY CAUSE SERIOUS INJURY.**

# NIGHTSTAND

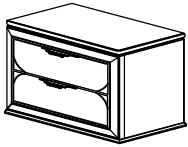


- Please keep instructions for future reference.
- Check the quantity and irregularity of parts and hardware before you start.



## PARTS

1 1pc



NightStand

2 2pcs



Acrylic Leg

3 2pcs



Metal Leg

## HARDWARE

A 1pc



Allen Key

B 4pcs



JCBC M6 x 20mm

C 4pcs



M6 Spring Washer

D 4pcs



M6 Flat Washer

E 1pc



Anti-tipping  
Restraint Kit

# ASSEMBLY INSTRUCTIONS

## 1

Part ① x 1pc

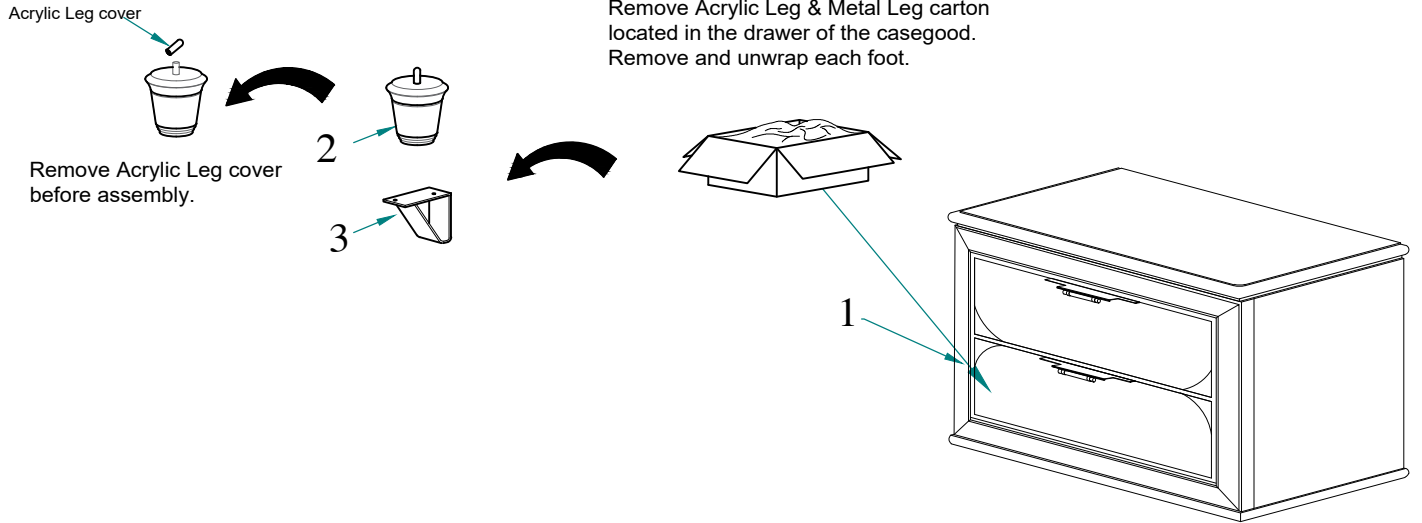
Part ② x 2pcs

Part ③ x 2pcs

Acrylic Leg cover

Remove Acrylic Leg cover before assembly.

Remove Acrylic Leg & Metal Leg carton located in the drawer of the casegood. Remove and unwrap each foot.

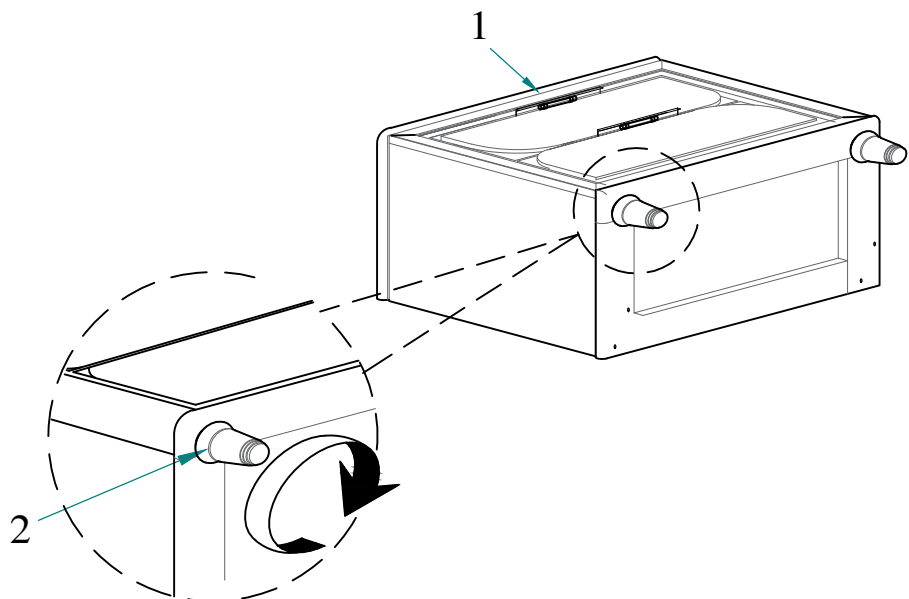


## 2

Secure the (2) Acrylic Leg to the bottom of (1) Nightstand as a diagram shown.

Part ① x 1pc

Part ② x 2pcs



# 3

Secure the (3) Metal Leg to the bottom of (1) Nightstand tighten using (B) JCBC M6 x 20mm, (C) M6 Spring Washer & (D) M6 Flat Washer as a diagram shown.

Part 1 x 1pc

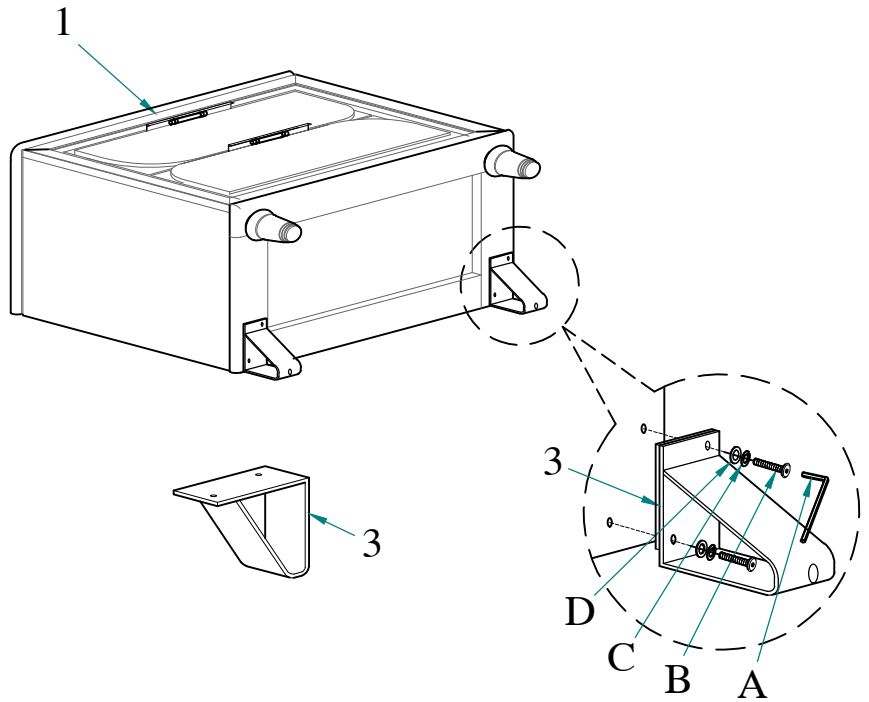
Part 3 x 2pcs

Hardware A x 1pc

Hardware B x 4pcs

Hardware C x 4pcs

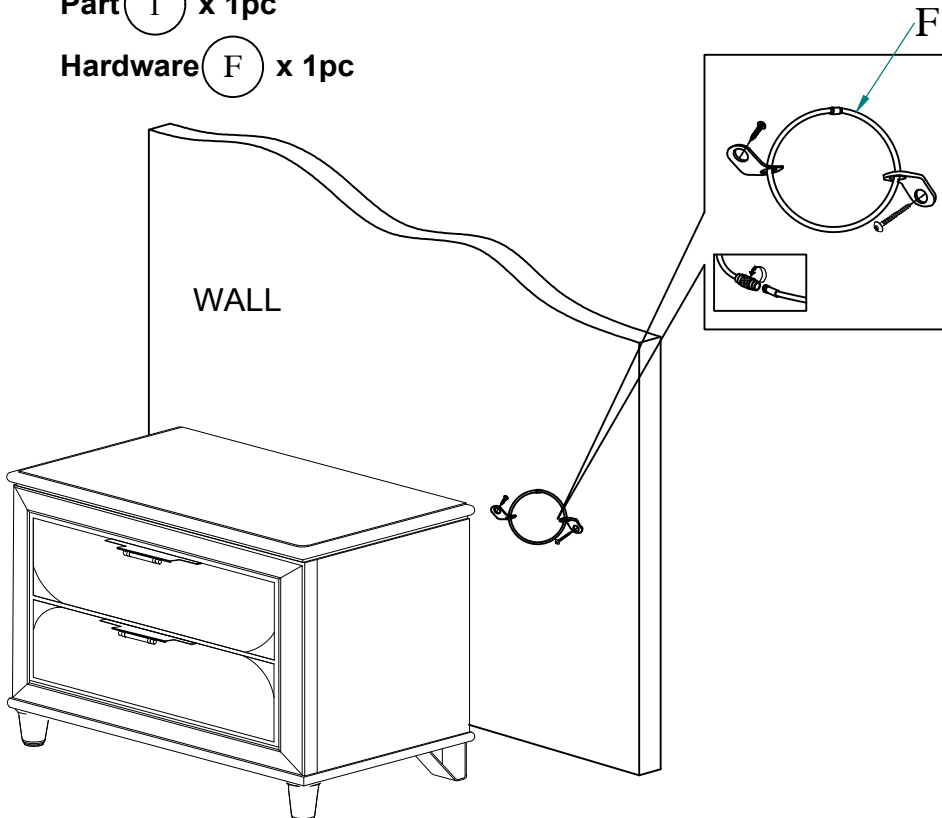
Hardware D x 4pcs



# 4

Part 1 x 1pc

Hardware F x 1pc



**ASSEMBLY COMPLETED**

Please ensure the furniture rests on an even and flat surface. If the product wobbles or feels loose, double-check all bolts and/or screws are properly tightened and secured.

- ✔ Keep this handy! Please retain this instruction manual and any order-related information for future reference.
- ✔ Lift, don't drag! To avoid damage to product please always LIFT the product when transporting or adjusting the placement.

This product is intended for RESIDENTIAL USE ONLY and not for commercial use.