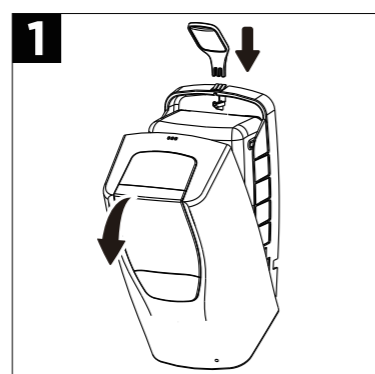
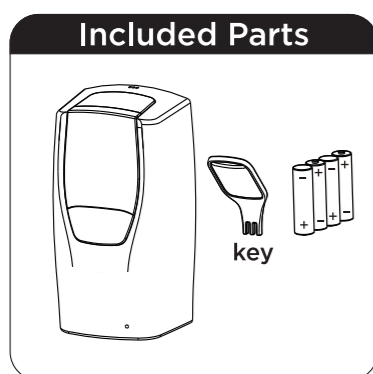
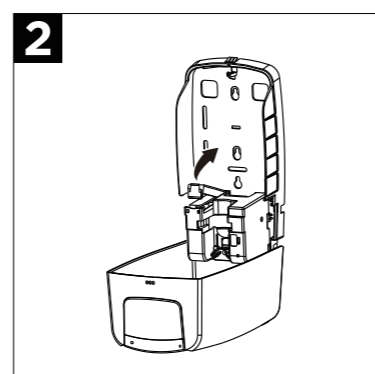




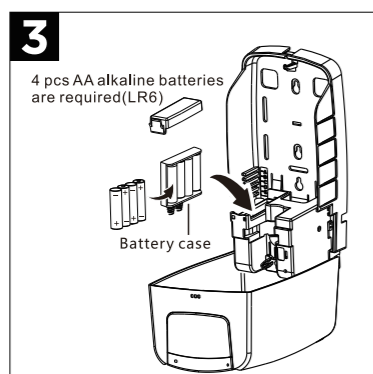
Automatic Dispenser Assembly Instructions



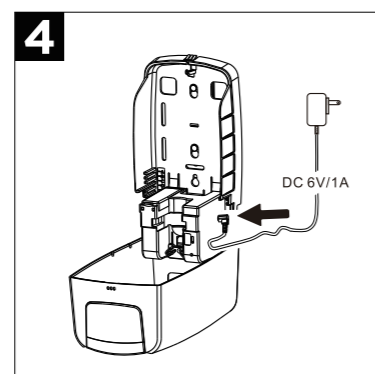
1 Insert key in top of dispenser and gently pull to open



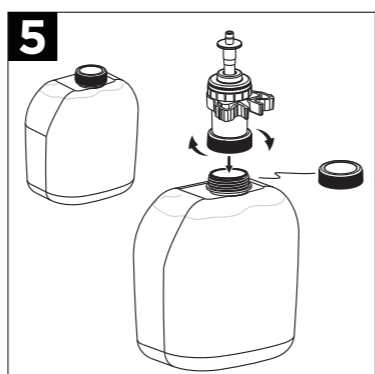
2 Open battery cover and remove battery case



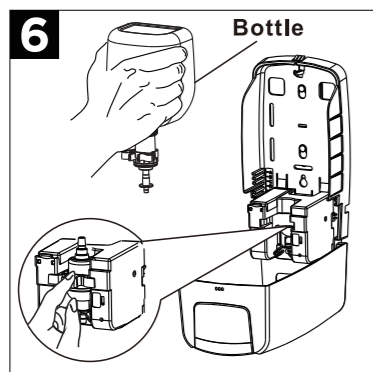
3 Insert batteries into case and load back into the dispenser



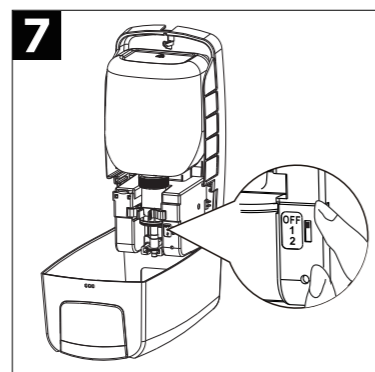
4 Alternatively, use DC power supply option (not included)



5 Remove cap from refill bottle and discard. Twist pump onto the refill bottle



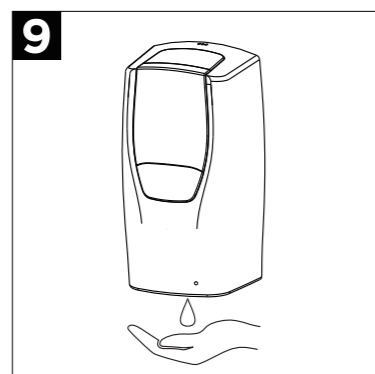
6 Insert pump and bottle into the dispenser, making sure it is firmly seated in the holder



7 Adjust the setting for either one or two pumps



8 Close front of dispenser to lock



9 Wave hand under automatic sensor to dispense

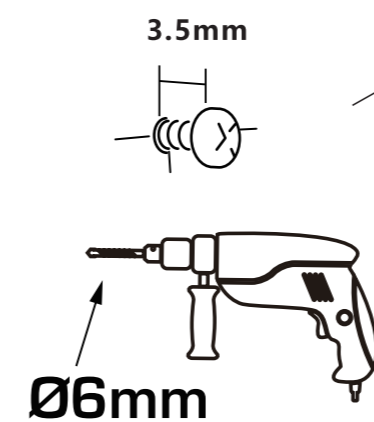
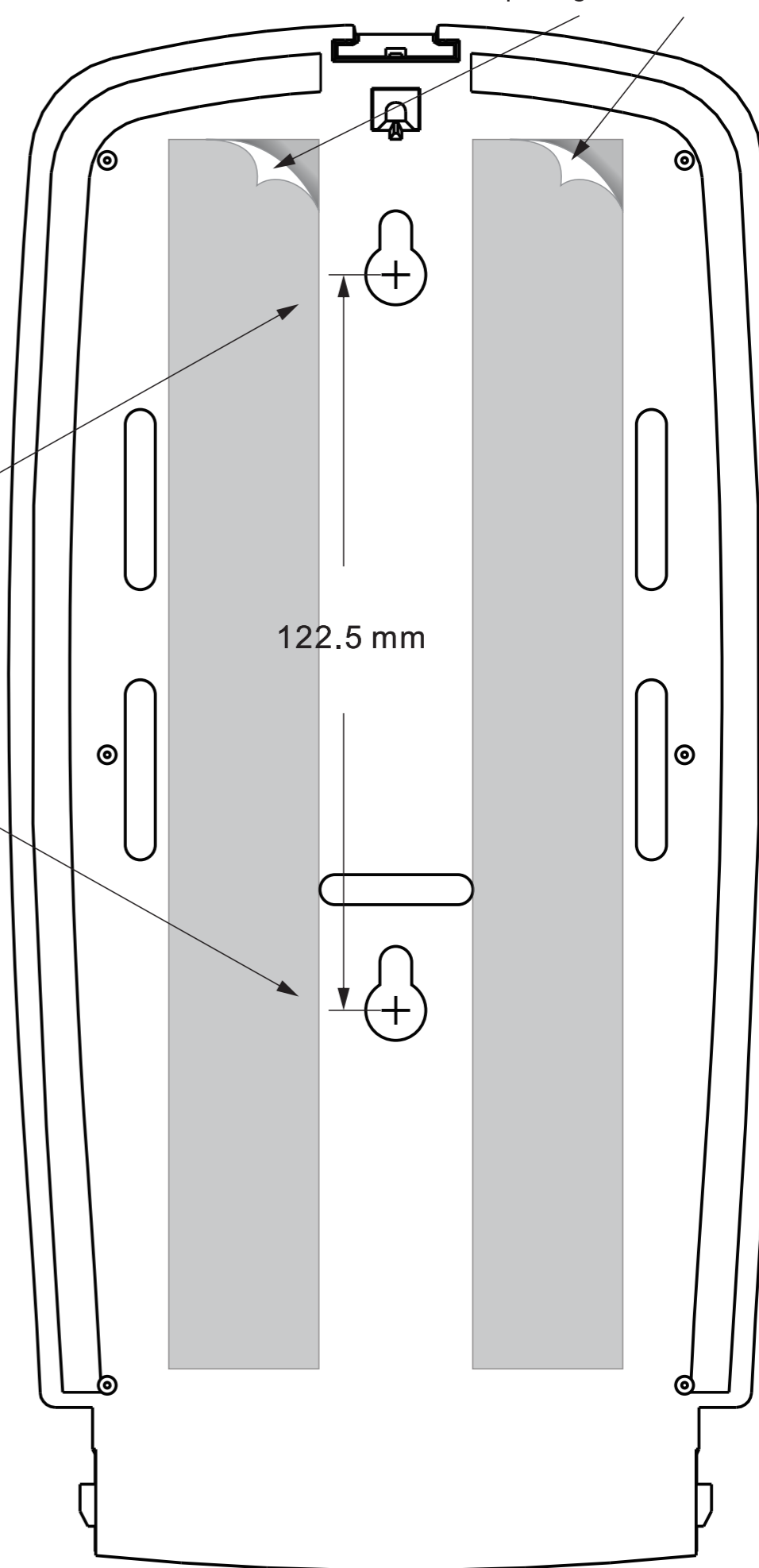
Clorox and logo are registered trademarks of The Clorox Company and are used under license by Brand Buzz LLC. All Rights Reserved.



Automatic Dispenser Wall Mount Instructions

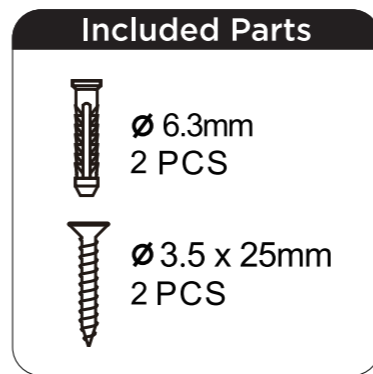
OPTION B: Mount with double sided tape.

1. Peel backing off double sided tape
2. Place dispenser in desired location and firmly press against the wall



OPTION A: Mount with screws and anchors.

1. Decide where dispenser will go and mark its hanging position on the wall lightly with pencil
2. Drill small holes in the position marked on the wall
3. Insert anchors into the hole
4. Place dispenser back on the wall and insert screws into the anchors



Clorox and logo are registered trademarks of The Clorox Company and are used under license by Brand Buzz LLC. All Rights Reserved.