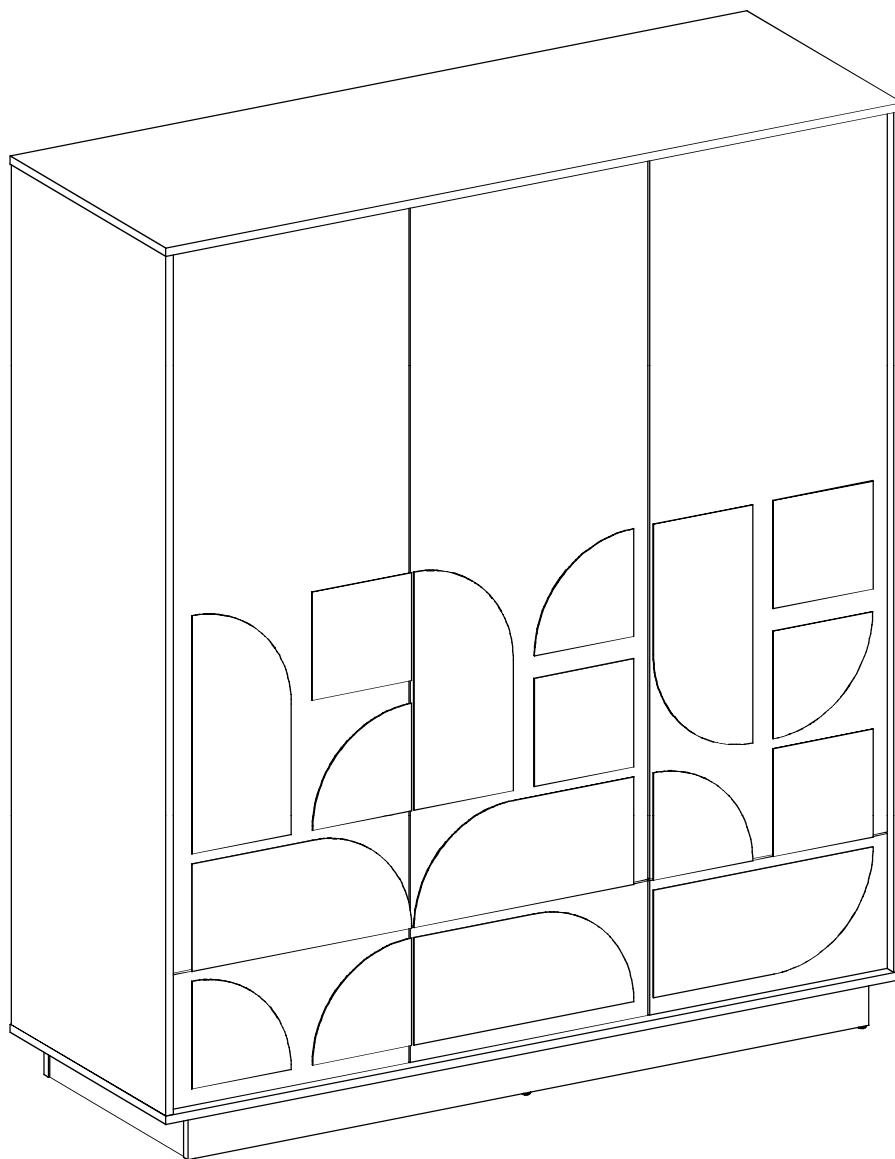


ASSEMBLY INSTRUCTIONS

MOD-7164

V0.06.06.24



Questions? Contact us!

609.256.9000 • cs@modway.com
www.modway.com

*modway

Let's get started!

*modway



Read through all of the instructions before starting



Care instructions are listed in the last step of this manual



Approx. 90 minutes assembly time



Make sure you have all parts and components before discarding any packing materials



2 people recommended for assembly

Only use hand tools to assemble this item. Do not use power tools. Do not tighten bolts or screws completely until all hardware is lined up and inserted into the holes.

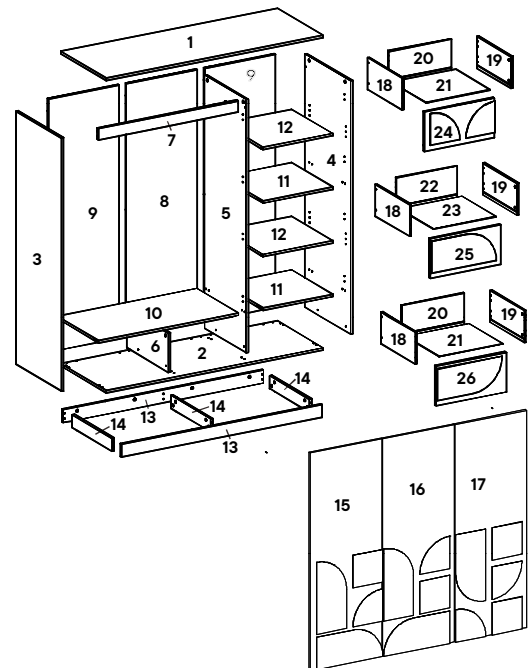
Do not over-tighten screws and bolts to avoid stripping the hardware or cracking the item.

Assemble your item on a flat, carpeted area, with plenty of space to work. This will prevent damage and scratches to your floors or the item while you're assembling the product.

Keep all components and packaging out of reach of children or animals to avoid risk of choking or suffocation.

Furniture components:

| | | | | | |
|----|----------------------|----|----|----------------------|----|
| 1 | Top Board | x1 | 14 | Bottom Small Support | x3 |
| 2 | Bottom Board | x1 | 15 | Left Door | x1 |
| 3 | Left Board | x1 | 16 | Middle Door | x1 |
| 4 | Right Board | x1 | 17 | Right Door | x1 |
| 5 | Large Divider Board | x1 | 18 | Left Drawer | x3 |
| 6 | Small Divider Board | x1 | 19 | Right Drawer | x3 |
| 7 | Top Support | x1 | 20 | Side Rear Drawer | x2 |
| 8 | Middle Rear Board | x1 | 21 | Side Bottom Drawer | x2 |
| 9 | Side Rear Board | x2 | 22 | Middle Rear Drawer | x1 |
| 10 | Left Fix Shelf | x1 | 23 | Middle Bottom Drawer | x1 |
| 11 | Right Fix Shelf | x2 | 24 | Left Front Drawer | x1 |
| 12 | Adjustable Shelf | x2 | 25 | Middle Front Drawer | x1 |
| 13 | Bottom Large Support | x2 | 26 | Right Front Drawer | x1 |



Provided hardware:

| | | | | | | | | | | | |
|---|--|--------------------------|-----|---|--|-----------------------|-----|---|--|-------------------------|-----|
| A | | Cam Lock Ø15 mm | x67 | I | | Cam Lock Ø12 mm | x12 | Q | | Half-Overlay Door Hinge | x4 |
| B | | Cam Bolt Ø7.5 x 32 mm | x75 | J | | Drawer Runner | x3 | R | | Screw M4 x 19 | x12 |
| C | | Cam Sticker Ø20 mm | x79 | K | | Backply Stopper | x12 | S | | Screw M4 x 10 | x24 |
| D | | Plastic Dowel M6 x 30 mm | x92 | L | | Pipe Support | x2 | | | | |
| E | | Screw M6 x 8 mm | x12 | M | | Pipe | x1 | | | | |
| F | | Screw M6 x 13 mm | x14 | N | | Wall Bracket Set | x2 | | | | |
| G | | Screw M10 x 33.5 mm | x20 | O | | Cam Bolt Ø7.5 x 70 mm | x2 | | | | |
| H | | Shelf Pin M7 x 16.5 mm | x8 | P | | Inset Door Hinge | x8 | | | | |

What you need:

Phillips Head Screwdriver

Wait!

Missing parts or hardware? Need assistance?
Contact us before returning your item. We're here to help!
609.256.9000 • cs@modway.com

Components Carton Placement

Carton 1 of 3

| Label | Description | Qty |
|-------|----------------------|-----|
| 5 | Large Divider Board | x1 |
| 15 | Left Door | x1 |
| 16 | Middle Door | x1 |
| 17 | Right Door | x1 |
| 20 | Side Rear Drawer | x2 |
| 21 | Side Bottom Drawer | x2 |
| 22 | Middle Rear Drawer | x1 |
| 23 | Middle Bottom Drawer | x1 |
| | Hardware Pack | x1 |

Carton 2 of 3

| Label | Description | Qty |
|-------|----------------------|-----|
| 1 | Top Board | x1 |
| 2 | Bottom Board | x1 |
| 6 | Small Divider Board | x1 |
| 7 | Top Support | x1 |
| 10 | Left Fix Shelf | x1 |
| 11 | Right Fix Shelf | x2 |
| 12 | Adjustable Shelf | x2 |
| 13 | Bottom large Support | x2 |
| 14 | Bottom Small Support | x3 |
| 18 | Left Drawer | x3 |
| 19 | Right Drawer | x3 |
| 24 | Left Front Drawer | x1 |
| 25 | Middle Front Drawer | x1 |
| 26 | Right Front Drawer | x1 |

Carton 3 of 3

| Label | Description | Qty |
|-------|-------------------|-----|
| 3 | Left Board | x1 |
| 4 | Right Board | x1 |
| 8 | Middle Rear Board | x1 |
| 9 | Side Rear Board | x2 |



Missing parts or hardware? Need assistance?

Contact us before returning your item. We're here to help!

609.256.9000 • cs@modway.com

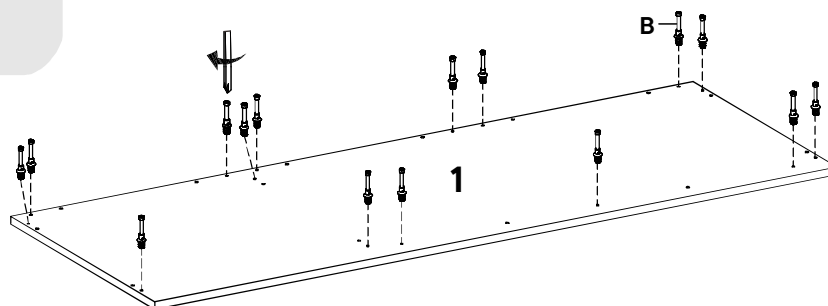
Step 1

HARDWARE

B Cam Bolt $\varnothing 7.5 \times 32$ mm x15

COMPONENTS

1 Top Board x1



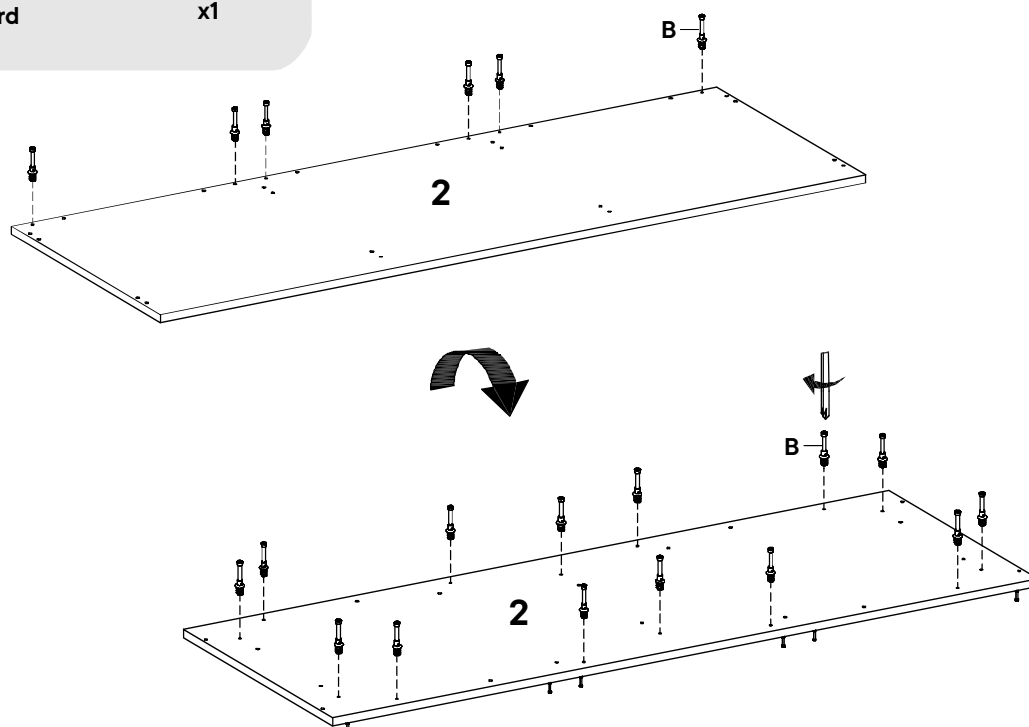
Step 2

HARDWARE

B Cam Bolt $\varnothing 7.5 \times 32$ mm x20

COMPONENTS

2 Bottom Board x1



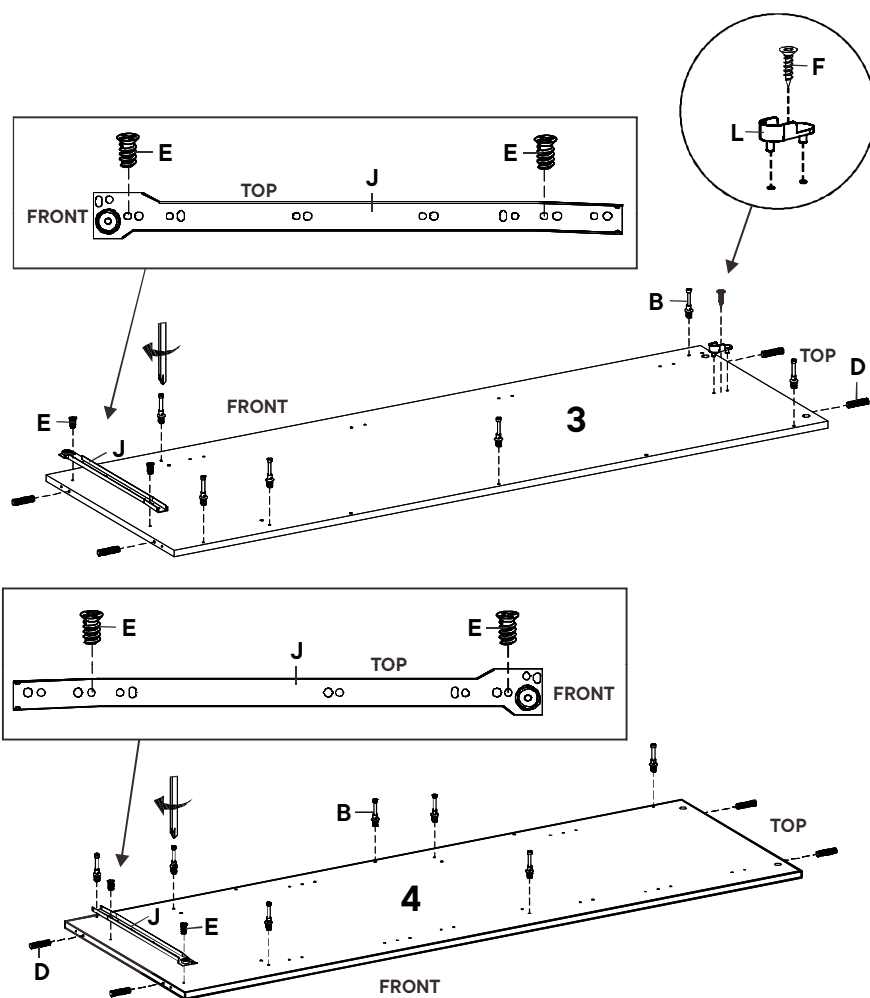
Step 3

HARDWARE

- B** Cam Bolt Ø7.5 x 32 mm x13
- D** Plastic Dowel M6 x 30 mm x8
- E** Screw M6 x 8 mm x4
- F** Screw M6 x 13 mm x1
- J** Drawer Runner x1
- L** Pipe Support x1

COMPONENTS

- 3** Left Board x1
- 4** Right Board x1



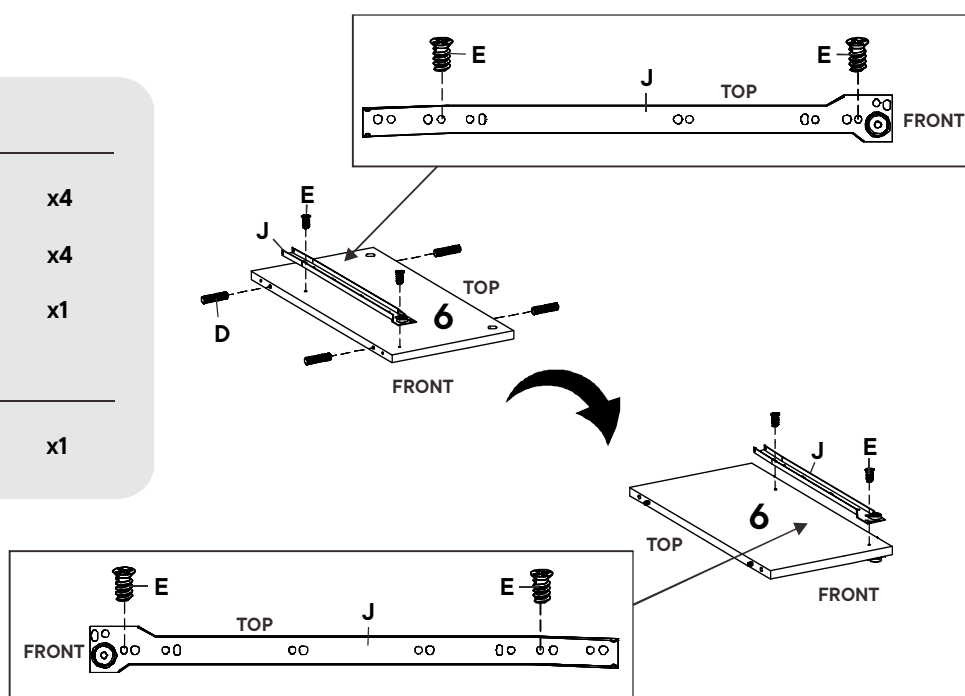
Step 4

HARDWARE

- D** Plastic Dowel M6 x 30 mm x4
- E** Screw M6 x 8 mm x4
- J** Drawer Runner x1

COMPONENTS

- 6** Small Divider Board x1



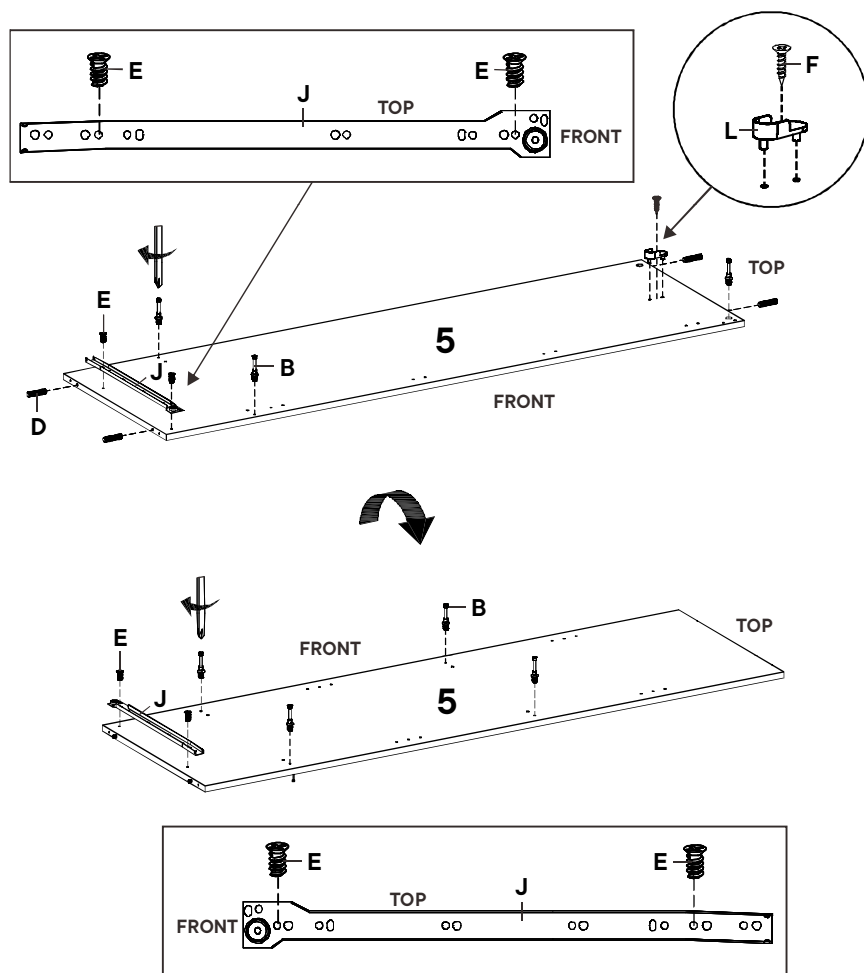
Step 5

HARDWARE

- B** Cam Bolt Ø7.5 x 32 mm x7
- D** Plastic Dowel M6 x 30 mm x4
- E** Screw M6 x 8 mm x4
- F** Screw M6 x 13 mm x1
- J** Drawer Runner x2
- L** Pipe Support x1

COMPONENTS

- 5** Large Divider Board x1



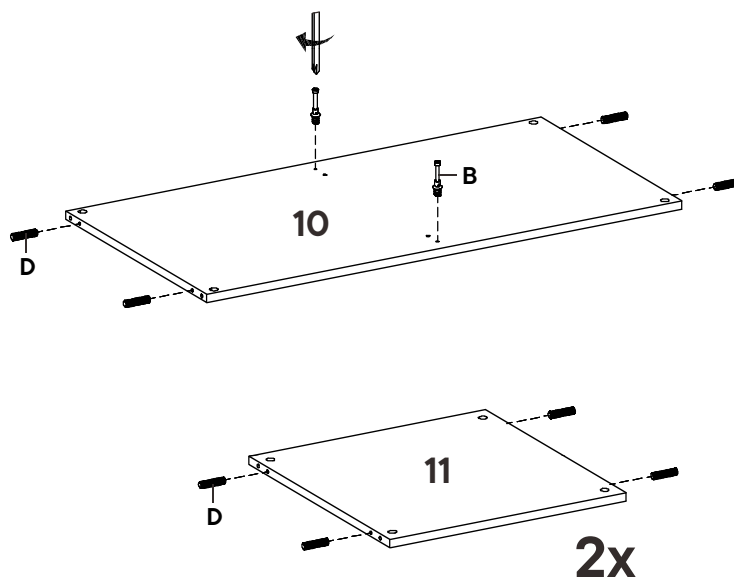
Step 6

HARDWARE

- B** Cam Bolt Ø7.5 x 32 mm x2
- D** Plastic Dowel M6 x 30 mm x12

COMPONENTS

- 10** Left Fix Shelf x1
- 11** Right Fix Shelf x2



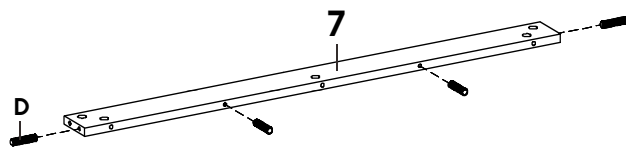
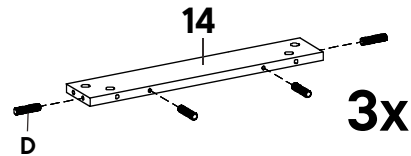
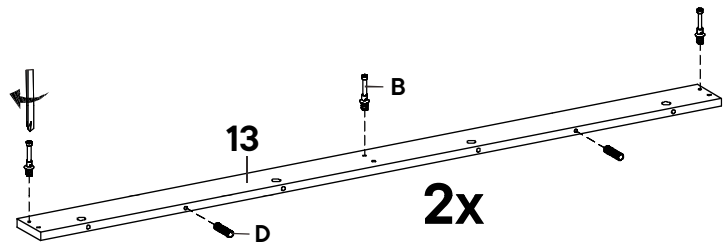
Step 7

HARDWARE

- B** Cam Bolt $\varnothing 7.5 \times 32$ mm x6
- D** Plastic Dowel M6 x 30 mm x20

COMPONENTS

- 7** Top Support x1
- 13** Bottom Large Support x2
- 14** Bottom Small Support x3



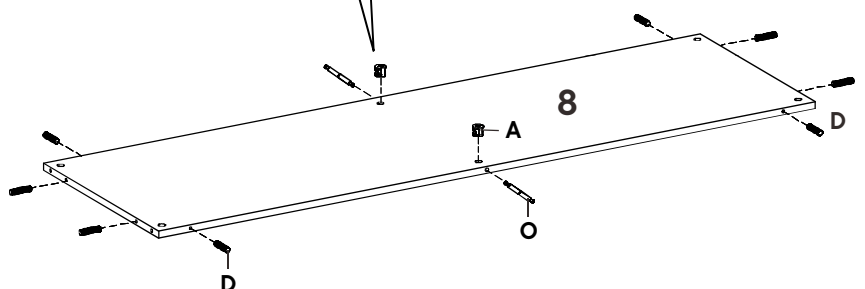
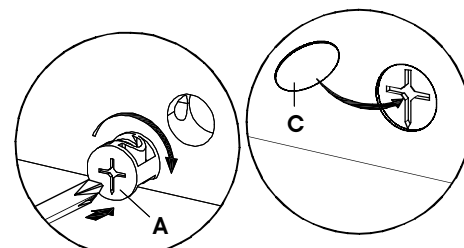
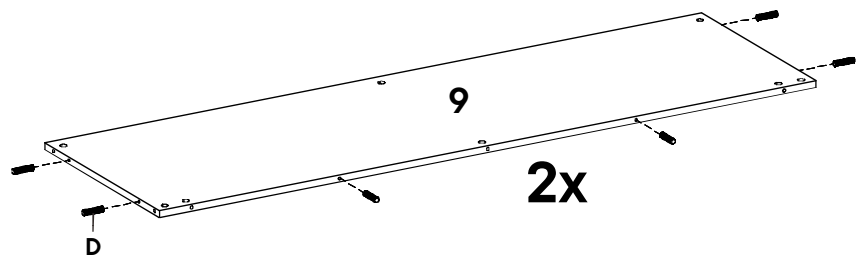
Step 8

HARDWARE

- A** Cam Lock $\varnothing 15$ mm x2
- C** Cam Sticker $\varnothing 20$ mm x2
- D** Plastic Dowel M6 x 30 mm x20
- O** Double Bolt $\varnothing 7.5 \times 70$ mm x2

COMPONENTS

- 8** Middle Rear Board x1
- 9** Side Rear Board x2



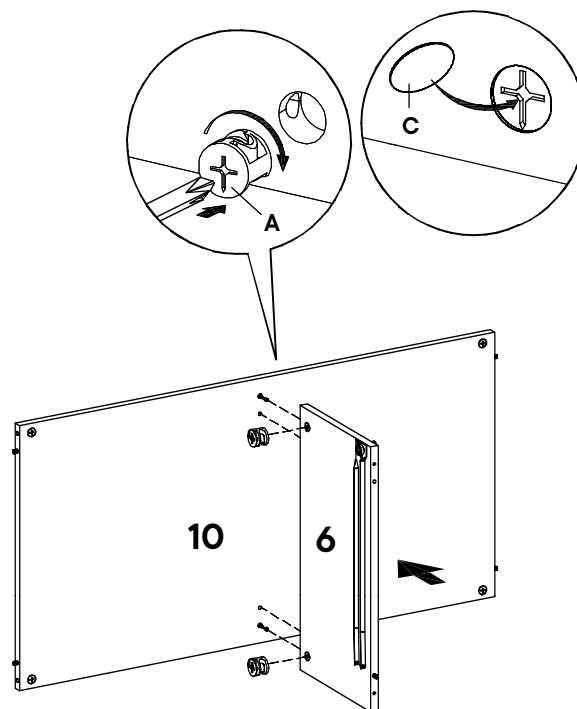
Step 9

HARDWARE

- A** Cam Lock Ø15 mm x2
- C** Cam Sticker Ø20 mm x2

COMPONENTS

- 6** Small Divider Board x1
- 10** Left Fix Shelf x1



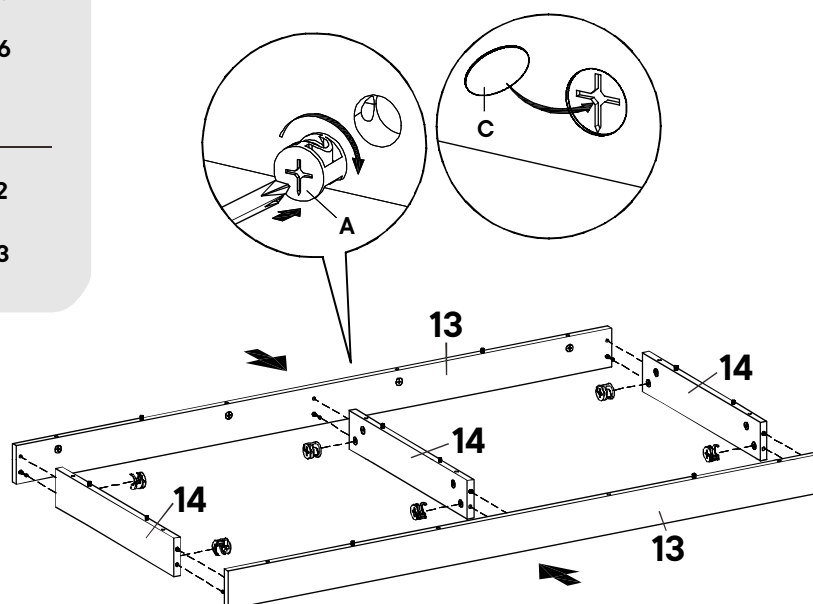
Step 10

HARDWARE

- A** Cam Lock Ø15 mm x6
- C** Cam Sticker Ø20 mm x6

COMPONENTS

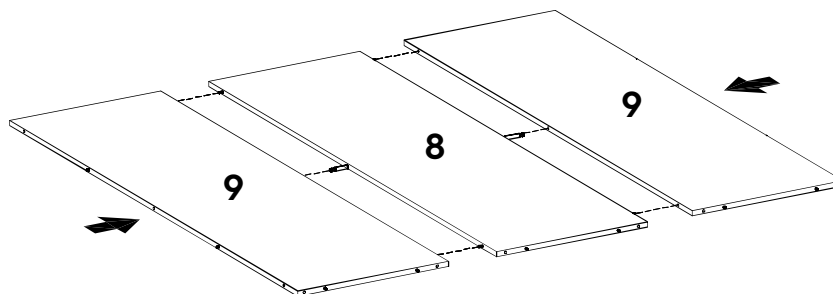
- 13** Bottom Large Support x2
- 14** Bottom Small Support x3



Step 11

COMPONENTS

- 8 Middle Rear Board x1
- 9 Side Rear Board x2



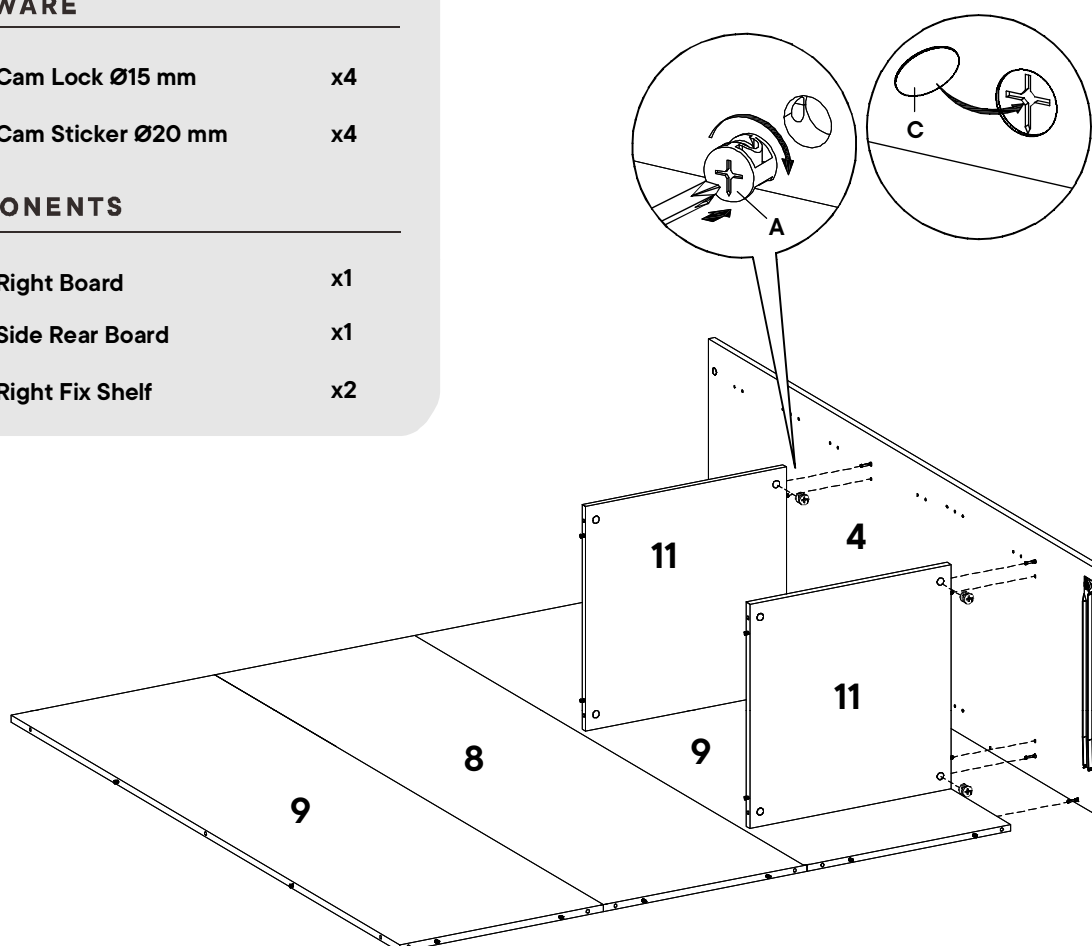
Step 12

HARDWARE

- A Cam Lock Ø15 mm x4
- C Cam Sticker Ø20 mm x4

COMPONENTS

- 4 Right Board x1
- 9 Side Rear Board x1
- 11 Right Fix Shelf x2



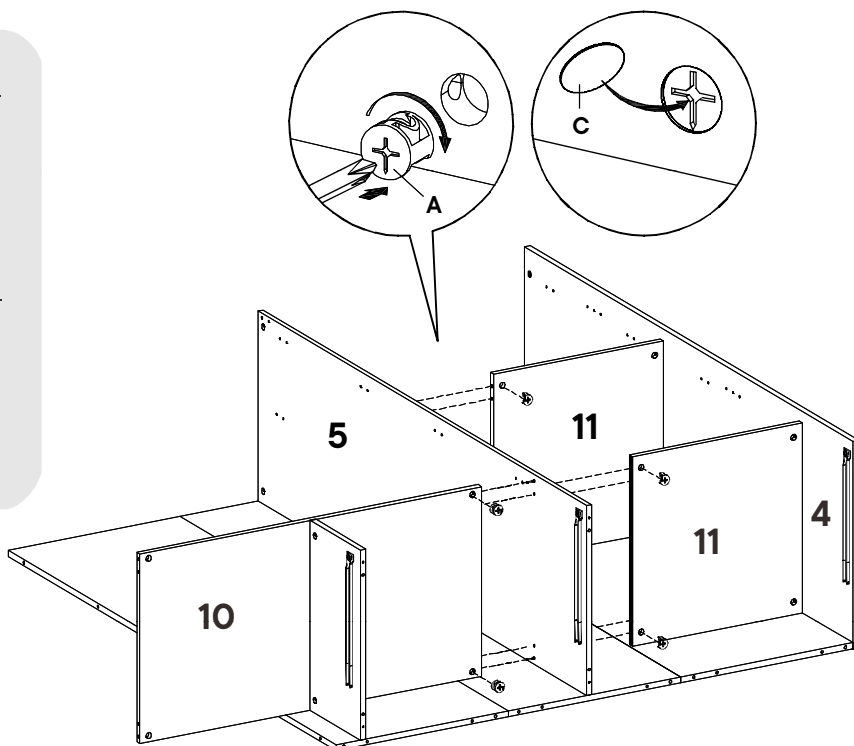
Step 13

HARDWARE

- A** Cam Lock Ø15 mm x6
- C** Cam Sticker Ø20 mm x6

COMPONENTS

- 5** Large Divider Board x1
- 10** Left Fix Shelf x1
- 11** Right Fix Shelf x2



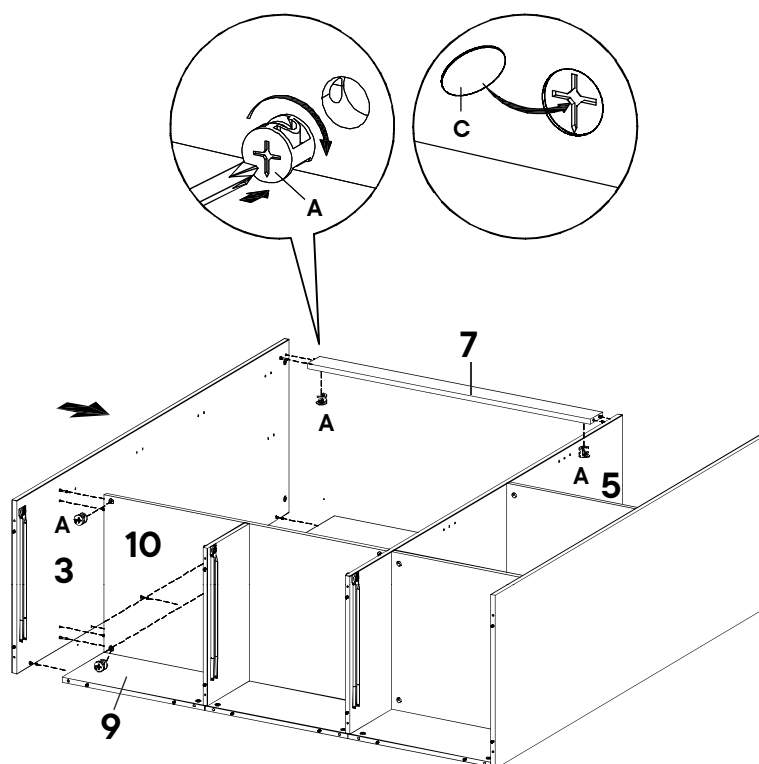
Step 14

HARDWARE

- A** Cam Lock Ø15 mm x4
- C** Cam Sticker Ø20 mm x4

COMPONENTS

- 3** Left Board x1
- 5** Large Divider Board x1
- 7** Top Support x1
- 9** Side Rear Board x1
- 10** Left Fix Shelf x1



Step 15

HARDWARE

G Screw M10 x 33.5 mm x8

COMPONENTS

2 Bottom Board x1

3 Left Board x1

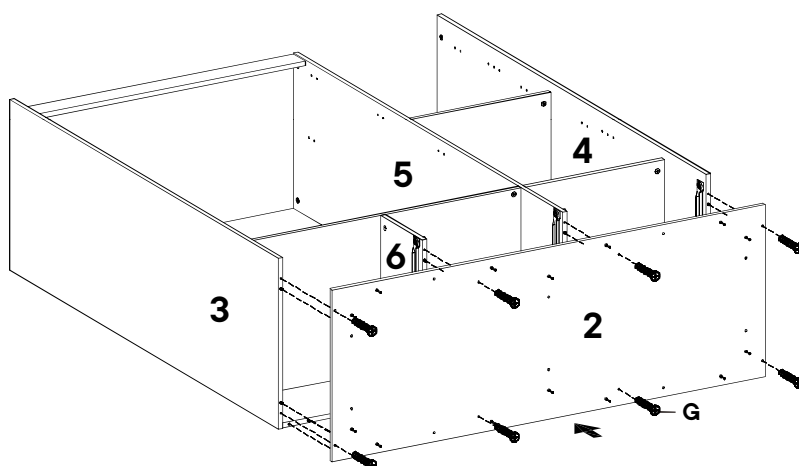
4 Right Board x1

5 Large Divider Board x1

6 Small Divider Board x1

8 Middle Rear Board x2

9 Side Rear Board x1



Step 16

HARDWARE

A Cam Lock Ø15 mm x14

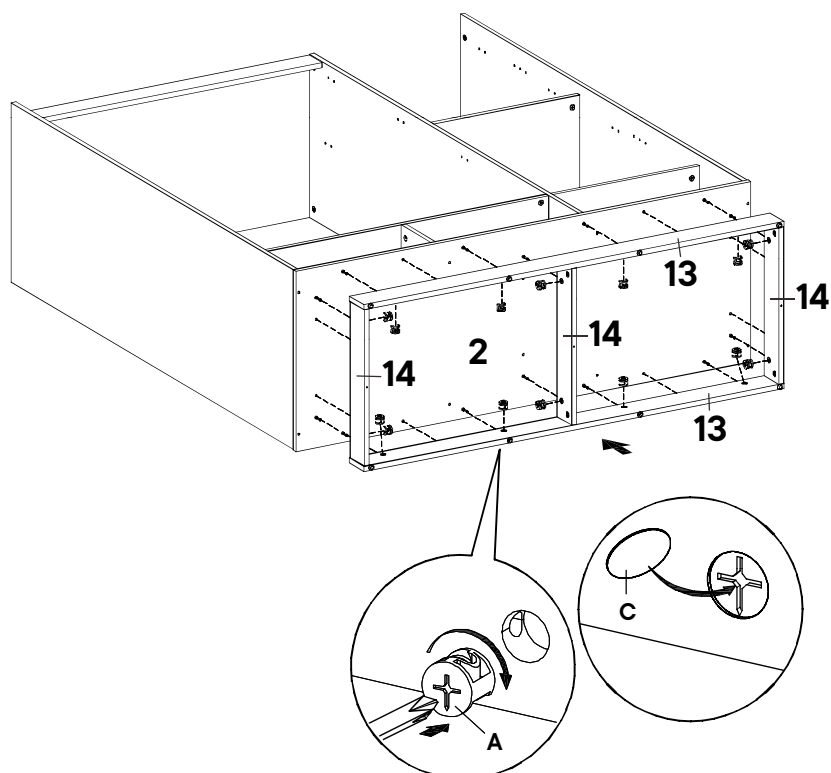
C Cam Sticker Ø20 mm x14

COMPONENTS

2 Bottom Board x1

13 Bottom Large Support x2

14 Bottom Small Support x3



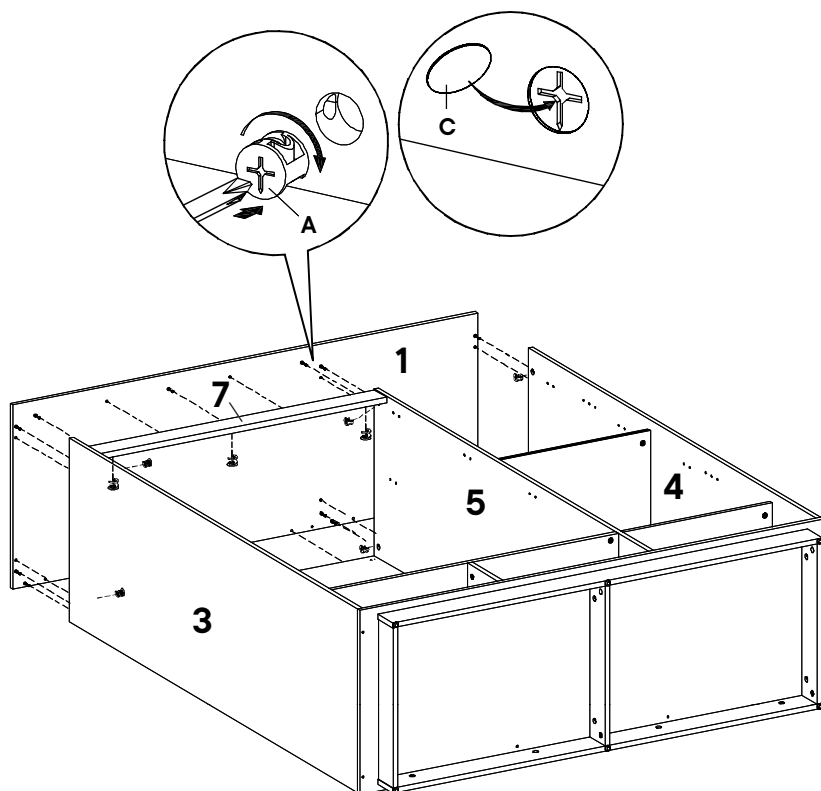
Step 17

HARDWARE

- A** Cam Lock Ø15 mm x9
- C** Cam Sticker Ø20 mm x9

COMPONENTS

- 1** Top Board x1
- 3** Left Board x1
- 4** Right Board x1
- 5** Large Divider Board x1
- 7** Top Support x1
- 8** Middle Rear Board x1
- 9** Side Rear Board x2



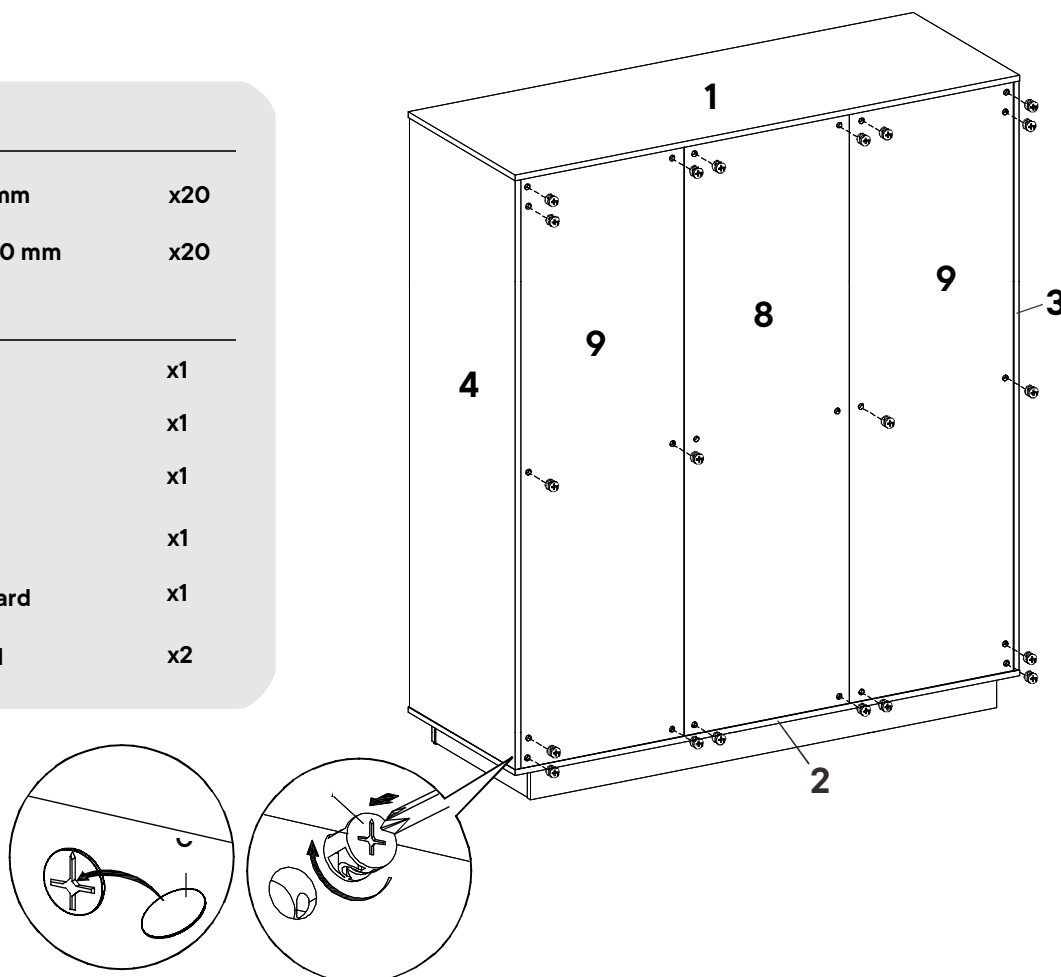
Step 18

HARDWARE

- A** Cam Lock Ø15 mm x20
- C** Cam Sticker Ø20 mm x20

COMPONENTS

- 1** Top Board x1
- 2** Bottom Board x1
- 3** Left Board x1
- 4** Right Board x1
- 8** Middle Rear Board x1
- 9** Side Rear Board x2



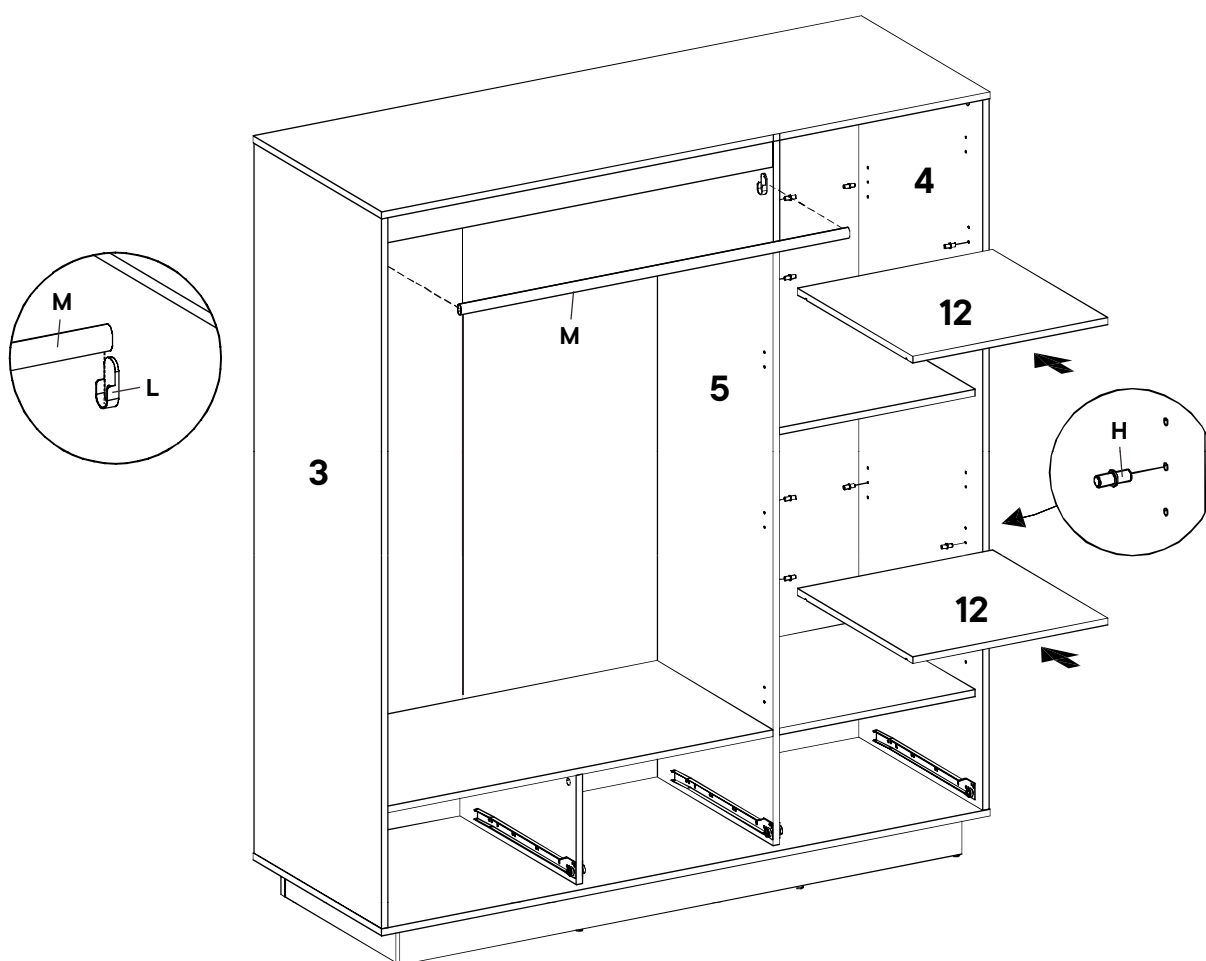
Step 19

HARDWARE

| | | |
|----------|------------------------|----|
| H | Shelf Pin M7 x 16.5 mm | x8 |
| M | Pipe | x1 |

COMPONENTS

| | | |
|-----------|---------------------|----|
| 3 | Left Boad | x1 |
| 4 | Divider Left Boad | x1 |
| 5 | Large Divider Board | x1 |
| 12 | Adjustable Shelf | x2 |



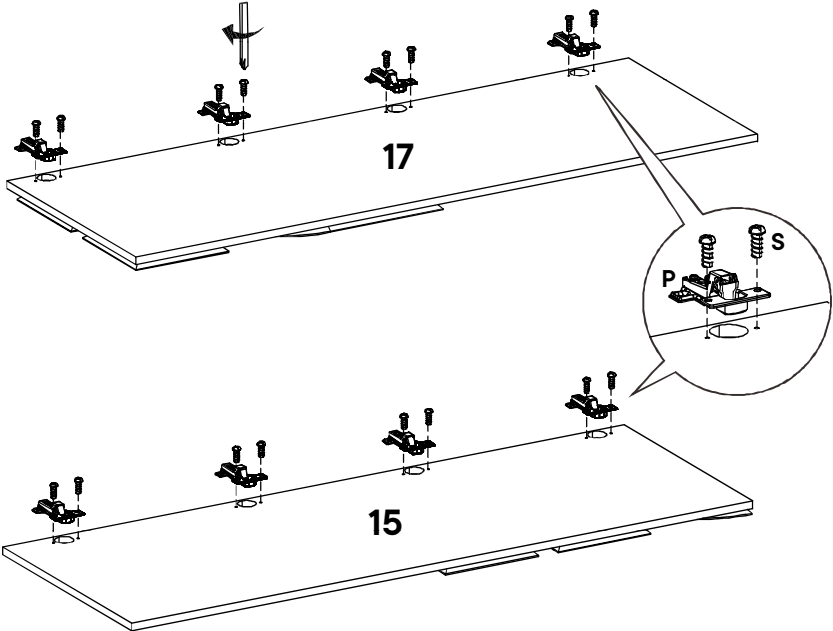
Step 20

HARDWARE

- P** Inset Door Hinge x8
- S** Screw M4 x 10 x16

COMPONENTS

- 15** Left Door x1
- 17** Right Door x1



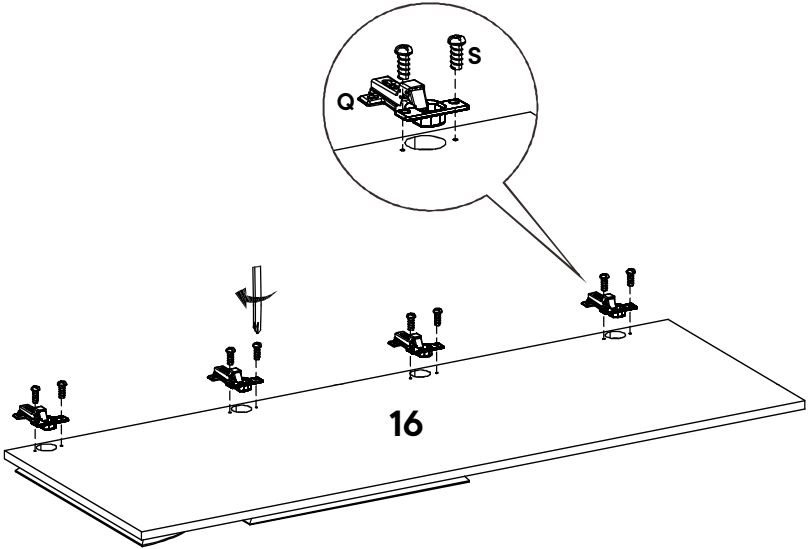
Step 21

HARDWARE

- Q** Half-Overlay Door Hinge x4
- S** Screw M4 x 10 x8

COMPONENTS

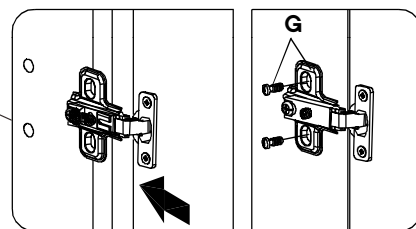
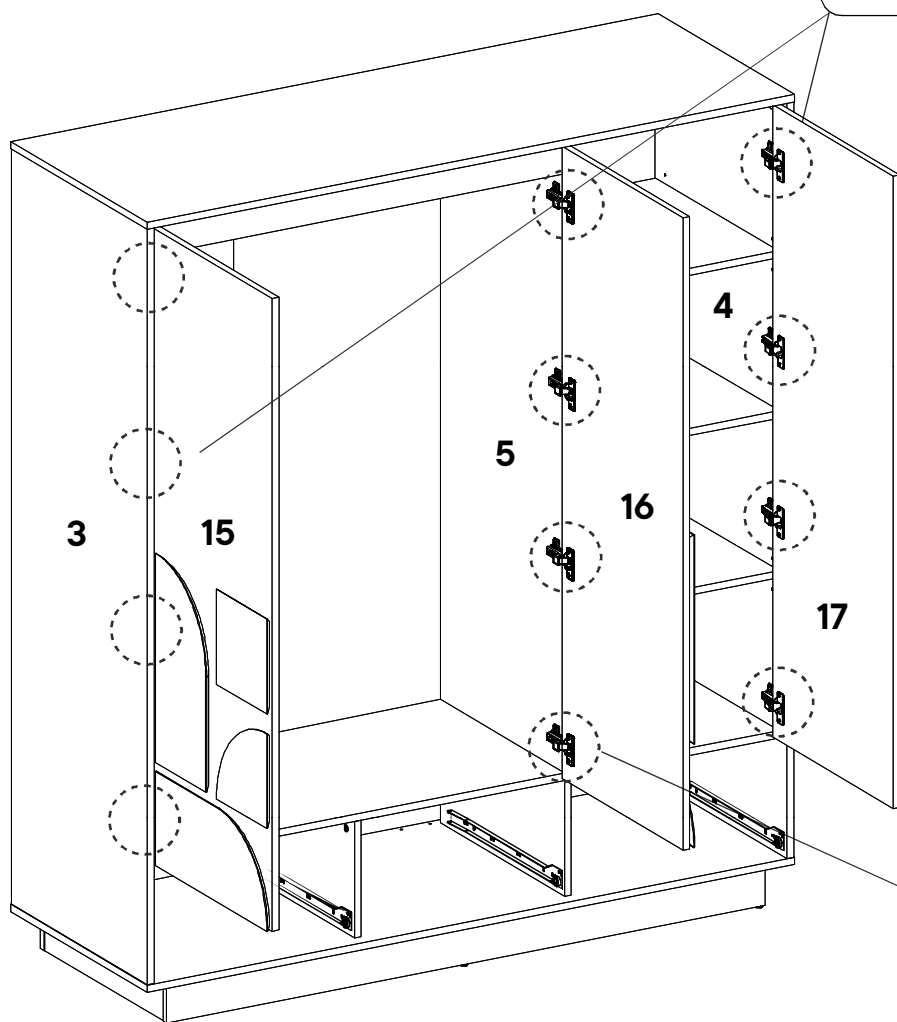
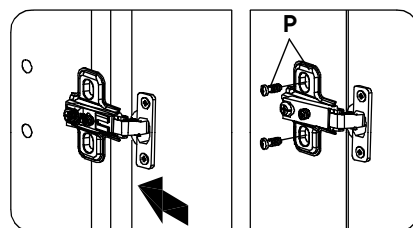
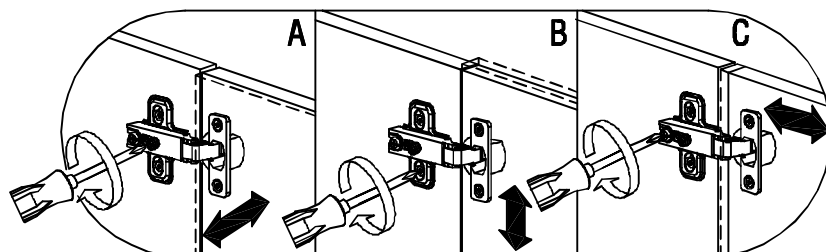
- 16** Middle Door x1



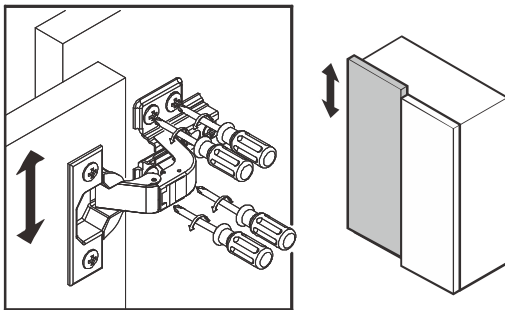
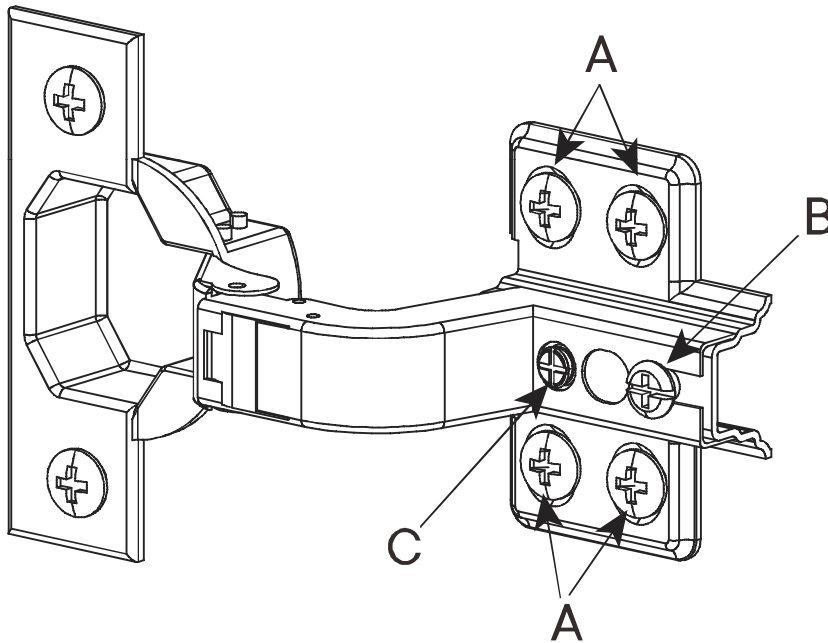
Step 22

COMPONENTS

- | | | |
|----|---------------------|----|
| 3 | Left Board | x1 |
| 4 | Right Board | x2 |
| 5 | Large Divider Board | x3 |
| 15 | Left Door | x3 |
| 16 | Middle Door | x3 |
| 17 | Right Door | x3 |

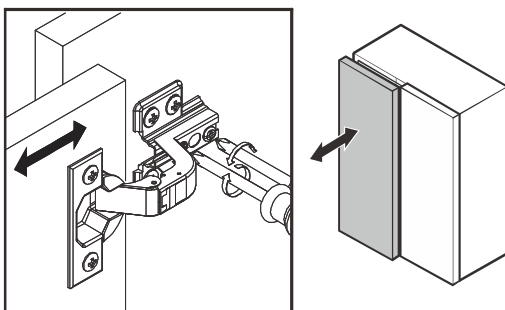


Cabinet Door Alignment



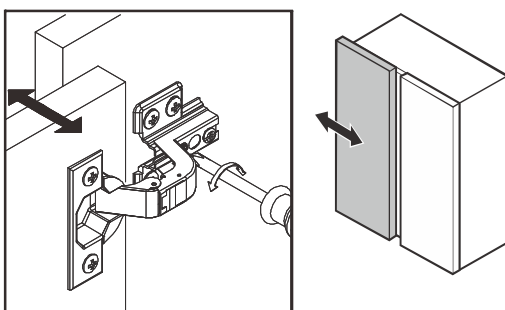
To adjust the vertical height.

Loosen the four screws "A" on both hinges. Two of them are usually in slotted holes which allows you to adjust up or down by few mm. Then tighten back up.



To adjust depth.

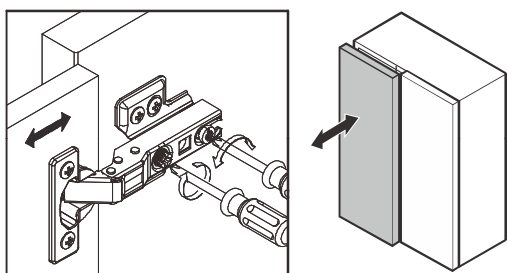
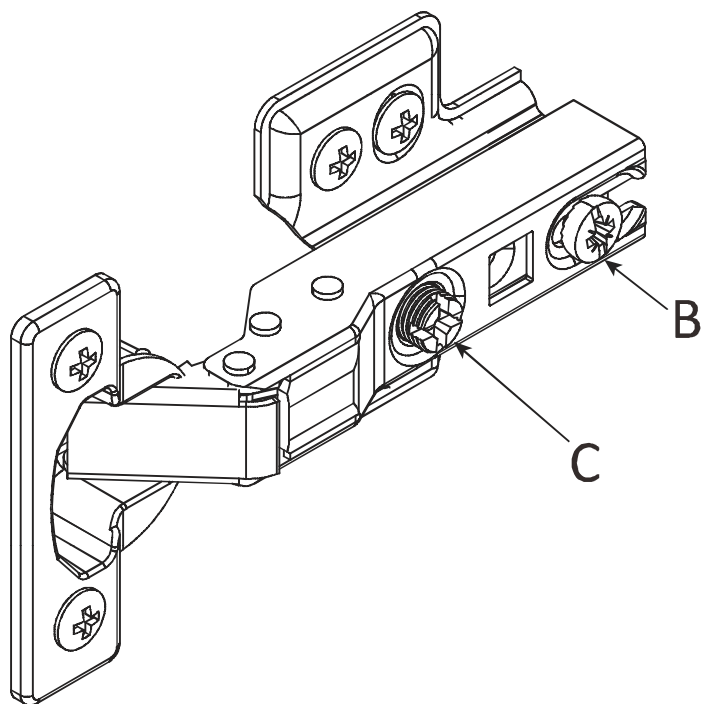
Loosen screw "B" and adjust door, if the door can not be adjusted, please loosen screw "C", then try again. Tighten screw "B" and "C".



To adjust side ways.

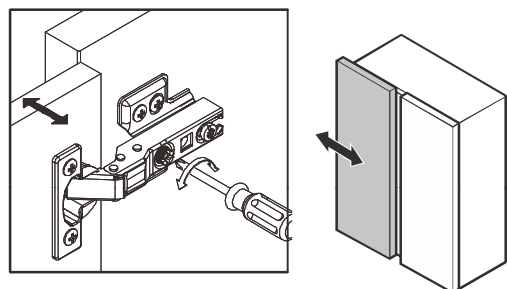
Turn screw "C" on BOTH hinges on each door.

Cabinet Door Alignment



To adjust depth.

Loosen screw "B" and adjust door, if the door can not be adjusted, please loosen screw "C", then try again. Tighten screw "B" and "C".



To adjust side ways.

Turn screw "C" on BOTH hinges on each door.

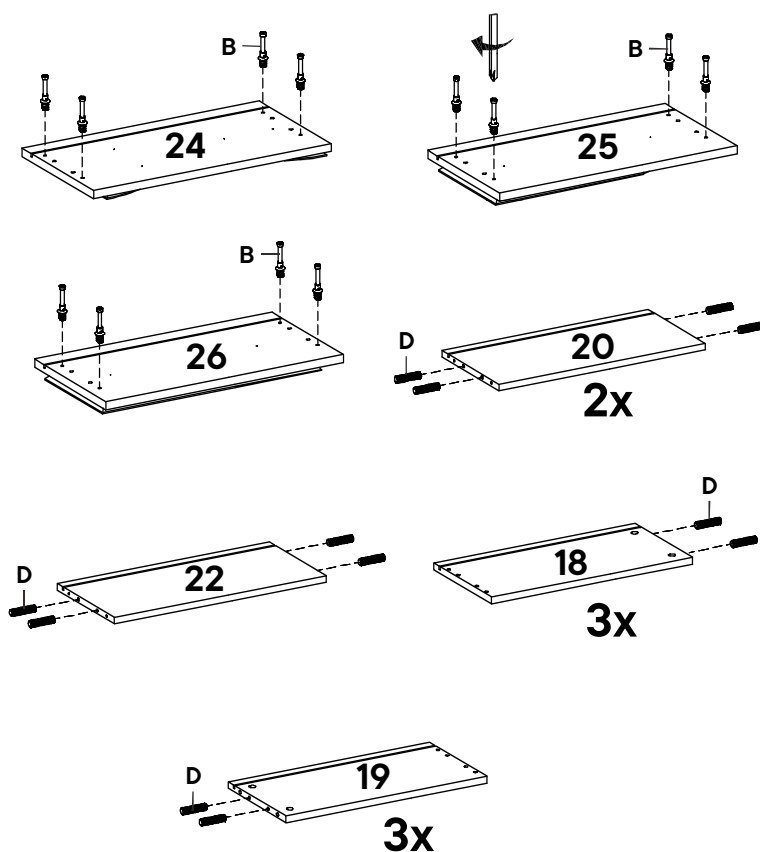
Step 23

HARDWARE

- B** Cam Bolt Ø7.5 x 32 mm x12
- D** Plastic Dowel M6 x 30 mm x24

COMPONENTS

- 18** Left Drawer x3
- 19** Right Drawer x3
- 20** Side Rear Drawer x2
- 22** Middle Rear Drawer x1
- 24** Left Front Drawer x1
- 25** Middle Front Drawer x1
- 26** Right Front Drawer x1



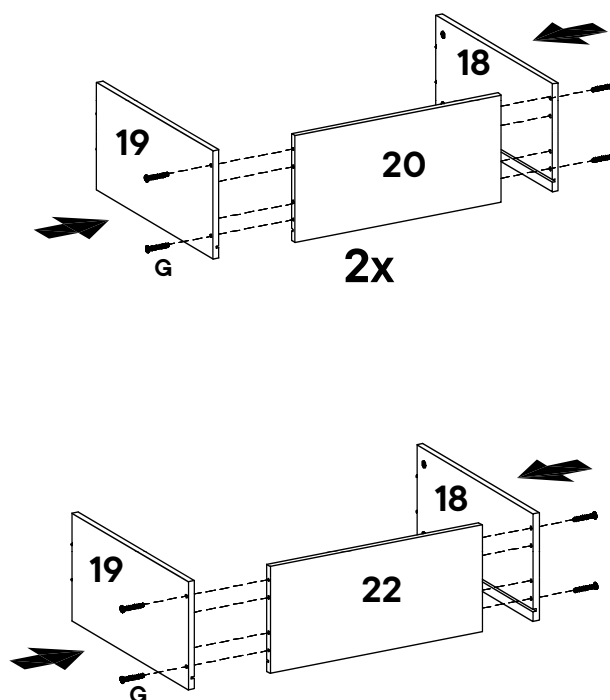
Step 24

HARDWARE

- G** Screw M10 x 33.5 mm x12

COMPONENTS

- 18** Left Drawer x3
- 19** Right Drawer x3
- 20** Side Rear Drawer x2
- 22** Middle Rear Drawer x1
- 24** Left Front Drawer x1
- 25** Middle Front Drawer x1
- 26** Right Front Drawer x1



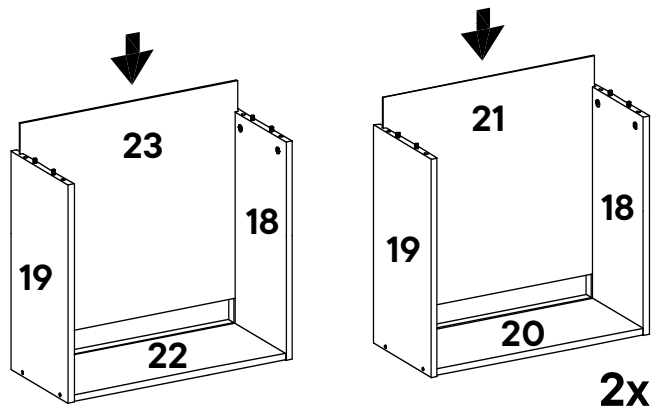
Step 25

HARDWARE

- B** Cam Bolt $\varnothing 7.5 \times 32$ mm x12
- D** Plastic Dowel M6 x 30 mm x24

COMPONENTS

- 18** Left Drawer x3
- 19** Right Drawer x3
- 20** Side Rear Drawer x2
- 21** Side Bottom Drawer x1
- 22** Middle Rear Drawer x1
- 23** Middle Bottom Drawer x1



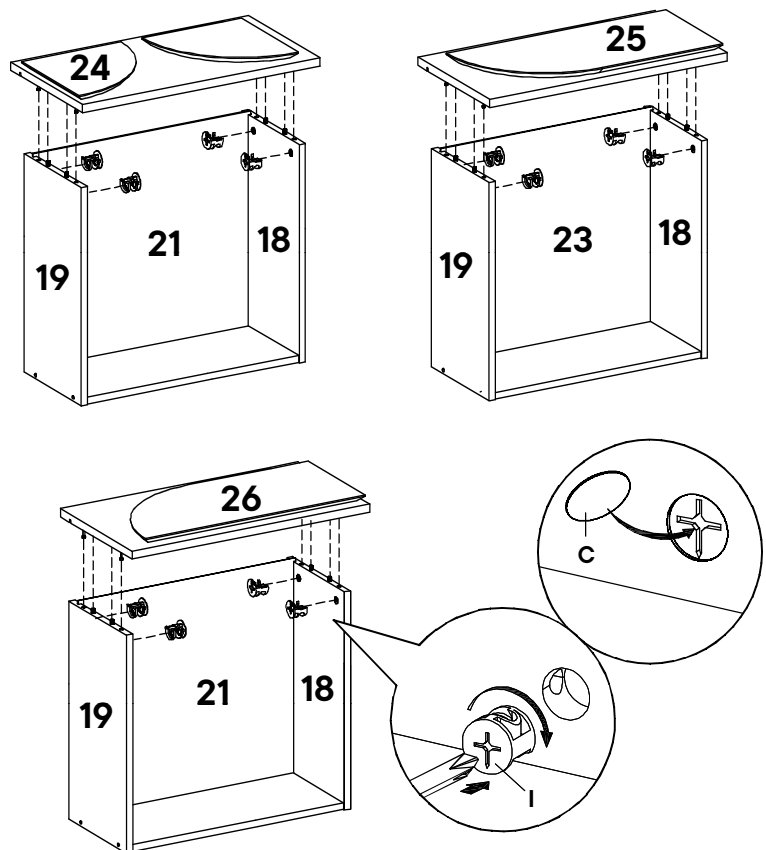
Step 26

HARDWARE

- C** Cam Sticker $\varnothing 20$ mm x12
- I** Cam Lock $\varnothing 12$ mm x12

COMPONENTS

- 18** Left Drawer x3
- 19** Right Drawer x3
- 21** Side Bottom Drawer x2
- 23** Middle Bottom Drawer x1
- 24** Left Front Drawer x1
- 25** Middle Front Drawer x1
- 26** Right Front Drawer x1



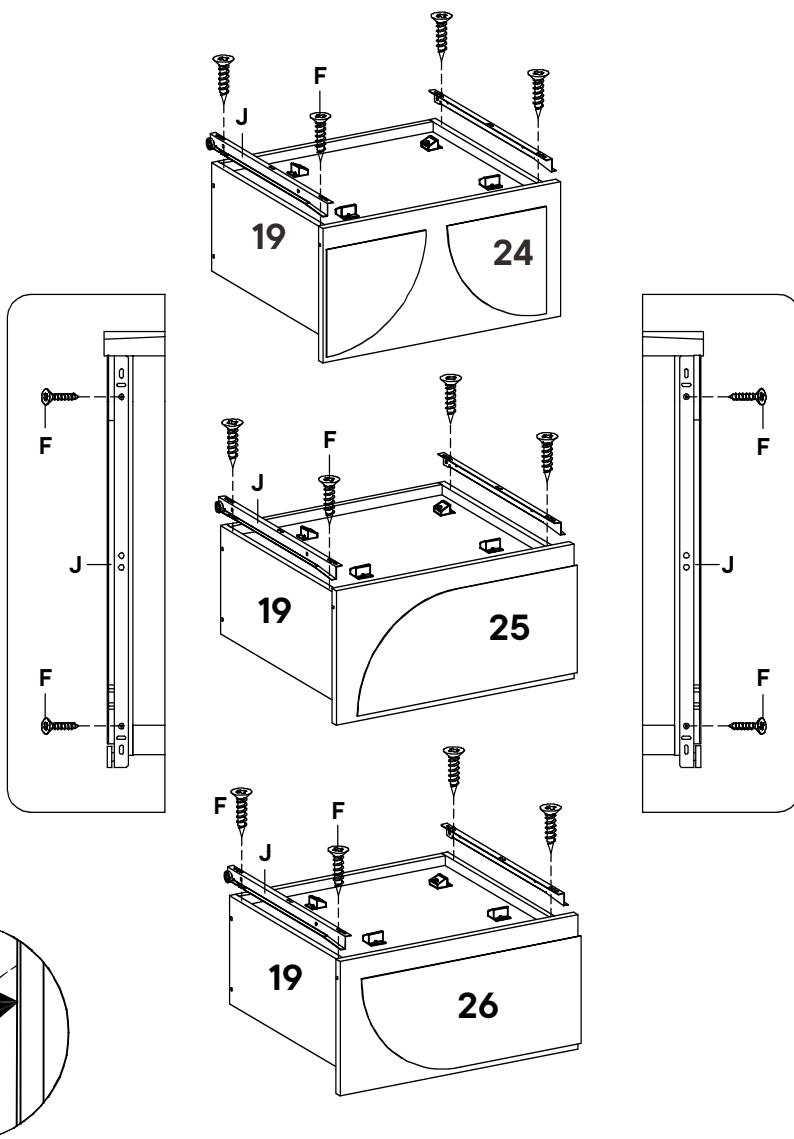
Step 27

HARDWARE

- F** Screw M6 x 13 mm x12
- J** Drawer Rail x3
- K** Backplay Stopper x12
- R** Screw M4 x 19 x12

COMPONENTS

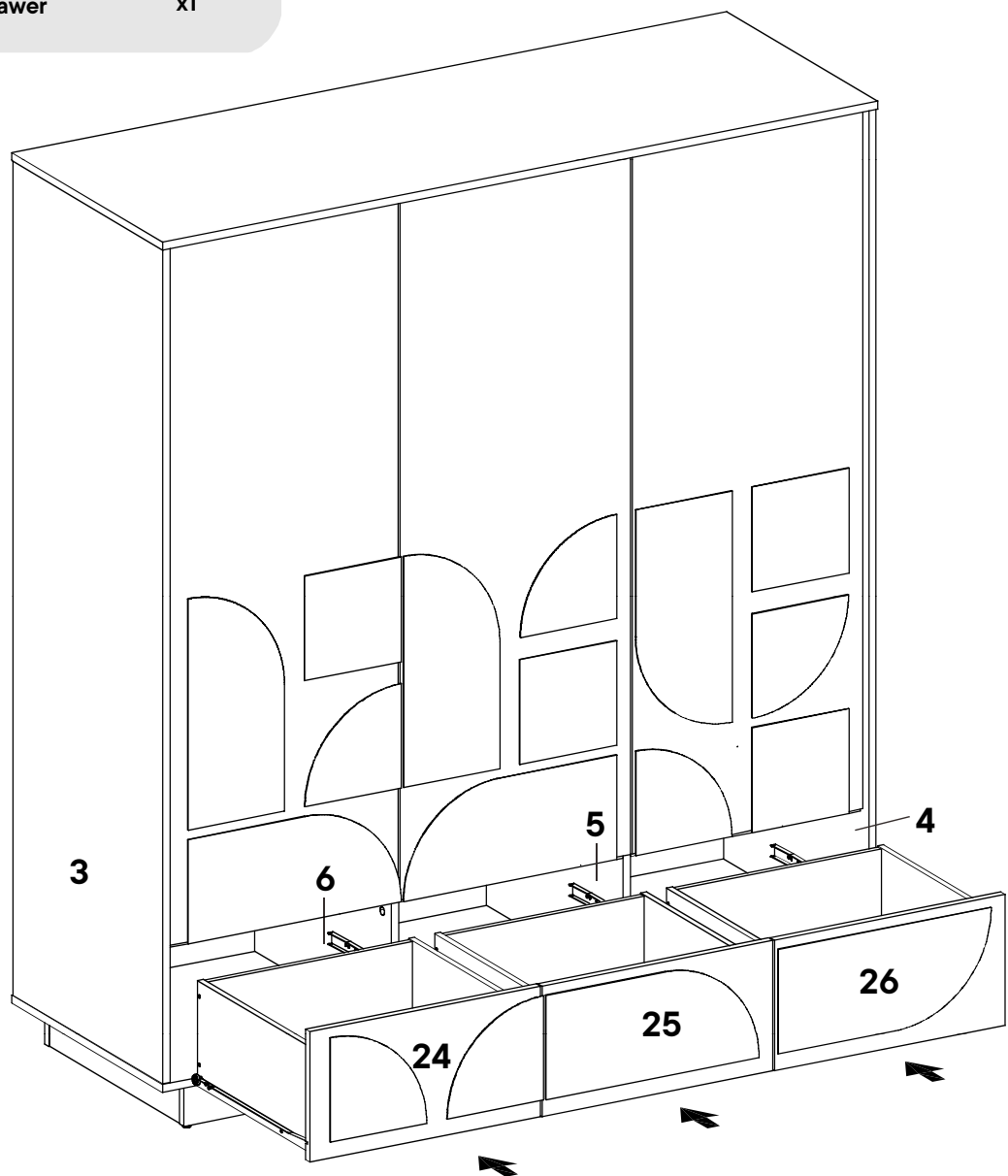
- 18** Left Drawer x3
- 19** Right Drawer x3
- 21** Side Bottom Drawer x2
- 23** Middle Bottom Drawer x1



Step 28

COMPONENTS

- ③ Left Board x1
- ④ Right Board x1
- ⑤ Large Divider Board x1
- ⑥ Small Divider Board x1
- ②④ Left Front Drawer x1
- ②⑤ Middle Front Drawer x1
- ②⑥ Right Front Drawer x1



Great job!

Wardrobe assembly is complete.

♥ CARING FOR YOUR ITEM

Indoor use only.

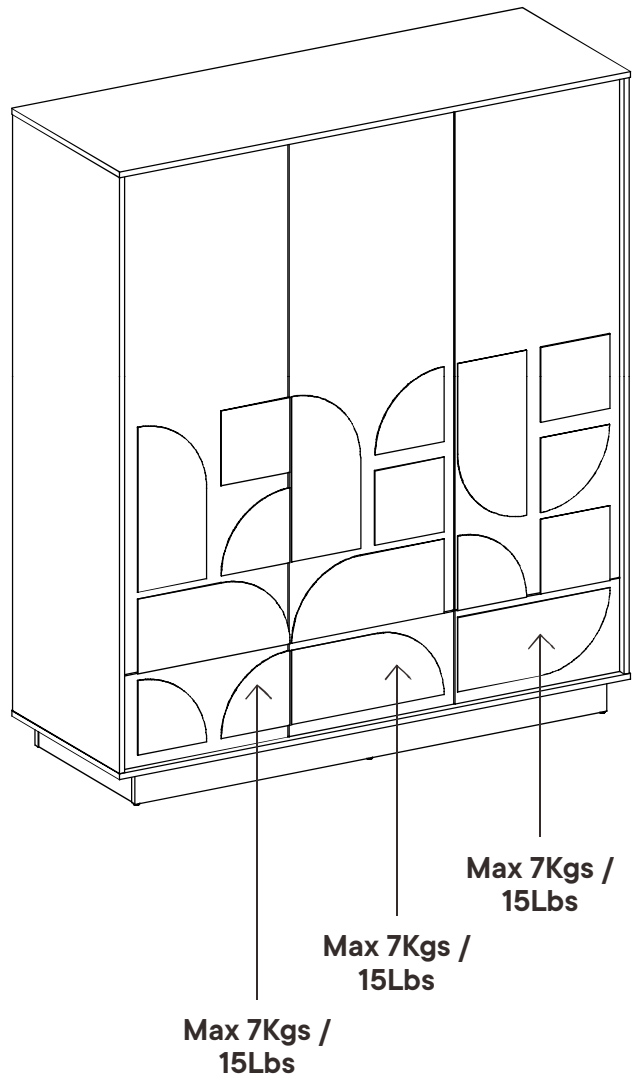
Not contract grade.

Clean using a non-abrasive cloth and a mild cleaner.

Never use harsh chemicals, as they could damage the finish or integrity of the item.

CONNECT WITH US!   

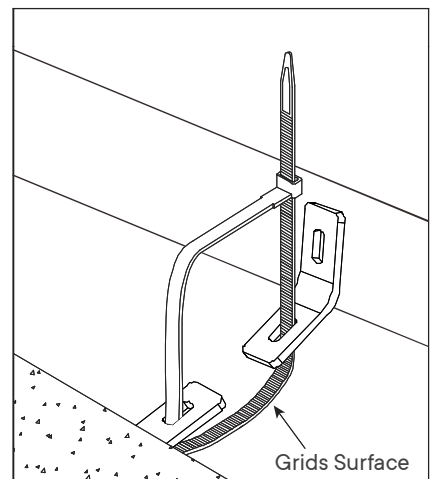
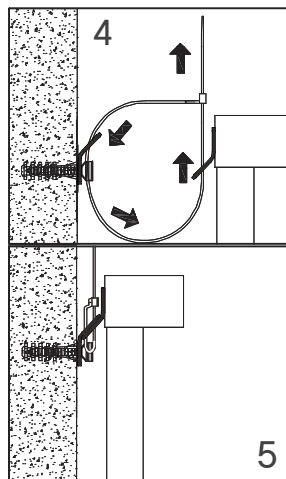
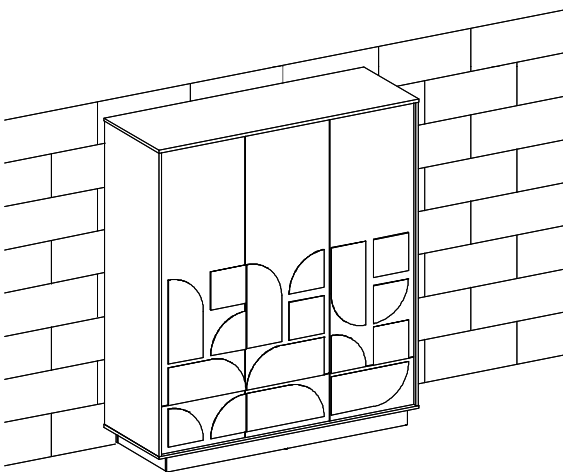
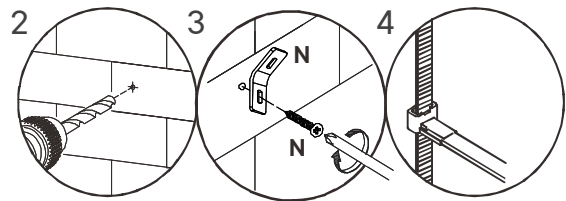
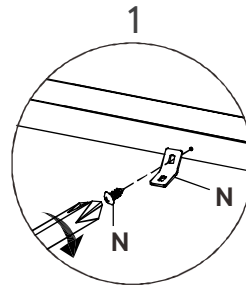
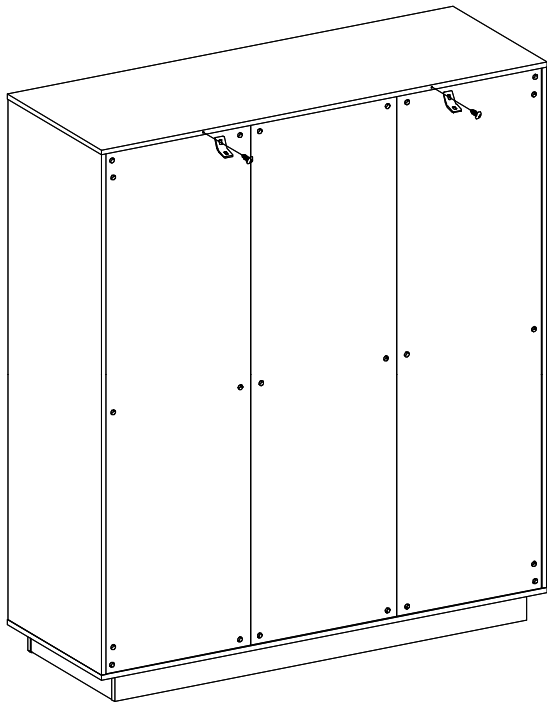
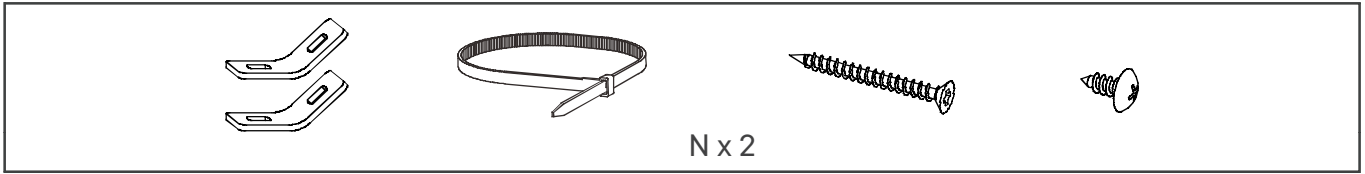
Tag us @modway_furniture and #modway for a chance to be featured.



TIPPING RESTRAINTS KIT INSTALLATION GUIDANCE

Different wall materials require unique wall fasteners.

Please consult your local hardware store to ensure you are using the correct hardware for you wall type.



Installation Instructions :

1. Attach bracket (N) securely to the back top of the furniture using short screw (N) provided.
2. Please make a hole on the wall for attach the bracket (N) to the back of unit.
3. Attach bracket (N) on the wall using long screw (N) as shown.
Locate the other bracket (N) on the wall. Place furniture into position so both brackets (N) as shown.
4. Lace the end of the restrains strap through the larger hole in each bracket. Ensure the restrains strap with grids surface facing the inner loops. Bring both ends together and slide the flat end through the locking end and draw it through until all slack is removed.
5. Make sure that the strap is securely laced & locked.