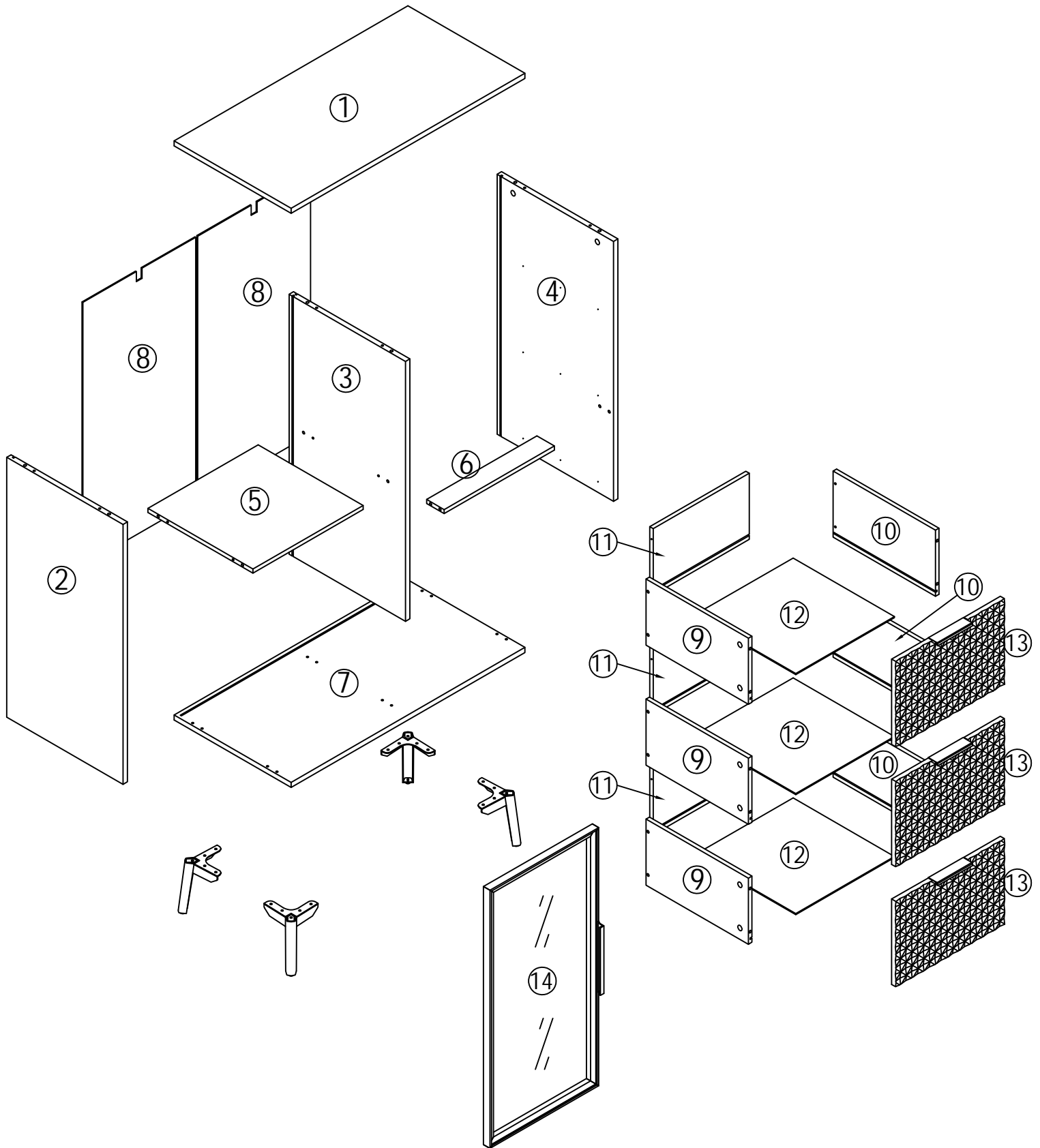
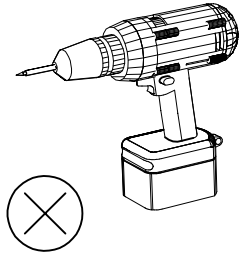
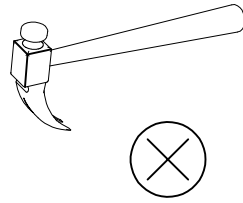
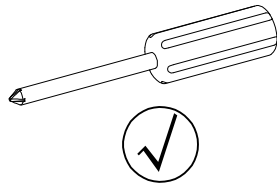
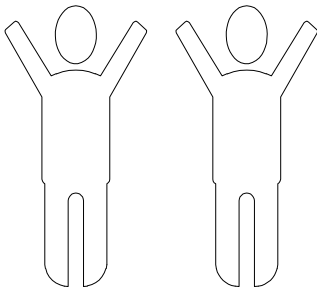


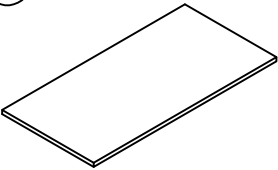
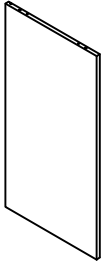
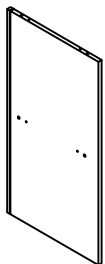
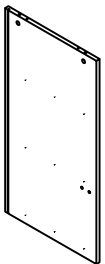
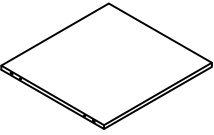
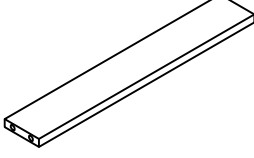
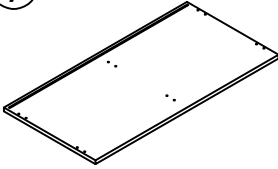
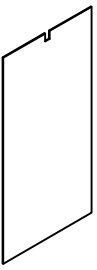
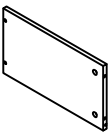
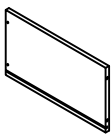
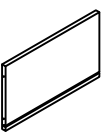
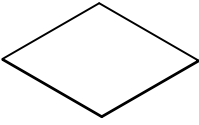
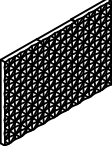
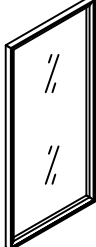
CBN535 V1.0

Parts List(EN)

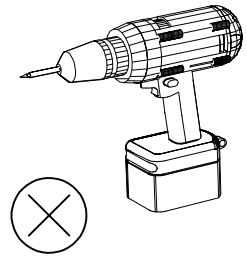
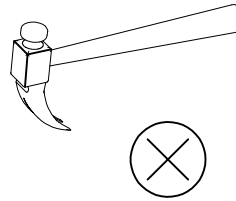
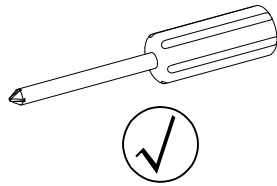
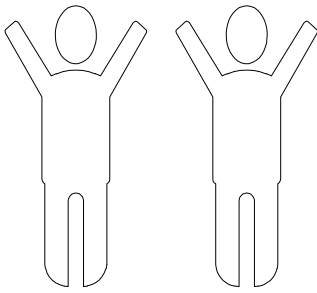




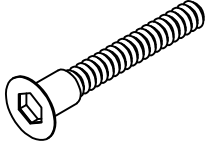
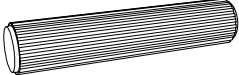
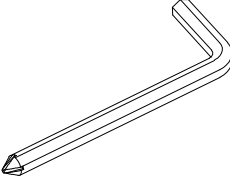
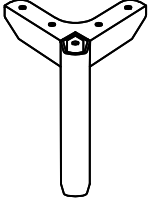



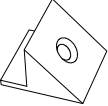
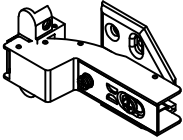

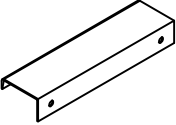
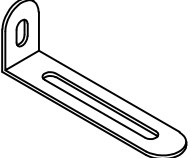
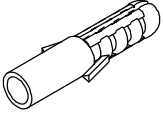
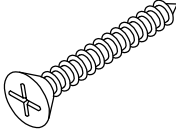

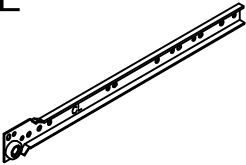
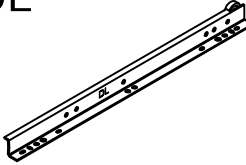
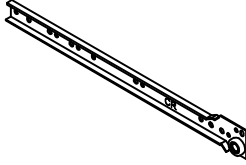
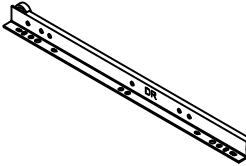
Parts List(EN)



<p>①</p>  <p>1PCS</p>	<p>②</p>  <p>1PCS</p>	<p>③</p>  <p>1PCS</p>	<p>④</p>  <p>1PCS</p>
<p>⑤</p>  <p>1PCS</p>	<p>⑥</p>  <p>1PCS</p>	<p>⑦</p>  <p>1PCS</p>	<p>⑧</p>  <p>2PCS</p>
<p>⑨</p>  <p>3PCS</p>	<p>⑩</p>  <p>3PCS</p>	<p>⑪</p>  <p>3PCS</p>	<p>⑫</p>  <p>3PCS</p>
<p>⑬</p>  <p>3PCS</p>	<p>⑭</p>  <p>1PCS</p>		

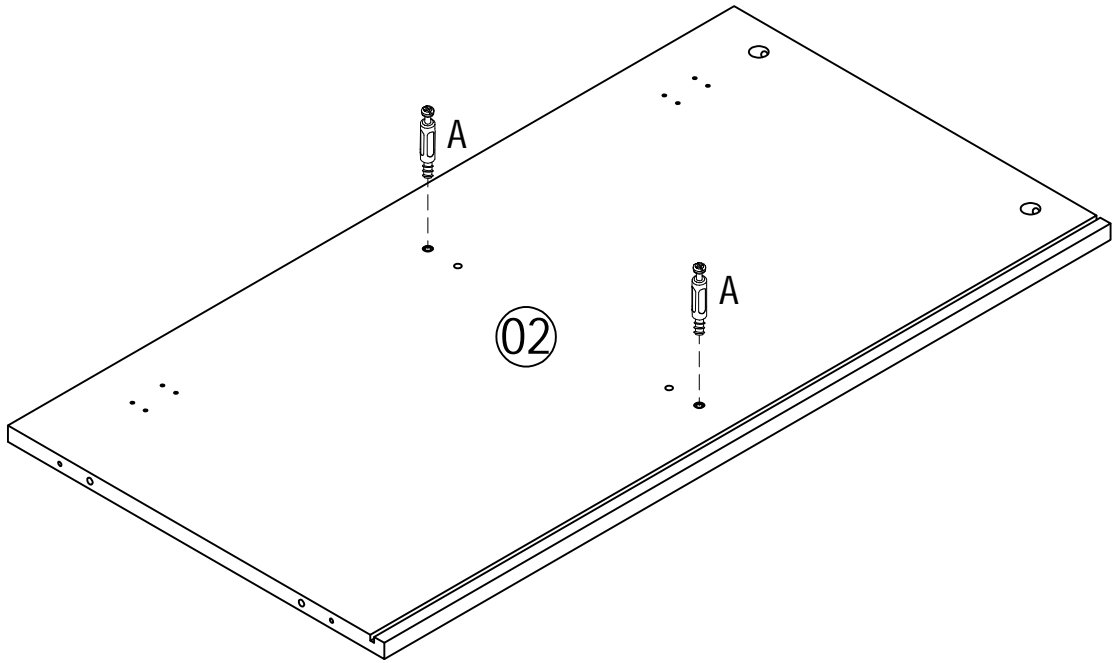
Parts List(EN)




<p>A</p>  <p>$\phi 6 * 37\text{mm}$</p> <p>26+2PCS</p>	<p>B</p>  <p>$\phi 15 * 9.5\text{mm}$</p> <p>26+2PCS</p>	<p>C</p>  <p>ST5*50mm</p> <p>18+2PCS</p>	
<p>D</p>  <p>$\phi 8 * 30\text{mm}$</p> <p>16+2PCS</p>	<p>E</p>  <p>M4</p> <p>1PCS</p>	<p>F</p>  <p>4PCS</p>	
<p>G</p>  <p>$\phi 3.5 * 12\text{mm}$</p> <p>50+2PCS</p>	<p>H</p>  <p>4+1PCS</p>	<p>I</p>  <p>$\phi 3.5 * 14\text{mm}$</p> <p>28+2PCS</p>	
<p>J</p>  <p>8+1PCS</p>	<p>M</p>  <p>2 PCS</p>	<p>N</p>  <p>$\phi 21\text{mm}$</p> <p>2+2 PCS</p>	<p>O</p>  <p>3 PCS</p>
<p>R</p>  <p>2 PCS</p>	<p>S</p>  <p>2+1 sets</p>	<p>T</p>  <p>$\phi 4 * 35\text{mm}$</p> <p>2+1 sets</p>	<p>U</p>  <p>$\phi 3.5 * 14\text{mm}$</p> <p>2+1 sets</p>
<p>CL</p>  <p>L=350mm</p> <p>3 PCS</p>	<p>DL</p>  <p>L=350mm</p> <p>3 PCS</p>	<p>CR</p>  <p>L=350mm</p> <p>3 PCS</p>	<p>DR</p>  <p>L=350mm</p> <p>3 PCS</p>

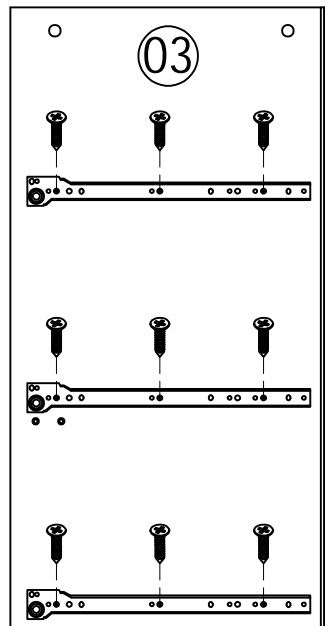
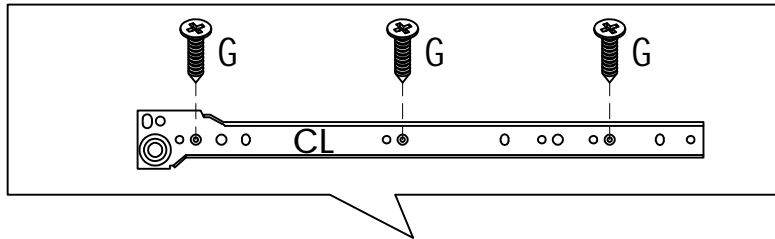
Assembly Steps(EN)


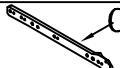
Step 1



	Ax2pcs
---	--------

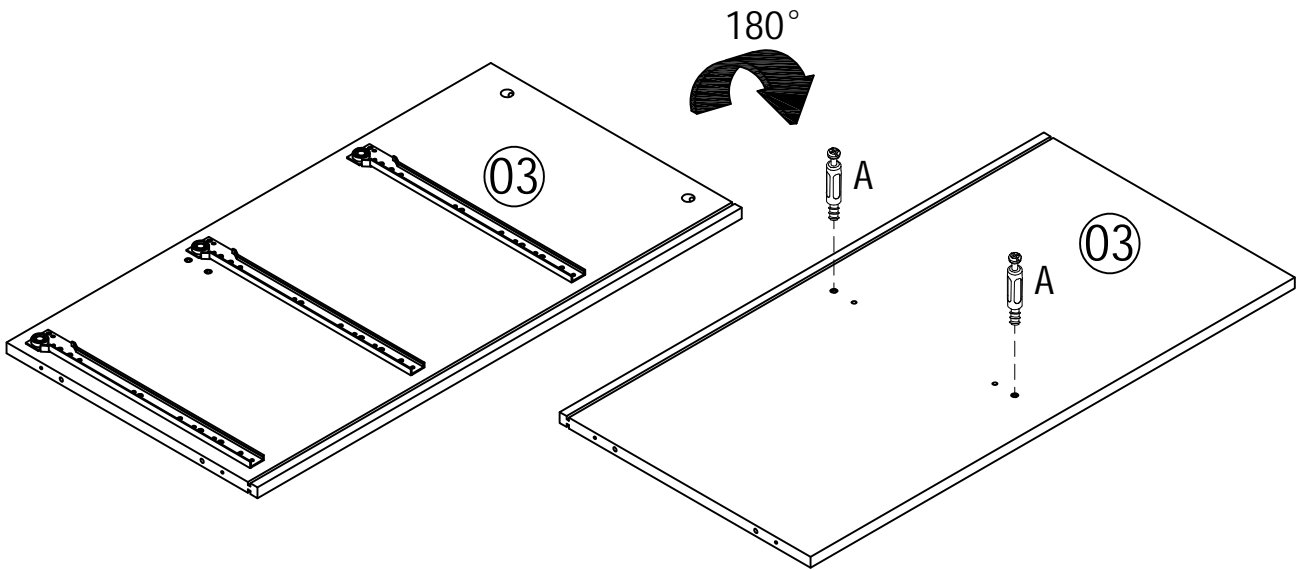
Step 2




	Gx9pcs
	CL 3pcs

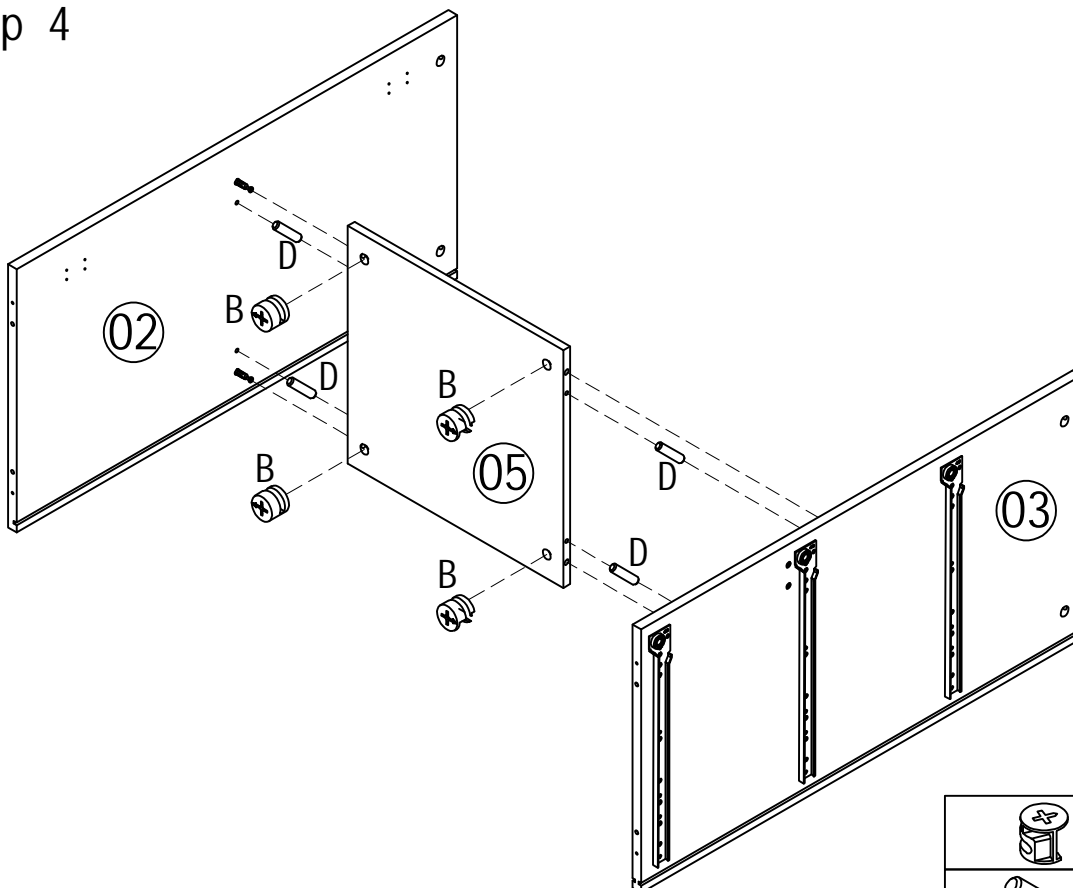
Assembly Steps(EN)



Step 3



	Ax2pcs
---	--------

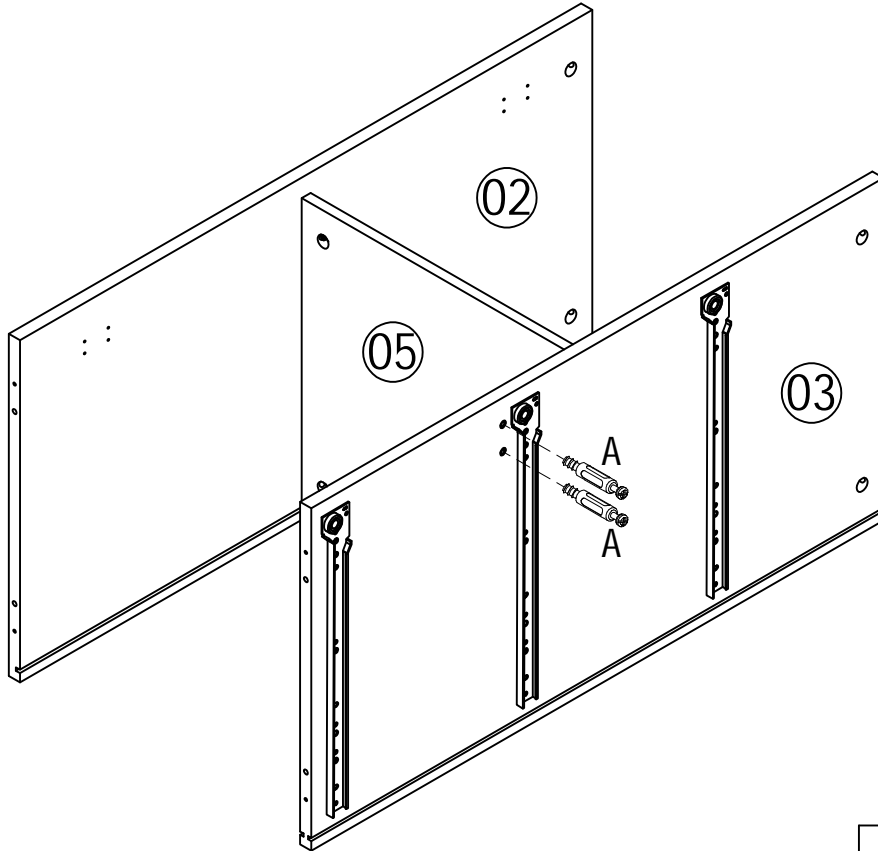
Step 4




	Bx4pcs
	Dx4pcs

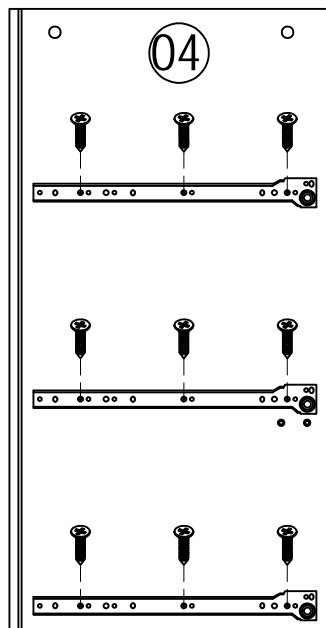
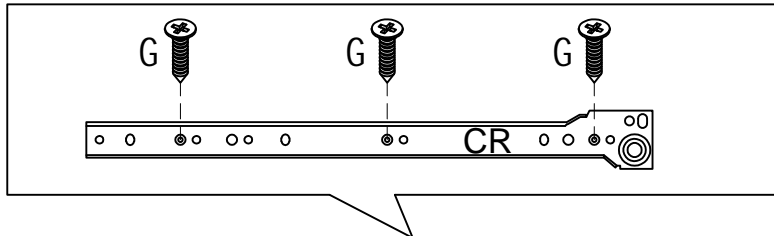
Assembly Steps(EN)



Step 5



	Ax2pcs
---	--------

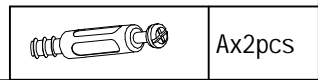
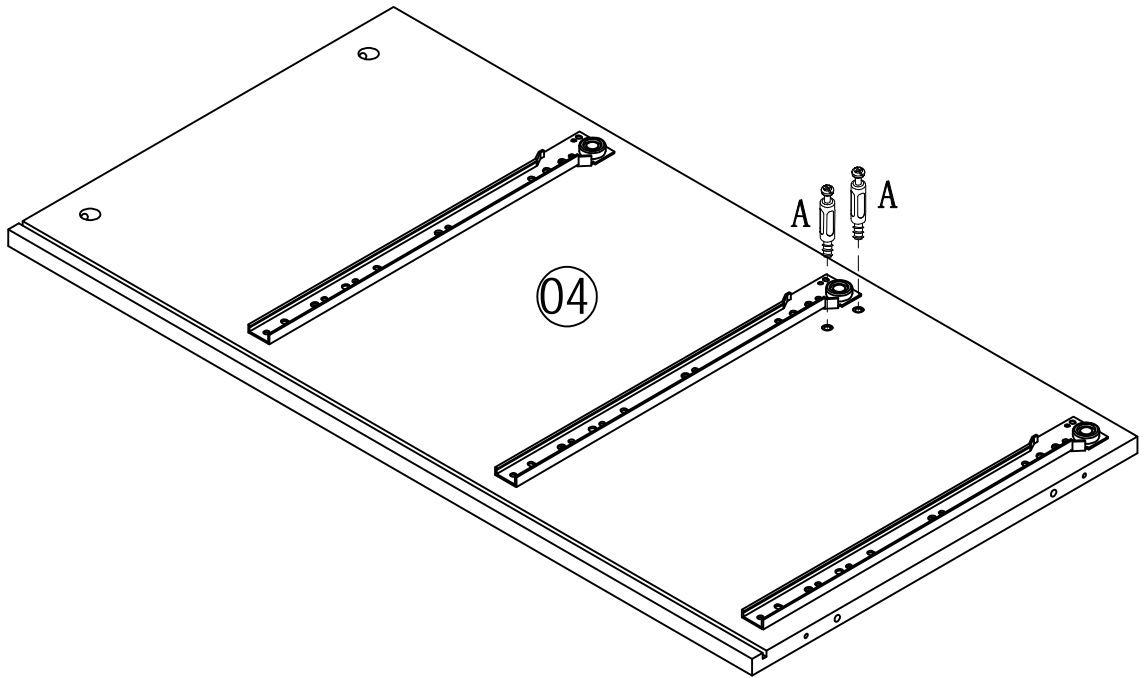
Step 6



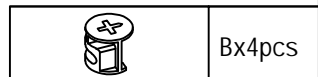
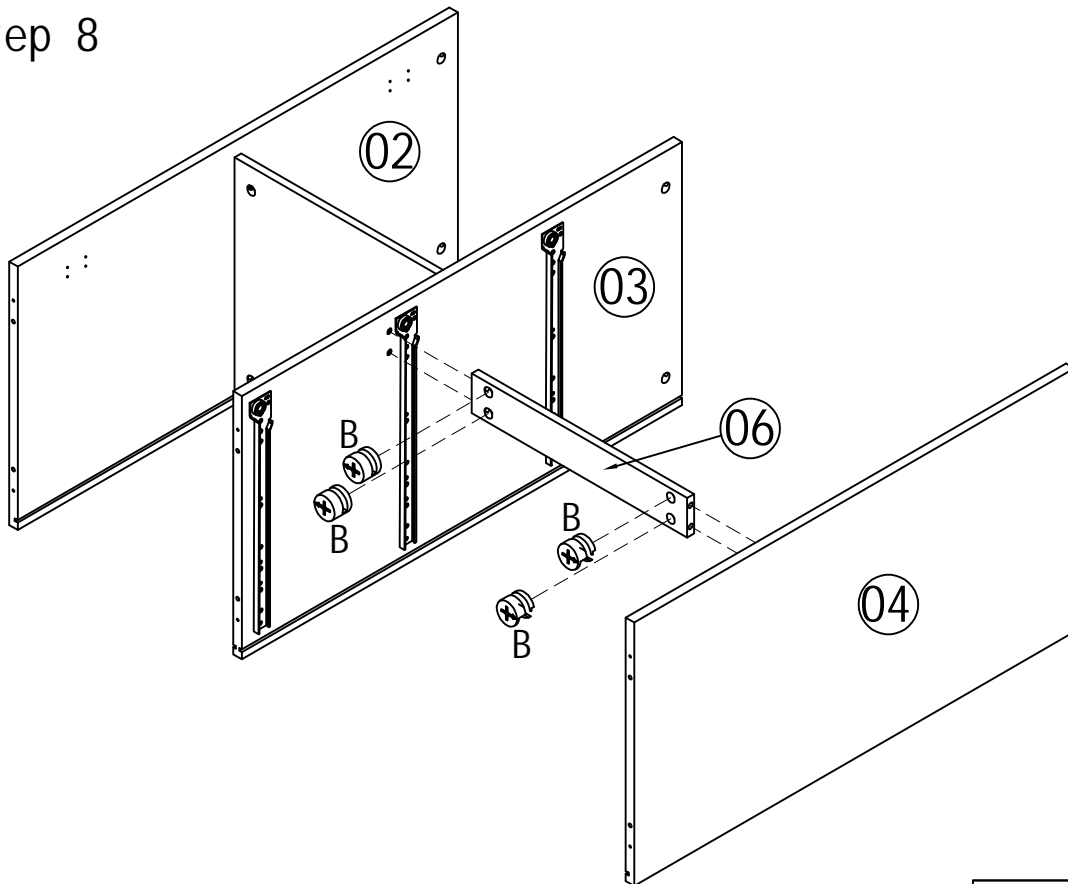
	Gx9pcs
	3pcs

Assembly Steps(EN)

Step 7

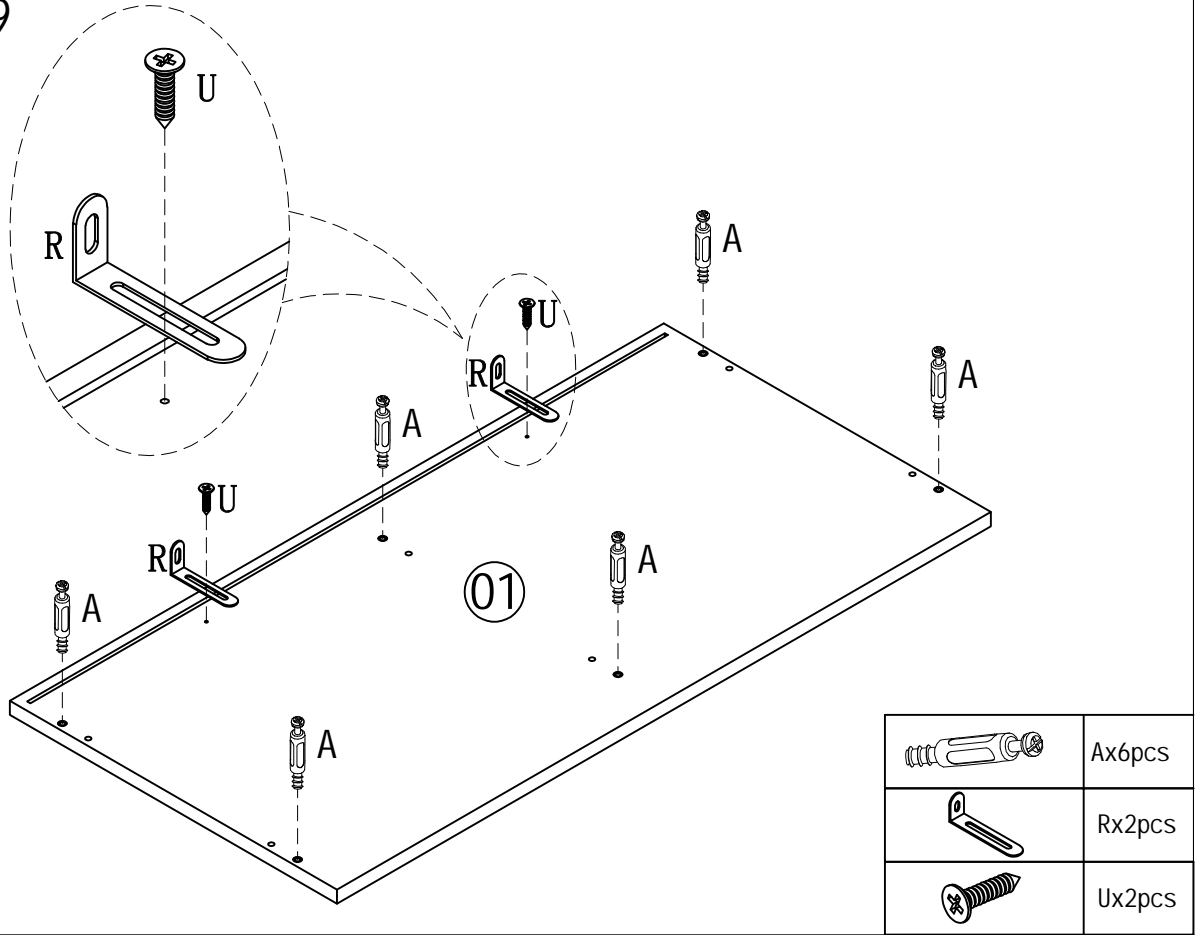


Step 8

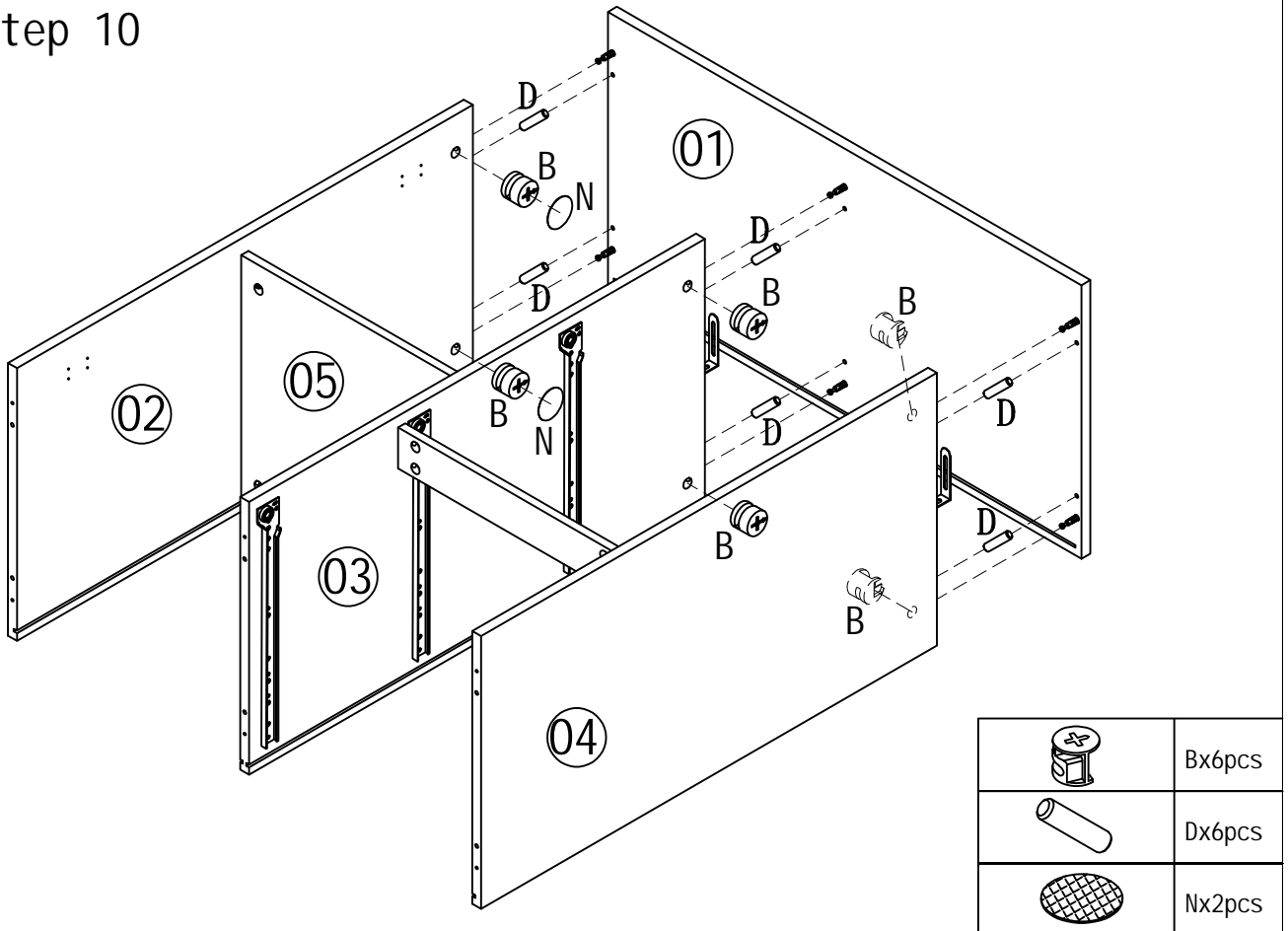


Assembly Steps(EN)

Step 9

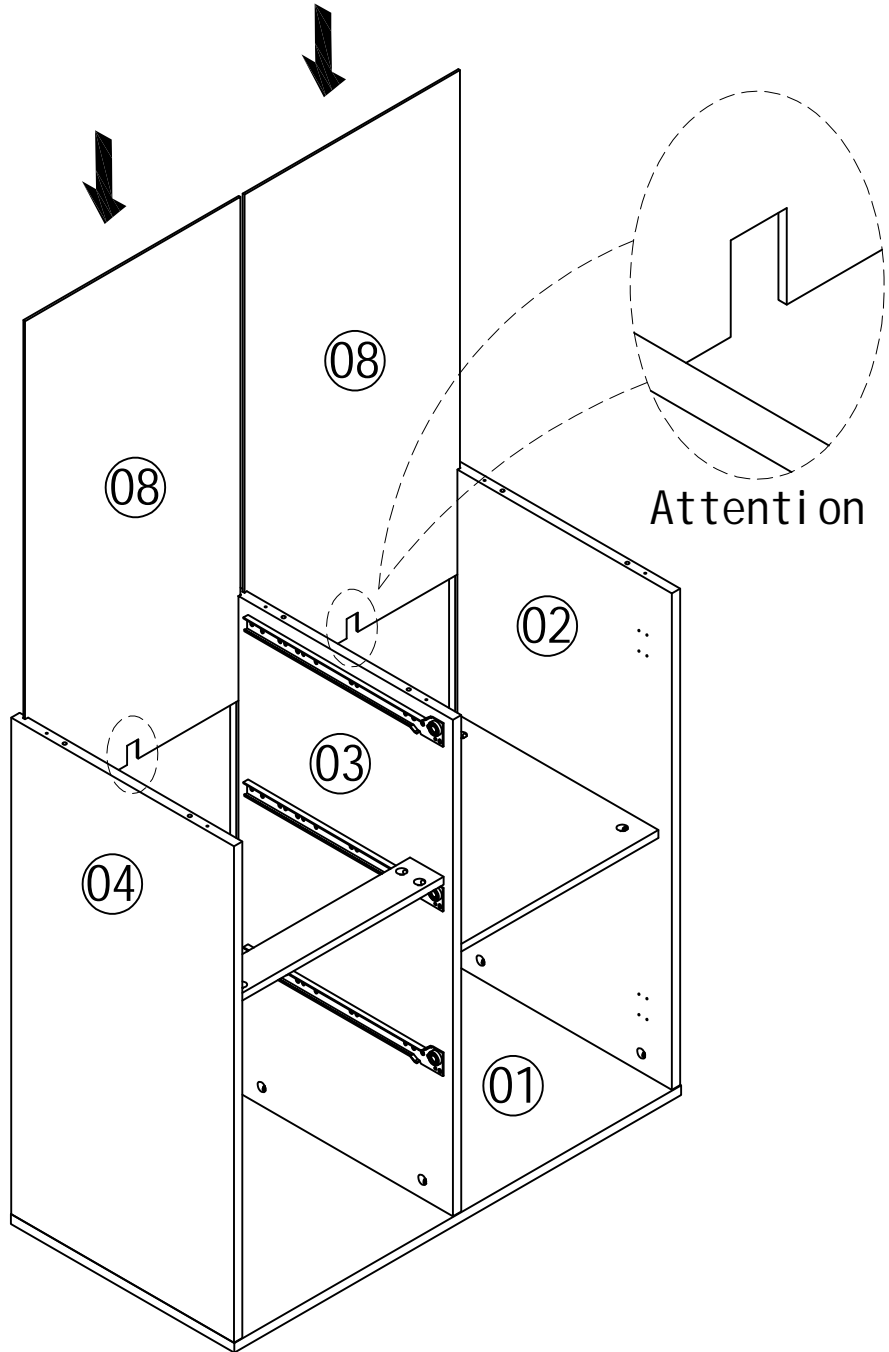


Step 10



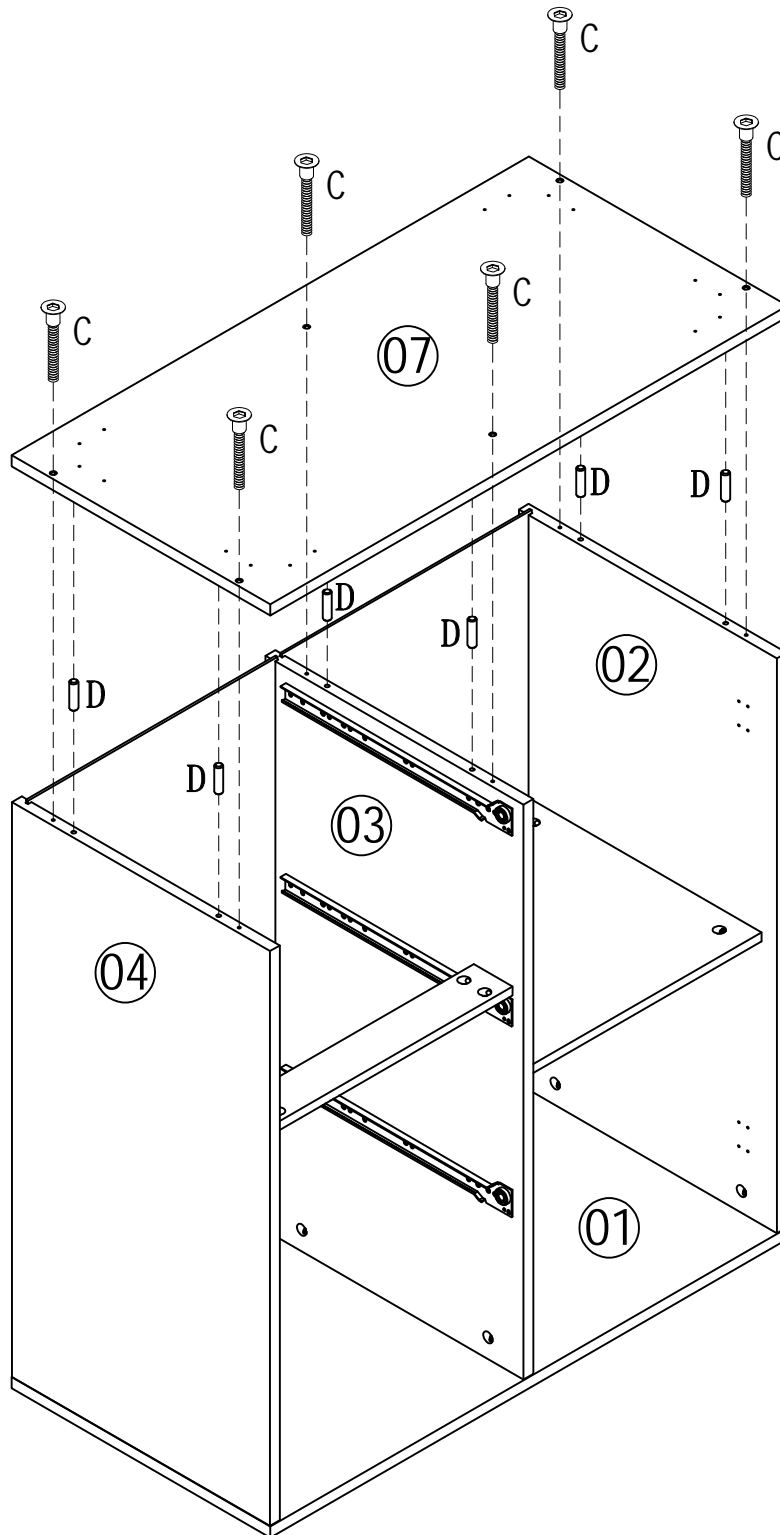
Assembly Steps(EN)



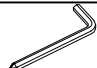
Step 11



Assembly Steps(EN)

Step 12





	Cx6pcs
	Dx6pcs
	Ex1pcs

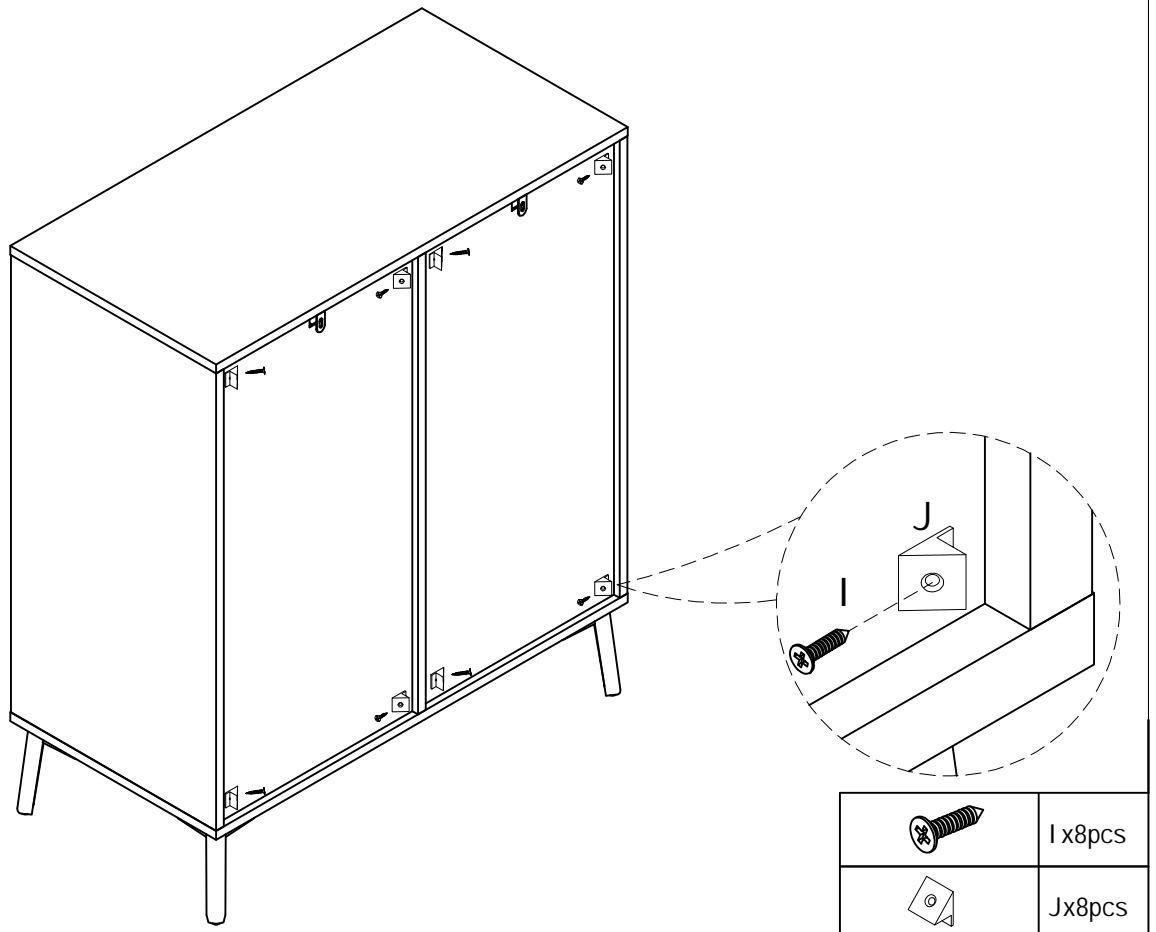
Assembly Steps(EN)



Step 13



	Fx4pcs
	I x20pcs

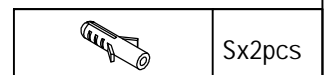
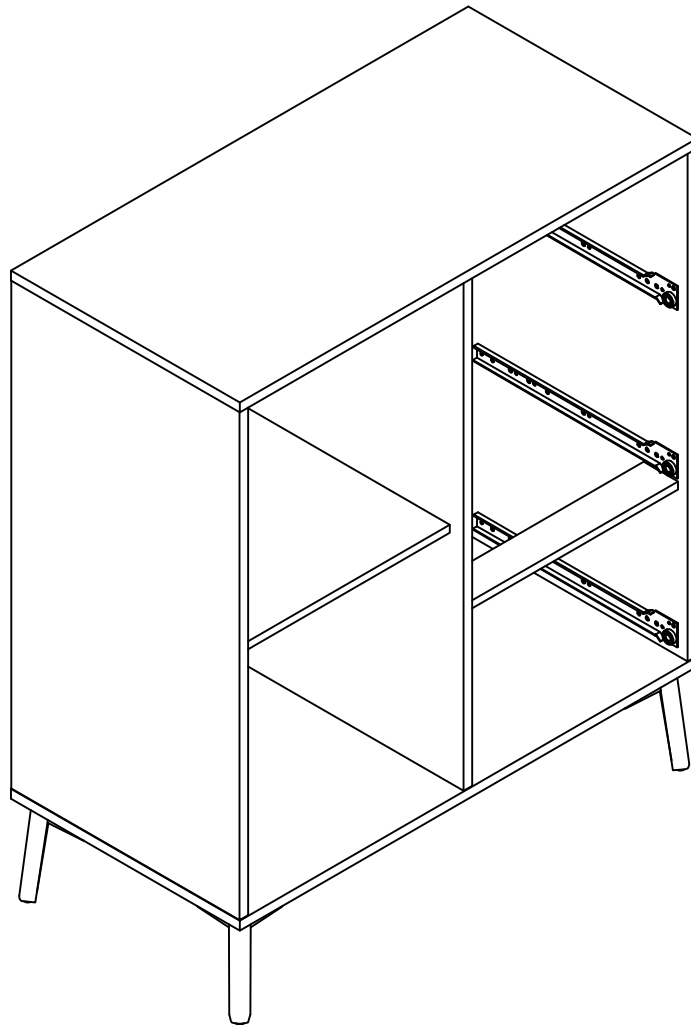
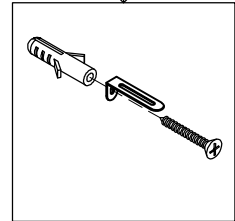
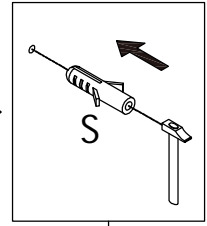
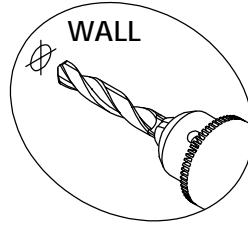
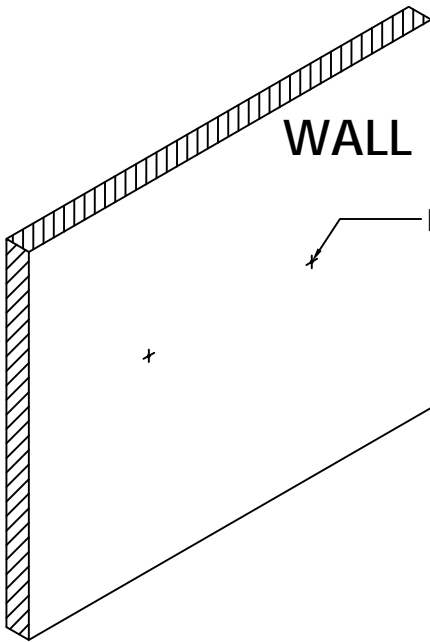
Step 14



	I x8pcs
	Jx8pcs

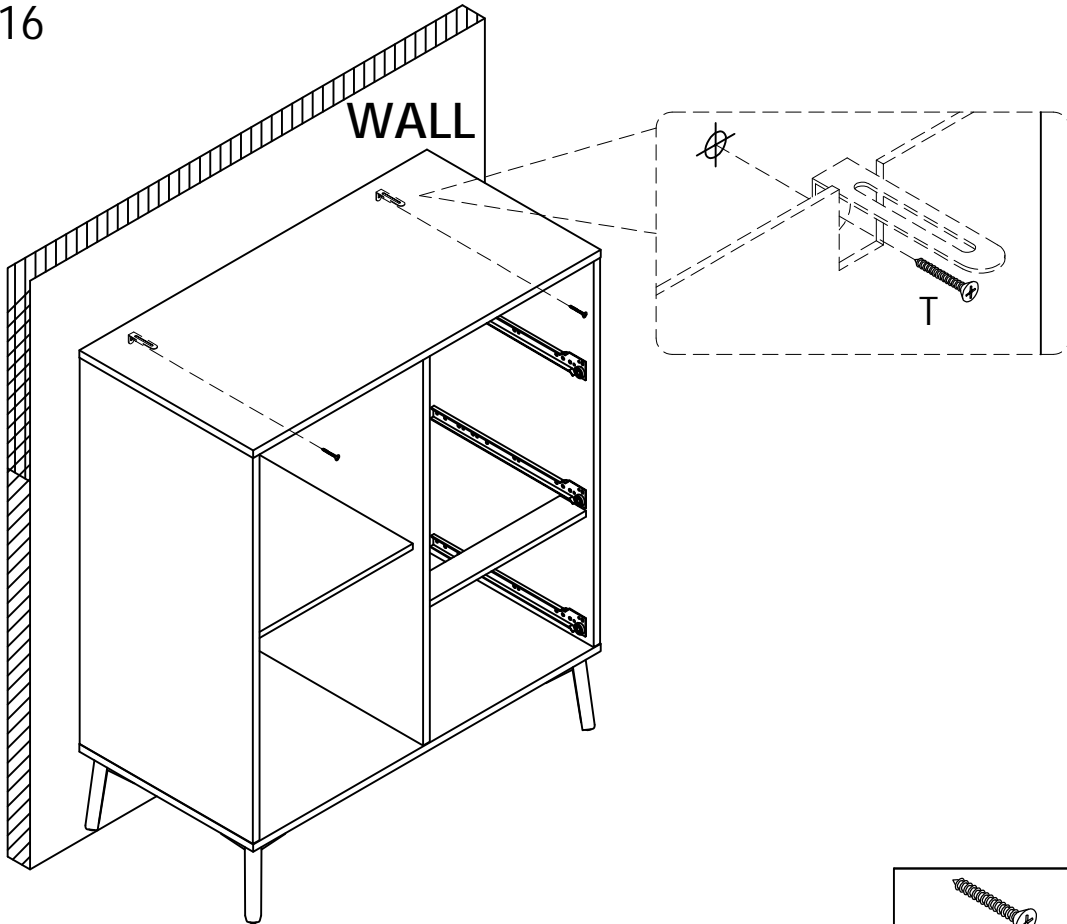
Assembly Steps(EN)

Step 15

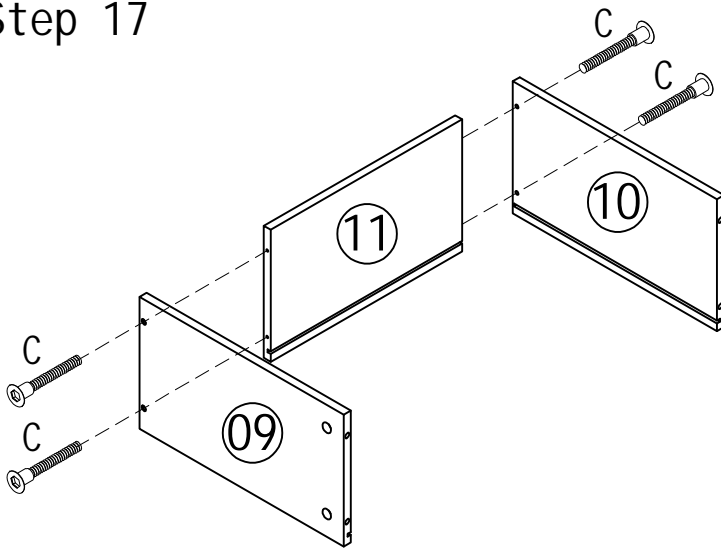


Assembly Steps(EN)

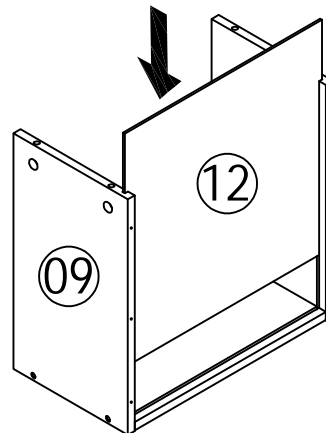
Step 16





Step 17



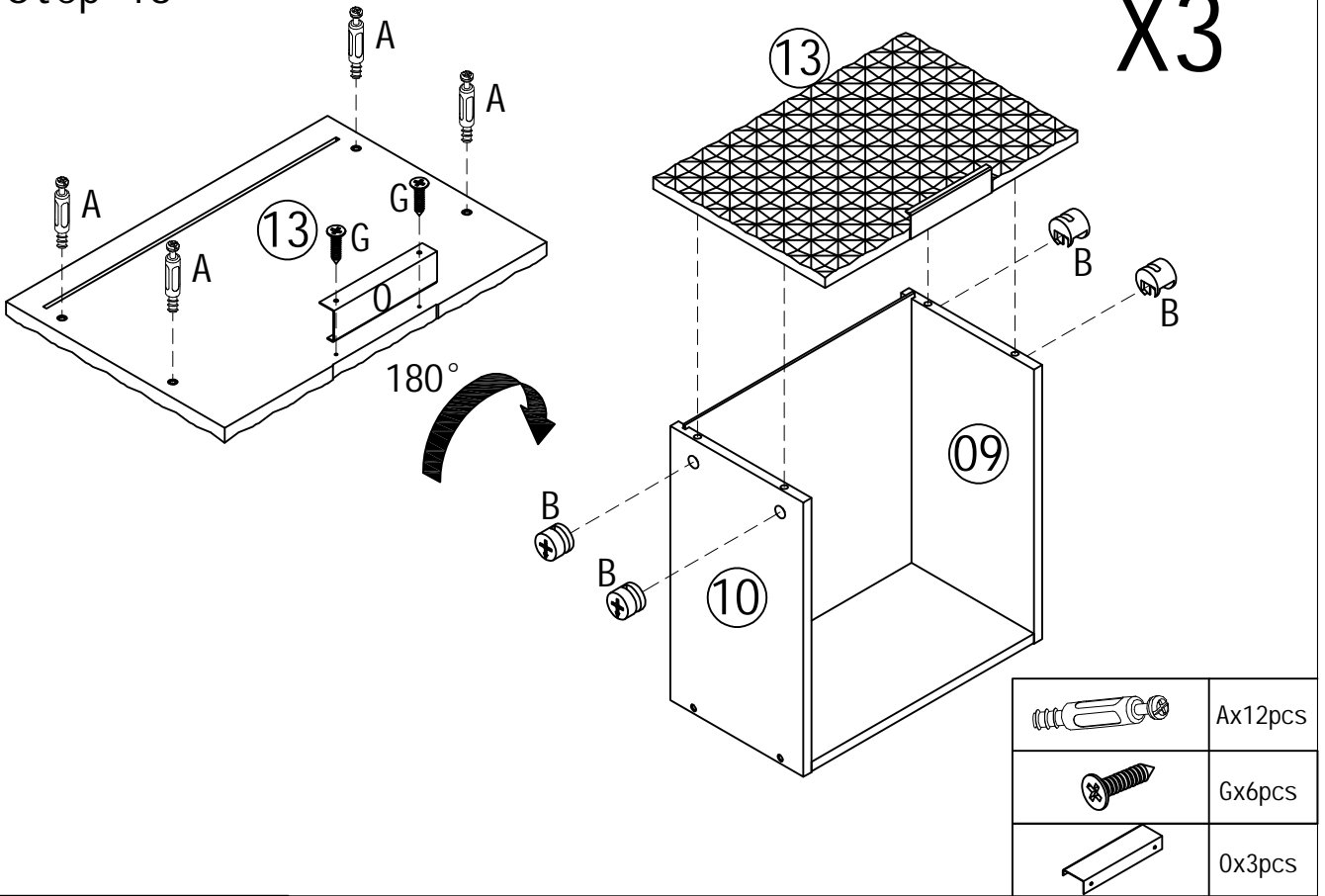
X3



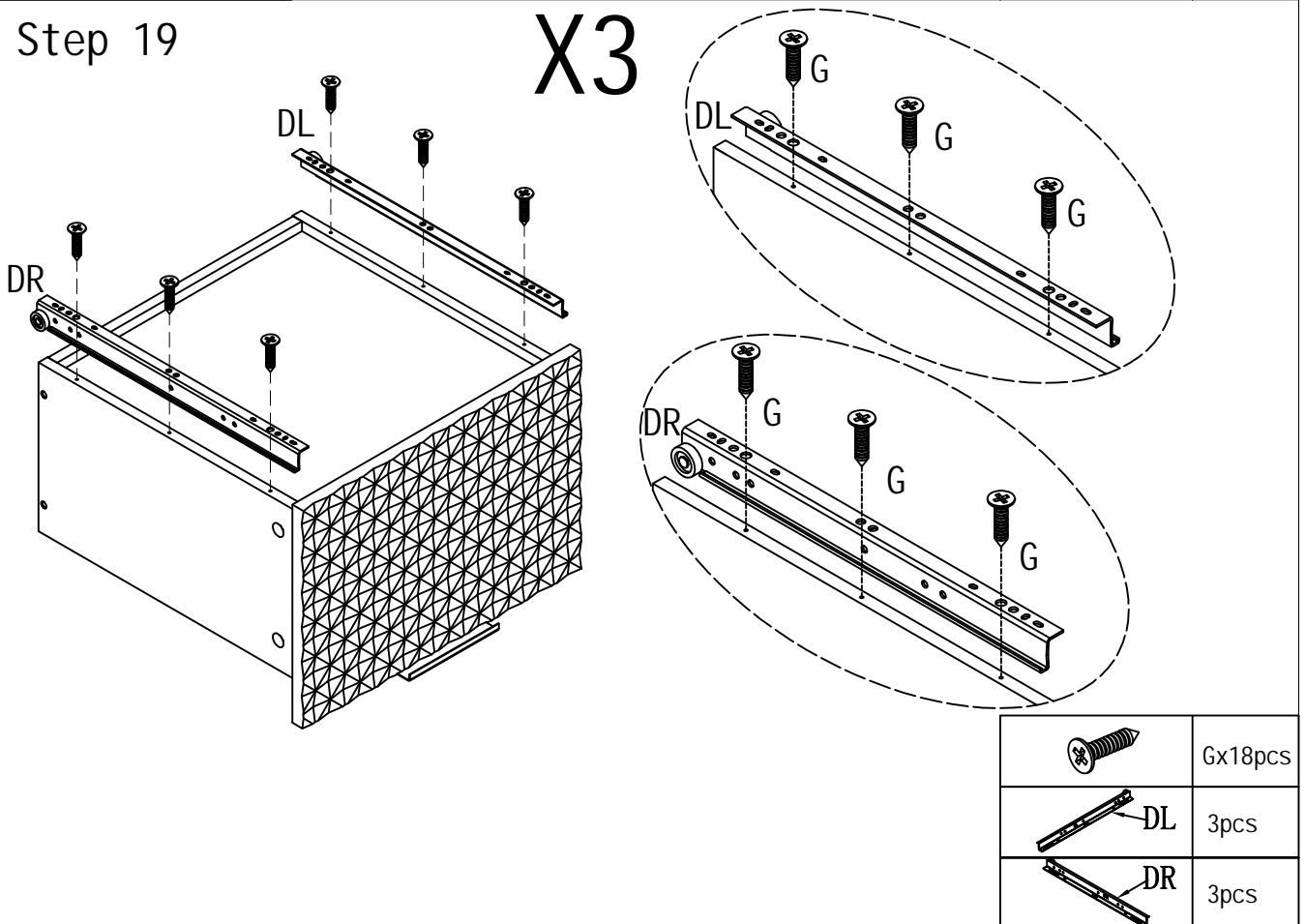
	Cx12pcs
	Ex1pcs

Assembly Steps(EN)

Step 18

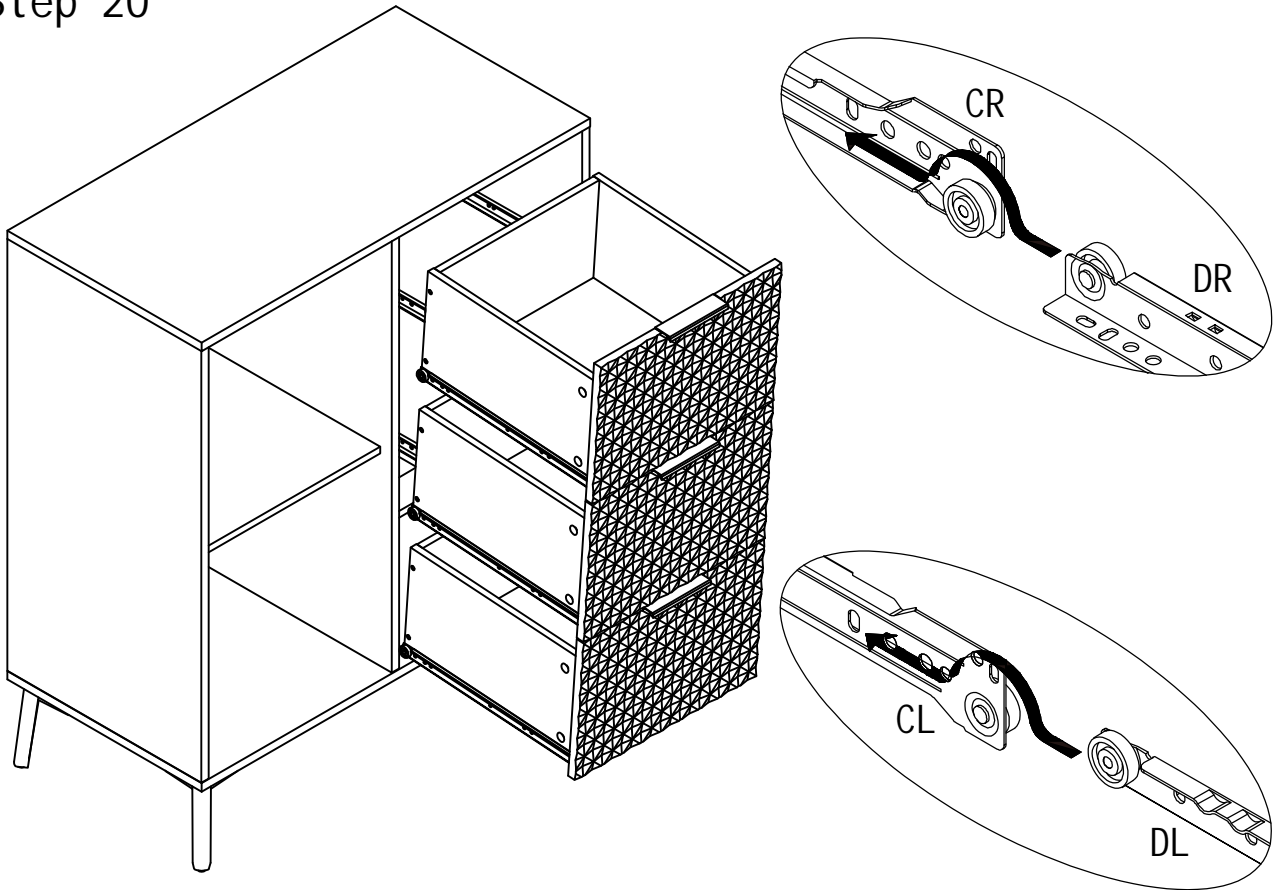


Step 19

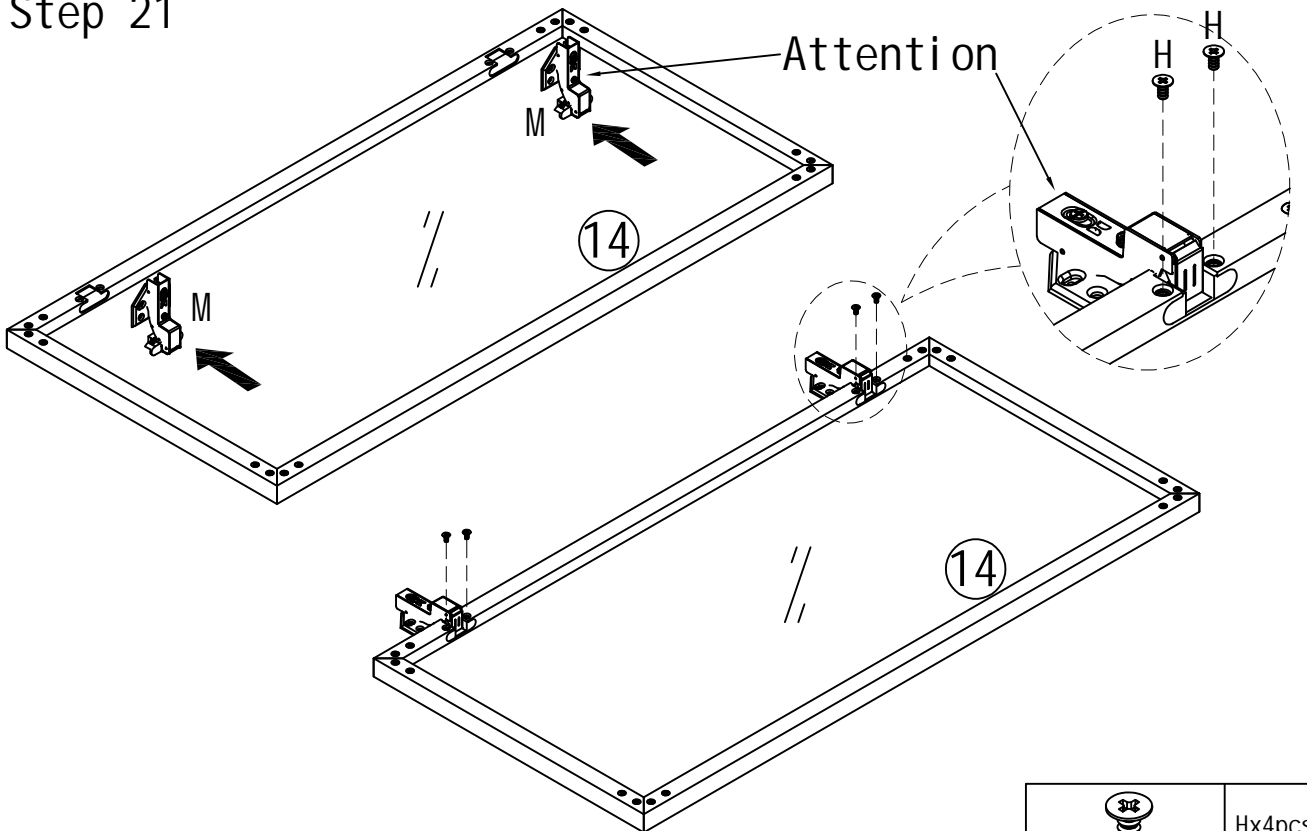




Assembly Steps(EN)

Step 20



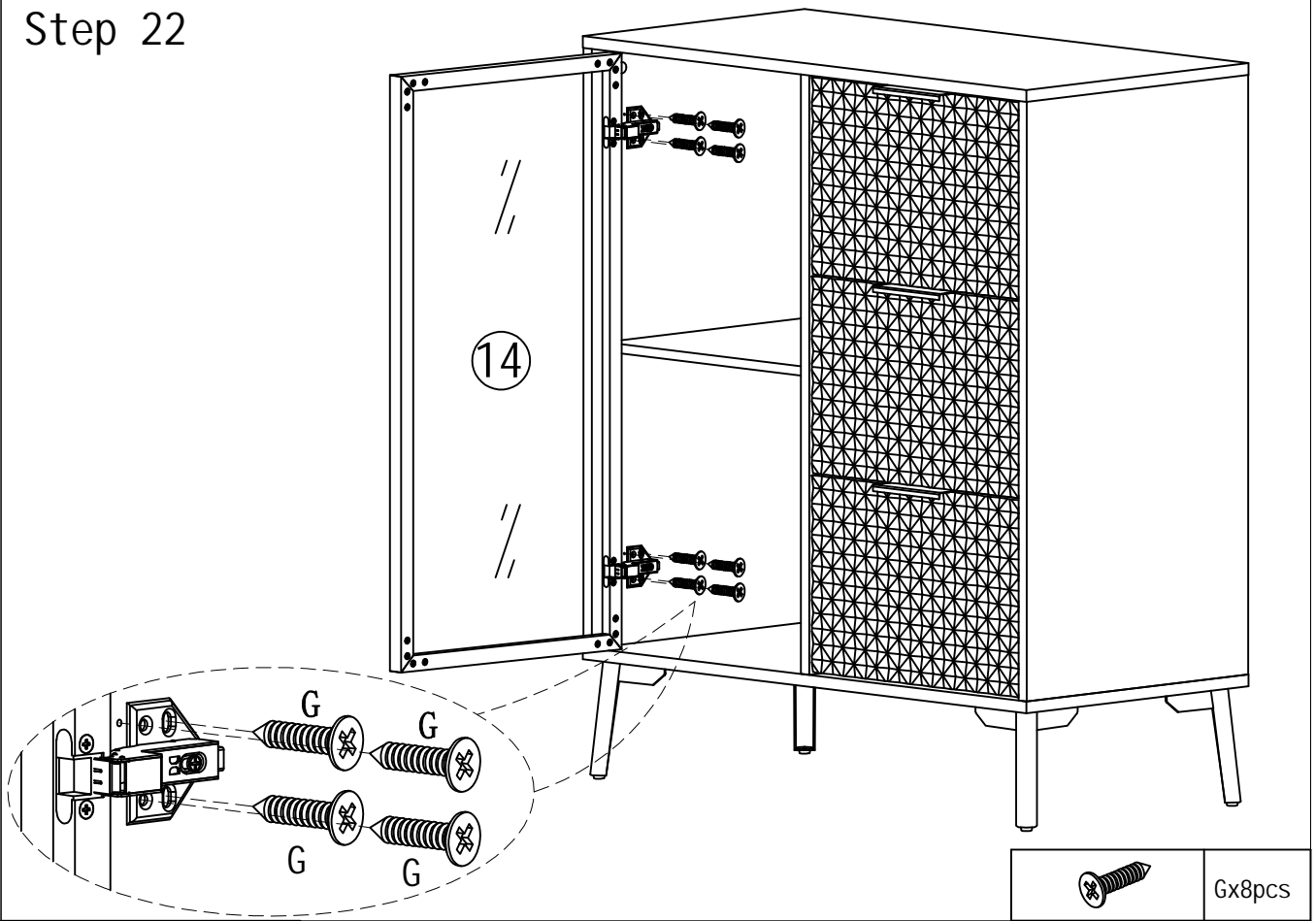
Step 21



	Hx4pcs
	Mx2pcs

Assembly Steps(EN)

Step 22



Step 23

