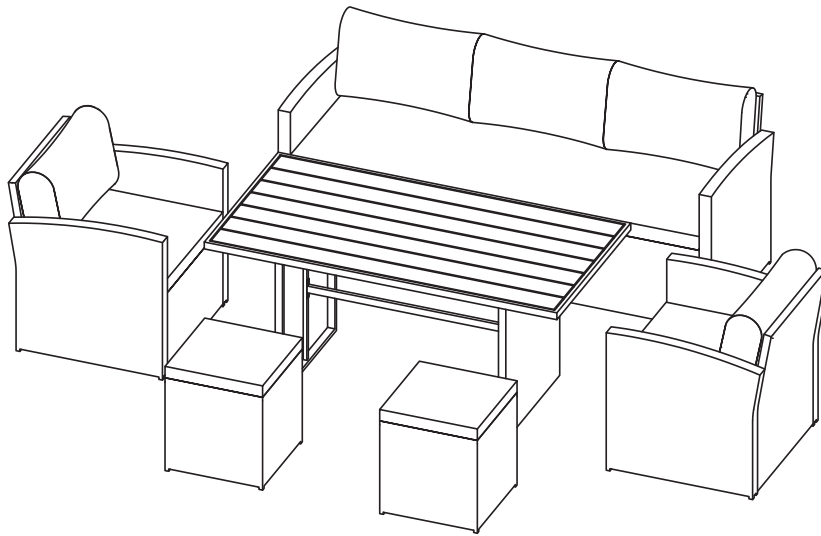


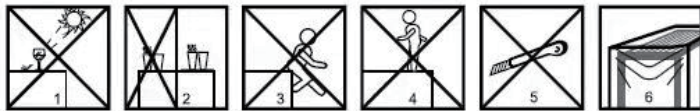
RF0008 A/B

6-Piece PE Wicker Sofa Set



IMPORTANT!

! It is important that any product which is assembled using any kind of screw is re-tightened 2 weeks after assembly, and once every 3 months - in order to assure stability through-out the lifespan of the product.



! Congratulations on your new piece of garden furniture
What is artwood?

Artwood is designed for outdoor use and can withstand all types of weather. Artwood is made of a synthetic plastic material that looks and functions much like natural wood. It is developed for those who prefer attractive and stylish garden furniture that does not require significant maintenance work. Artwood offers several advantages compared to natural wood. It is resistant to moisture and mildew, which means it is longer lasting. Artwood is a durable material and, unlike natural wood, excessive dryness will not lead to cracks and fissures.

Choosing garden furniture made of artwood also helps to reduce deforestation.

Please keep the following guidelines in mind:

1. To prevent damage due to high temperatures, do not leave glass items directly on artwood surfaces after use.
2. Do not place extremely hot or cold objects directly on the artwood surface; use coasters or placemats instead.
- 3/4. Do not stand on the artwood surface.
5. Never use hard, pointed or sharp objects on the artwood surface.
6. In winter months, it is best to store the furniture in a dry place. If this is not possible, the furniture should be protected by a garden furniture cover. When cleaning artwood, use a damp cloth or chamois, with soap or washing-up liquid if necessary. Never use washing powder or other products containing scouring agents, as these may scratch the surface.

Problems?

As a valued customer, your satisfaction is our NO.1 priority.
We will help you solve the problems immediately. Please contact us through the platform or email with your purchase ID.




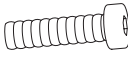





Happy?

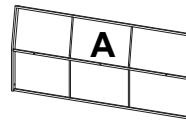
If you are satisfied with our product, please leave us your good review to the item.
It can make others feel happy too.

Thank you very much!

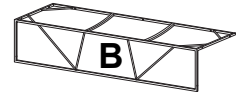
CARTON 1/3

Hardware fittings

Item no.	Reference Image	Description	Qty.	Extra spare Parts Qty.
P		screw M6x70	6	0
Q		screw M6x60	3	1
R		screw M6x50	26	1
S		screw M6x32	22	1
T		screw M6x15	4	0
U			29	1
V		washer	90	2
W		allen key	1	0
X		allen wrench	1	0



sofa backrest x1



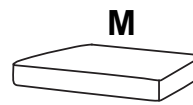
sofa seat panel x1



sofa seat cushion x1



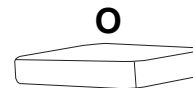
armchair backrest x2



armchair seat cushion x2

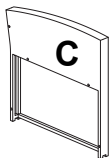


back cushion x5

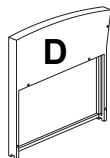


stool cushion x 2

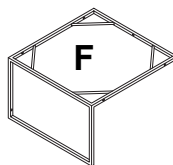
CARTON 2/3



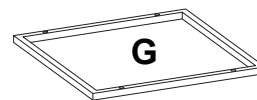
left armrest x3



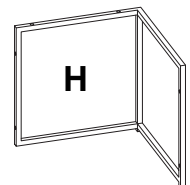
right armrest x3



armchair seat panel x2



stool top x2



stool side panel x4

CARTON 3/3

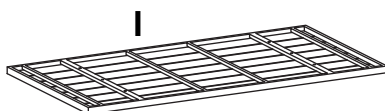


table top x 1

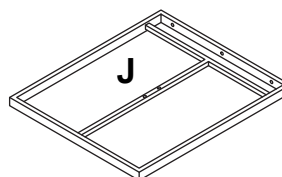
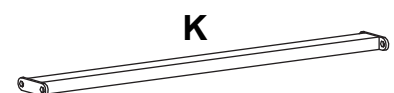


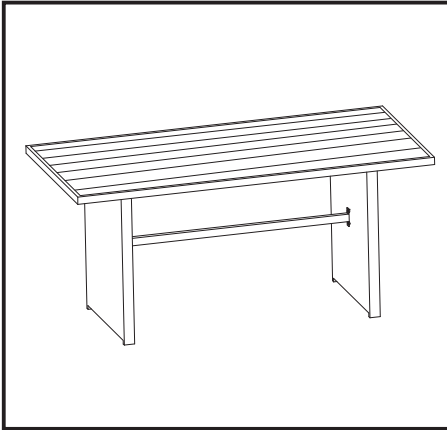
table leg x2

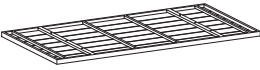
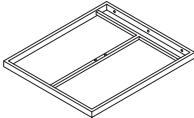



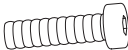
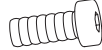


linking tube x1

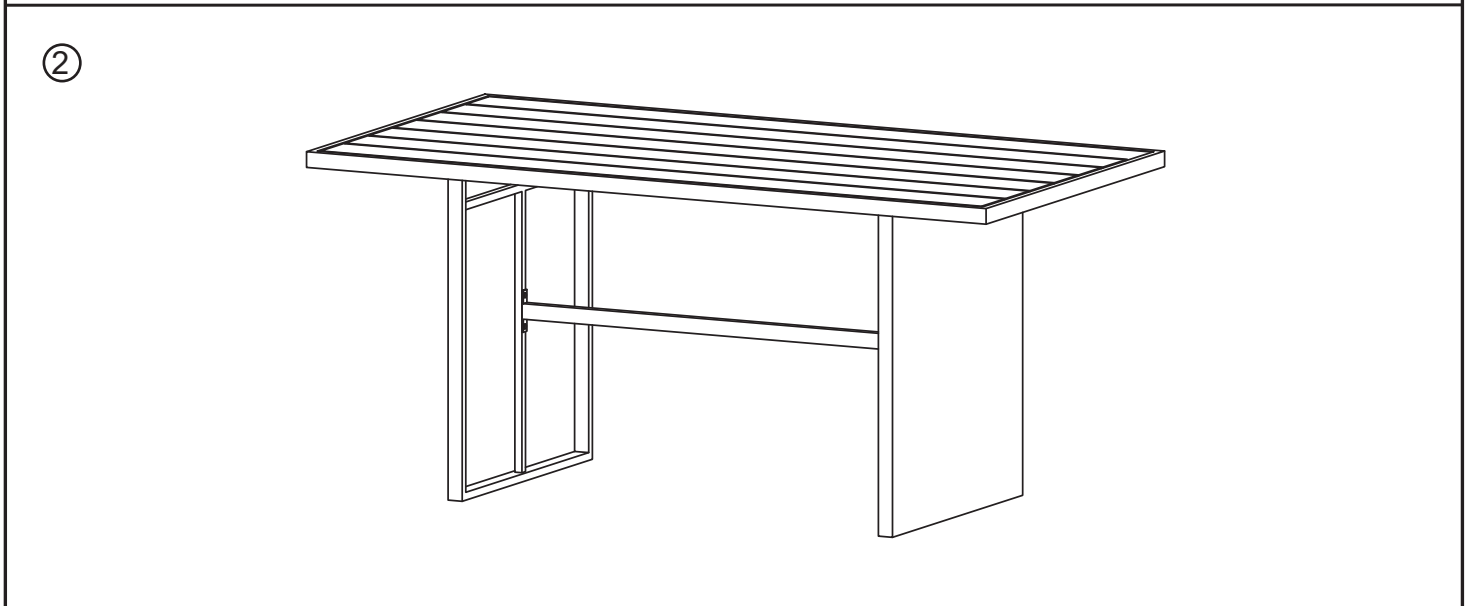
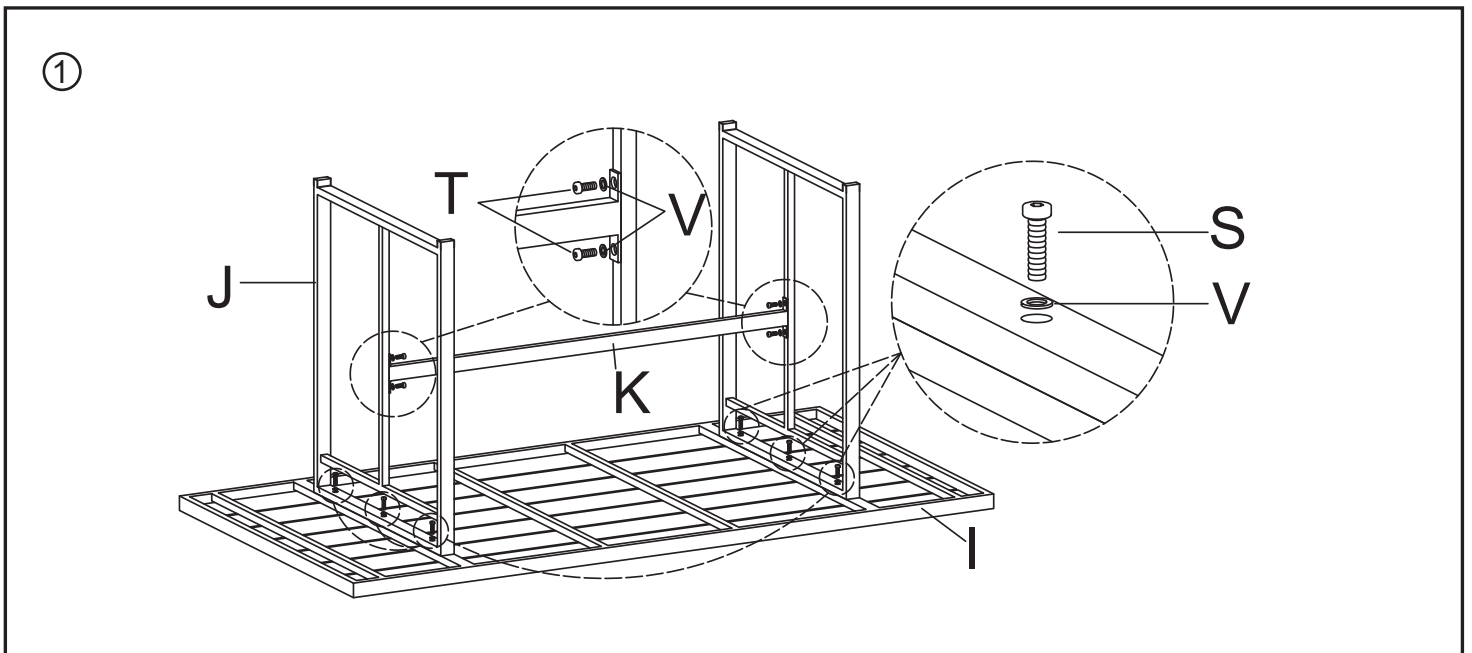
ASSEMBLY

Tablex1

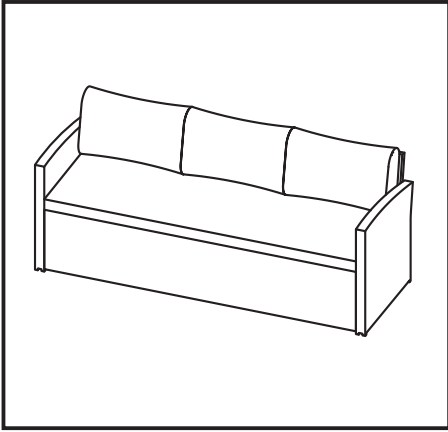




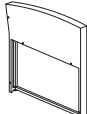
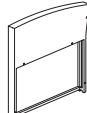

I	 table top	1
J	 table leg	2
K	 linking tube	1

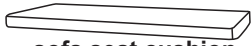







S	 screw M6X32	6
T	 screw M6X15	4
V	 washer M6	10
W	 allen key	

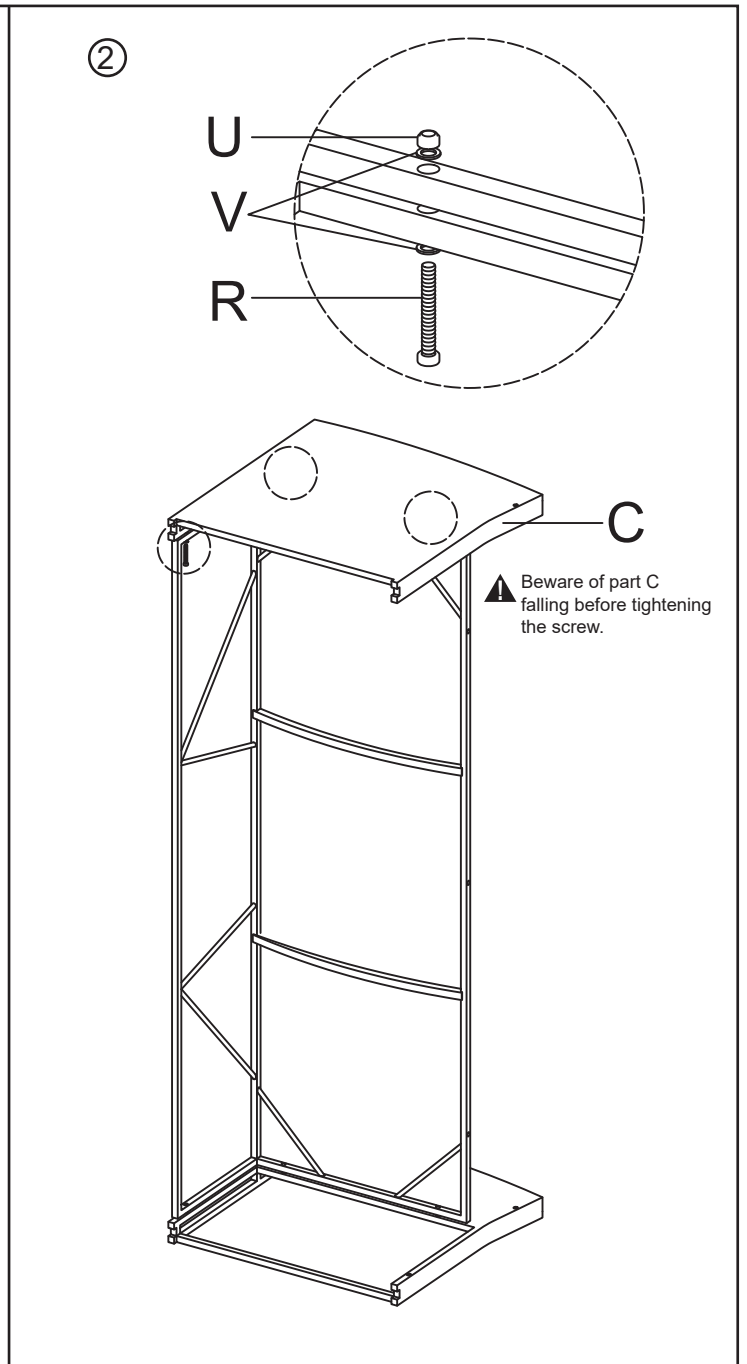
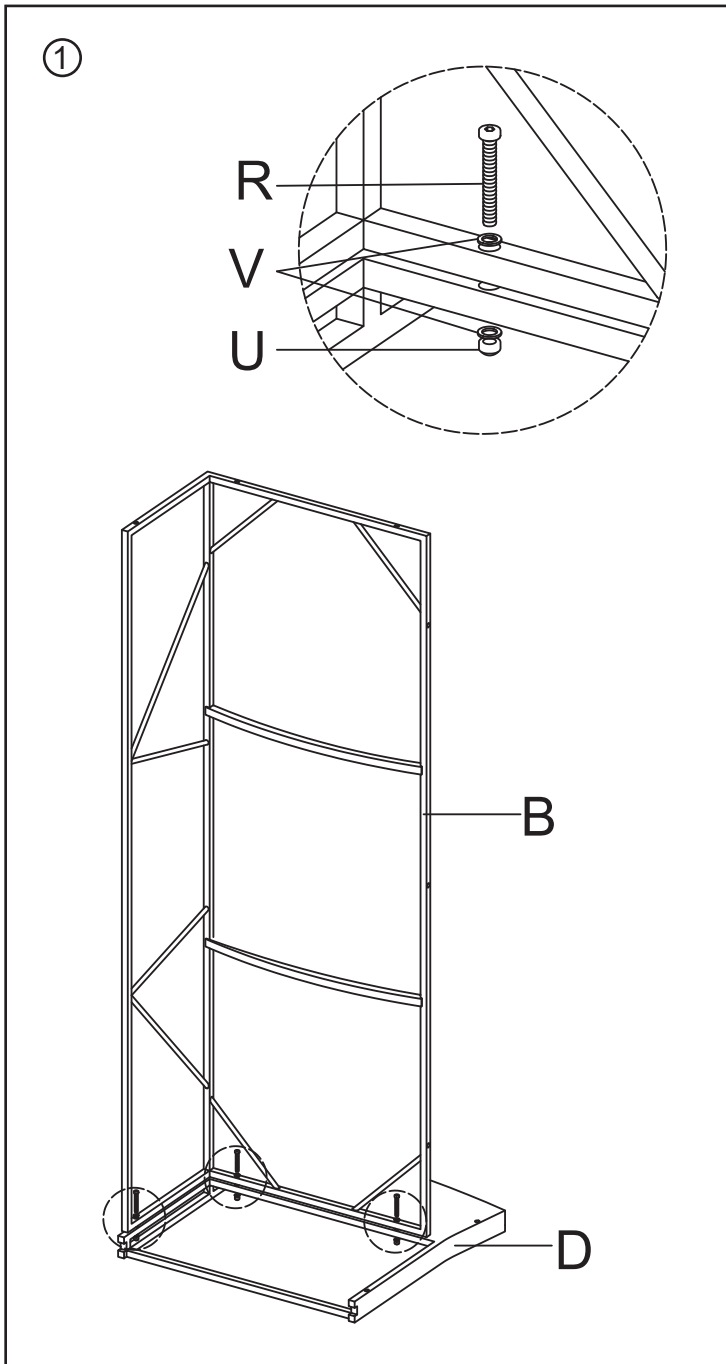


Sofax1

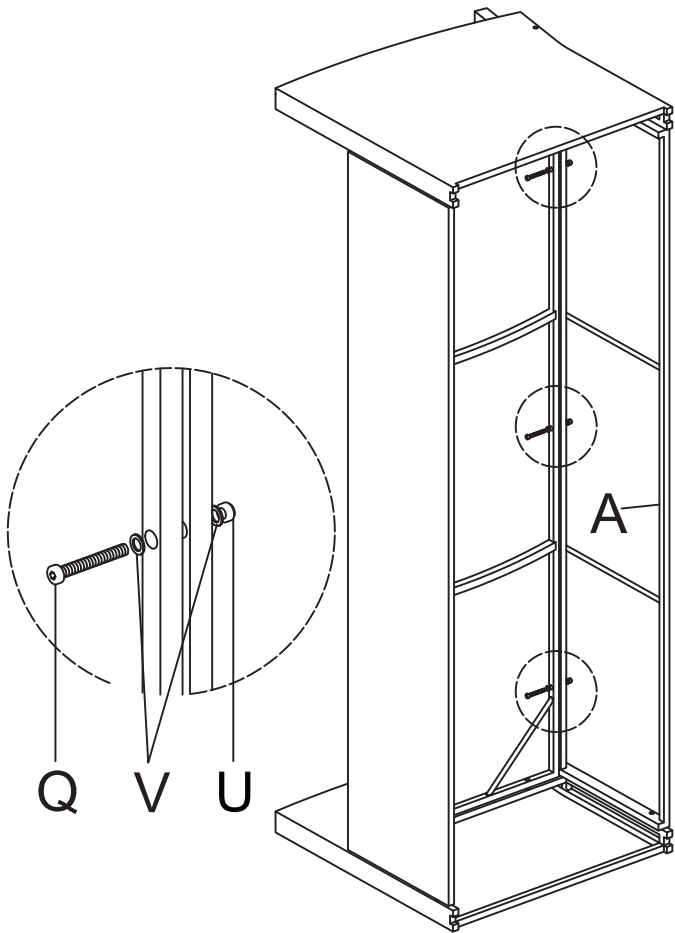


A	 sofa seat panel	1
B	 sofa backrest	1
C	 left armrest	1
D	 right armrest	1
N	 back cushion	3

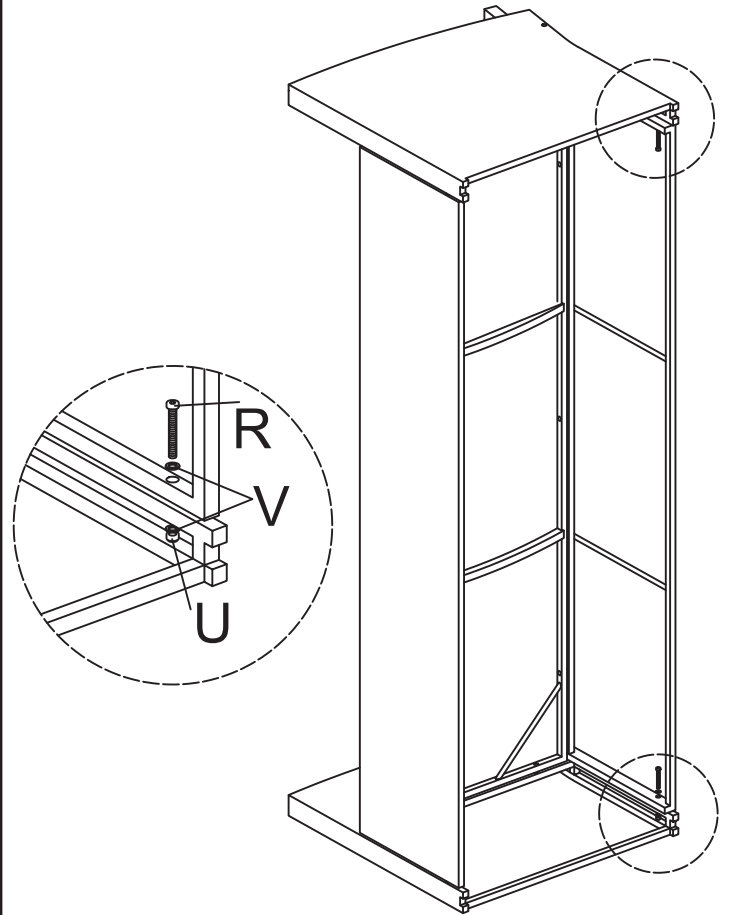
L	 sofa seat cushion	1
P	 screw M6X70	2
Q	 screw M6X60	3
R	 screw M6X50	8
U	 nut	11
V	 washer	24
W	 allen key	1
X	 wrench	1



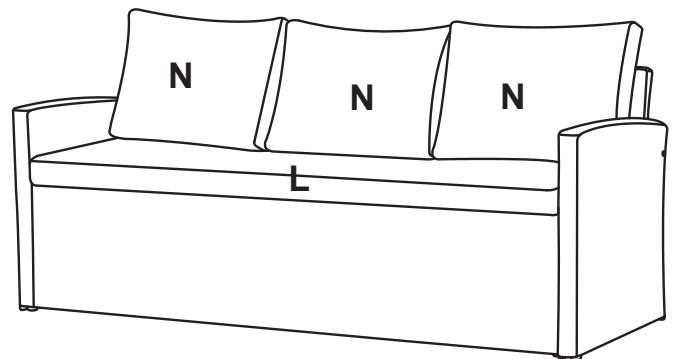
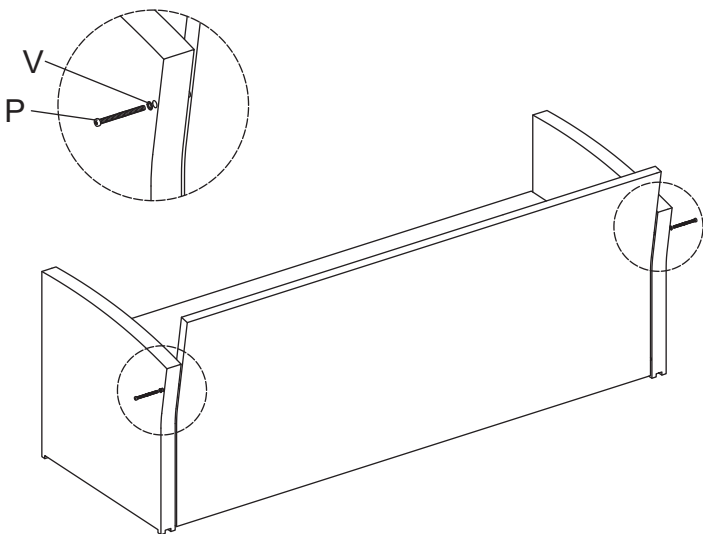
③



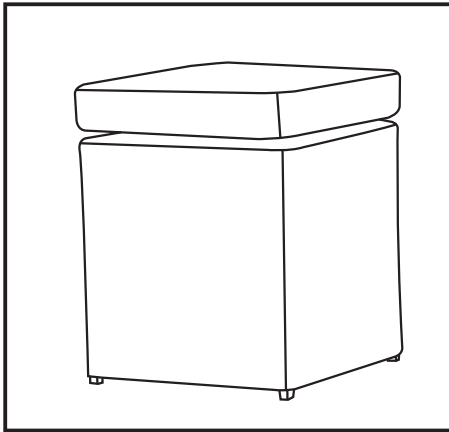
④

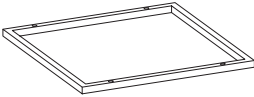
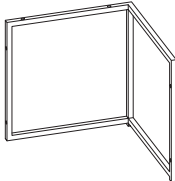



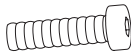


⑤



stoolx2



G	 stool top	2
H	 side panel	4

O	 stool cushion	2
S	 screw M6X32	16
V	 washer M6	16
W	 allen key	

①

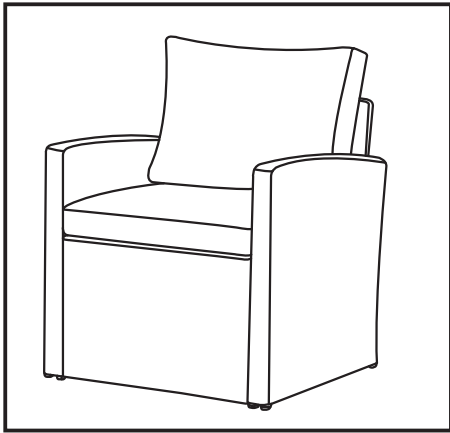
②

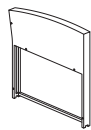
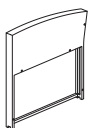
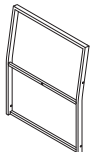
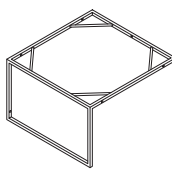
③









! If the screws in step 3 cannot be installed smoothly, please tighten the screws in step 2 first.

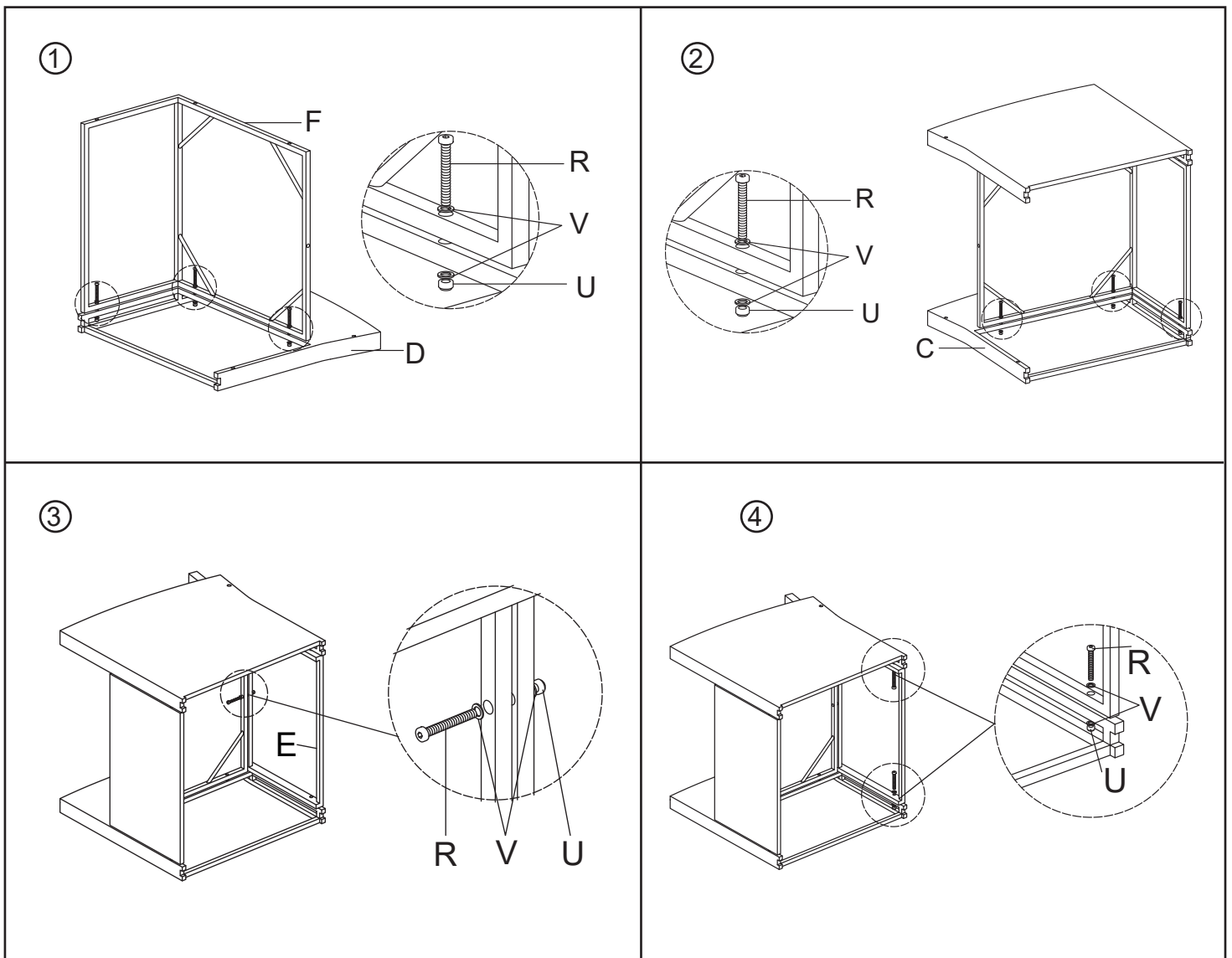
④

chairx2

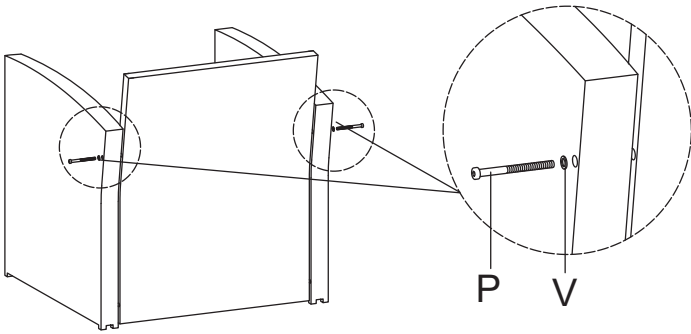


C	 left armrest	2
D	 right armrest	2
E	 backrest	2
F	 seat base	2

N	 back cushion	2
M	 armchair seat cushion	2
P	 screw M6X70	4
R	 screw M6X50	18
U	 hex nut	18
V	 washer	40
W	 allen key	
X	 wrench	



⑤



⑥

