

Clicker Stopper Drain Assembly

EASTMAN[®]

TECHNICAL DATA



DESCRIPTION:

- 1-1/2" x 11.5 Coarse Threading

CONSTRUCTION:

- Chrome-plated zinc

FINISH:

Chrome or Brushed Nickel

PACKAGING: Bag

BRAND: EASTMAN

PART#

35343

35344

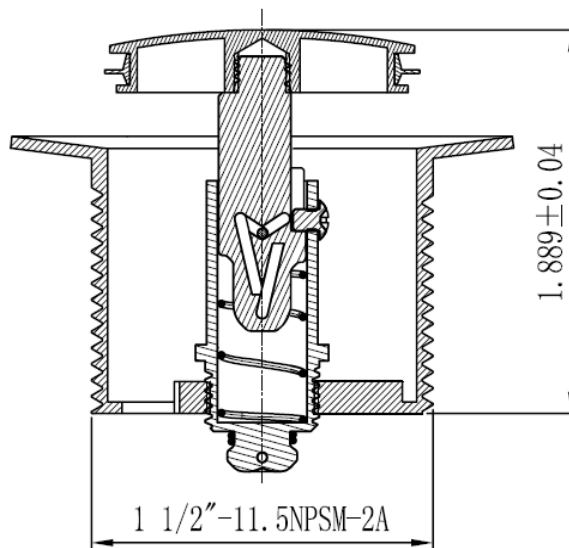
FINISH

Chrome

Brushed Nickel

Country of origin: China

ROUGH IN DRAWING



ALL DIMENSIONS SHOWN ARE NOMINAL