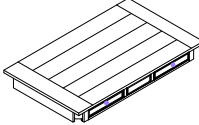
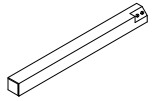




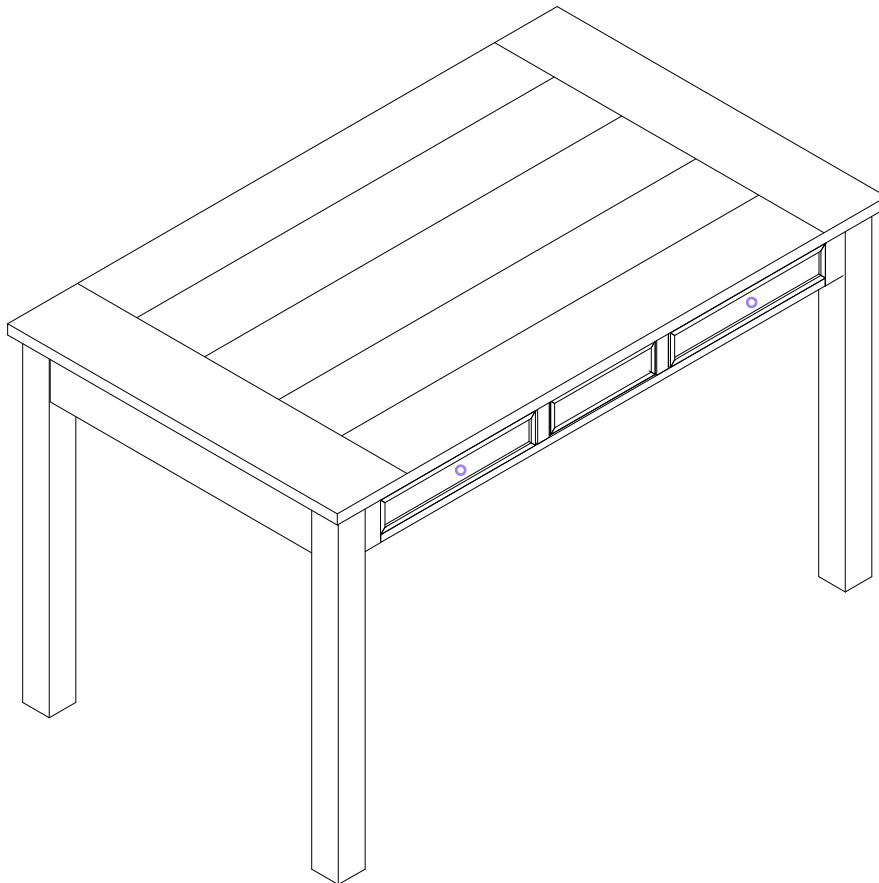


ASSEMBLY INSTRUCTIONS

5088-54X COUNTER HEIGH TABLE PART LIST

PART	DRAWING	DESCRIPTION	QTY
A		TABLE TOP	1
B		LEGS	4

PART	DRAWING	DESCRIPTION	QTY
H1		BOLT (Ø5/16" *65 MM)	8
H2		SPRING WASHER (Ø5/16")	8
H3		FLAT WASHER (Ø5/16")	8
H4		ALLEN KEY (M4)	1



COMPLETED COUNTER HEIGH TABLE ASSEMBLY



United Wood Products, Inc. Customer Service Contact Information:

Toll Free Phone Number: 1-844-771-2727

Email: consumercare@ufifurniture.com

Website: www.lanefurniture.com

PLEASE NOTE: With use, screw may become loose & must be tightened periodically.

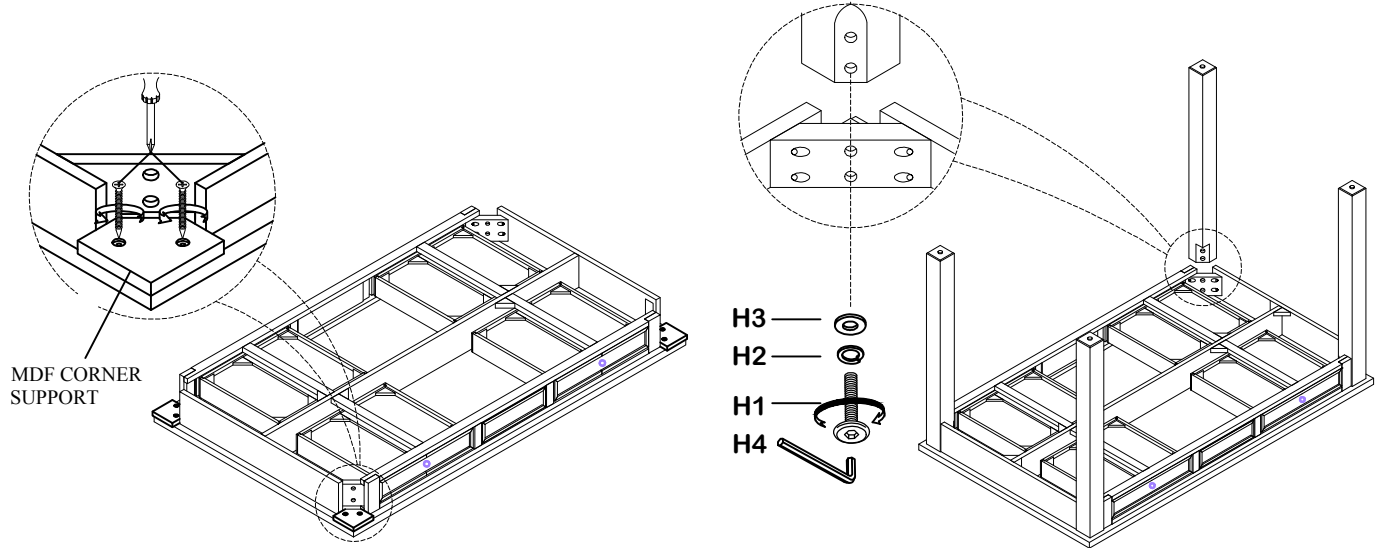
MADE IN VIET NAM

ASSEMBLY INSTRUCTIONS

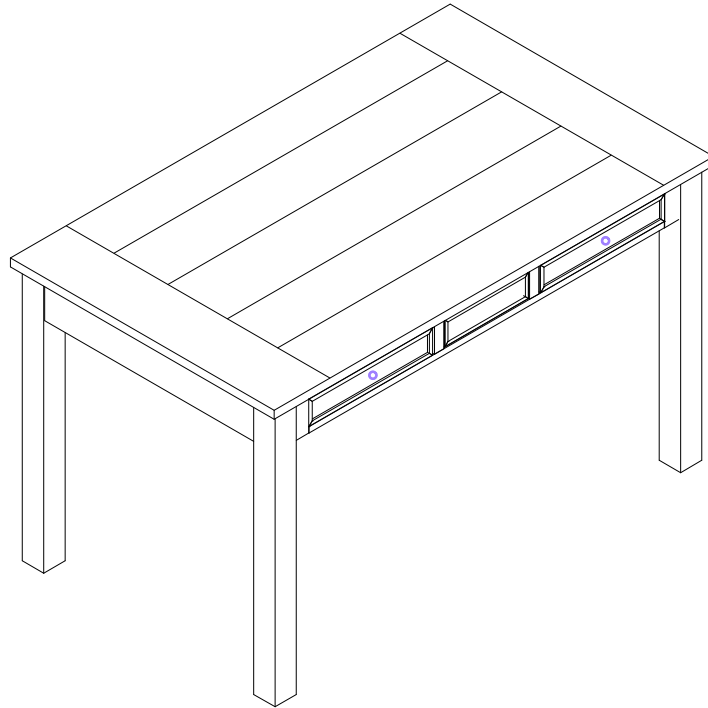
STEP 1

Important:

1. Please lay the table on a clean, soft surface to assemble.
2. Do not overtighten screws/ bolts until assembly is completed.



STEP 2



United Wood Products, Inc. Customer Service Contact Information:

Toll Free Phone Number: 1-844-771-2727

Email: consumercare@ufifurniture.com

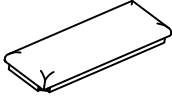
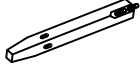
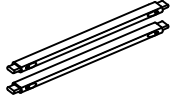
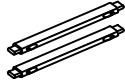
Website: www.lanefurniture.com




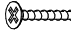

PLEASE NOTE: With use, screw may become loose & must be tightened periodically.

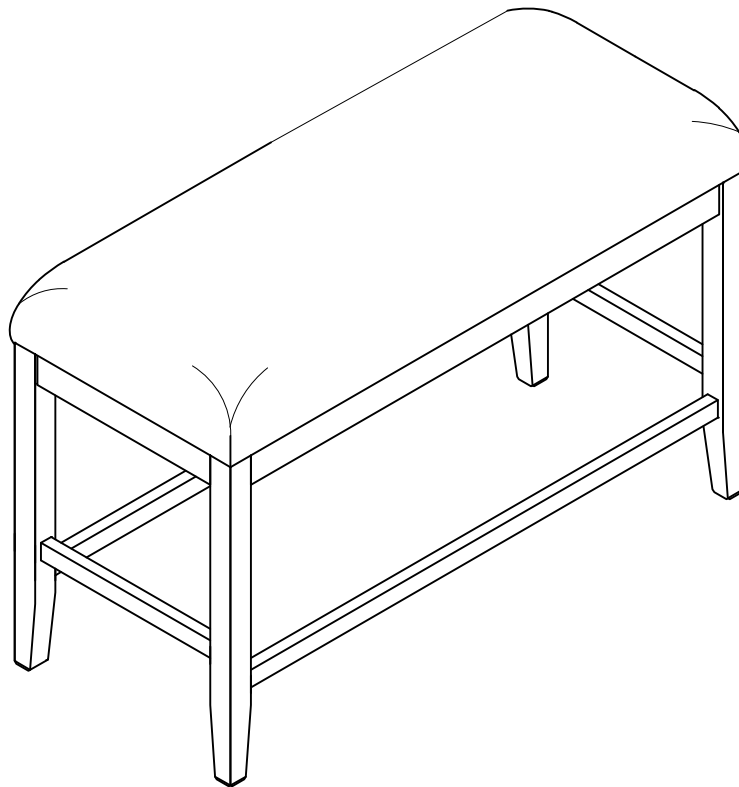
MADE IN VIET NAM

ASSEMBLY INSTRUCTIONS

5088-54X COUNTER HEIGH BENCH PART LIST

PART	DRAWING	DESCRIPTION	QTY
A		BENCH TOP	1
B		LEGS	4
C		LONG STRETCHERS	2
D		SHORT STRETCHERS	2

PART	DRAWING	DESCRIPTION	QTY
H1		HEX NUT $\phi 5/16"$	8
H2		LOCK WASHER $\phi 5/16" * 11\text{mm}$	8
H3		FLAT WASHER $\phi 5/16" * 19\text{mm}$	8
H4		WOOD SCREW $\phi 4" * 38\text{mm}$	8
H5		OPEN WRENCH 12mm	1



COMPLETED COUNTER HEIGH BENCH ASSEMBLY



United Wood Products, Inc. Customer Service Contact Information:
Toll Free Phone Number: 1-844-771-2727
Email: consumercare@ufifurniture.com
Website: www.lanefurniture.com
PLEASE NOTE: With use, screw may become loose & must be tightened periodically.

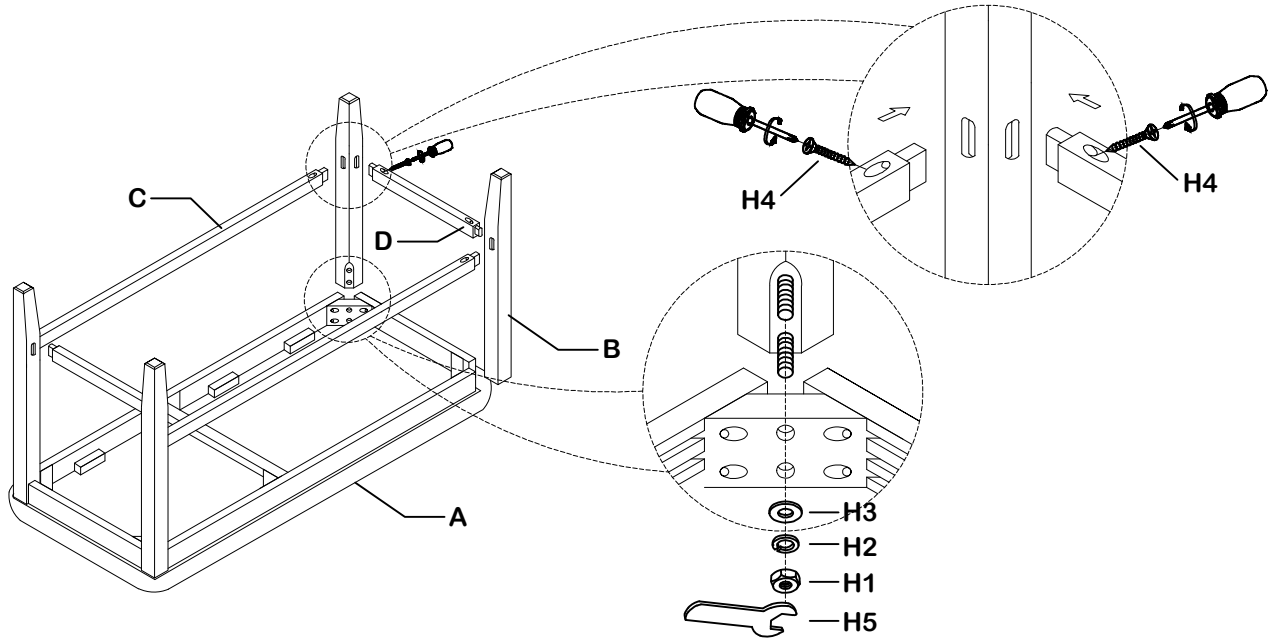
MADE IN VIET NAM

ASSEMBLY INSTRUCTIONS

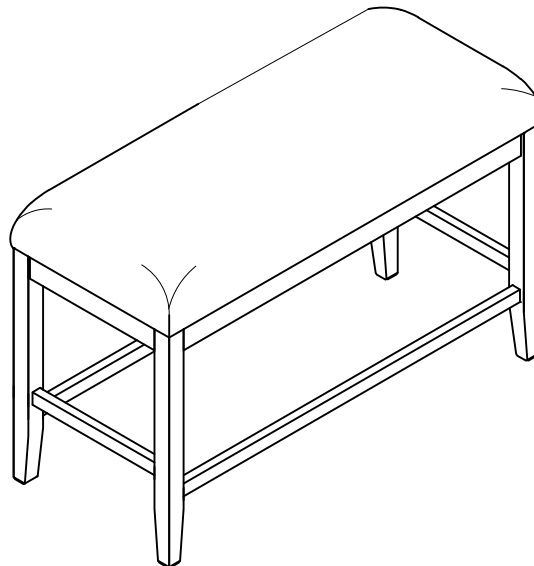
STEP 1

Important:

1. Please lay the Bench on a clean, soft surface to assemble.
2. Do not overtighten screws/ bolts until assembly is completed.



STEP 2



United Wood Products, Inc. Customer Service Contact Information:

Toll Free Phone Number: 1-844-771-2727

Email: consumercare@ufifurniture.com

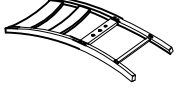
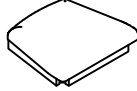
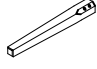


Website: www.lanefurniture.com

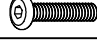




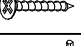


PLEASE NOTE: With use, screw may become loose & must be tightened periodically.

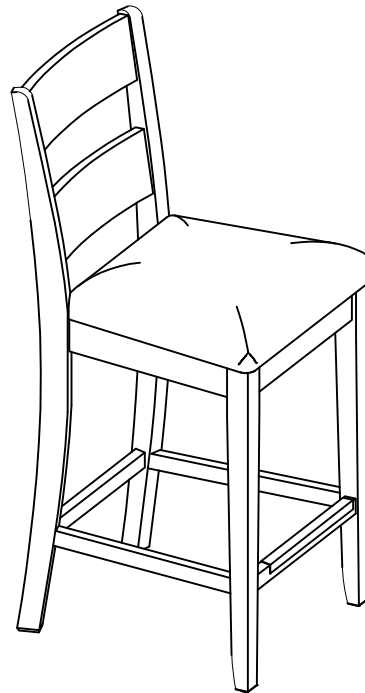
MADE IN VIET NAM

ASSEMBLY INSTRUCTIONS

5088-54X COUNTER HEIGH CHAIR PART LIST

PART	DRAWING	DESCRIPTION	QTY
A		CHAIR BACK	1
B		SEAT CUSHION	1
C		FRONT LEGS	2
D		FRONT STRETCHER	1
E		SIDE STRETCHER R/L	2

PART	DRAWING	DESCRIPTION	QTY
H1		ALLEN BOLT $\phi 5/16"$ x 38 MM	2
H2		ALLEN BOLT $\phi 5/16"$ x 75 MM	4
H3		HEX NUT $\phi 5/16"$	4
H4		LOCK WASHER $\phi 5/16"$	10
H5		FLAT WASHER $\phi 5/16"$ x 19 MM	10
H6		WOOD SCREW M4 x 38 MM	6
H7		ALLEN KEY 4 MM	1
H8		OPEN WRENCH 12 MM	1



COMPLETED COUNTER HEIGH CHAIR ASSEMBLY



United Wood Products, Inc. Customer Service Contact Information:

Toll Free Phone Number: 1-844-771-2727

Email: consumercare@ufifurniture.com

Website: www.lanefurniture.com

PLEASE NOTE: With use, screw may become loose & must be tightened periodically.

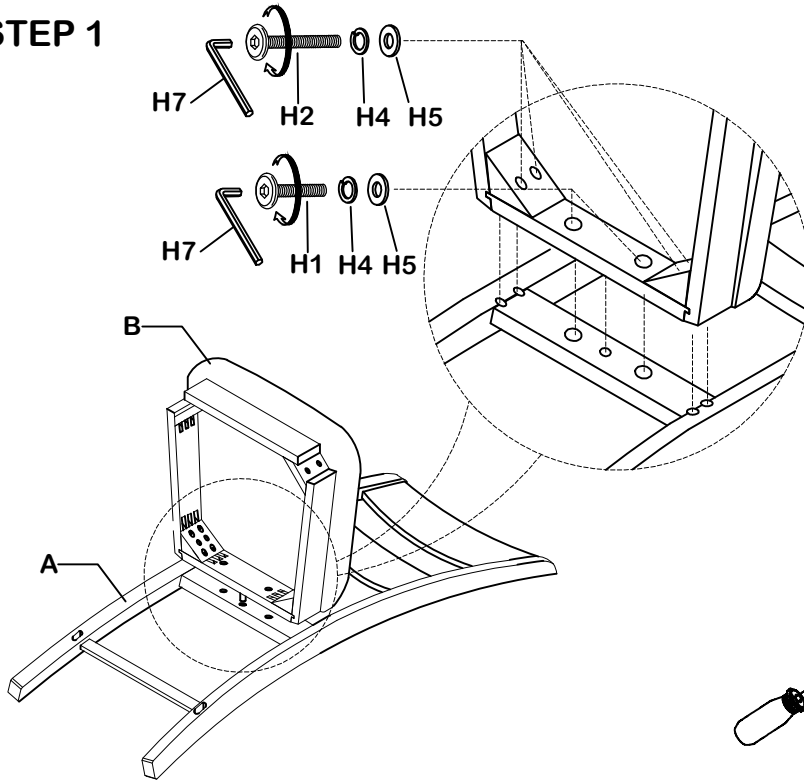
MADE IN VIET NAM

ASSEMBLY INSTRUCTIONS

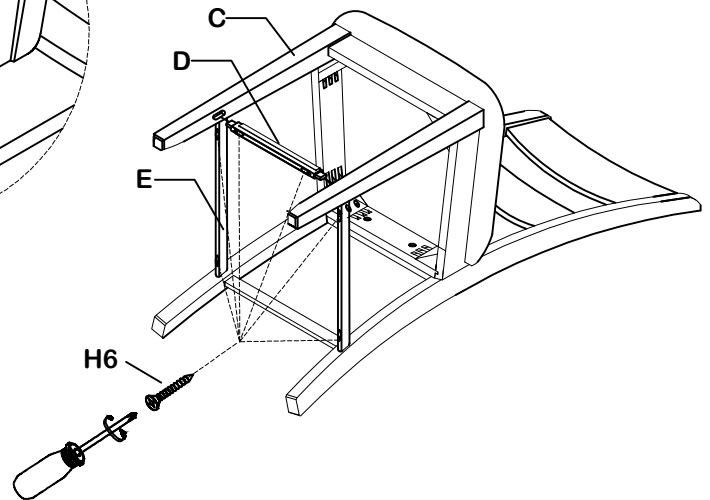
Important:

1. Please lay the Chair on a clean, soft surface to assemble.
2. Do not overtighten screws/ bolts until assembly is completed.

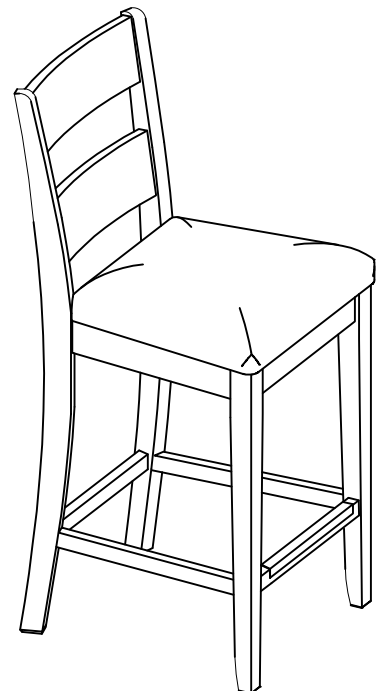
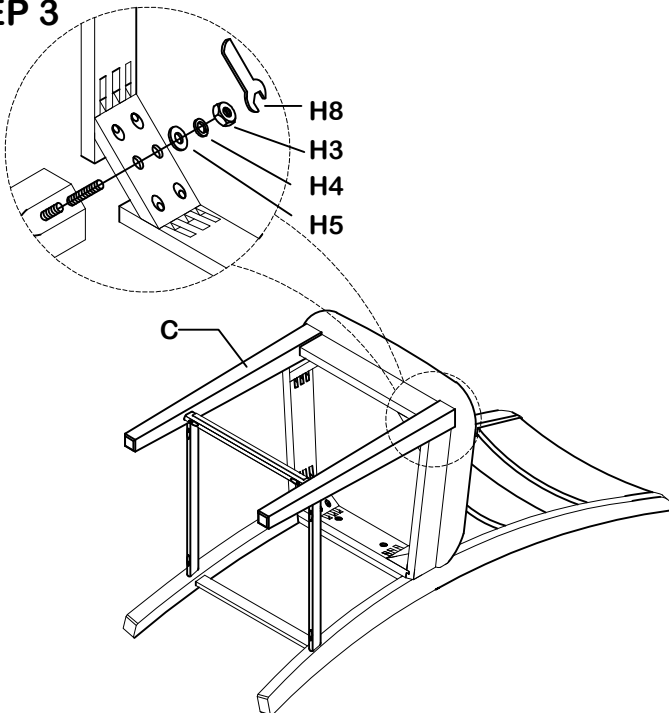
STEP 1



STEP 2



STEP 3



United Wood Products, Inc. Customer Service Contact Information:

Toll Free Phone Number: 1-844-771-2727

Email: consumercare@ufifurniture.com

Website: www.lanefurniture.com

PLEASE NOTE: With use, screw may become loose & must be tightened periodically.

MADE IN VIET NAM