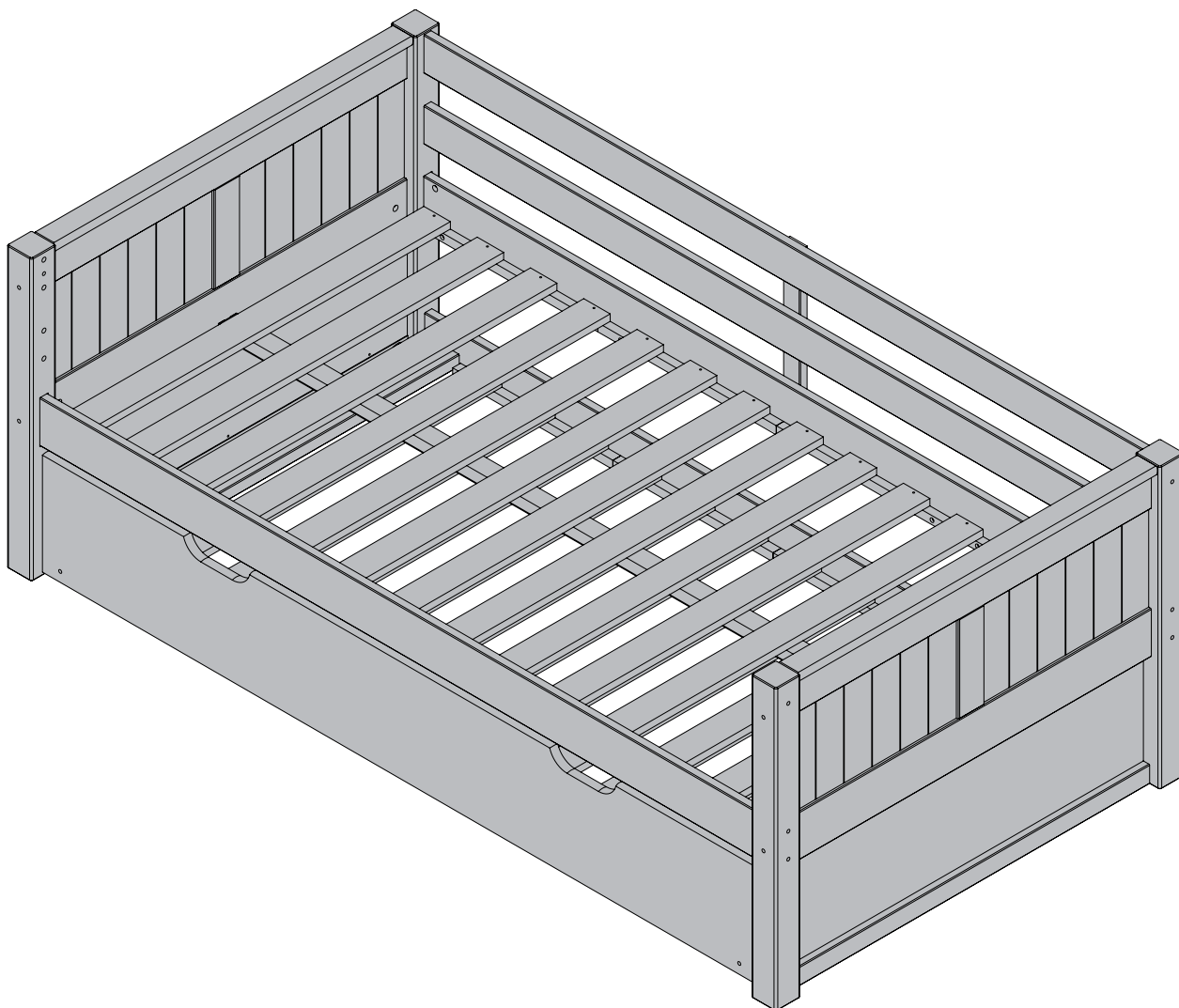


Day Bed Twin Size - Panel - With Trundle



Assembly
02 people



Time
1:30 hours approximately

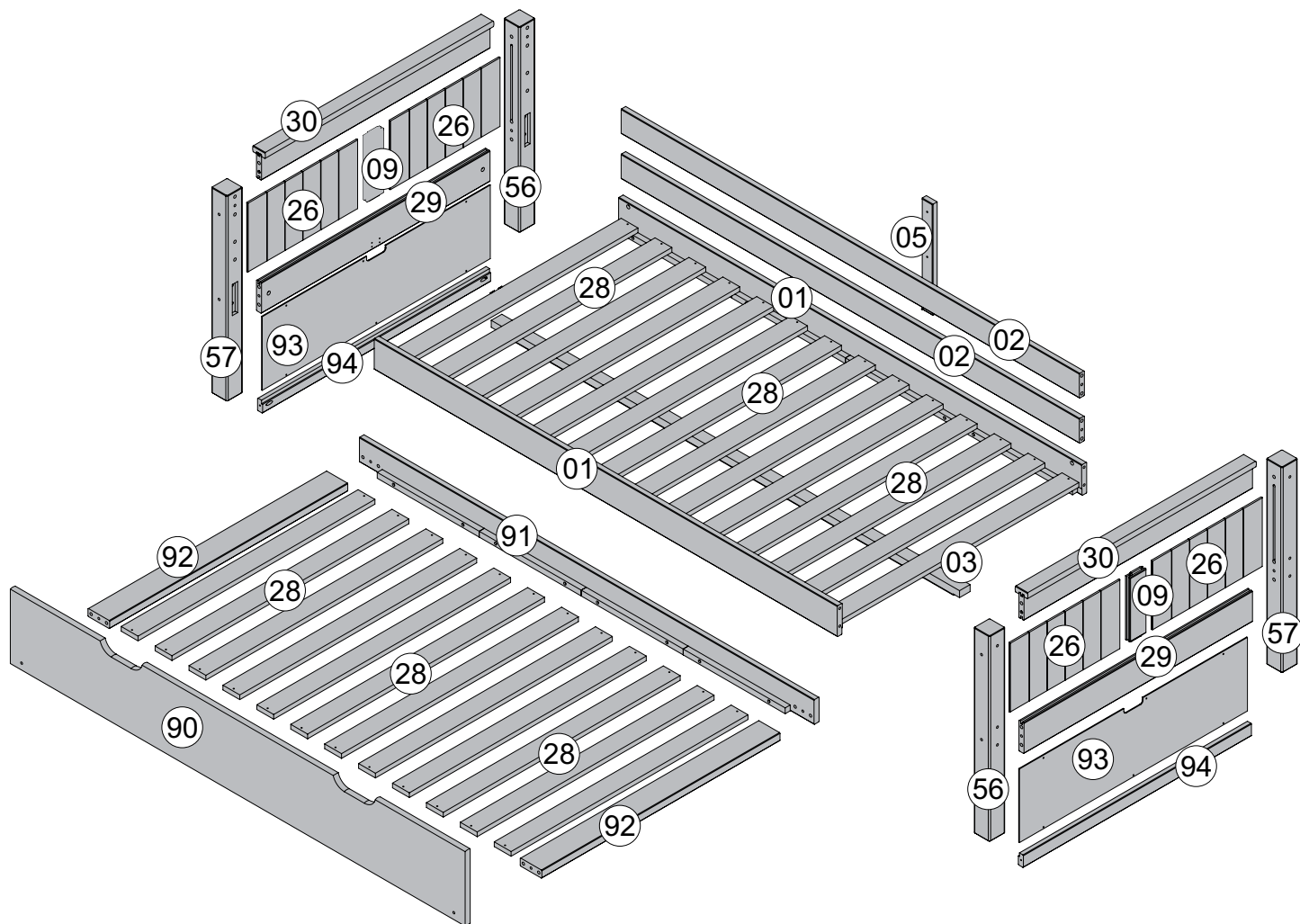


Tools
philips key, rubber hammer



Volume quantity
01 boxes

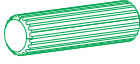
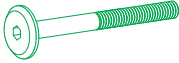



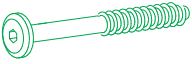
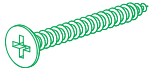



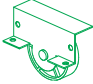


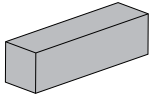
Parts list for assembly. Please confirm all parts available before assembly

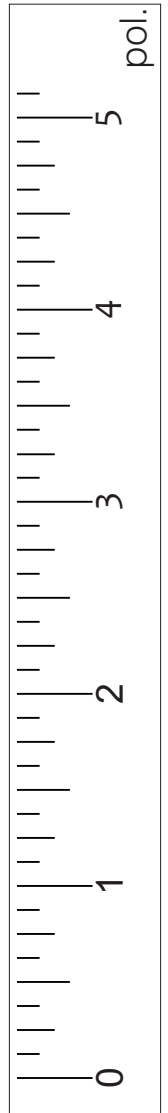


ATTENTION

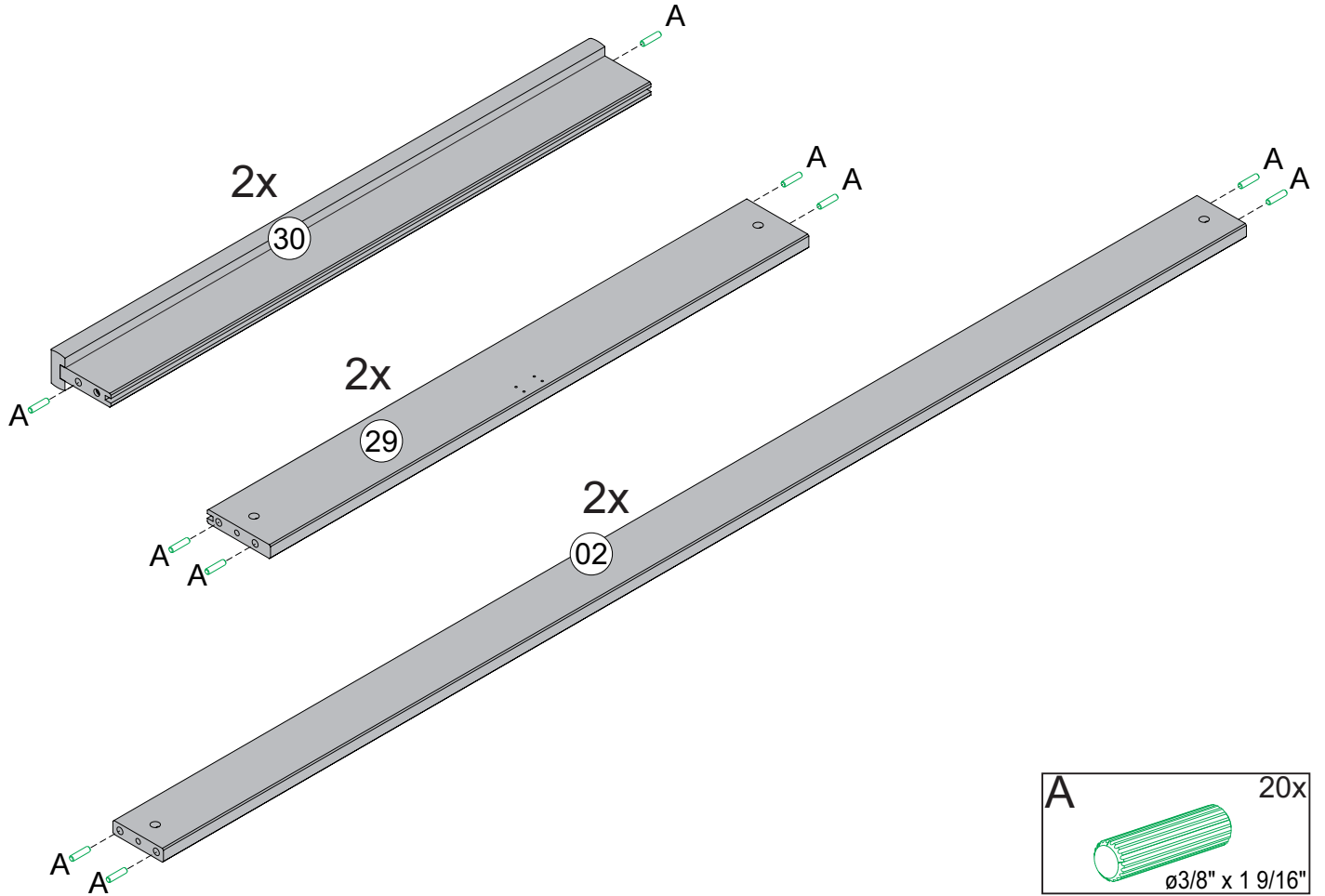
- * Read and observe carefully all the assembly instructions before beginning assembly.
- * The assembly of the product must be done on a clean and flat surface. We suggest to use the packaging to cover the floor to avoid damages.
- * The screws must be tightened periodically.
- * Avoid contact with sharp objects.
- * Avoid banging pieces together.

Hardware list for assembly.
Please confirm all hardware available before assembly

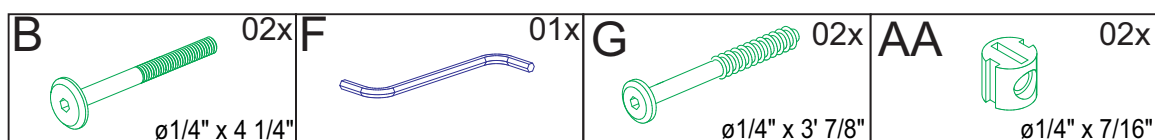
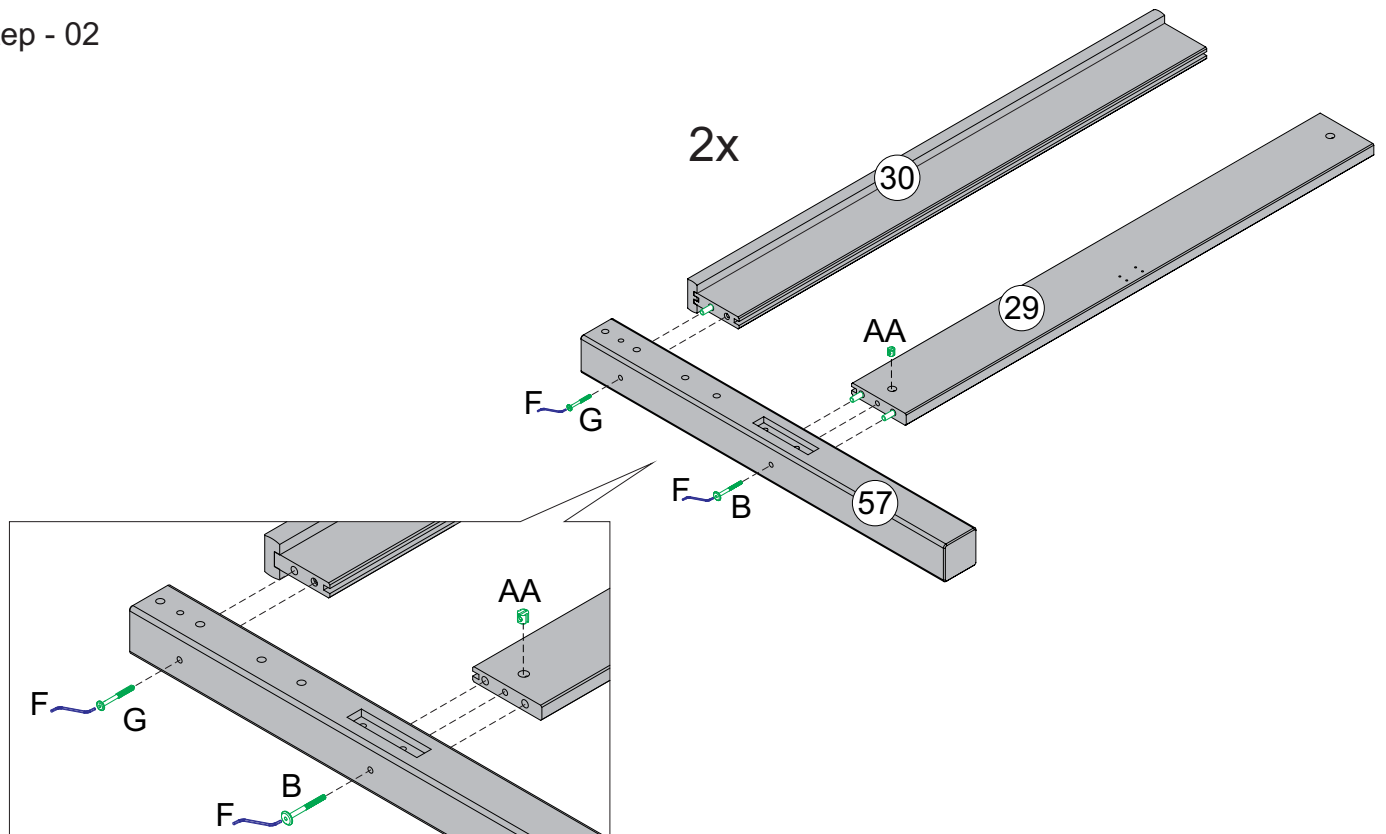
				SPARE
A		$\varnothing 3/8" \times 1' 9/16"$	28x	+ 02x
B		$\varnothing 1/4" \times 4' 1/4"$	14x	+ 01x
D		$\varnothing 5/16"$	04x	+ 01x
E		$\varnothing 3/8"$	08x	+ 01x
F			01x	+ 01x
G		$\varnothing 1/4" \times 3' 7/8"$	04x	
I		$\varnothing 1/8" \times 1' 3/8"$	59x	+ 04x
J			02x	
K		$\varnothing 1/4" \times 3' 1/8"$	04x	01x
M		$\varnothing 1/8" \times 3/4"$	40x	+ 03x
Y		$1' 15/16"$	04x	
AA		$\varnothing 1/4" \times 7/16"$	14x	+ 02x
BC		$1/4"$	04x	+ 01x
BH		$2' 3/4"$	02x	



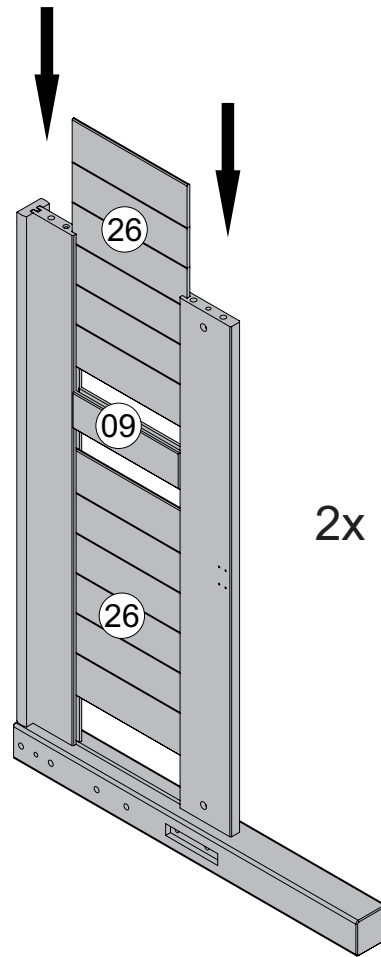
Step - 01



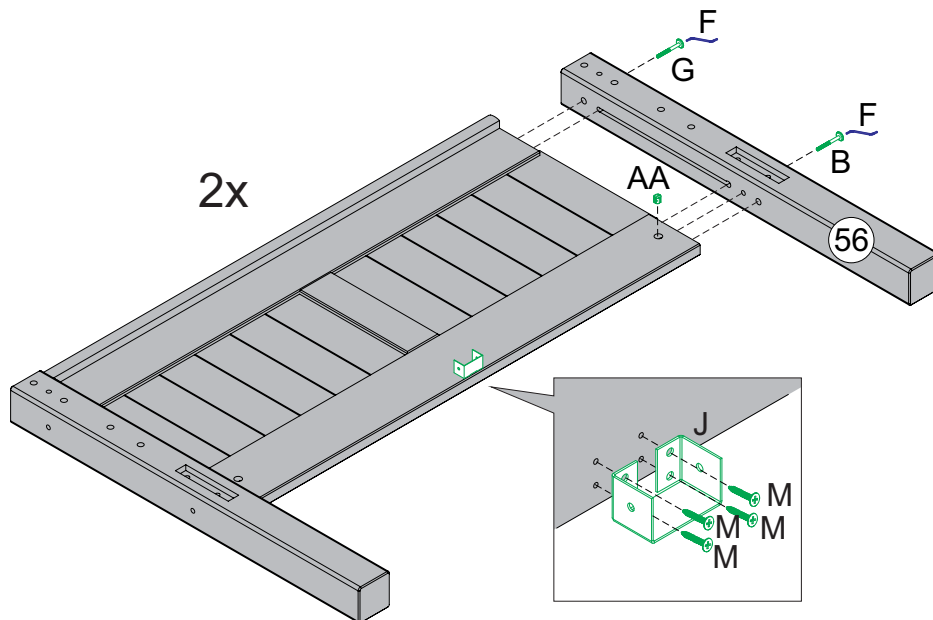
Step - 02

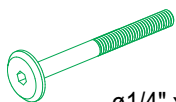

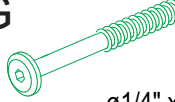





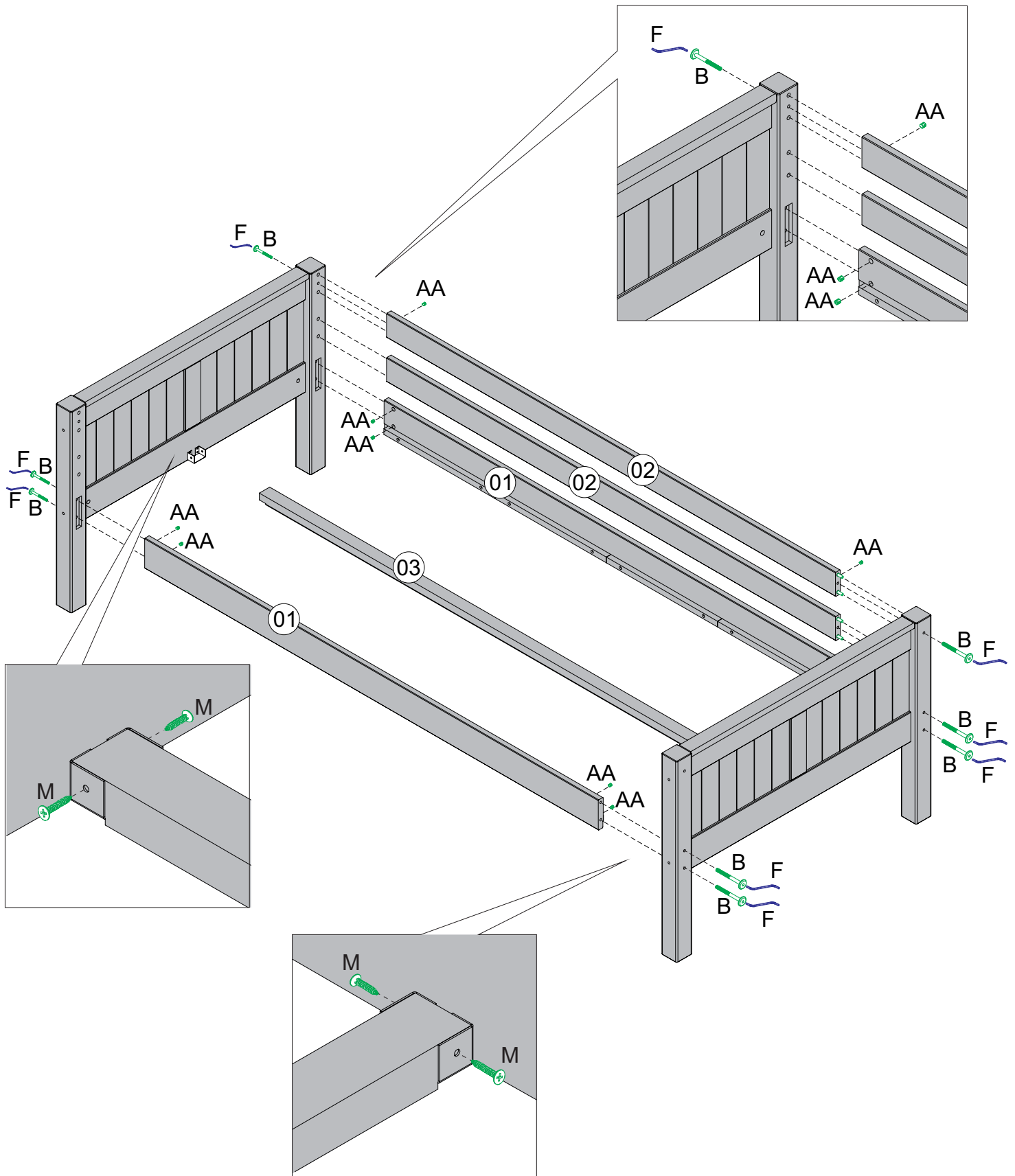
Step - 03

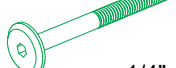





Step - 04

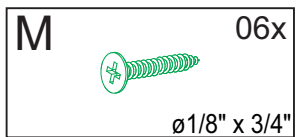
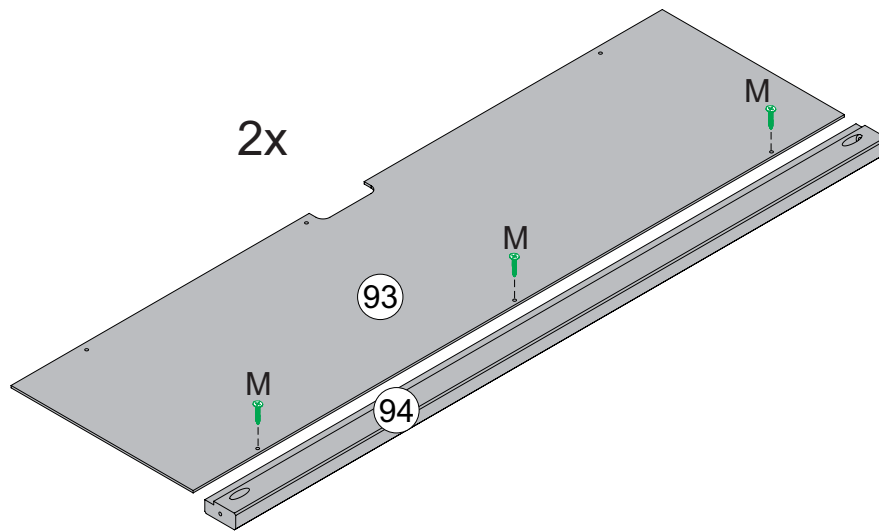


B  02x $\varnothing 1/4" \times 4 1/4"$	F  01x	G  02x $\varnothing 1/4" \times 3 7/8"$
J  02x	M  08x $\varnothing 1/8" \times 3/4"$	AA  02x $\varnothing 1/4" \times 7/16"$

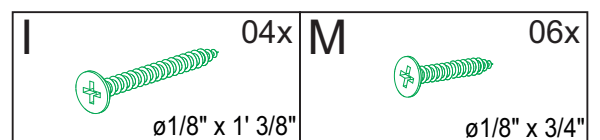
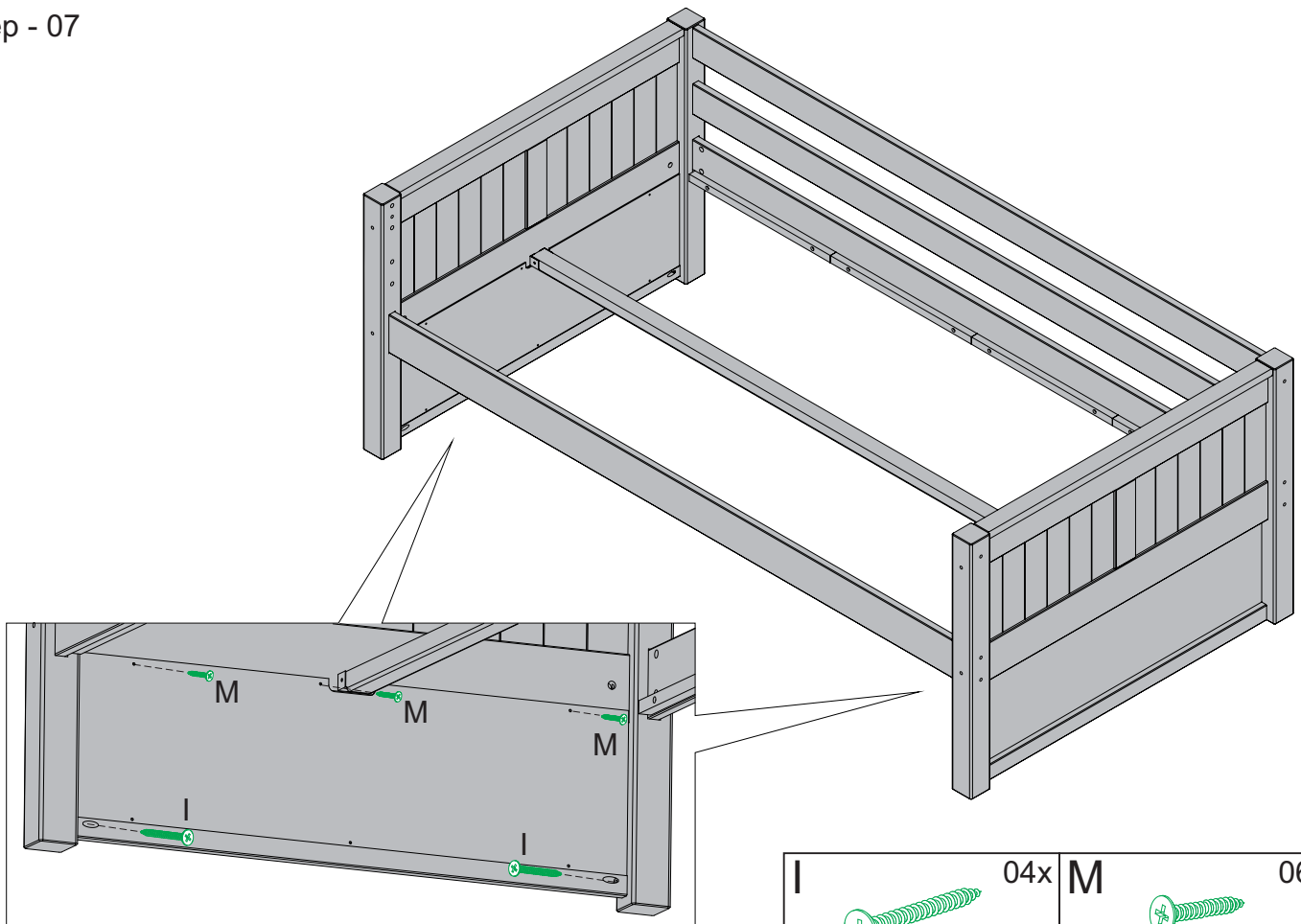


B  10x $\phi 1/4" \times 4 1/4"$	F  01x 	M  04x $\phi 1/8" \times 3/4"$	AA  10x $\phi 1/4" \times 7/16"$
---	--	---	---

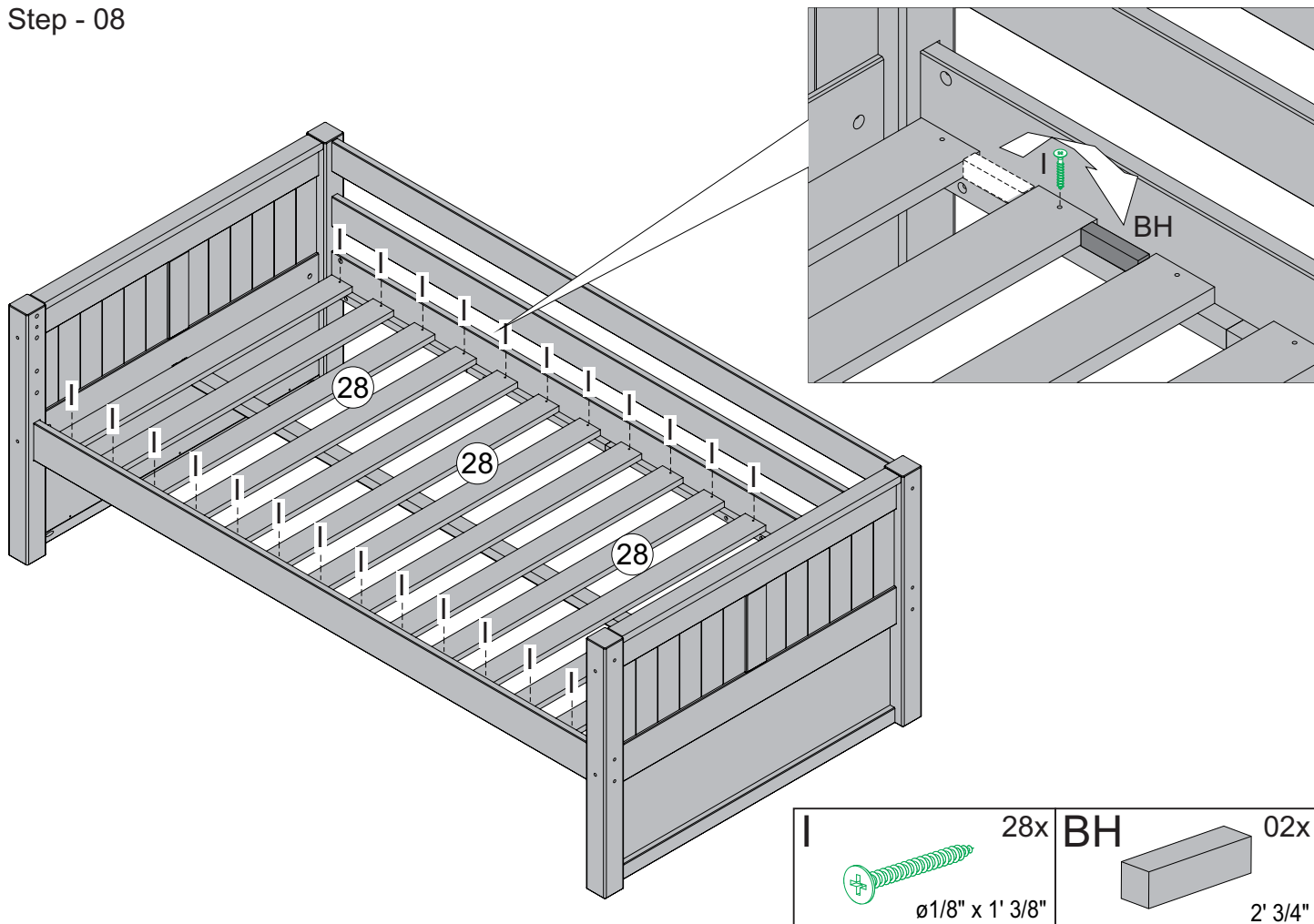
Step - 06



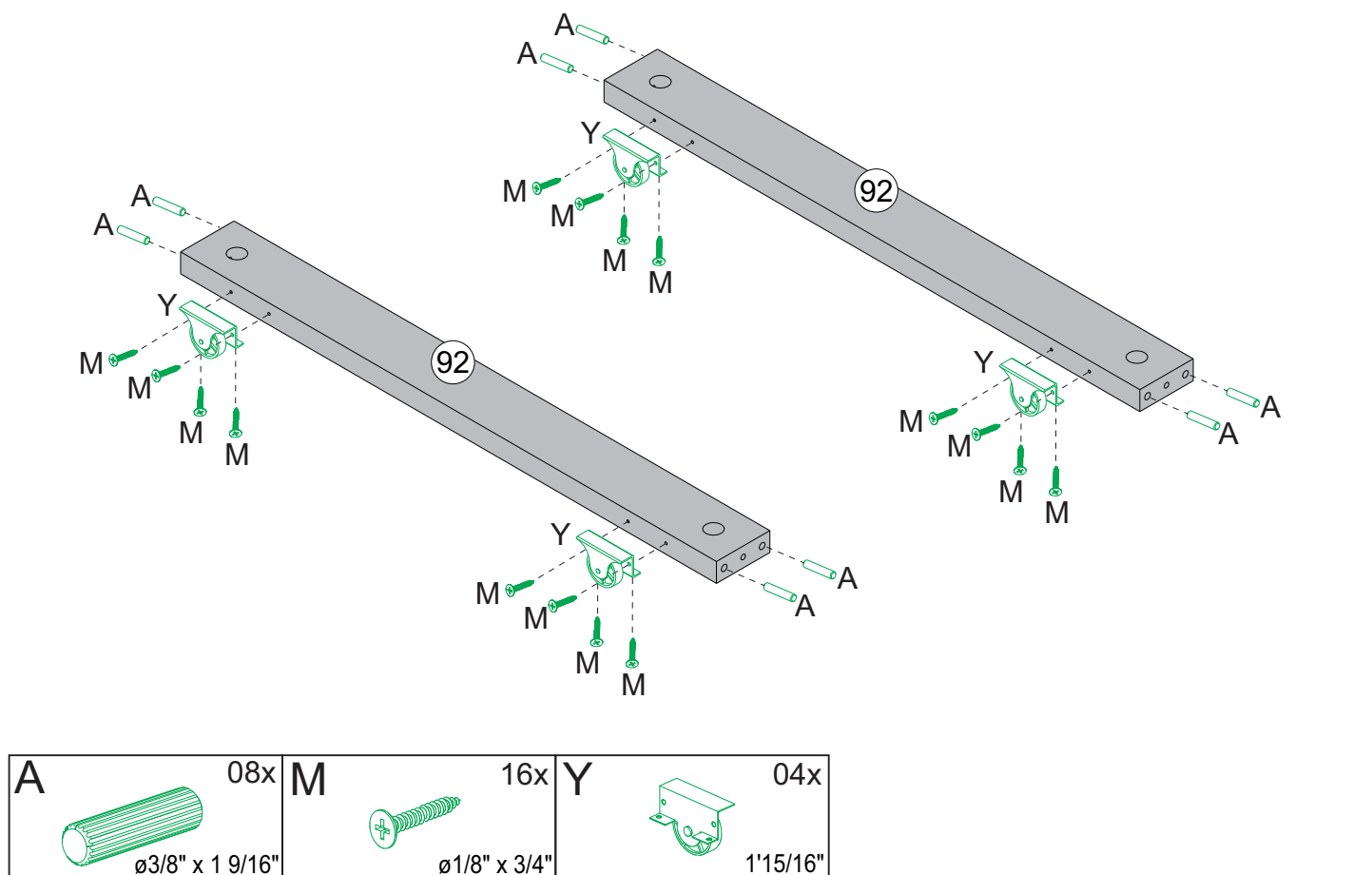
Step - 07



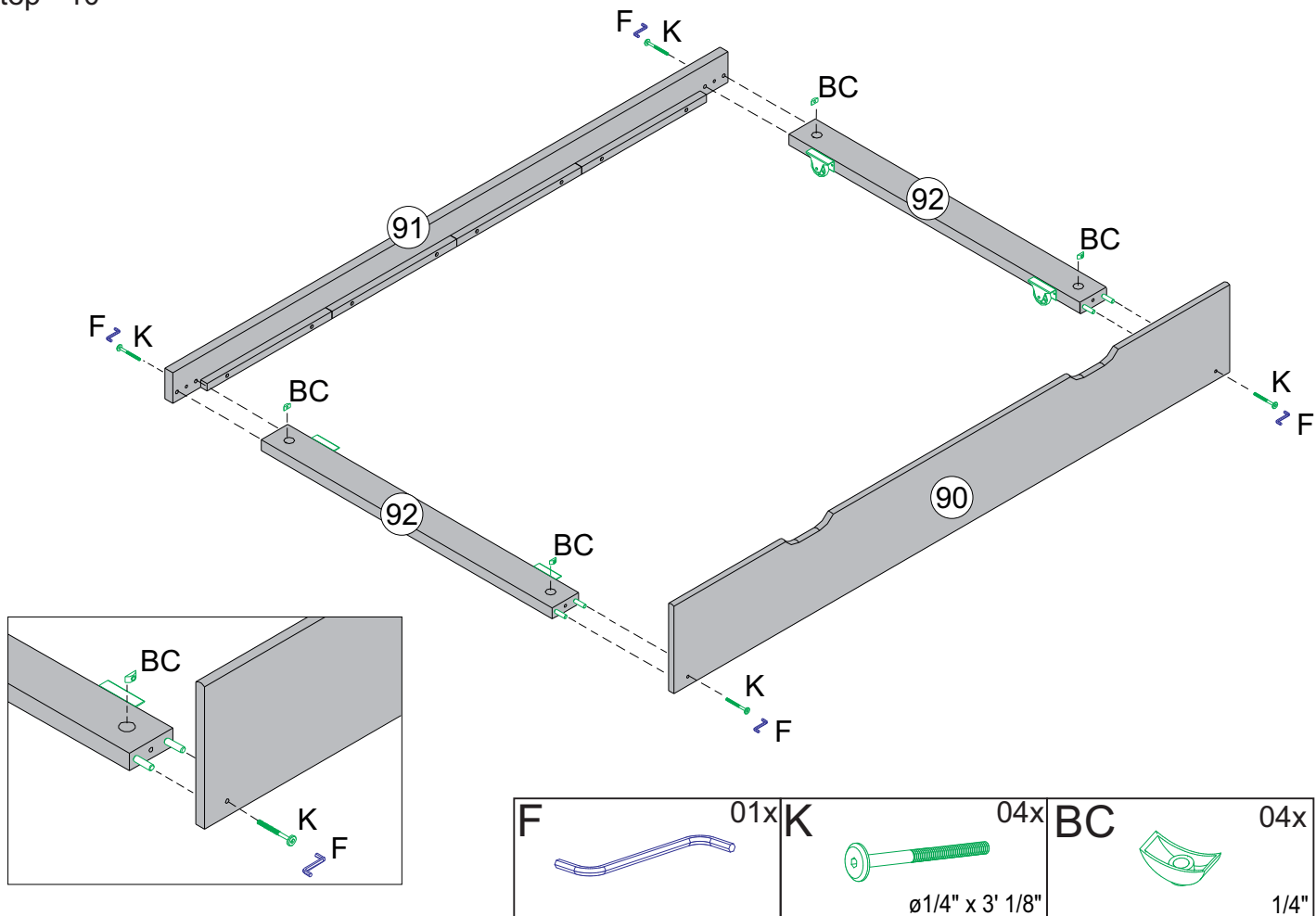
Step - 08



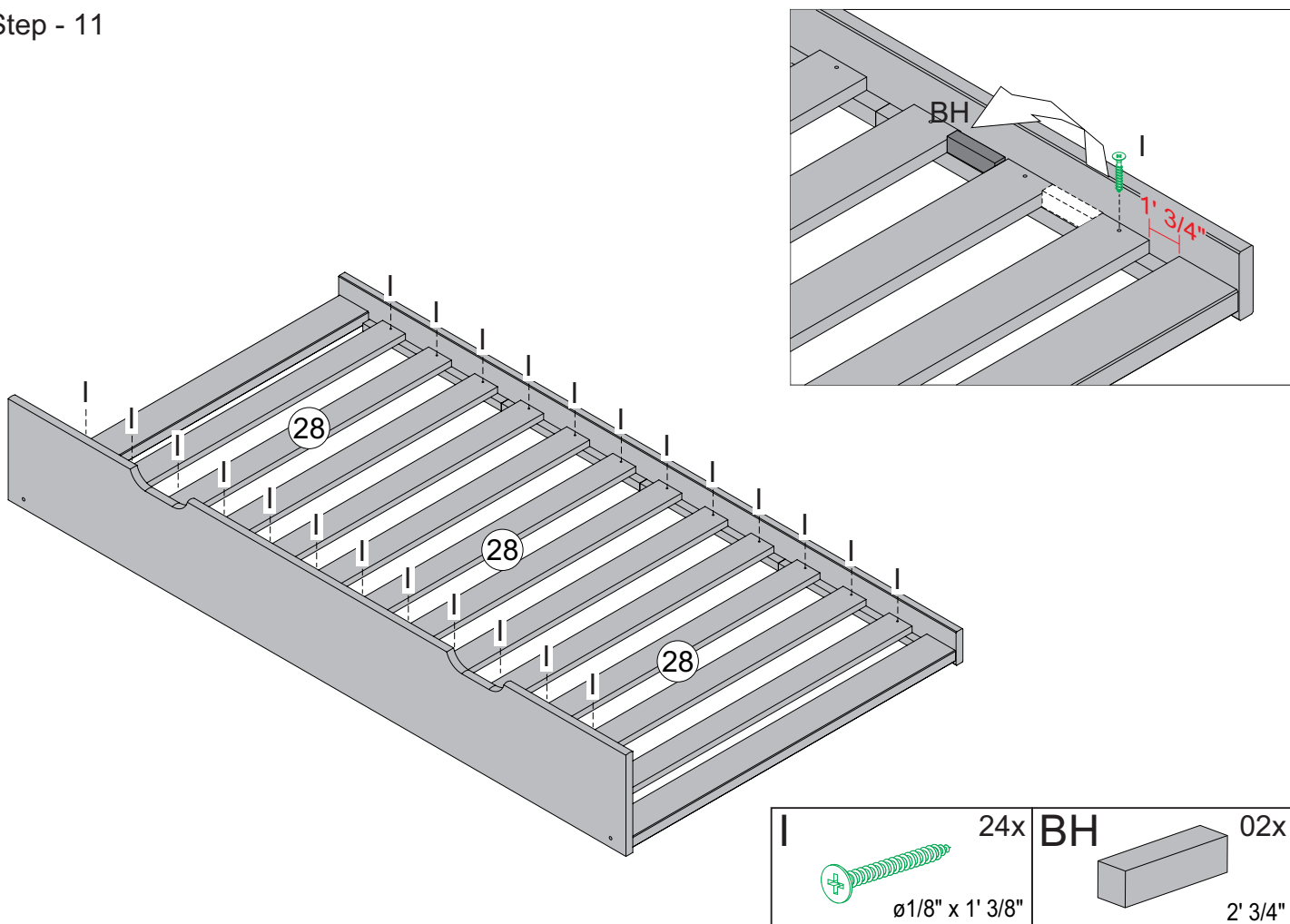
Step - 09



Step - 10



Step - 11



Step - 12

