

Features

- Stainless steel construction.
- Two quarter-turn washerless ceramic disc valves.
- 7" (178 mm) gooseneck swing spout reach.
- Lever handles.
- Lower flow aerator options available (refer to the Kohler Price Book).
- 2.2 gal/min (8.3 l/min) maximum flow rate [max at 60 psi (4.14 bar)].

Recommended Accessories

K-7344-4 Independent Sidespray
K-7346



ADA

Codes/Standards

ASME A112.18.1/CSA B125.1

NSF 61

NSF 372

DOE - Energy Policy Act 1992

ADA

ICC/ANSI A117.1

All applicable US Federal and State material regulations

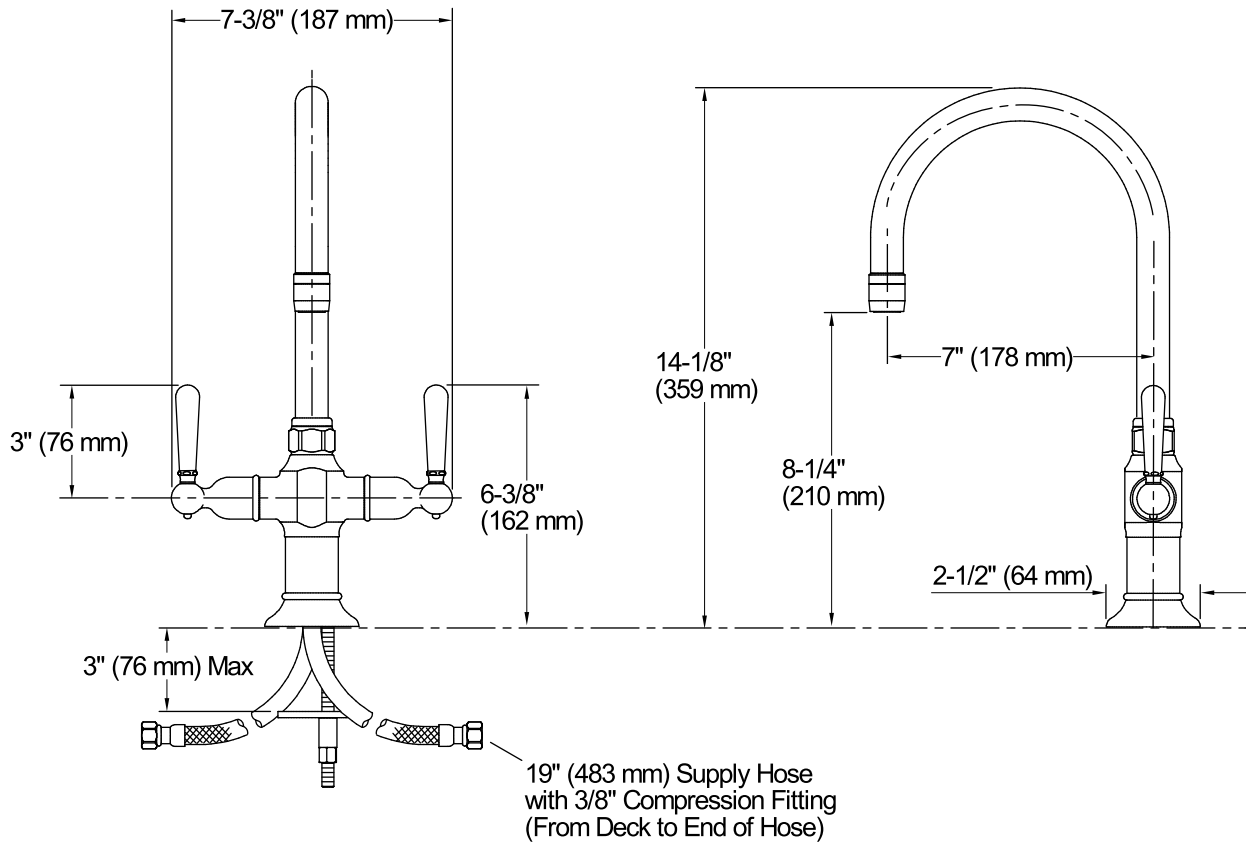
KOHLER® Faucet Lifetime Limited Warranty

See website for detailed warranty information.

Available Color/Finishes

Color tiles intended for reference only.

Color	Code	Description
	BS	Brushed Stainless
	S	Polished Stainless



Technical Information

All product dimensions are nominal.

Spout reach: 7" (178 mm)

Faucet:

Flow rate: 2.2 gal/min (8.3 l/min)

Pressure: 60 psi (4.1 bar)

Notes

Install this product according to the installation guide.

ADA compliant when installed to the specific requirements of these regulations.