



Owner's Manual

RTHD-431SS

TOUCHLESS AUTOMATIC HAND DRYER



Page en Français 13

Please read and retain these instructions.

USA: www.royalsovereign.com

Canada: www.royalsovereign.ca

TOUCHLESS AUTOMATIC HAND DRYER

Model RTHD-431SS

INTRODUCTION

Thank you for choosing Royal Sovereign Touchless Automatic Hand Dryer. Please read and retain these instructions. This manual will provide you with valuable information necessary for the proper instructions, care and maintenance of your hand dryer. Installation should be done by a qualified electrician. Improper installation, alteration, service and use of this hand dryer can result in serious personal injury or damage to the unit.

If you have questions regarding the installation, use or operation of the hand dryer, please call Royal Sovereign customer service.

Because our products are subject to continuous improvement, Royal Sovereign reserves the right to modify product design and specifications without notice and without incurring any obligation. E&OE

CONTENTS

IMPORTANT SAFETY INFORMATION	4
DESCRIPTION	5
GENERAL USAGE	6
MOUNTING THE UNIT	6
HEATING CONTROL	7
SPEED CONTROL	7
PLUG IN READY OPERATION	8
INSTALLATION INSTRUCTION - STEP 1	8
INSTALLATION INSTRUCTION - STEP 2	9
MAINTENANCE	10
TROUBLESHOOTING	10
SPECIFICATIONS	11
LIMITED three YEAR WARRANTY	12
PAGE EN FRANÇAIS	13

IMPORTANT SAFETY INFORMATION

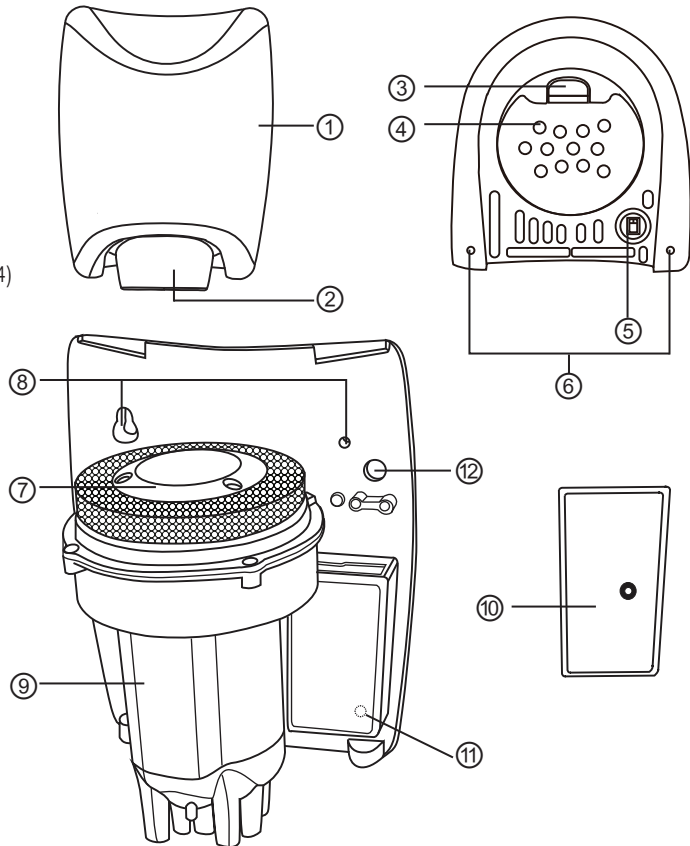
Please read this manual thoroughly prior to installation. To reduce the risk of fire, electric shock, or personal injury,

PLEASE NOTE THE FOLLOWING PRECAUTIONS:

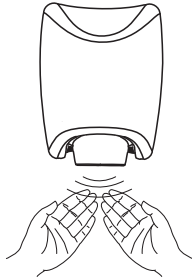
1. Do not allow the hand dryer to be used for any purpose other than drying hands. Use this unit only in the manner intended.
2. If service is required, turn the power OFF.
3. Any metallic items in contact with the hand dryer must be grounded.
4. The hand dryer is designed for indoor use only.
5. If the electrical outlet you intend to use is not adequately grounded, you should have a qualified electrician install the proper outlet.
6. Do not use this unit with any extension cords or adapter plugs.
7. If the cord or plug is damaged in any way, please call the Royal Sovereign Service Department.
8. Do not plug this cord into a loose electrical outlet.
9. Do not block air outlets or intake with obstacles.
10. Do not insert any objects into the hand dryer.
11. To clean the housing, use a soft cloth. Do not use any abrasive cleaning material as it may scratch the unit. Do not spray any cleaning liquids or water directly on the hand dryer.

DESCRIPTION

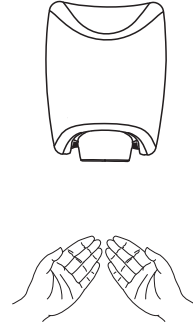
1. Stainless Steel Cover
2. Nozzel
3. Sensor
4. Air nozzel outlet
5. Heat ON / OFF
6. Tamper proof screws
7. Filter
8. Drill Holes (for mounting x 4)
9. Motor
10. Circuit board Cover
11. Circuit board
12. Power supply hole



GENERAL USAGE



The hand dryer will automatically be activated when placing hands underneath - maximum distance 4.7" (12 cm)



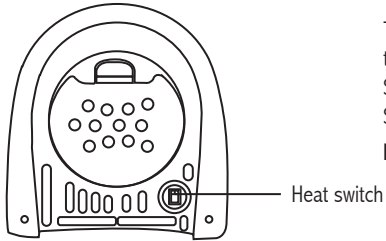
To stop, remove hands

MOUNTING THE UNIT

Recommended Mounting Heights

Men's Restroom	48"-50" (122-127 cm)
Women's Restroom	46"-48" (117-122cm)
Kindergarten (Ages 3-6)	32" (81cm)
Elementary School (Ages 7-10)	36" (91cm)
Middle School (Ages 10-13)	40" (102 cm)
High School (Ages 14-18)	45-47" (114-120cm)
Handicap Mounting	36-38" (91.5-96.5")

HEATING CONTROL



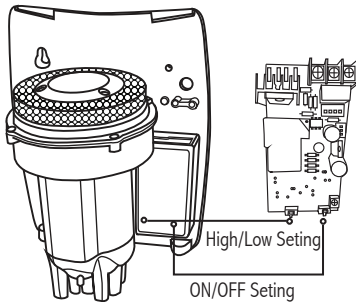
The hand dryer provides two different heat options to allow you to set the comfort setting.

Set to 'ON' for warm dry of the hand.

Set to 'OFF' for cool dry of the hands.

Note: The Heating Control is set to 'ON' or Warm Dry mode.

SPEED CONTROL



The hand dryer provides two different speed settings which allow you to control the speed and sound of hand drying.

Set to 'HI' for maximum dry setting speed - recommended for high volume locations. In 'HI' setting, the decibel sound of the hand dryer will be louder.

Set to 'LOW' for reduced noise, but slightly longer dry time. This setting may ideally be used for lower volume locations.

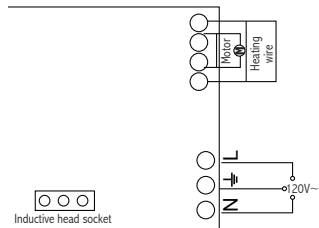
Note: The Speed Control is set to 'Hi' for maximum dry speed time.

HAND DRYER ON / OFF

The hand dryer has a ON/OFF setting on the circuit board to allow you to turn ON/OFF the hand dryer. The Hand Dryer should be set to 'OFF' position during installation.

Note: The Hand Dryer is set to 'ON', The unit will work 'out of the box' once the power cable connection is connected.

PLUG IN READY OPERATION



The Royal Sovereign hand dryer provides maximum flexibility when installing the hand dryer. The hand dryer is plug and play ready. Simply connect 3 wires to the terminal slots - Positive (L), Negative (N), and Ground (T). A hard-wire option is also available, for those who do not want to use the supplied power supply. Simply use your own power cable (14 AWG or better)

INSTALLATION INSTRUCTION - STEP 1

Plug And play Ready Operation

To prepare the hand dryer for 'plug and play' ready operation, proceed as follows:

1. Use the supplied allen key and remove the stainless steel hand dryer cover.
2. Remove the circuit board cover of the circuit board. Run the supplied power cable though the back power supply hole.
3. Attach the negative cable to the negative terminal (labeled N).
4. Attach the ground cable to the ground terminal (labeled T).
5. Attach the positive cable to the positive ground terminal (labeled L).
6. Proceed to the second step of installation.

Hard Wire Operation

You have the option of utilizing the supplied power cord, or by utilizing your own wires. To utilize the supplied power cord, proceed as per the instructions 'Plug and Play Ready Operation'. To utilize your own wires.

1. Install 1/2" electrical connector in the pack part of the housing in the hole located above the circuit board.
2. Feed wires though the power supply hole (14 AWG or better); tighten clamp down on wire.
3. Connect the wires to the slots on the terminal marked NLT.

INSTALLATION INSTRUCTION - STEP 2

1. Select the ideal mounting location for the hand dryer. Refer to Mounting the Unit for ideal height placement.
2. Use the supplied drill hole template sheet and proceed to mark and drill the holes as indicated.
3. If not done already, use the supplied allen key and remove the hand dryer cover from the base.
4. During installation, ensure the Power button is turned 'OFF' - ON/OFF button is located on the circuit board - refer to Page 7 - HAND DRYER ON/OFF.
5. For Plug and Play Operation, plug into the electrical outlet, ensuring the power supply cable is not exposed. For Hard Wired Installation, ensure that the unit has the required power and is connected properly.
6. Select the Motor Setting (HI/LOW) to be utilized and ensure the POWER selector switch is turn 'ON'. Select Heat ON/ Heat OFF option (Preset to Heat On - Refer to Page 7 of Manual 'Heating Control'). Test the setting selected by placing your hand underneath the hand dryer.
7. Place the stainless steel cover back on the Hand Dryer unit and tighten the screws.

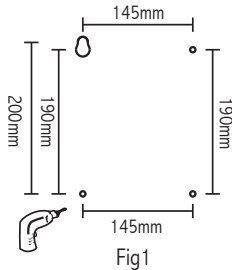


Fig1

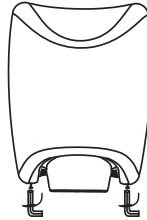


Fig2

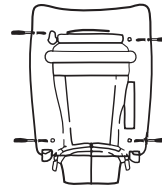


Fig3

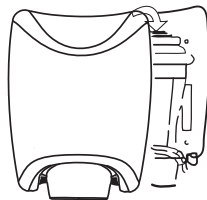


Fig4

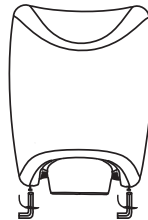


Fig5

MAINTENANCE

This hand dryer is equipped with an air filter to help prevent dust and debris from possibly damaging the motor and heating element. It is recommended that the filter be replaced or cleaned periodically to maintain ideal operation. For high volume usage it is recommended that you clean or replace the filter every six months. For lower volume usage, it is recommended that you clean or replace the filter once a year.

To clean the air filter, use a soft bristle 1/2" paint brush or equivalent to clean the dust and debris from the filter.

TROUBLESHOOTING

Hand Dryer is not warm	<ul style="list-style-type: none"> • The Heat option is turn OFF. Set to the ON position. • Possible defective heat element. Needs to be replaced. Call Royal Sovereign customer service.
Hand Dryer air output is slow	<ul style="list-style-type: none"> • Motor setting is set to LOW. Change setting to HI
Hand Dryer is loud	<ul style="list-style-type: none"> • There are two Motor Settings. HI setting allows for faster hand drying, but the decibel (dB) sound is slightly higher. To reduce the decibel sound, set the motor setting to LOW (it will take longer for the user to dry the hands)
Hand Dryer does not start	<ul style="list-style-type: none"> • No Power to the Unit. Check the power to the unit (both power supply and ON/OFF switch) • Defective Sensor - Replace the IR Sensor • Defective Motor - Replace the motor. Call Royal Sovereign customer service
Hand Dryer will not shut off	<ul style="list-style-type: none"> • The sensor is dirty or there is a reflection. Clean the IR Sensor. Ensure that there is no possible reflection from another object

SPECIFICATIONS

Model	RTHD-431SS
Voltage/Frequency	110 V, 60 Hz
IP Rating	IP24
Motor Rate /Type	25,000 RPM Brush Motor
Motor Setting	Hi / Low
Heat Setting	ON /OFF
Dimensions (w x d x h)	8.2" x 7.4" x 12.8" (21 cm x 19cm x 32.5cm)
Weight	10.5 lbs (4.7kg)

NEED HELP WITH INSTALLATION?

Royal Sovereign can help arrange professional certified installation of your hand dryer.

For more information:

USA: 800-397-1025

Canada: 866-961-6673

LIMITED FIVE YEAR WARRANTY

This warranty applies to repair or replacement of product found to be defective in material or workmanship for five years from the date of the original purchase (3 Year Motor). This warranty is extended only to the original purchaser.

This warranty does not apply to damage resulting from abuse, misuse, or improper maintenance of damage that is attributable to acts of nature. Royal Sovereign International, Inc. (and its affiliated companies) is not liable for incidental or consequential damages of any nature. This limitation would not apply if you live in those areas that do not permit the exclusion or limitation of incidental or consequential damages.

Defective products for warranty repair or replacement cannot be returned without a Return Authorization number. Please go to www.royalsovereign.com USA-Customer Support Tab to make a request for an Office Product Return Authorization.

Defective products must be returned to Royal Sovereign International Consumer Return Department, freight prepaid, with proof of purchase and Return Shipping and Handling payment (check or money order). Upon repair or replacement the product will be returned to the customer.

ROYAL SOVEREIGN INTERNATIONAL, INC.

2 Volvo Drive Rockleigh, NJ 07647 USA
TEL : +1) 800-397-1025 FAX : +1) 201-750-1022

www.royalsovereign.com

RS CANADA INC.

5610 Timberlea Blvd, Mississauga Ontario L4W 4M6 CANADA
TEL : +1) 905-461-1095 TF # : +1) 866-961-6673
FAX : +1) 905-461-1096

www.royalsovereign.ca