

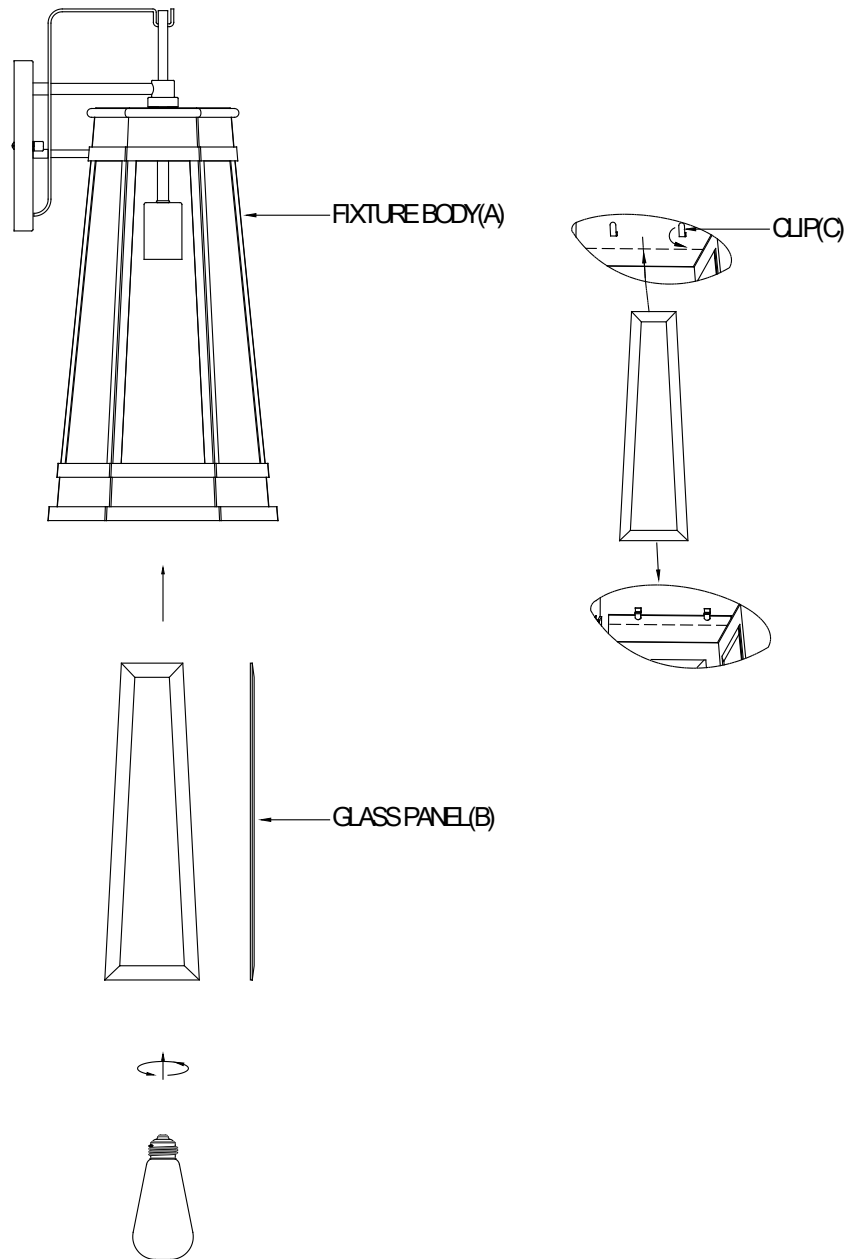


SAVOY
HOUSE

ITEM NO: 5-205

5-206

5-207



ASSEMBLY INSTRUCTIONS

1. Carefully unpack and identify all parts referring to illustration for parts identification.
2. Turn the power to the installation point OFF.
3. Install the glass panel (B) into the frame of the fixture body (A) and secure with clips (C) .
4. Refer to the additional installation instructions included with the product for wiring and installation.
5. Install a proper bulb (not included) into the socket referring to the markings and/or labels on the fixture for maximum wattage.
6. Restore power to the installation point and retain this sheet for future reference.