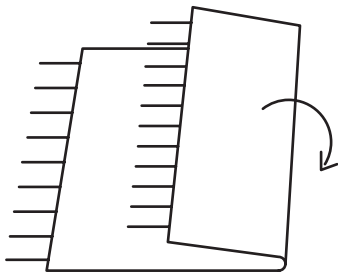




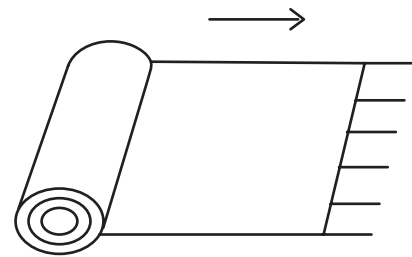
SAFAVIEH – RUGS

SET UP - Please unfold it as soon as possible!

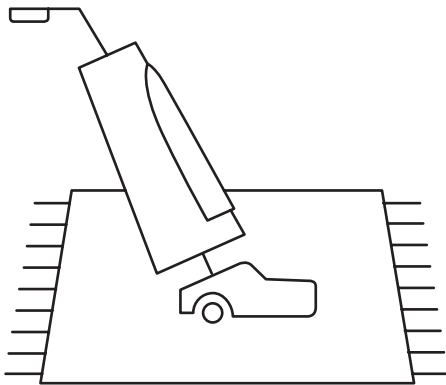
Your rug was folded to allow for faster shipping. The lines or creases in the rug are completely normal and not permanent, but it could take a few days or weeks to completely flatten. To expedite the process, please:



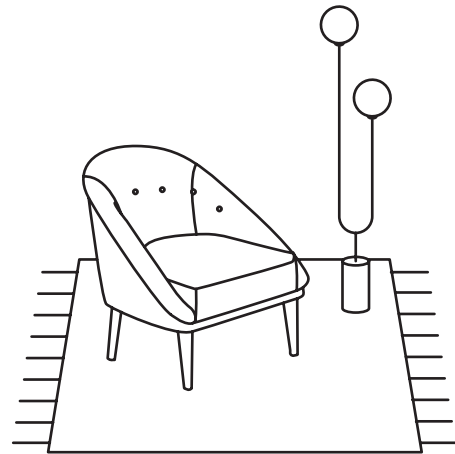
1 UNFOLD YOUR RUG



2 ROLL YOUR RUG and leave it rolled for 24-48 hours.



3 VACUUM THE RUG. You can also steam the rug after vacuuming.



4 MOVE FURNITURE onto the rug and walk on it.