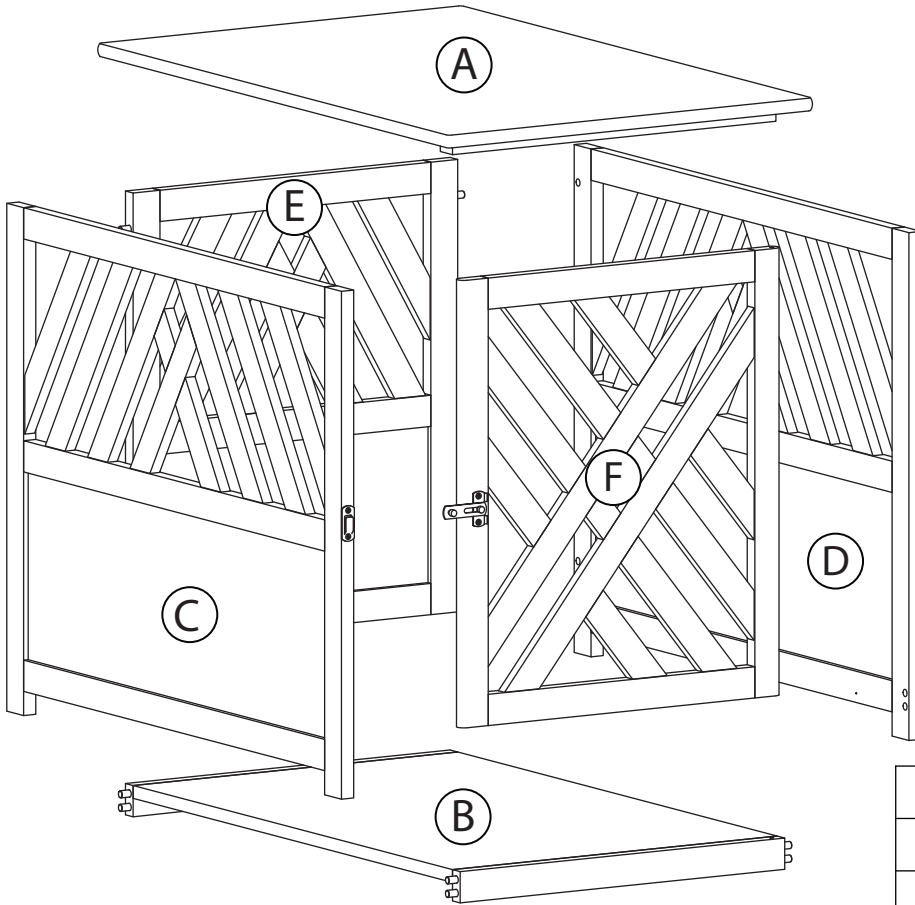


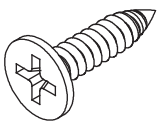
Assembly Instruction
Item# 602-2X
Modern Lattice Wood Pet Crate End Table



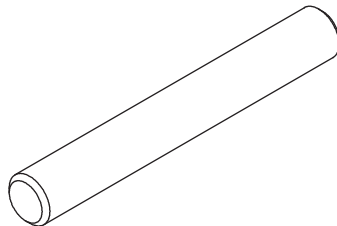
Parts List

A	Top	1 pc.
B	Bottom	1 pc.
C	Left Panel	1 pc.
D	Right Panel	1 pc.
E	Back Panel	1 pc.
F	Door	1 pc.

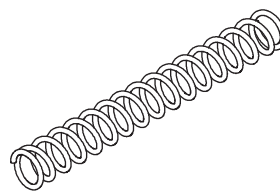
Hardware



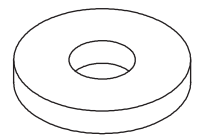
Small Screw
RF10004
24 pcs.



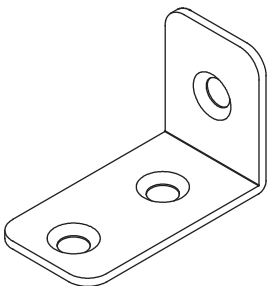
Metal Pin
RF40009
2 pcs.



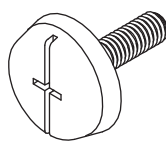
Spring
RF40002
2 pcs.



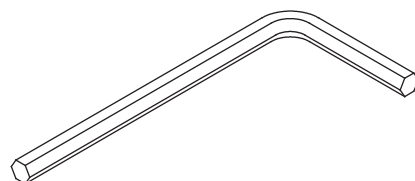
Washer
RF44013
2 pcs.



L-Bracket
RF50003
8 pcs.



Adjustment Screw
RF10049
4 pcs.



Allen Key
RF40103
1 pc.

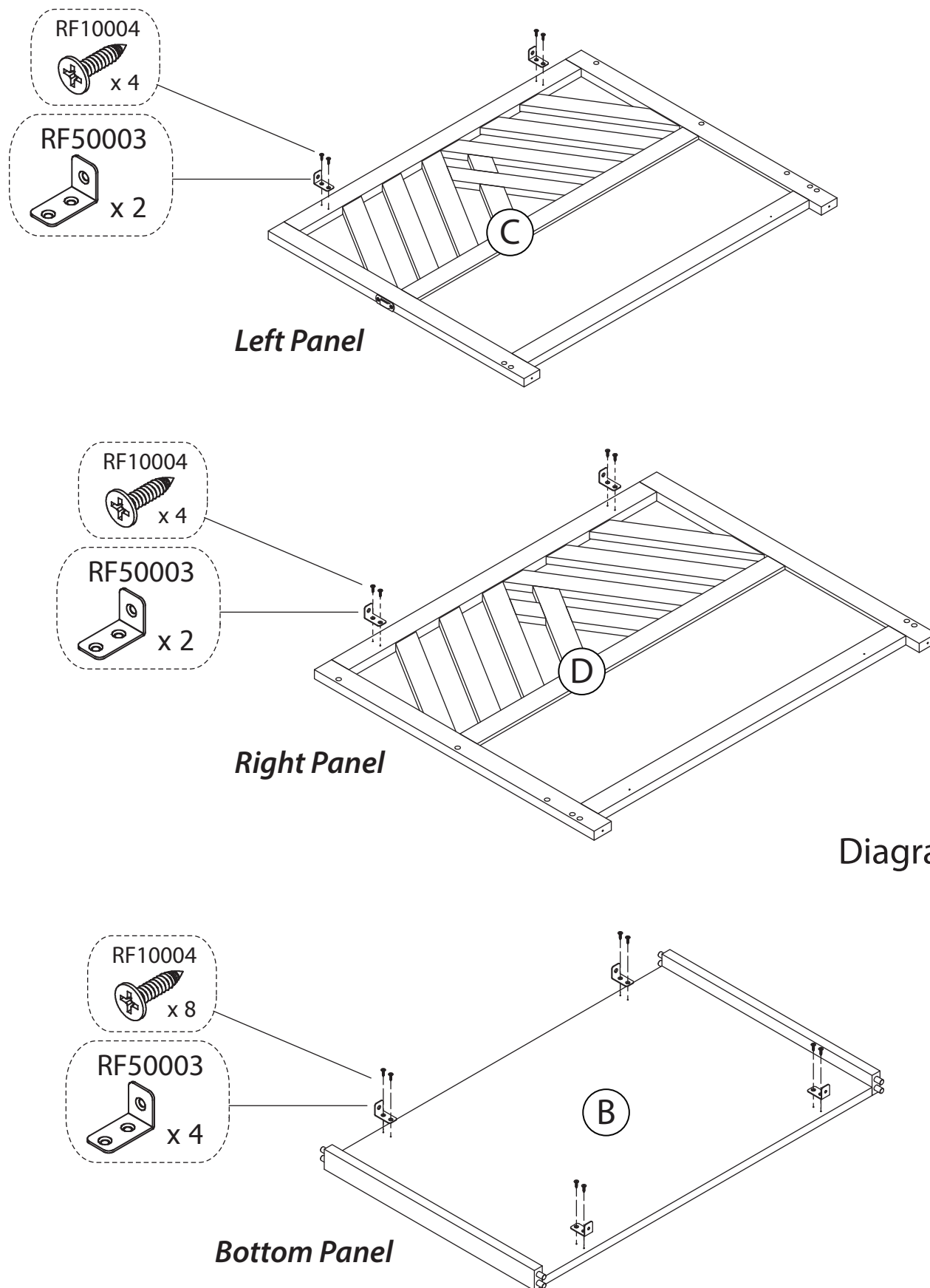


Diagram 1.

Step 1.

Attach L-Bracket (RF50003) into the pre-drilled holes on the Left Panel (C), Right Panel (D) and Bottom (B) by using screws (RF10004) as per Diag. 1.

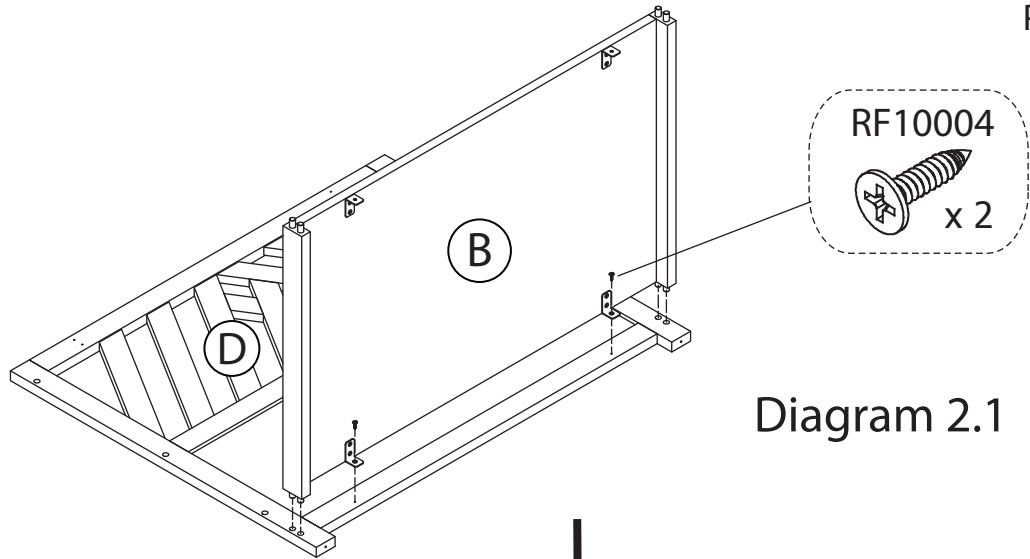


Diagram 2.1

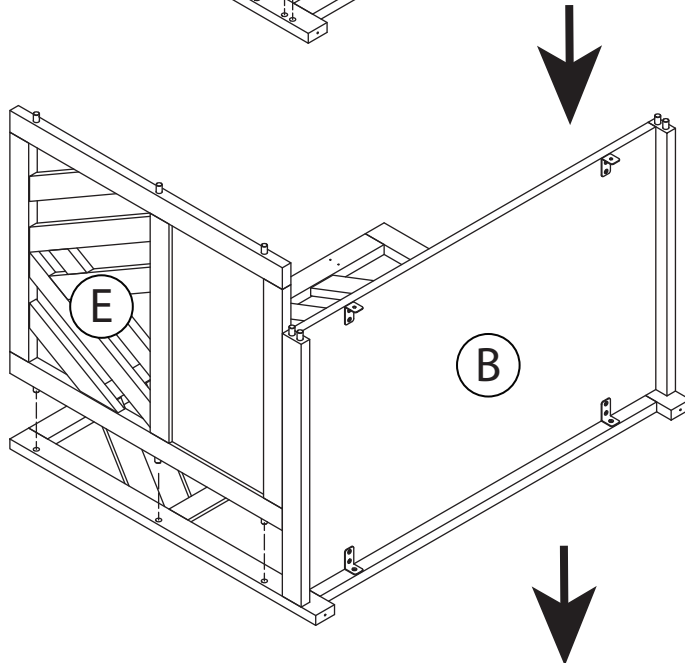


Diagram 2.2

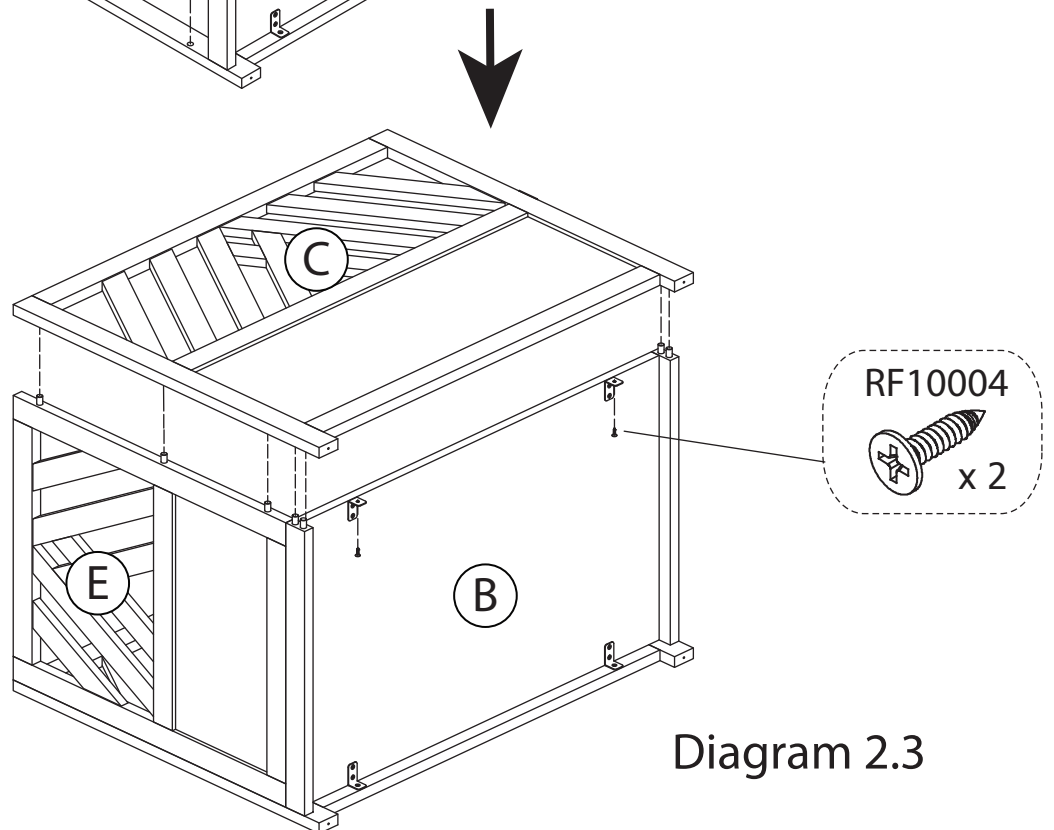


Diagram 2.3

Step 2.

- Attach Bottom (B) together with the Right Panel (D) by using screws (RF10004) as per Diag. 2.1.
- Attach Back Panel (E) together with the Right Panel (D) as per Diag. 2.2. Then, attach the Left Panel (C) into the unit by using screws (RF10004) as per Diag. 2.3.

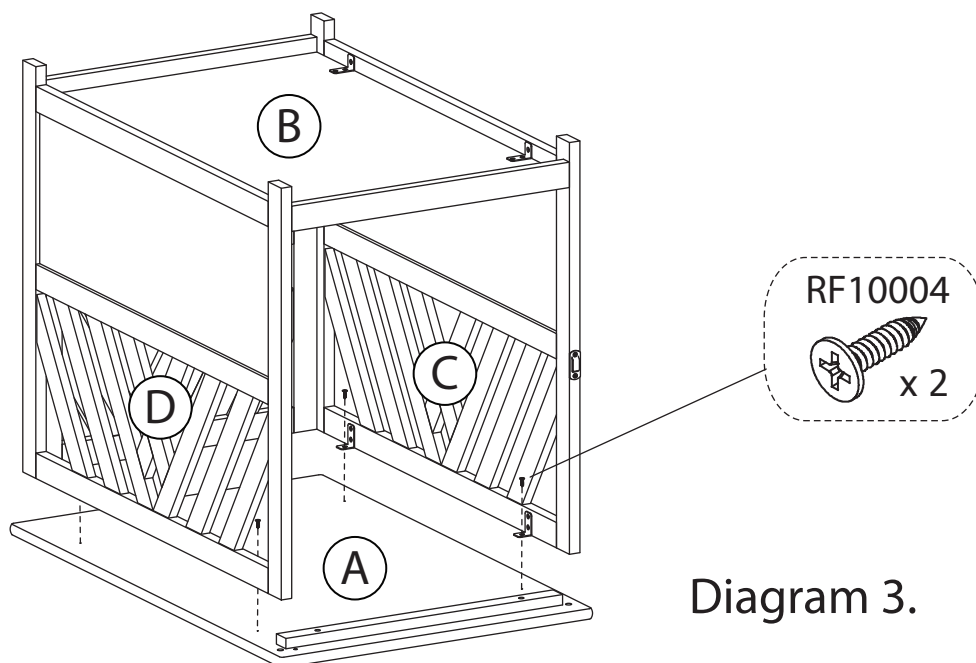


Diagram 3.

Step 3.

Invert the Top (A) on a soft surface. Then attach the unit together with the Top (A) by using screws (RF10004) as per Diag.3.

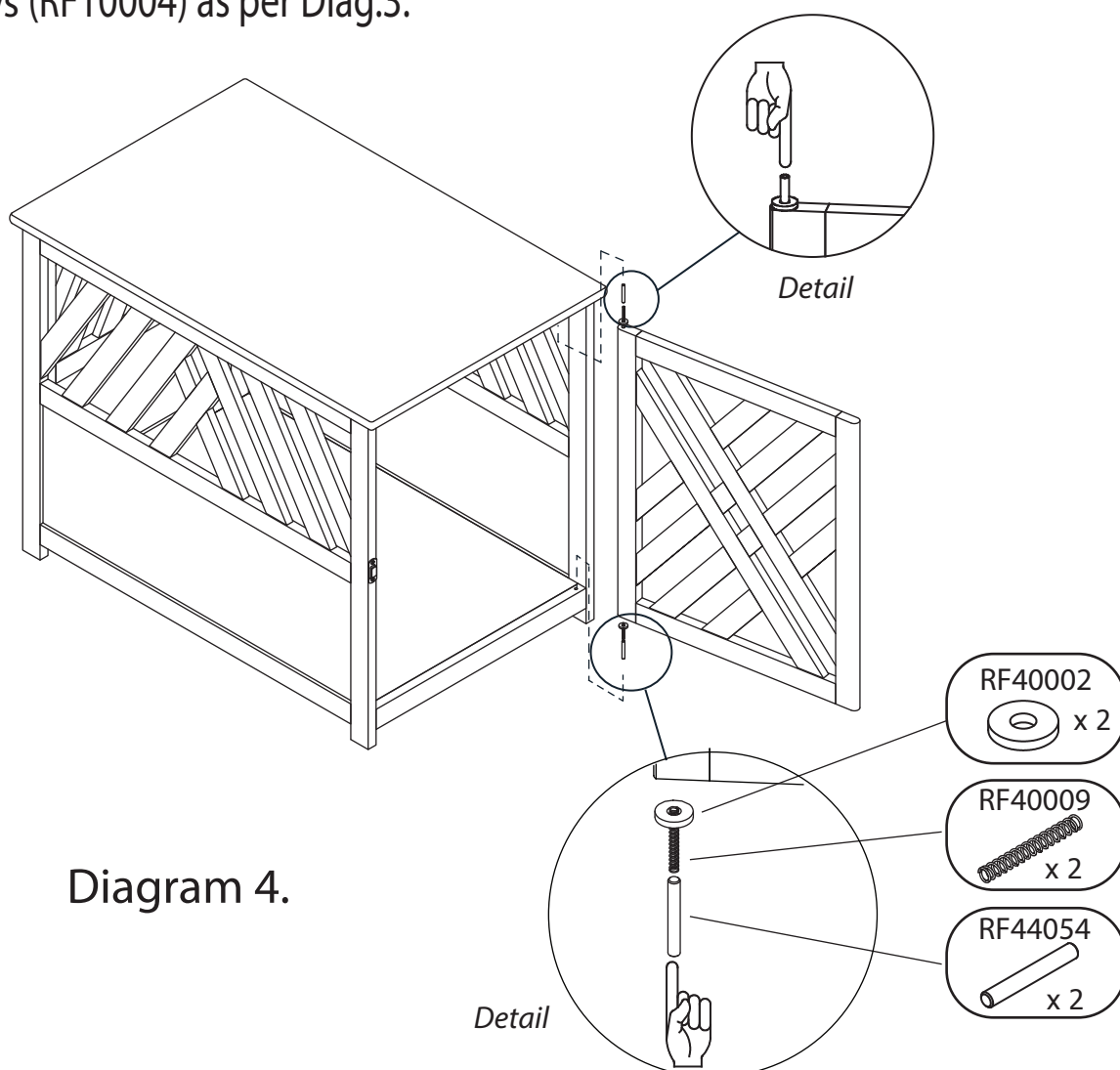


Diagram 4.

Step 4.

Assemble spring (RF40002) + door pin (RF40009) + washer (RF44054) as per diagram 4. Warning, hold the pin with finger so it doesn't fly away from the force of the spring. Gently insert all three parts into predrilled holes at the door as per diagram 4. Slide the top pin into the hole at Top (A). Trap the bottom pin on Bottom (B) and gently slide the pin until it engaged the hole on panel (B).

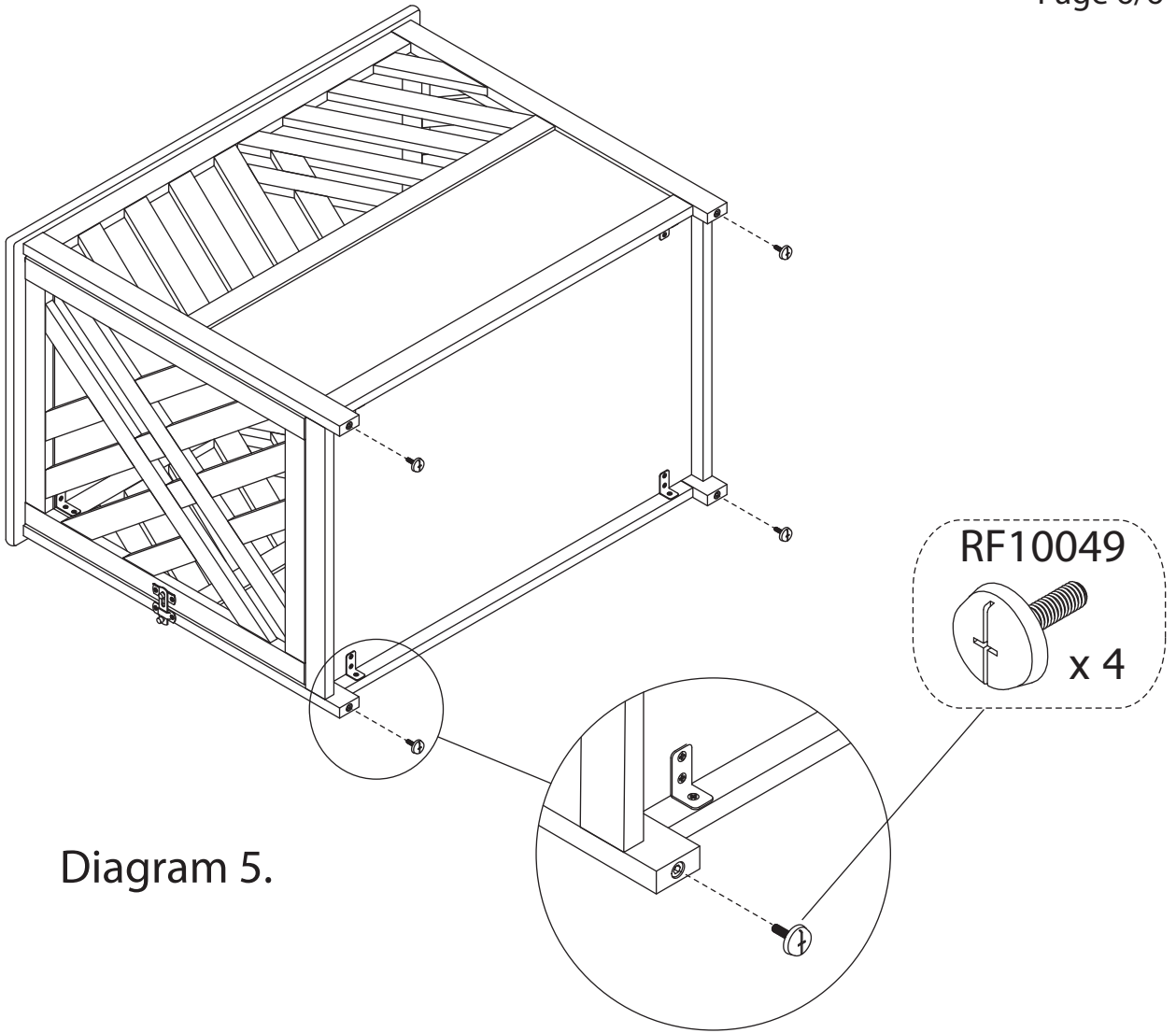


Diagram 5.

Step 5.

Tightening the Adjustment Screws (RF10049) under the unit as per Diag.5.

