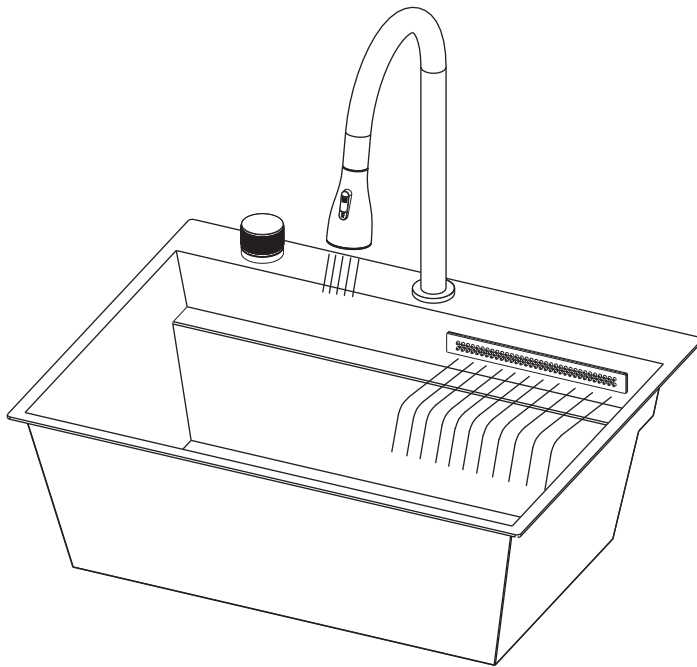


INSTALLATION INSTRUCTION

DROP IN KITCHEN SINK



INSTALLATION INSTRUCTION OF DROP IN KITCHEN SINK

IMPORTANT:

1. We strongly recommend that the product be installed by A licensed plumber.
2. We recommend at least two people to lift or mount the sink .

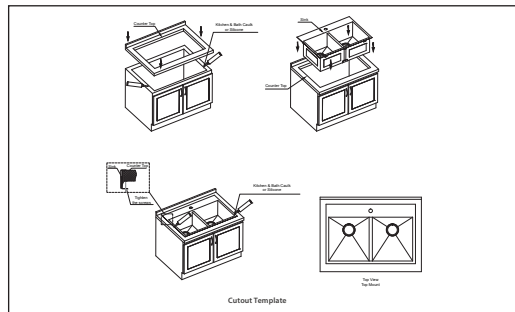
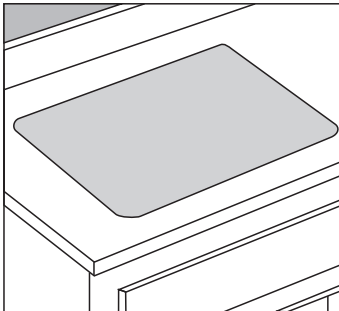
TOOLS NEEDED:

Safety glasses/silicone adhesive sealant/tape measure/Jigsaw/rags/wood braces/
evel/screws/bladed screwdriver

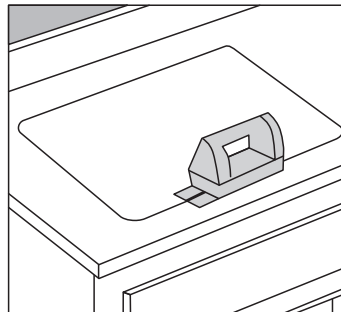
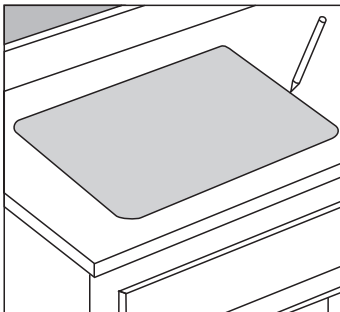
INSTALLATION STEPS:

Step1: Position the Template in the desired location on the countertop.

(Please put the cutout template against the sink and confirm it is suitable. If not,please contact after-sale service)

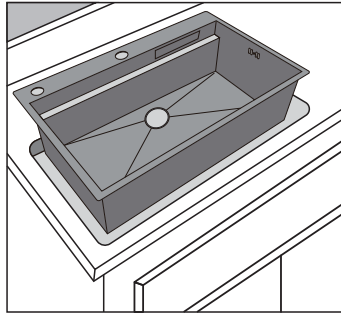
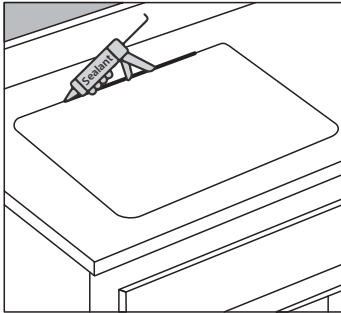


Step2: Trace the Template on countertop with a pencil and Cut the Countertop Accordingly.

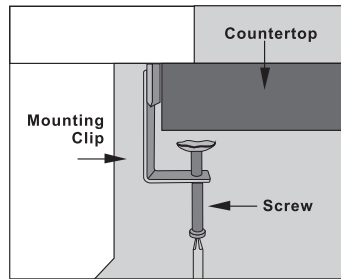
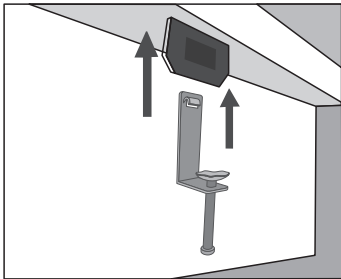


Step3: Fix the Sink to Countertop.

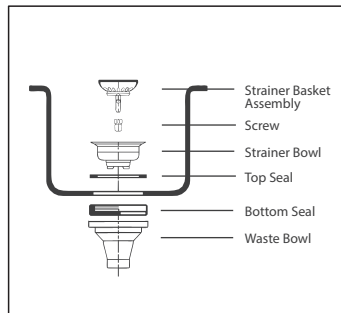
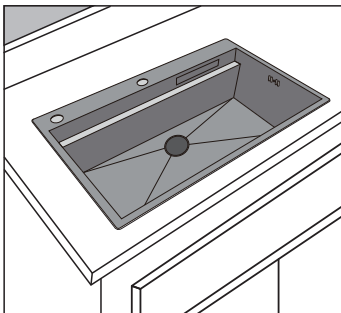
1. Put some silicone-based adhesive along the edge of the hole.
2. Insert the sink into the opening, confirm it fits the countertop opening , and press firmly.



3. Tighten the Clips with the sink.



4. Remove excess silicone-based adhesive and allow the sealant to settle for 30-60 minutes.

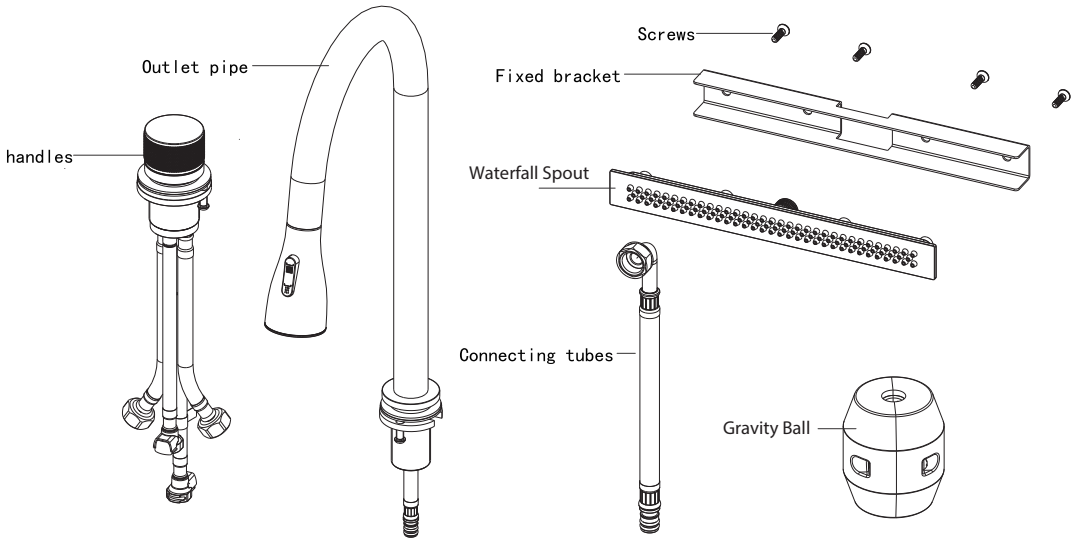


Step4: Install Plumbing Fixtures

Connect the drain to the sink. Connect the trap to the drain. Connect the watersupply connections to the faucet according to manufacturer's instructions. Drain water into the sink and check for leaks.

Step 5: Install Waterfall Faucet

Product configuration reference diagram



Matters needing attention

To keep the surface of the faucet clean and bright, please clean the faucet regularly:

1. Clean frequently with clean water and dry the faucet with a soft cotton cloth;
2. Do not use detergents or polishing powders containing coarse particles to avoid abrasion of the product;
3. Acidic detergents should not be used because they corrode the coating. If the tiles have been cleaned with acidic detergents, the tiles and appliances should be cleaned immediately separately to avoid the detergent flowing onto the faucet surface and corroding the first layer of coating.

Maintenance

1. Use clean water and a soft cloth to remove surface dirt and scale film as much as possible.
2. Use any of the following cleaners to remove surface dirt and scale film: Mild liquid detergent Colorless glass cleaner, non-abrasive and completely soluble Powdered detergent (and mixed as directed) Non-abrasive polishing agent.
3. After cleaning, remove all detergents with clean water and wipe dry with a soft cotton cloth.

Product installation Manual

Installation steps

1. Before installation, make sure that the basin has a 35-41mm faucet hole, remove the fixing assembly at the bottom of the faucet outlet pipe, and then insert the faucet into the hole. The base sealing gasket must be placed at the bottom of the main body.

2. Screw on the installation assembly from the bottom to the threaded pipe in order of removal, and tighten it with the installation tool.

3. Install faucet handle assembly

4. Install the waterfall faucet. Install it from the front, and the bottom must be equipped with a rubber pad and a sealed water pad. Check whether the installation surface is clean and free of debris to avoid affecting the sealing of the rubber pad and causing water leakage.

5. Fix the faucet with a fixing bracket on the back of the sink, and then tighten it with screws. Do not need to be tightened too tightly to avoid squeezing and deforming the water outlet on the front. Finally, check whether the sealing gasket on the front of the sink has bulges, deformation, etc. If so, please loosen the screws and tighten them again.

6. Install the gravity ball in the appropriate position of the water pipe first.

7. Connect the threaded joint on the back of the nozzle and the outlet pipe of the faucet to the connecting pipe respectively. The hot and cold water pipes are connected to the hot and cold water angle valves respectively.

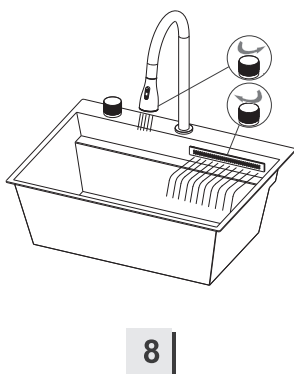
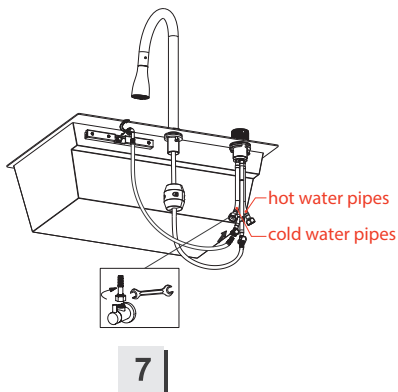
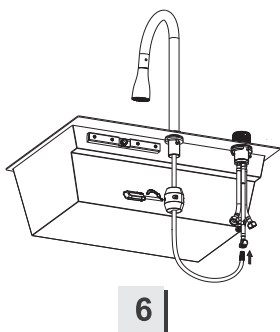
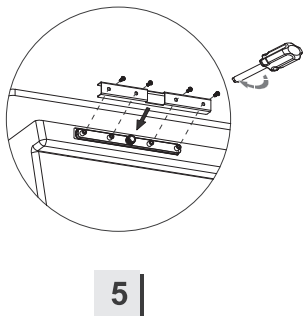
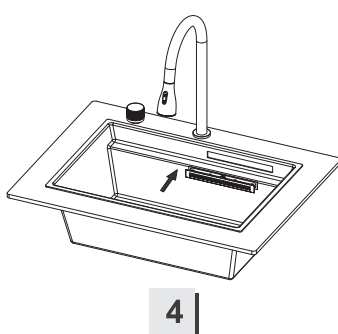
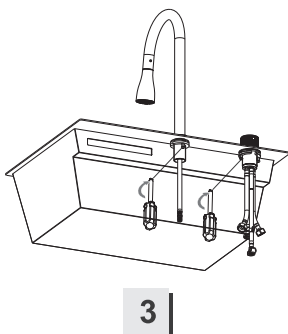
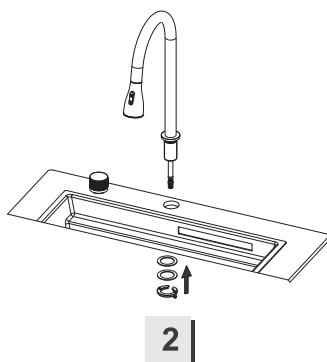
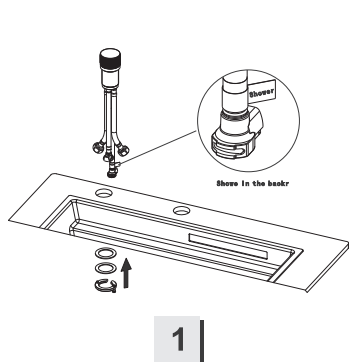
8. Open the handle and observe whether there is any water leakage at the joint. The installation is now complete.

Method of use

The handle is rotated to the left to draw out water, and the temperature increases with the opening angle. The handle rotates to the right to fly out of the water, and the temperature increases with the opening angle.

Conditions of use

1. water supply pressure: 0.05-1.0mpa (0.5-10kGF /cm).
2. the ambient temperature should be above 0. C
3. water supply temperature ≤ 90 C
4. The torque at the nut connection shall not be greater than 10Nm.



Step 6: Install Glass Rinsers

Read all instructions steps before installation.

Turn off hot and cold water supplies at angle stops before installing glass rinser.



1
Installation diagram
For sinks with levelledges/Granite,
Don't need the plastic spacer.



2
Place tilted silicone pad, put the base
on the sink hole.



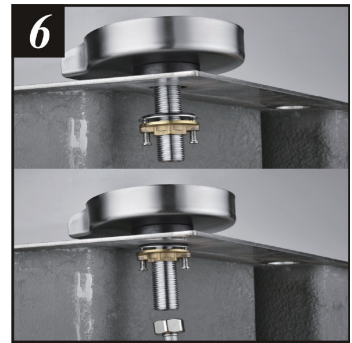
3
Insert the shank into the hole, screw the
actuator arms onto the sink clockwise.



4
The assembly of the shank is shown in
the figure.



5
The assembled glass rinser is shown
in the picture.



6
Screw the black gasket and the
metal nut onto the sink, and tighten.



7
Thread the 1/2" end of provided supply
line to mounting the shank.



8
Choose cold or hot water for your glass
rinser, unthread supply line onto the tee.
Connect the water pipe as shown in the
above figure.



9
Turn on both water supplies at angle stops
and check for leaks at all connections.
Finish and enjoy your easy life.

MAINTENANCE INSTRUCTIONS

MAINTENANCE INSTRUCTIONS DO:

1. Clean Daily with soft towel to wipe the sink with warm water, Mixing in some wash-er-fluid is advisable. Remember to wipe it dry.
2. If any mineral substance is built up on the sink, clean it up as soon as possible.
3. Properly remove the rust, molds, or scratches with a scouring pad. Rubbing the sink in the direction of the brush.
4. Rub it slightly with a soft towel in the direction of brushed lines

DO NOT

1. Leave water spots, utensils, or steel cool-ware in the sink for a long time, which could become rust spots on your sink surface.
2. Leave cleaning agents or bleach sitting in your sink for a long time which may cause the sink to discolor or damage the surface.
3. Use steel wool or a scouring pad to rub.
4. Leave rubber mats, cleaning pads, or sponges in the sink for a long time as this may ruin the finish of your sink.
5. Cut food in the sink.
6. The hard water may also cause rust stains.

FAQs

1. Why are there rusts in my new kitchen sink?

Reasons: Rusts and stains on a stainless steel sink can be caused by a variety of factors, including:

- 1.1 Air on pan or other metal pans are left in the sink for days.
- 1.2 Utensils or flatware are left in the sink for days.
- 1.3 Metal cans (pet food cans, vegetables cans, etc.) are left in the sink for days.
- 1.4 The water contains iron (suggestion: get an iron filter to help alleviate this issue).
- 1.5 Certain dish soaps contained by metal bottle or built-in soap dispenser.
- 1.6 Wet sponges or colored towels are left in the sink for days.

Prevention and Treatments:

- 1.1 Install the sink after all innovation project is done and clean your sink right after installation.
- 1.2 Clean your sink after each use.
- 1.3 Properly remove the rusts and molds using a scouring pad.

2. What will scratch or harm the sink?

- 2.1 Improper packaging and accessories can lead to scratch marks during transit.
- 2.2 The sink can be easily scratched by sharp objects, please use soft cloth to clean the sink.

Prevention and Treatments:

- 1.1 Minor scratch: Use a sponge with toothpaste to polish it repeatedly.
- 1.2 Moderate scratch: Use a scouring pad to polish small areas.
- 1.3 Serious scratch: Purchase stainless steel polisher.