

welcoming • sophisticated • inspiring



MODEL NUMBER	DESCRIPTION
1116VA-48-242-905	SL WRSVL LT GRY 48-IN VTY TZO TOP
1116VA-48-242-901	SL WRSVL LT GRY 48-IN VTY WHT TOP
1116VA-48-201-905	SL WRITSVLE WH 48-IN VTY TZO TOP
1116VA-48-201-901	SL WRITSVLE WH 48-IN VTY WHT TOP
1116VA-48-201-900	SL WRITSVLE WH 48-IN VTY MBL TOP

---

## 48-IN VANITY WITH TOP

ITEM #1028305; 1028304; 1028294; 1028293; 1028292

MODEL #1116VA-48-242-905; 1116VA-48-242-901; 1116VA-48-201-905;  
1116VA-48-201-901; 1116VA-48-201-900

### ATTACH YOUR RECEIPT HERE

Serial Number \_\_\_\_\_ Purchase Date \_\_\_\_\_

---

**Questions, problems, missing parts?** Before returning to your retailer, call our customer service department at 1-866-439-9800, 8 a.m. - 8 p.m., EST, Monday - Sunday.

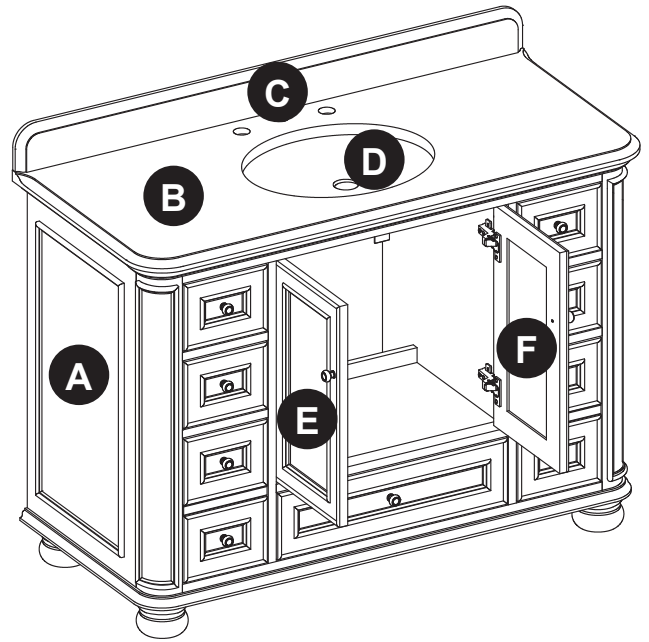
## TABLE OF CONTENTS

---

Package Contents.....	3
Hardware Contents.....	3
Safety Information.....	3
Preparation.....	4
Assembly or Installation Instructions.....	4
Care and Maintenance.....	10
Warranty.....	10
Replacement Parts List.....	11

## PACKAGE CONTENTS

PART	DESCRIPTION	QUANTITY	CARTON
A	Vanity	1	Box 2 of 2
B	Top	1	Box 1 of 2
C	Backsplash	1	
D	Sink	1	Box 2 of 2
E	Left Door (preassembled to Vanity (A))	1	
F	Right Door (preassembled to Vanity (A))	1	



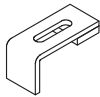
## HARDWARE CONTENTS (NOT SHOWN ACTUAL SIZE)

AA



Bolt  
Qty. 4

BB



Sink Bracket  
Qty. 4

CC



Nut  
Qty. 4

DD



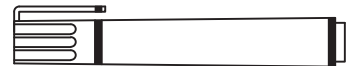
Lock Washer  
Qty. 4

EE



Wrench  
Qty. 1

FF



Touch Up Pen  
Qty. 1

## SAFETY INFORMATION

Please read and understand this entire manual before attempting to assemble, operate or install the product.

### WARNING

- Some steps are more easily handled with 2 adults.

### CAUTION

- Use care when assembling the vanity, take your time and follow the assembly instructions closely.

**KEEP THESE INSTRUCTIONS FOR FUTURE REFERENCE.**

## PREPARATION

Before beginning assembly of product, make sure all parts are present. Compare parts with package contents list and hardware contents list. If any part is missing or damaged, do not attempt to assemble the product.

**Estimated Installation Time:** 45 minutes (24 hours for silicone caulk to dry).

Tools Required for Installation (not included): Phillips screwdriver, utility knife or scissors, silicone caulk, power drill with drill bit, measuring tape, level.

## INSTALLATION INSTRUCTIONS

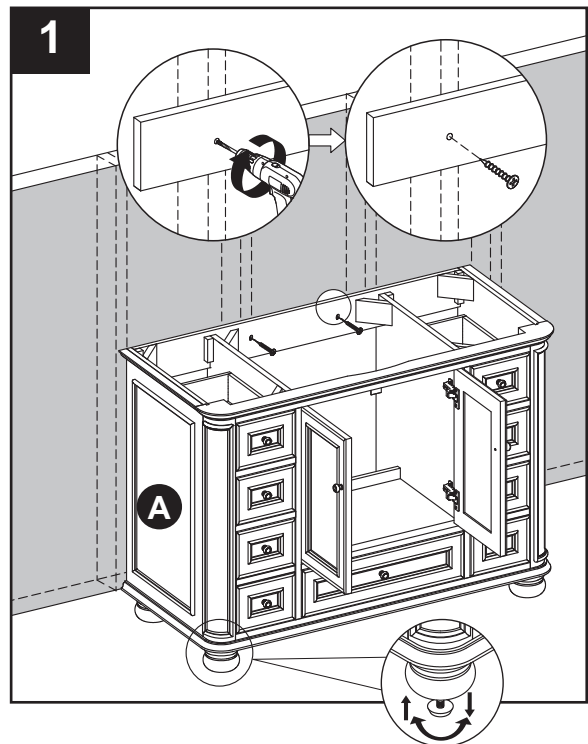
**Note:** Clean area where the vanity (A) will be permanently located prior to beginning installation, ensuring the vanity (A) will not interfere with any water supply and drain lines once mounted.

1. With two people, carefully place vanity (A) against the wall in its final location. Find and mark locations of wall studs behind the permanent location of vanity (A). From inside vanity (A), drill hole through vanity mounting area into wall studs. Using mounting hardware (not included) appropriate for your installation site, secure vanity (A) to wall stud. If possible, secure vanity (A) to two wall studs for increased stability.

### **WARNING**

Vanity (A) **MUST** be secured to the wall.

**Note:** Use preassembled levelers on feet of vanity (A) to level the item. Twisting the levelers counterclockwise will increase the height of vanity (A), twisting them clockwise will decrease it.



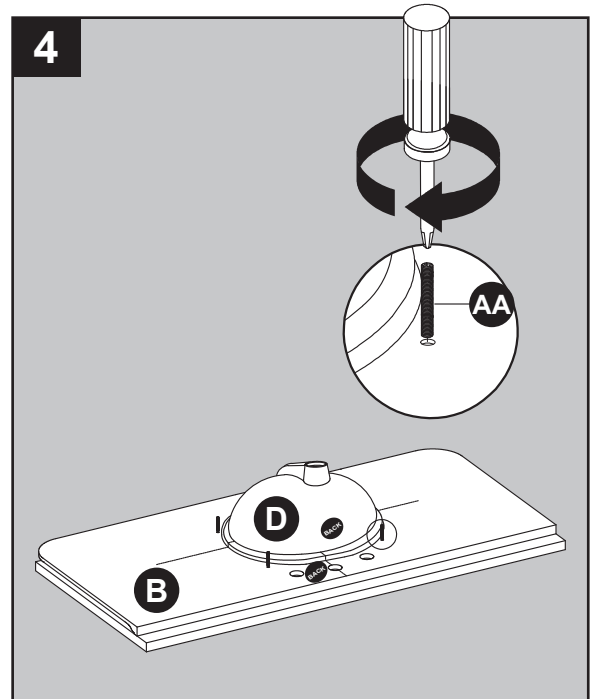


## INSTALLATION INSTRUCTIONS

4. Screw bolts (AA) into the threaded holes of stone top (B).

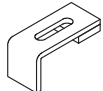
### Hardware Used


**AA** Bolt  x 4





5. Lower the sink brackets (BB) over the bolts (AA) and allow to rest on the sink lip. Adjust location of bracket to firmly grasp sink lip. Lower lock washers (DD) over bolts (AA) and secure with nuts (CC). Hand tighten nuts (CC) with included wrench (EE). **DO NOT OVER TIGHTEN!**  
 Tip: Check that the sink placement is well centered front to back and side to side of the stone top cut out before allowing the silicone caulk to dry. If the sink is not centered well unscrew sink clamps, re-adjust the sink position and re-tighten the sink brackets.

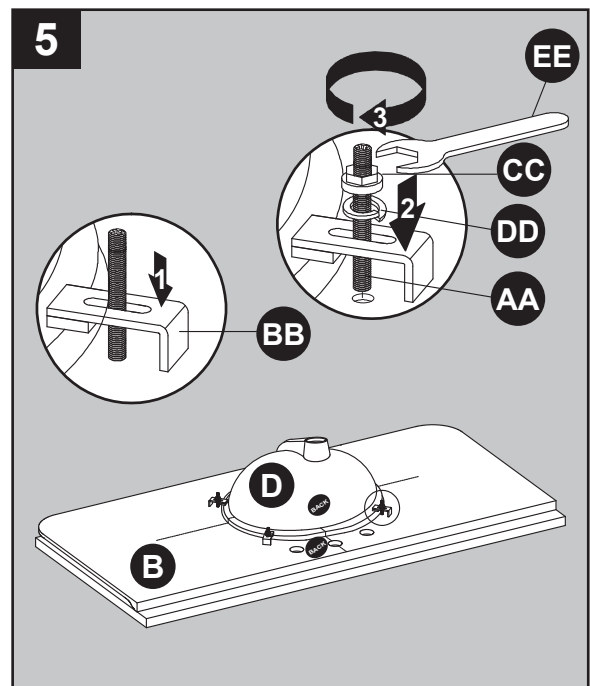
### Hardware Used

**BB** Sink bracket  x 4

**CC** Nut  x 4

**DD** Lock Washer  x 4

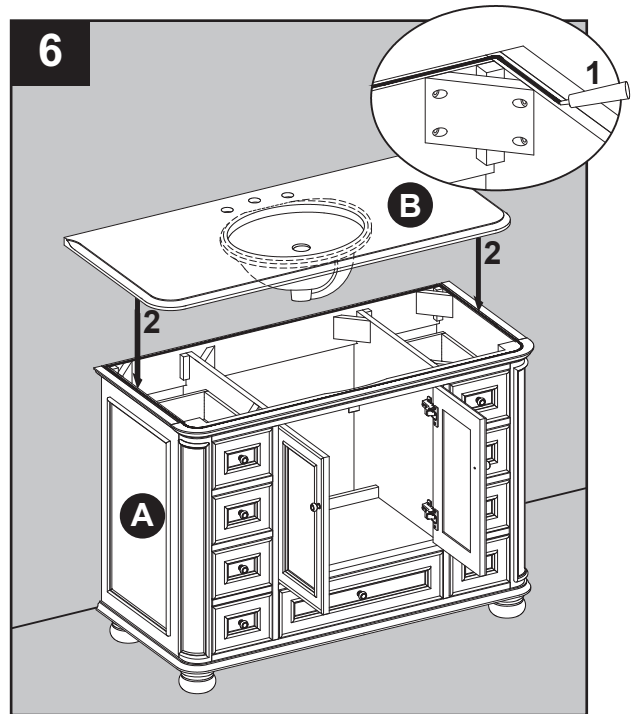
**EE** Wrench  x 1



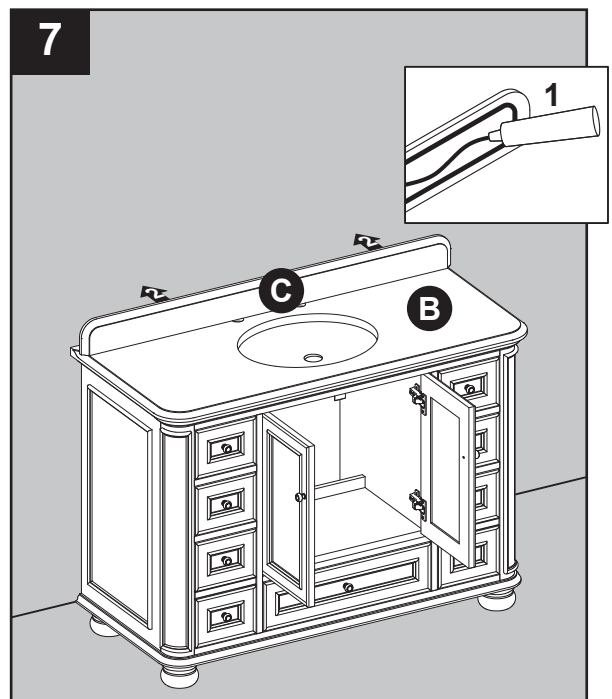
## INSTALLATION INSTRUCTIONS

Helpful tip: it may be easier to install your choice of faucet (not included) before securing the vanity top (B) to vanity base (A).

6. To install the stone top with assembled sink to the vanity (A). Apply silicone caulk to the top edge of the wood cabinet. With the help of another adult, gently lower the stone top with assembled sink onto the cabinet. Make sure the stone top is flush with the back side of the wood cabinet and the stone overhang is equal on both sides over the wood cabinet left and right side walls. Remove any excess caulk before allowing to dry.



7. Apply silicone caulk (not included) to unpolished side and bottom of backsplash (C). Position backsplash (C) on top (B) and against wall. Clean any excess caulk before allowing to dry.



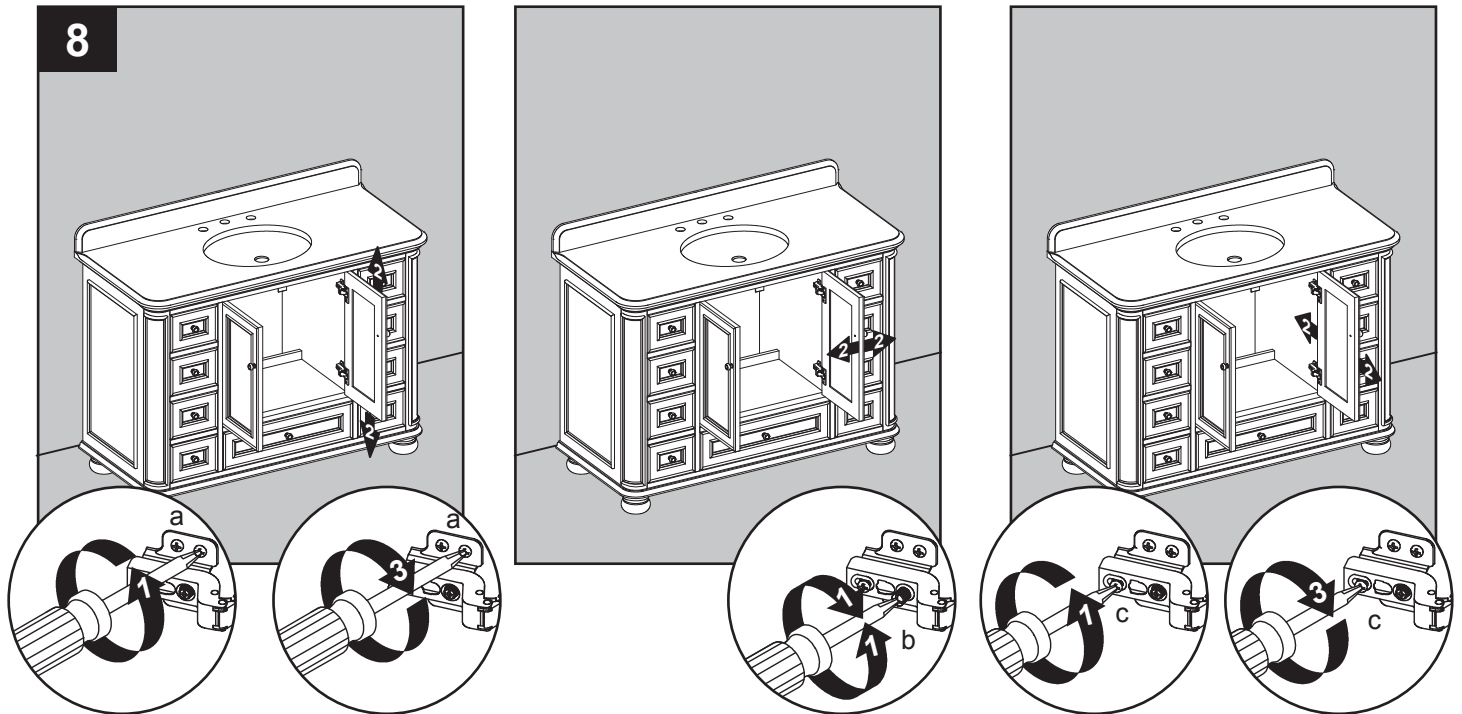
## INSTALLATION INSTRUCTIONS

8. If you need to adjust the doors, do so in the following manner.

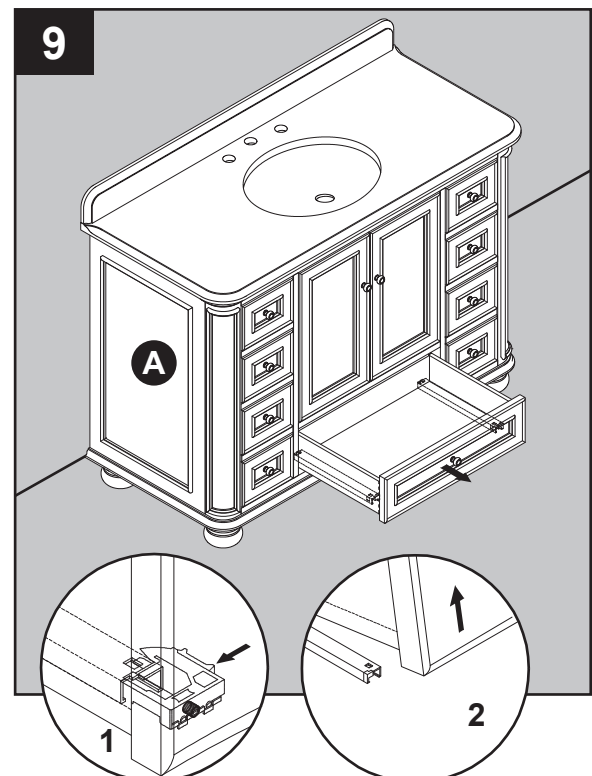
To adjust door up or down, loosen screws (a) on both hinges, adjust door, and retighten screws.

To adjust door left or right, turn screws (b) on both hinges, in and out.

To adjust door in or out, loosen screws (c) on both hinges, adjust door, and retighten screws.



9. To remove drawers from vanity base (A), fully extend drawers and locate the plastic levers on left and right sides of the metal glide tracks. Push the plastic levers, on both sides, at the same time, This will disengage the drawer box from the glides. Gently lift up on the drawer to remove it from the glide tracks. Set aside as these will be re-installed.





## INSTALLATION INSTRUCTIONS

10. To re-install drawers into vanity (A). Please fully extend metal glide tracks, gently lower and slide drawer box into rear glide catch, then, lower drawer box down to completely rest on extended glides, push plastic levers to lock the drawer box in place.

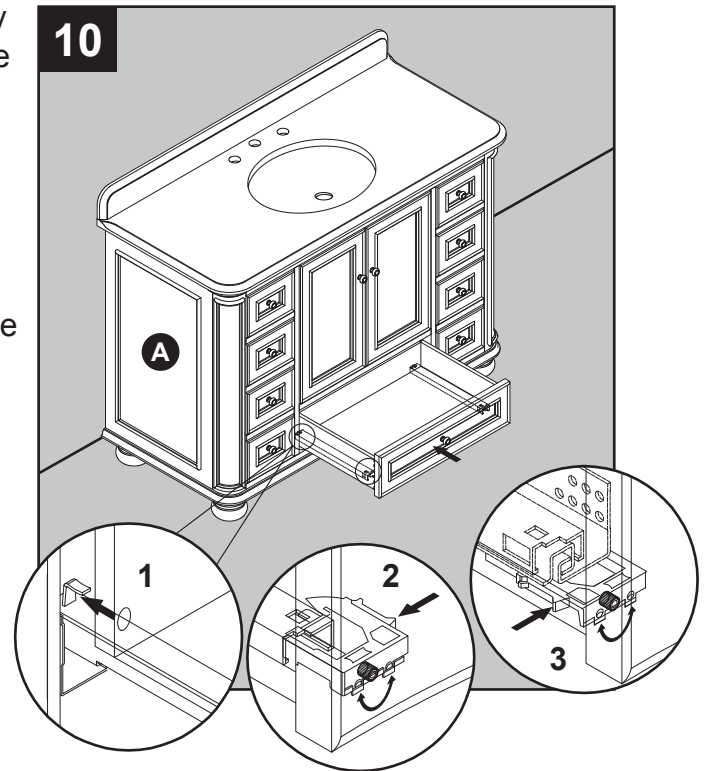
Repeat for remaining drawers.

**Note:** To Adjust the drawer box height. Please spin the adjustment wheel to the left to raise the drawer box or spin the adjustment wheel to the right to lower the drawer box. You can adjust the left and right side glide heights independently in order to find the drawers best alignment position.

### CAUTION

**DO NOT** force drawer or damage to glide may occur. If drawer does not slide in with ease, remove and try again from the start.

Assembly is now complete. Install desired faucet and drain assemblies (neither included) if not already done at step 6. Per the manufacturers' instructions to complete the installation.



## CARE AND MAINTENANCE

---

- Dust the vanity regularly with a soft, non-lint producing cloth or household dusting product.
- You can clean the vanity with a gentle, non-abrasive household cleaner.
- Make sure to dry the wood immediately with a soft cloth or towel.
- The ceramic sink can be cleaned using standard ceramic cleaning agents available at your local supplier.
- Tips for using touch-up pen (FF): For scratches, stroke in direction of scratch; for worn areas, stroke in direction of wood grain. Rub off excess colorant promptly with a soft cloth.

### IMPORTANT

- Shade variations and patterns are an inherent characteristic of stone (e.g. granite, marble, engineered stone). Stone tops will vary from product to product. Use caution placing items such as soap or any fragranced material on the stone surface. Use a soap dish, coaster or similar item to protect the surface if placing any soap or fragranced products on the stone.
- If soap or fragranced products come in contact with the stone top, rinse the surface with water and dry using a soft non-abrasive cloth.
- **WARNING:** Must use cleaning agents safe for stone. Check your cleaning agents use restrictions before using on any stone. Damage to the stone may result. Vanity Manufacturer not responsible for damage caused by improper cleaning agents or soaps used. Warranty will not cover damage caused by the use of improper soaps or cleaning agents.
- **DO NOT** use products to clean the stone top that contain acetone, lemon, vinegar or other acids as these may cause damage to the stone surface.
- Periodically reseal the stone top using an appropriate stone sealer available from your local home store. Follow the manufacturer's directions on how to apply.

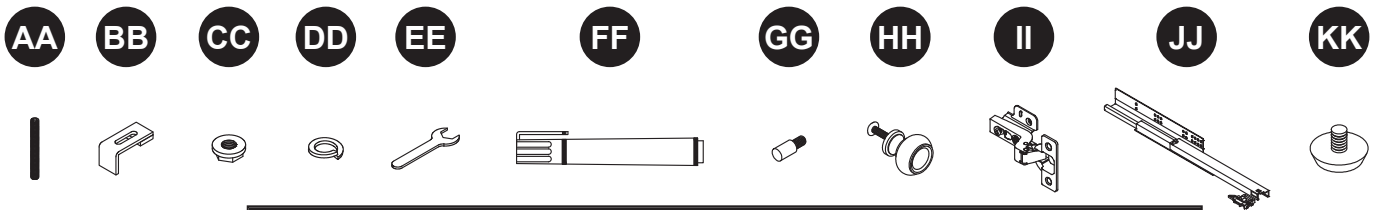
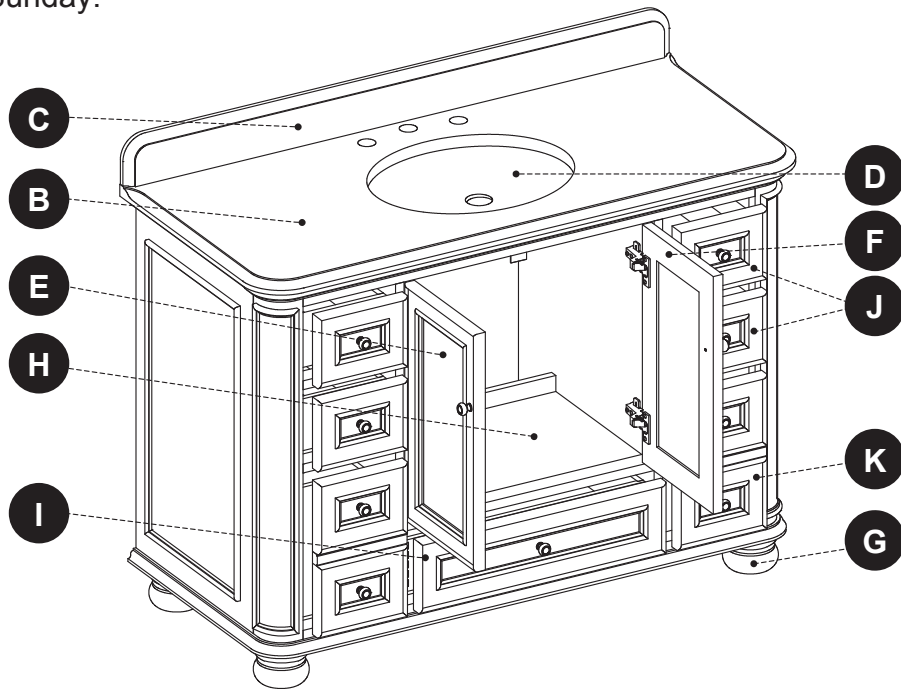
### WARRANTY

---

The manufacturer warrants this item against defects in materials and workmanship for a period of one (1) year from the date of original retail purchase. This warranty applies only to the original purchaser. This warranty does not apply to any damage on the product by accident, misuse, or modified, improper installation or by affixing accessories not produced by the manufacturer. The manufacturer will not be held liable for damages caused from cleaners or soaps that etch or stain the stone top. The manufacturer is not accountable whatsoever for product installation during the warranty period. There is no further expressed warranty. The manufacturer shall not be legally responsible for incidental, consequential or special damages arising at or in connection with product use or performance except as may otherwise be accorded by law. The manufacturer disclaims any and all implied warranties.

# REPLACEMENT PARTS LIST FOR 1116VA-48-201

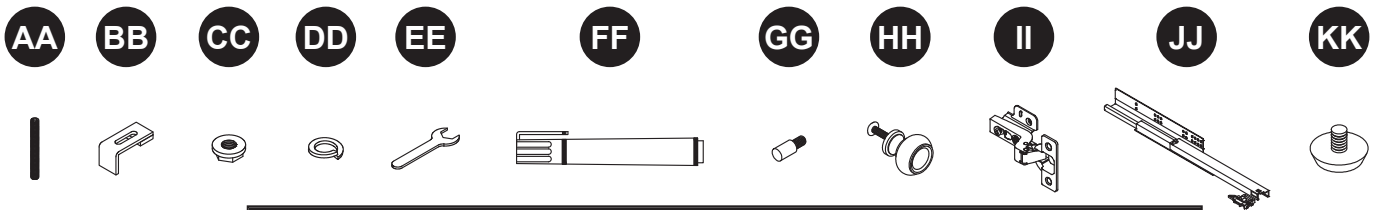
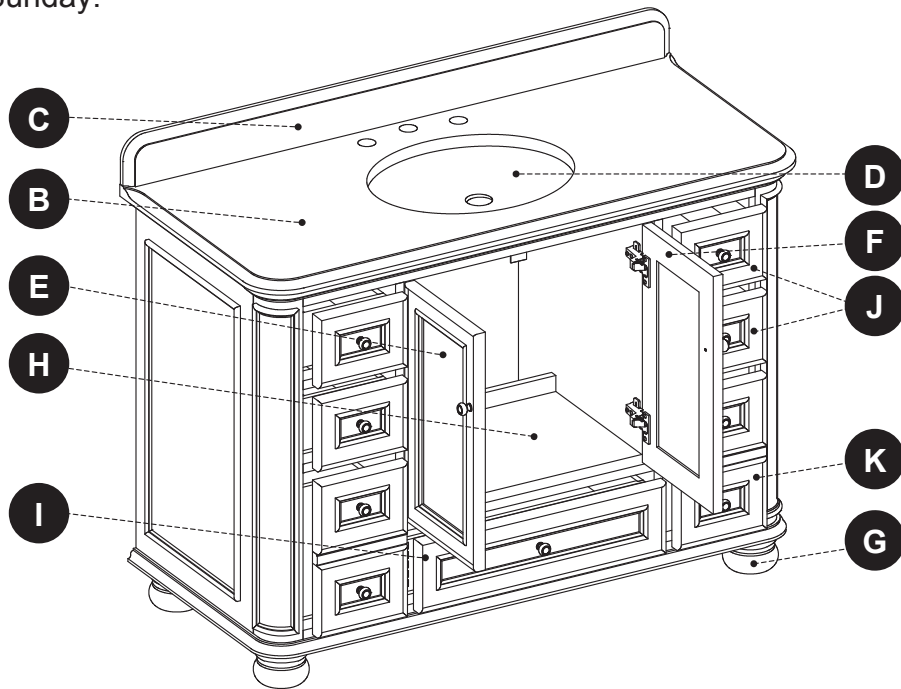
For replacement parts, call our customer service department at 1-866-439-9800, 8 a.m. - 8 p.m., EST, Monday - Sunday.



PART	DESCRIPTION	PART #
B	Complete Set 48" Carrara Marble Top	1116VT-48-900
	Complete Set 48" Engineered White Top	1116VT-48-901
	Complete Set 48" Terrazzo Top	1116VT-48-905
C	48" Carrara Marble Backsplash	PU1116BS-48-900
	48" Engineered White Backsplash	PU1116BS-48-901
	48" Terrazzo Backsplash	PU1116BS-48-905
D	Sink	PU17-19x16-OVAL
E	Left Door	1116VB-48-201-DOOR SET
F	Right Door	
G	Foot	PU1116-201-FOOT
H	Shelf	1116VB-48-201-002
I	Large Drawer Front	1116VB-48-201-L DRAWER
J	Small Drawer Front	1116VB-48-201-S DRAWER
K	Middle Drawer Front	1116VB-48-201-M DRAWER
AA	Bolt	GTC-SINK CLIPS
BB	Sink Bracket	
CC	Nut	
DD	Lock Washer	
EE	Wrench	
FF	Touch-Up Pen	OF-0010
GG	Shelf Pin	PU17-SP-002
HH	Knob (with screw)	PU17-1116-BN
II	Hinge	PU1116-EU-SC
JJ	Drawer Glide	PUDTC-14x3-HANDLE
KK	Leveler	T-1007

# REPLACEMENT PARTS LIST FOR 1116VA-48-242

For replacement parts, call our customer service department at 1-866-439-9800, 8 a.m. - 8 p.m., EST, Monday - Sunday.



PART	DESCRIPTION	PART #
B	Complete Set 48" Engineered White Top	1116VT-48-901
	Complete Set 48" Terrazzo Top	1116VT-48-905
C	48" Engineered White Backsplash	PU1116BS-48-901
	48" Terrazzo Backsplash	PU1116BS-48-905
D	Sink	PU17-19x16-OVAL
E	Left Door	1116VB-48-242-DOOR SET
F	Right Door	
G	Foot	PU1116-242-FOOT
H	Shelf	1116VB-48-242-002
I	Large Drawer Front	1116VB-48-242-L DRAWER
J	Small Drawer Front	1116VB-48-242-S DRAWER
K	Middle Drawer Front	1116VB-48-242-M DRAWER
AA	Bolt	GTC-SINK CLIPS
BB	Sink Bracket	
CC	Nut	
DD	Lock Washer	
EE	Wrench	
FF	Touch-Up Pen	OF-0120R
GG	Shelf Pin	PU17-SP-002
HH	Knob (with screw)	PU17-1116-BN
II	Hinge	PU1116-EU-SC
JJ	Drawer Glide	PUDTC-14x3-HANDLE
KK	Leveler	T-1007