

DESCRIPTION

WF318815

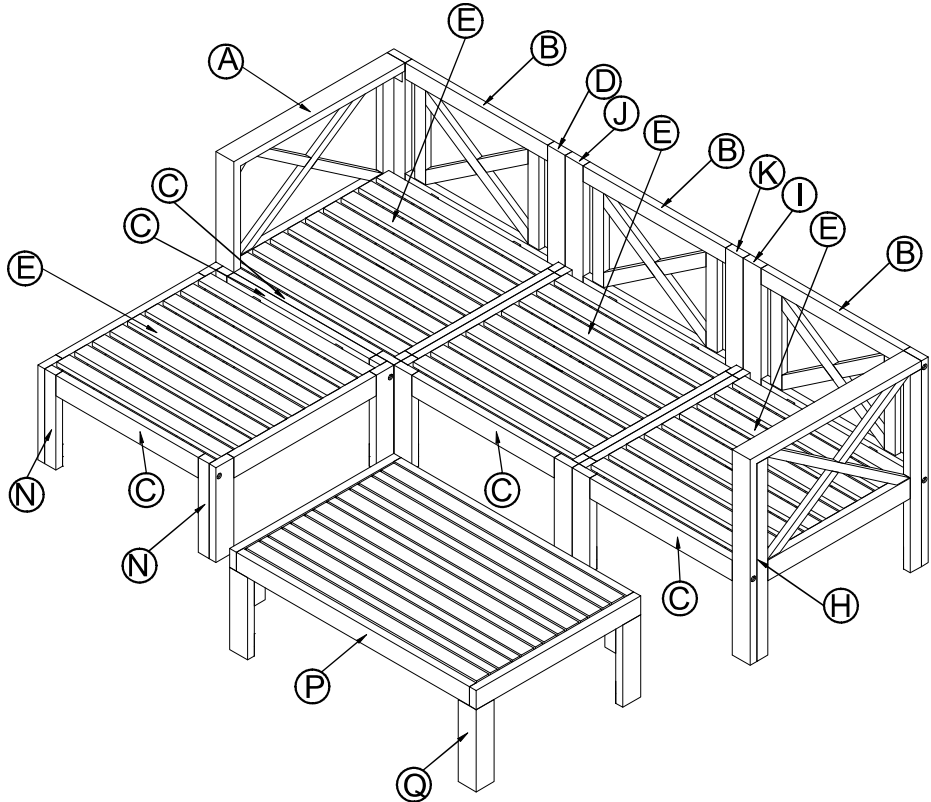
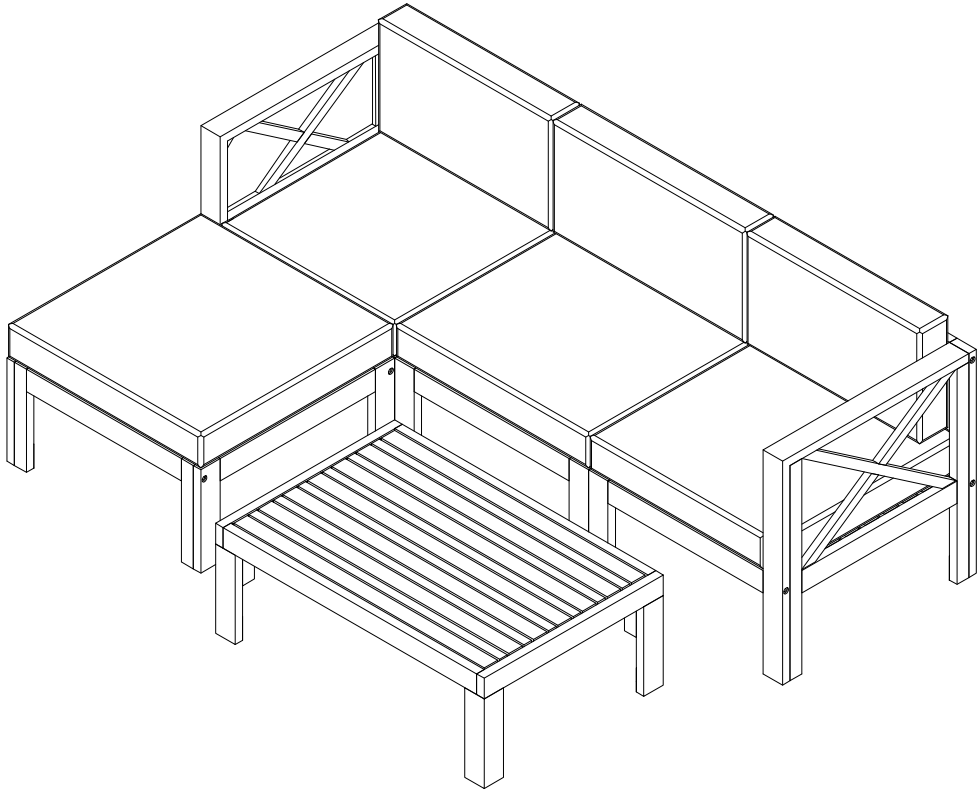
WF 318816

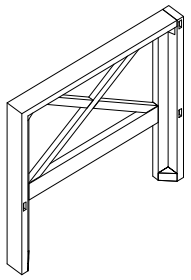
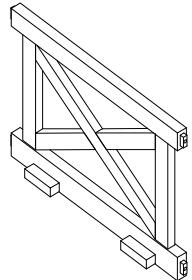
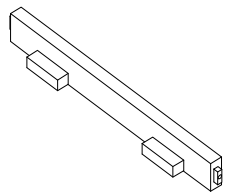
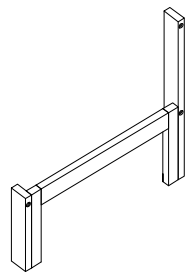
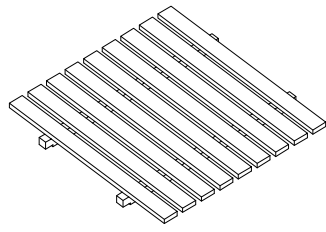
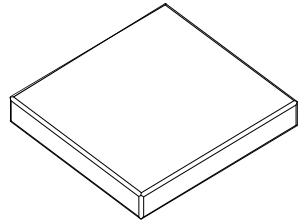
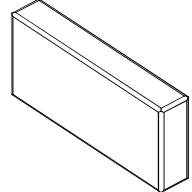
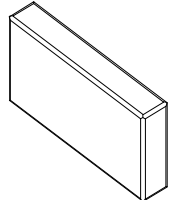
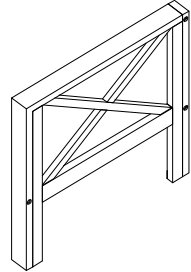
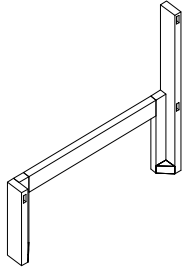
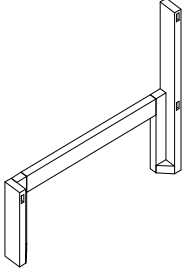
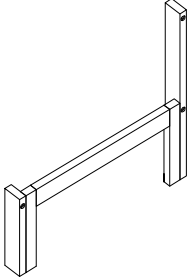
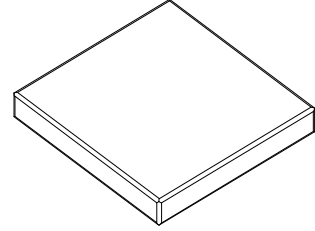
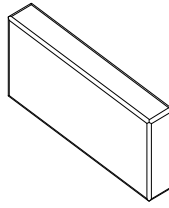
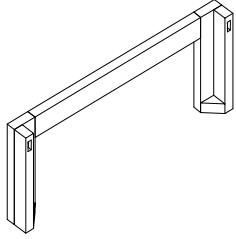
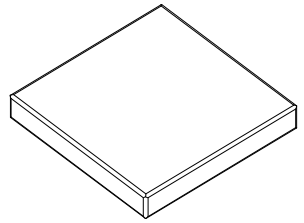
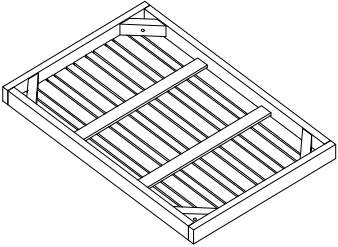
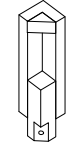
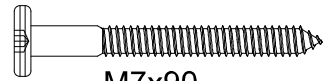

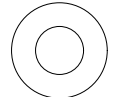
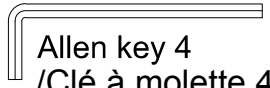
WF 318817

N717P233561

N717P233562

N717P233563

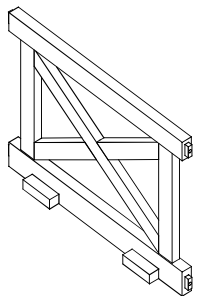


<p>A</p>  <p>(1 pc)</p>	<p>B</p>  <p>(3 pcs)</p>	<p>C</p>  <p>(5 pcs)</p>	<p>D</p>  <p>(1 pc)</p>	<p>E</p>  <p>(4 pcs)</p>	
<p>F</p>  <p>(2 pcs)</p>	<p>G</p>  <p>(1 pcs)</p>	<p>G'</p>  <p>(1 pcs)</p>	<p>H</p>  <p>(1 pc)</p>	<p>I</p>  <p>(1 pc)</p>	<p>J</p>  <p>(1 pc)</p>
<p>K</p>  <p>(1 pc)</p>	<p>L</p>  <p>(1 pc)</p>	<p>M</p>  <p>(1 pc)</p>	<p>N</p>  <p>(2 pcs)</p>	<p>O</p>  <p>(1 pc)</p>	
<p>P</p>  <p>(1 pc)</p>	<p>Q</p>  <p>(4 pcs)</p>	<p>1</p>  <p>M7x90 (22 pcs)</p>	<p>2</p>  <p>M8x50 (4 pcs)</p> <p>3</p>  <p>Ø8x20 (4 pcs)</p>	<p>4</p>  <p>Allen key 4 /Clé à molette 4 (4 pcs)</p>	

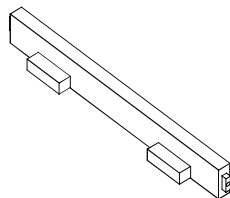
CARTON CONTENT/CONTENU DU CARTON

WF318815:

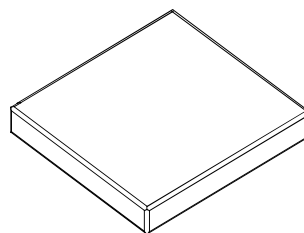
N717P233561:



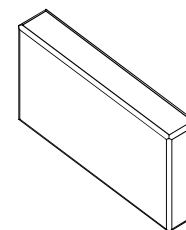
B x 2



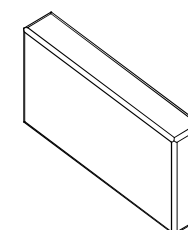
C x 5



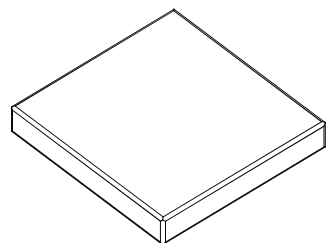
F x 2



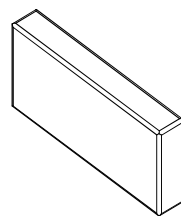
G x 1



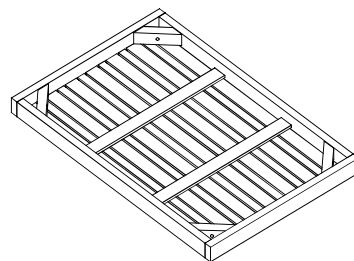
G' x 1



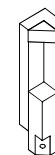
L x 1



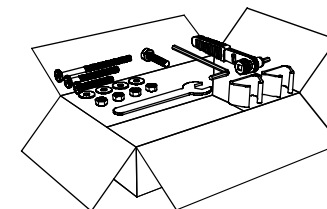
M x 1



P x 1



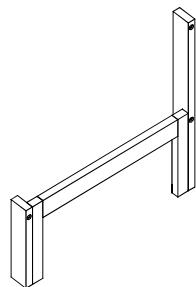
Q x 4



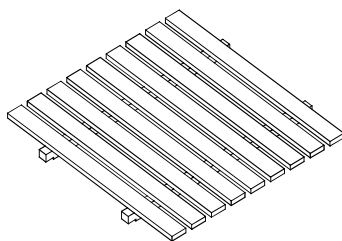
Hardware/matériel

WF 318816:

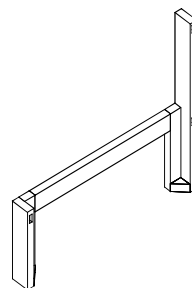
N717P233562:



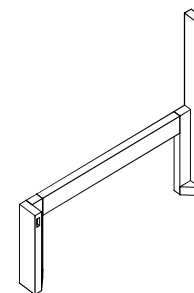
D x 1



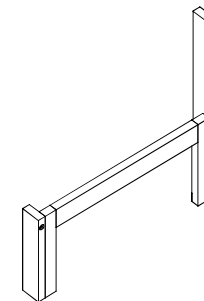
E x 2



I x 1



J x 1

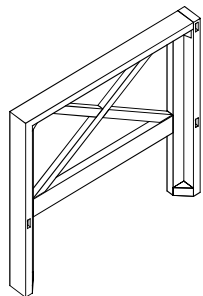


K x 1

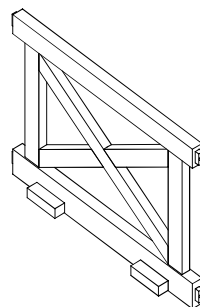
CARTON CONTENT/CONTENU DU CARTON

WF 318817:

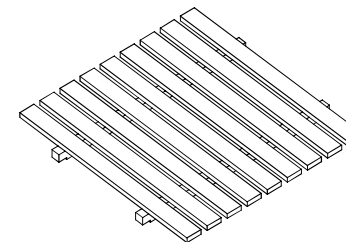
N717P2335623



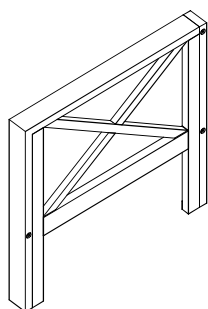
A x 1



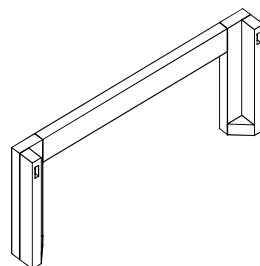
B x 1



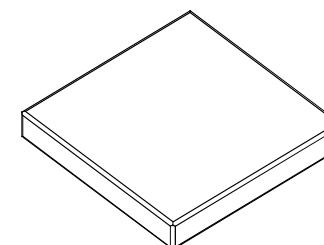
E x 2



H x 1

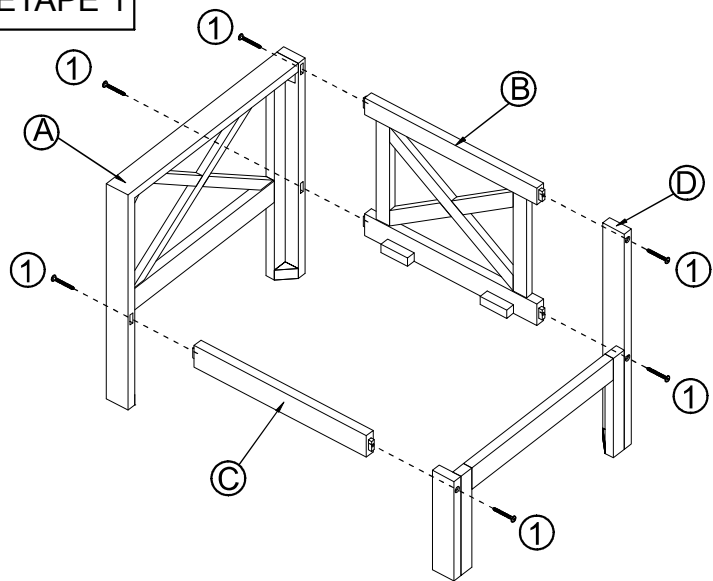


N x 2



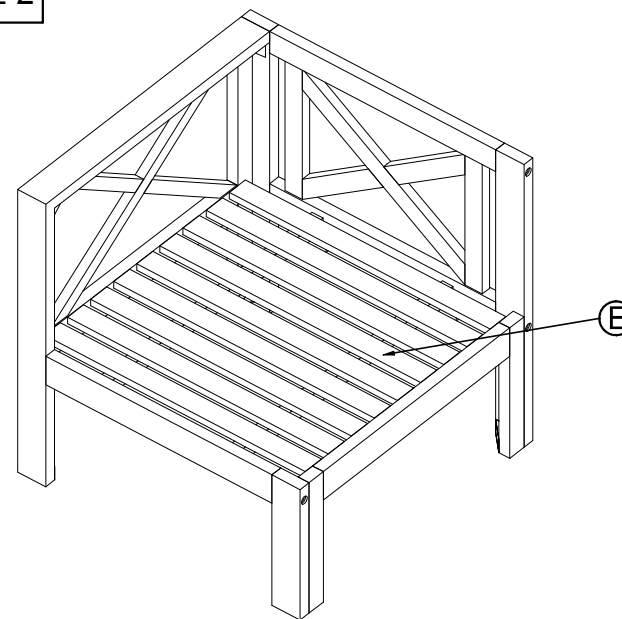
O x 1

STEP 1/ÉTAPE 1

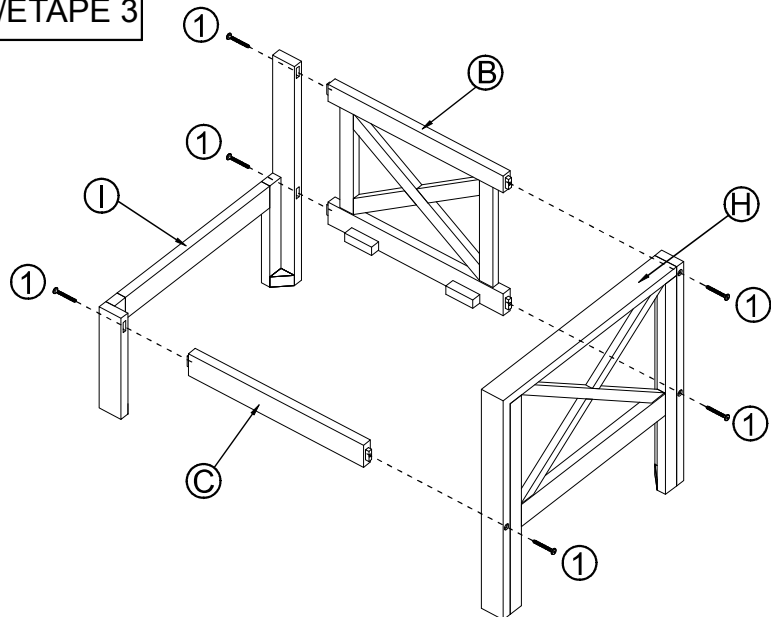


① *6

STEP 2/ÉTAPE 2

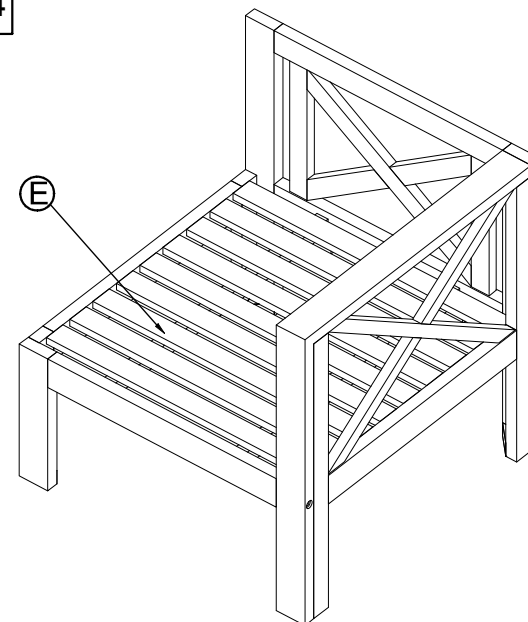


STEP 3/ÉTAPE 3

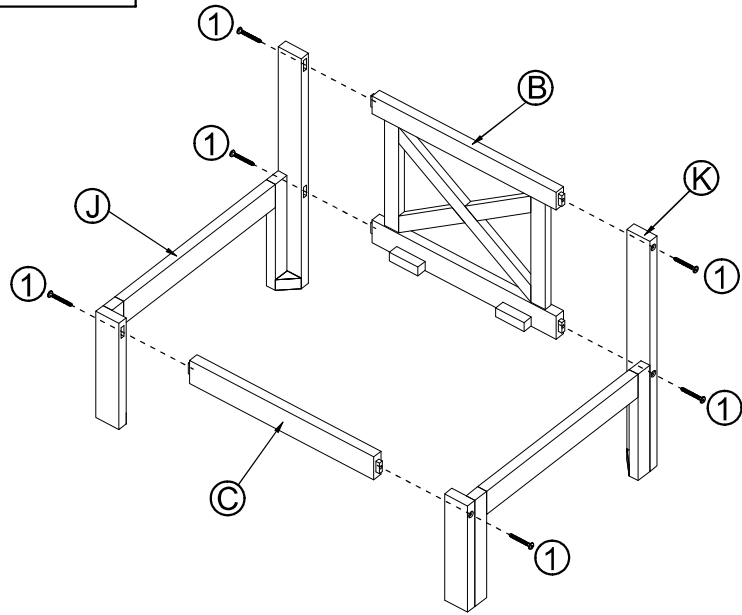


① *6

STEP 4/ÉTAPE 4

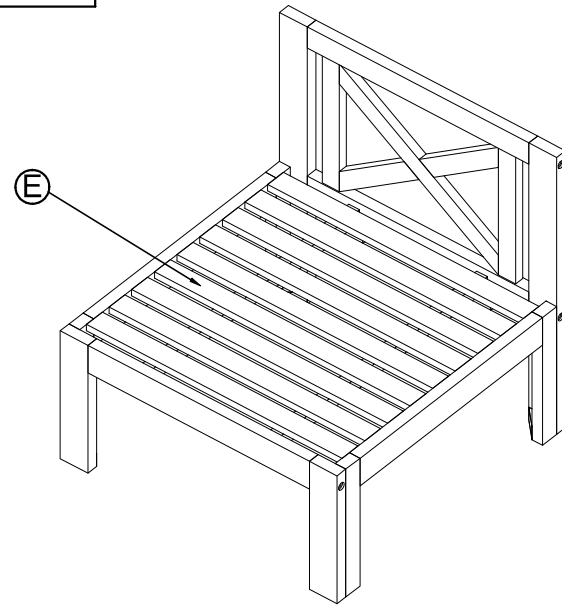


STEP 5/ÉTAPE 5

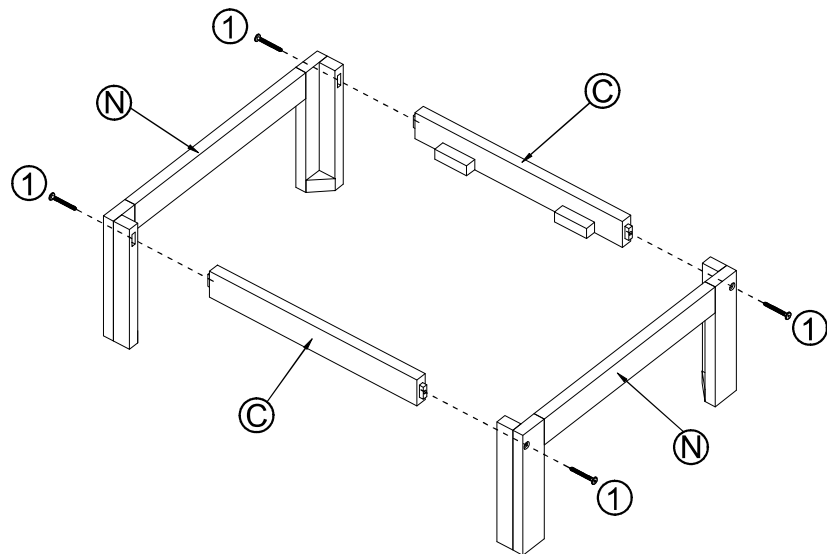


① *6

STEP 6/ÉTAPE 6

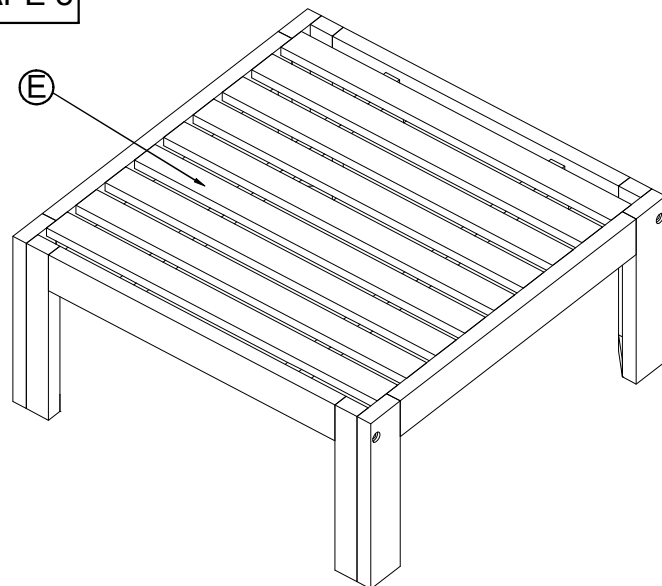


STEP 7/ÉTAPE 7

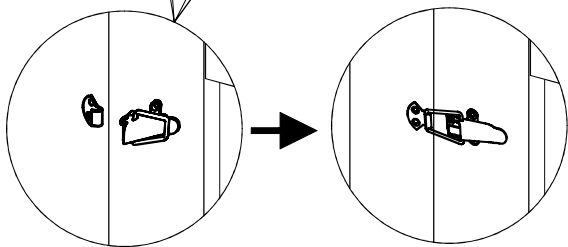
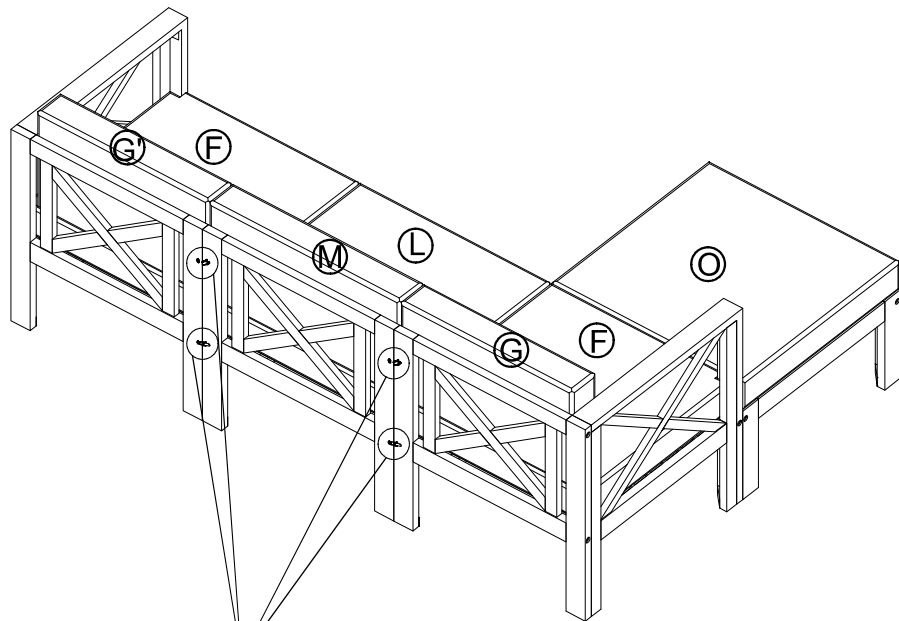


① *4

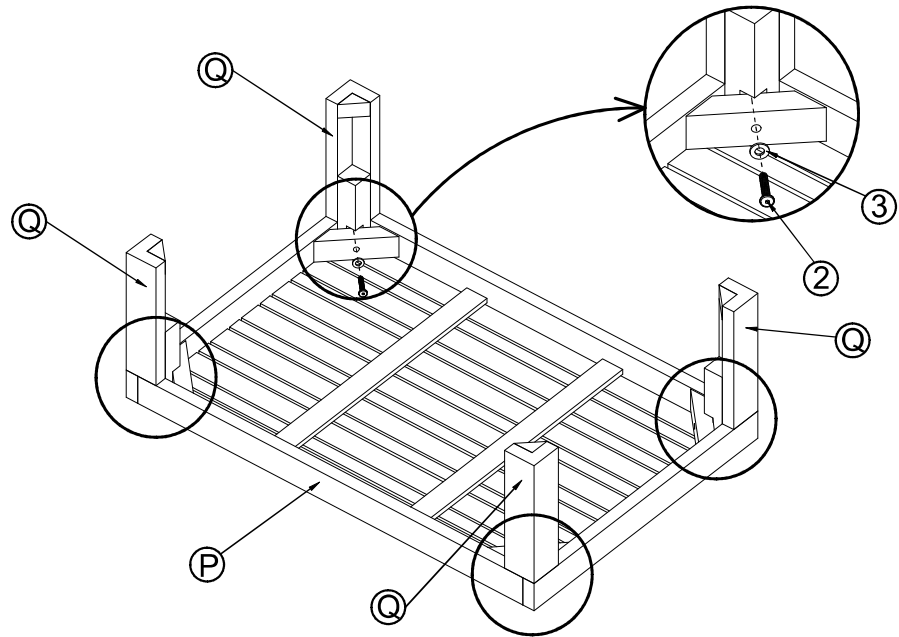
STEP 8/ÉTAPE 8



STEP 9/ÉTAPE 9



STEP 10/ÉTAPE 10



- ② *4
- ③ *4