

ASSEMBLY INSTRUCTION

ITEM # : BED SIDE TABLE

Thank you for purchasing this quality Product. Be sure to check all packing material carefully for small parts, which may have come loose inside carton during shipment identify and count all parts and compare with the parts list below.

ASSEMBLY INSTRUCTION :

1. Remove hardware from box and sort by size.
2. Please check to see that all hardware and parts are present prior start of assembly.
3. Please follow attached instruction in the same sequence as numbered assure fast and easy assembly.

WARNING !

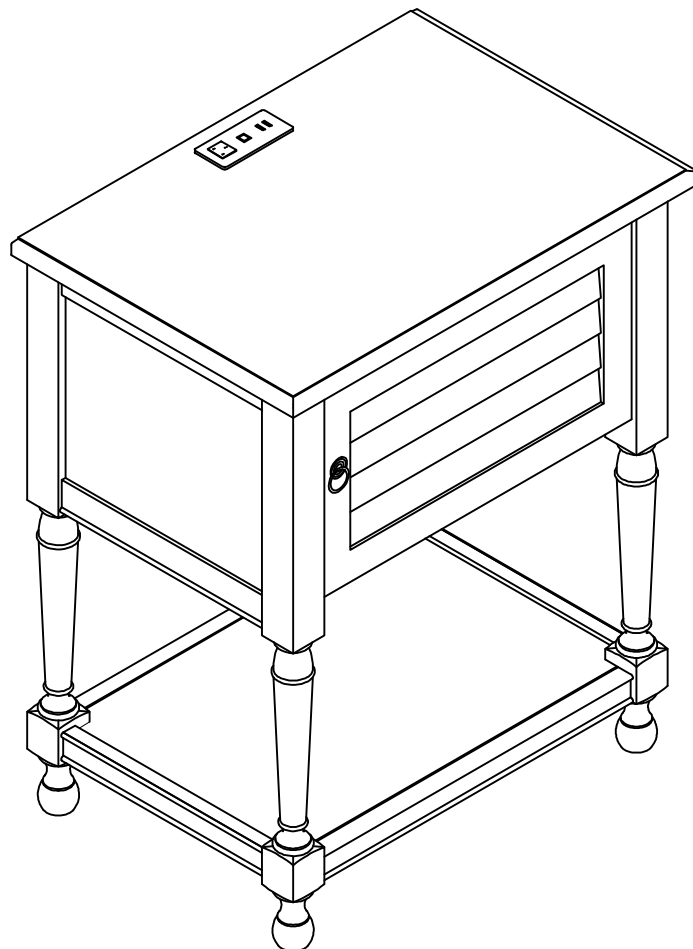
1. Don't attempt to repair or modify parts that are broken or defective. Please contact the store immediately.
2. This product is for home use only and not intended for commercial establishments.
3. Two persons are required for assembly.
4. Approximate assembly time 1/2 hours.
5. Component parts and fittings contained in the box. Please sort out all parts before you begin to assemble the item. This is to make sure you always use the correct part.
6. It is **STRONGLY RECOMMENDED** that you **ANCHOR** this product. Tipping furniture can cause serious injuries and death. To prevent your furniture from tipping forward it is strongly recommended that you securely attach this product to a wall or other solid surface, using the anchor straps provided appropriate fixings.

CONTACT US

Thank you for purchasing and using our products. If you have any questions in the process of installation and use, you can contact us and we will serve you.

E-Mail : wmcsr@comptree.net

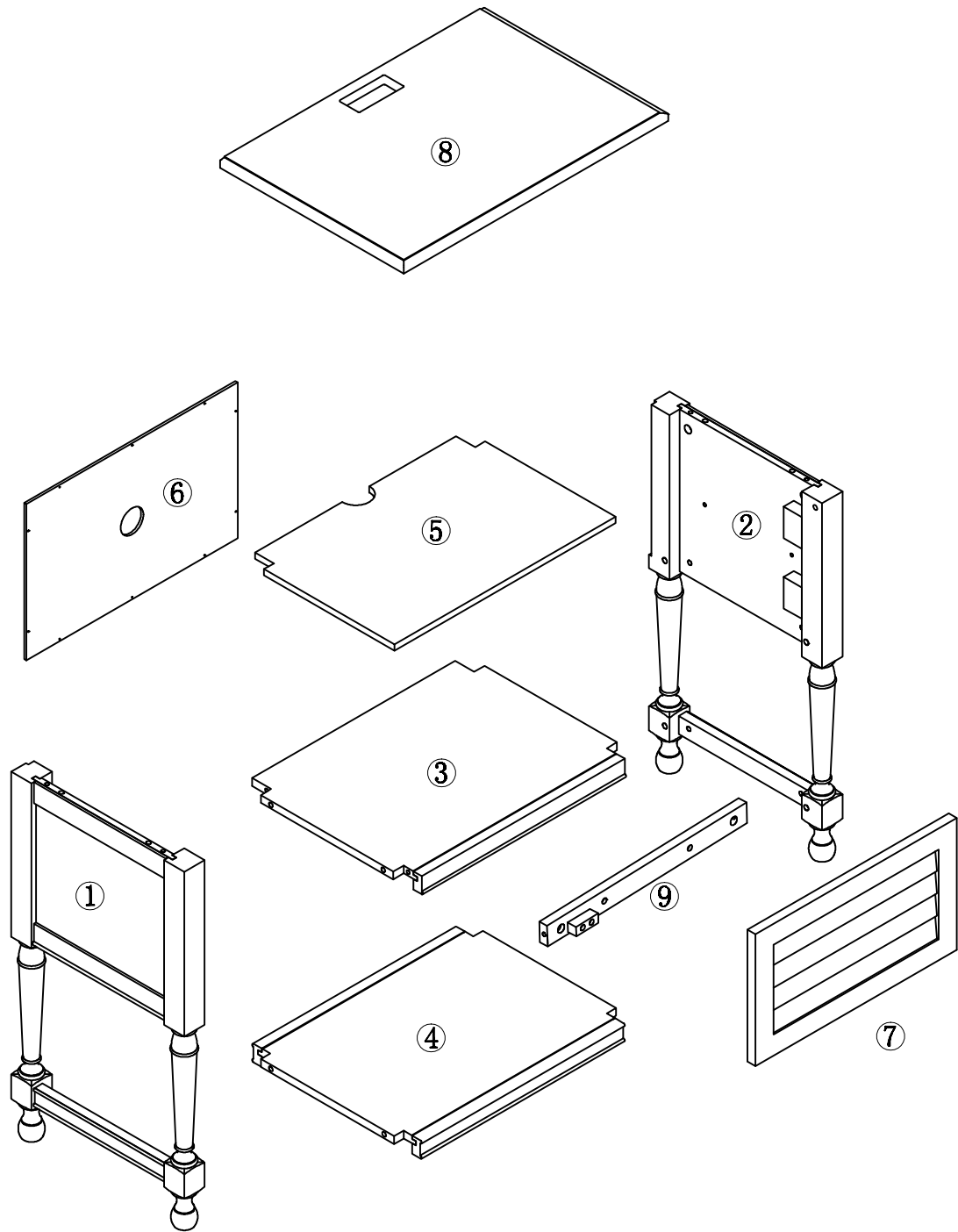
Tel : 626-912-8886 Ext.100



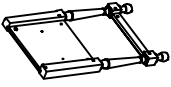
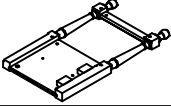




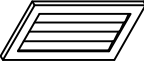
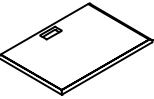
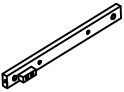
If you have any questions, please feel free to contact us.

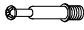


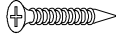
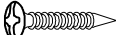



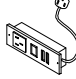
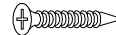


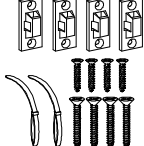
Email: service@qualfurn.net

Detail View - BED SIDE TABLE

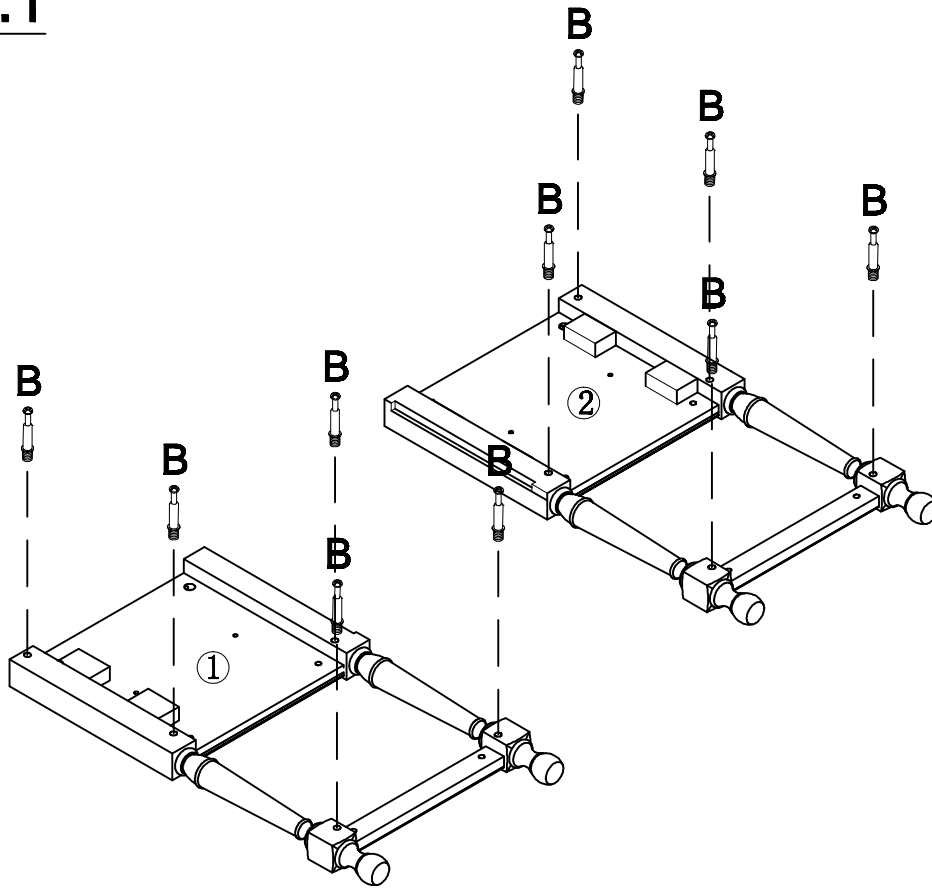


Part List

No.	Component	Q'ty
①	 Left side box	1
②	 Right side box	1
③	 Laminate	1
④	 Cabinet bottom plate	3
⑤	 Movable Shelf	1
⑥	 Backplane	1
⑦	 door plank	1
⑧	 Cabinet panel	1
⑨	 Front upper cross plate	1

No.	Component	Q'ty
A	 $\varnothing 6 \times 35 \text{mm}$ Three in one bolts	14
B	 $\varnothing 14.5 \times 12 \text{mm}$ Three in one lock	14
C	 Damping hinge	2
D	 $\varnothing 7 \times \varnothing 3.5 \times 15 \text{mm}$ SCREW	12
E	 $\varnothing 8 \times \varnothing 4 \times 25 \text{mm}$ SCREW	2
F	 $\varnothing 8 \times 30 \text{mm}$ Wood dowel	12
H	 $\varnothing 5/32" \times 20 \text{mm}$ screw	1
J	 handle	1
K	 Socket	1
L	 $\varnothing 7 \times \varnothing 3.5 \times 15 \text{mm}$ screw	2
M	 Shelf supports	4
N	 $\varnothing 7 \times \varnothing 3.5 \times 12 \text{mm}$ screw	10
O	 Anti fall hardware	1set

STEP:1

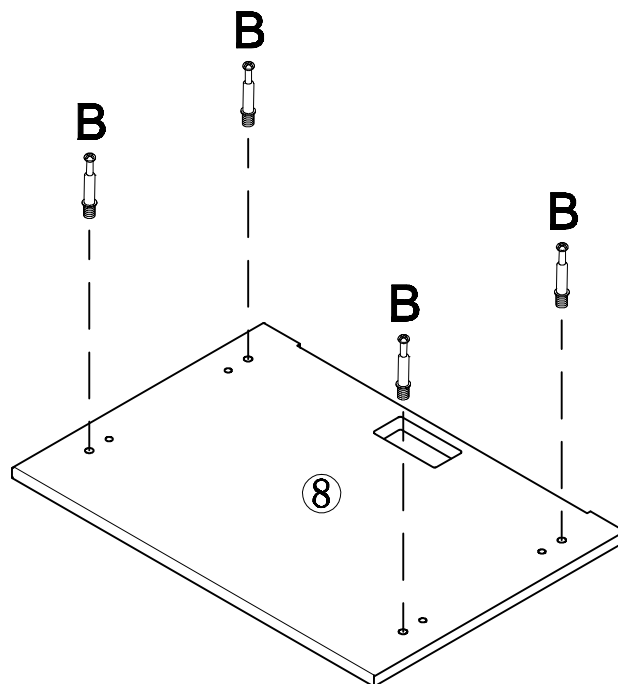


B



10PCS

STEP:2

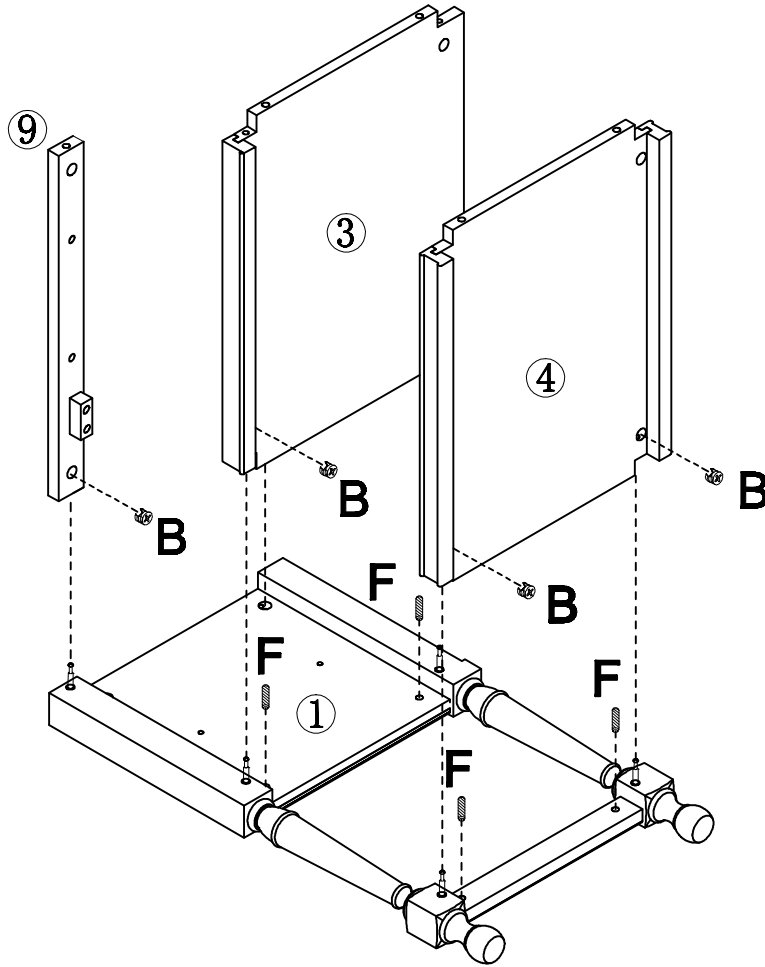



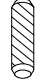
B



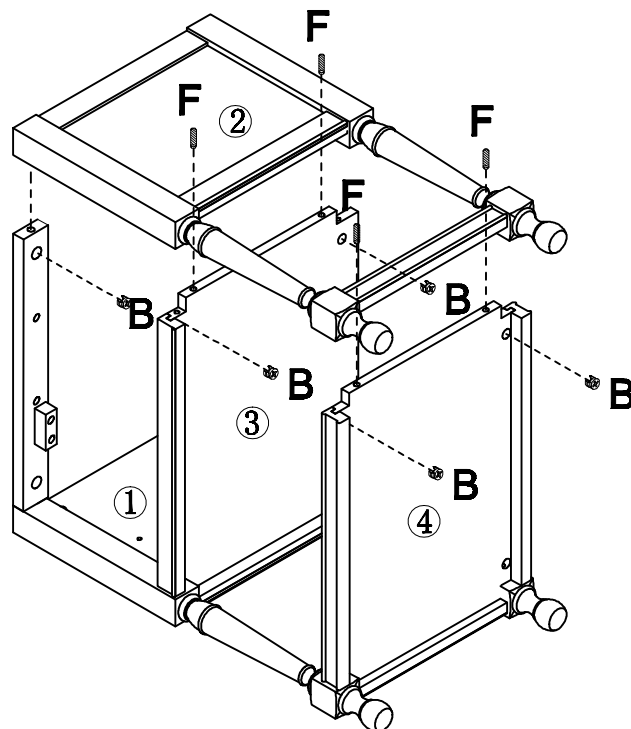
4PCS


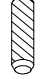
STEP:3




B		F	
5PCS		4PCS	

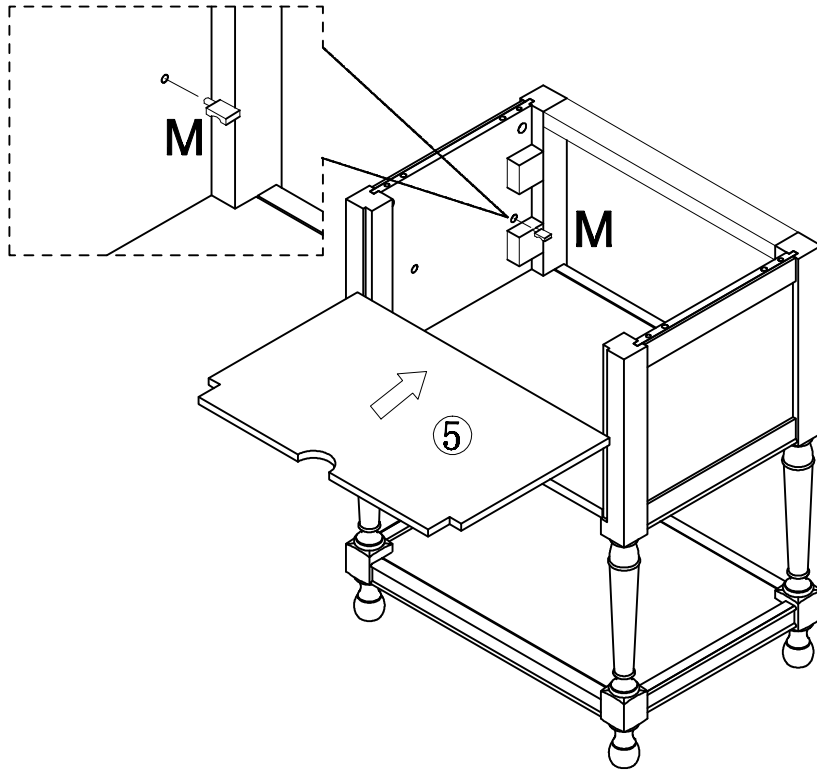
STEP:4





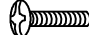
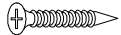
B		F	
5PCS		4PCS	

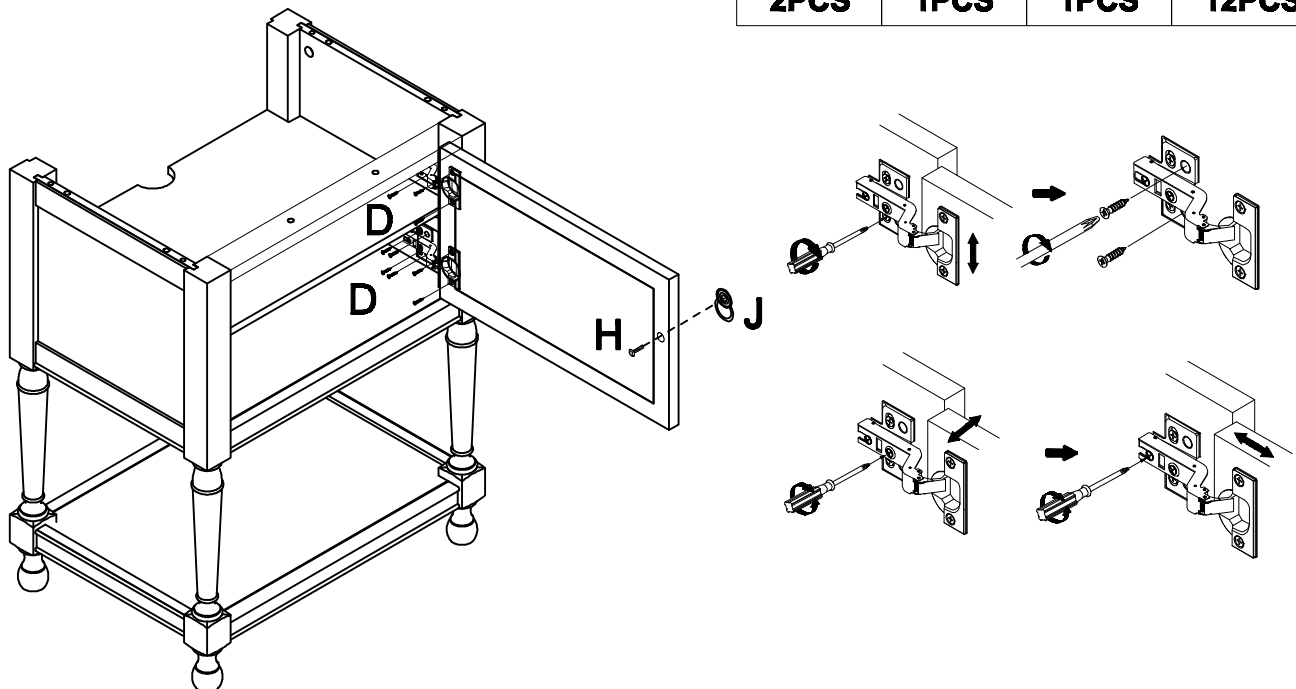
STEP:5

M

4PCS






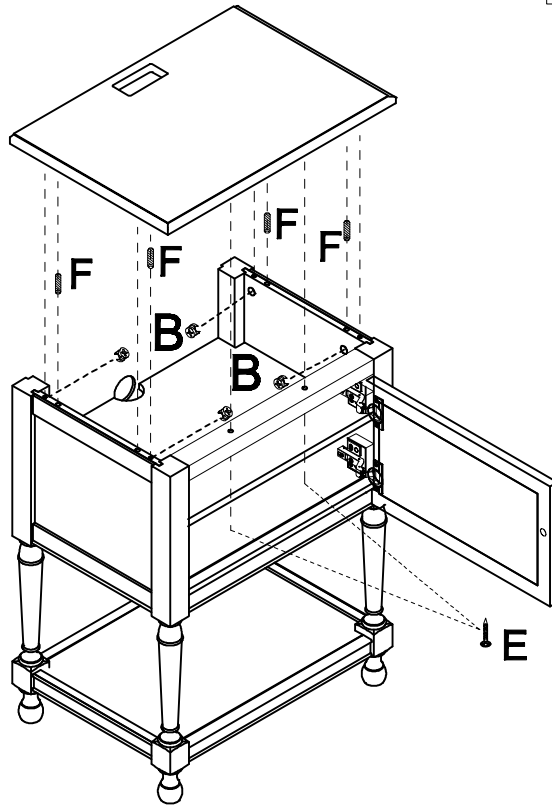
STEP:6

C	J	H	D
			
2PCS	1PCS	1PCS	12PCS




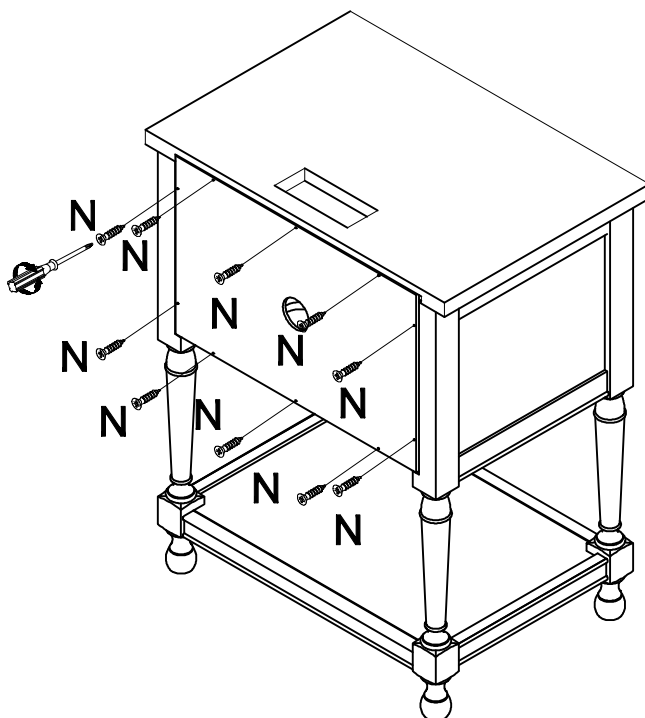
STEP:7

E	B	F
		
2PCS	4PCS	4PCS

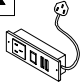
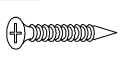


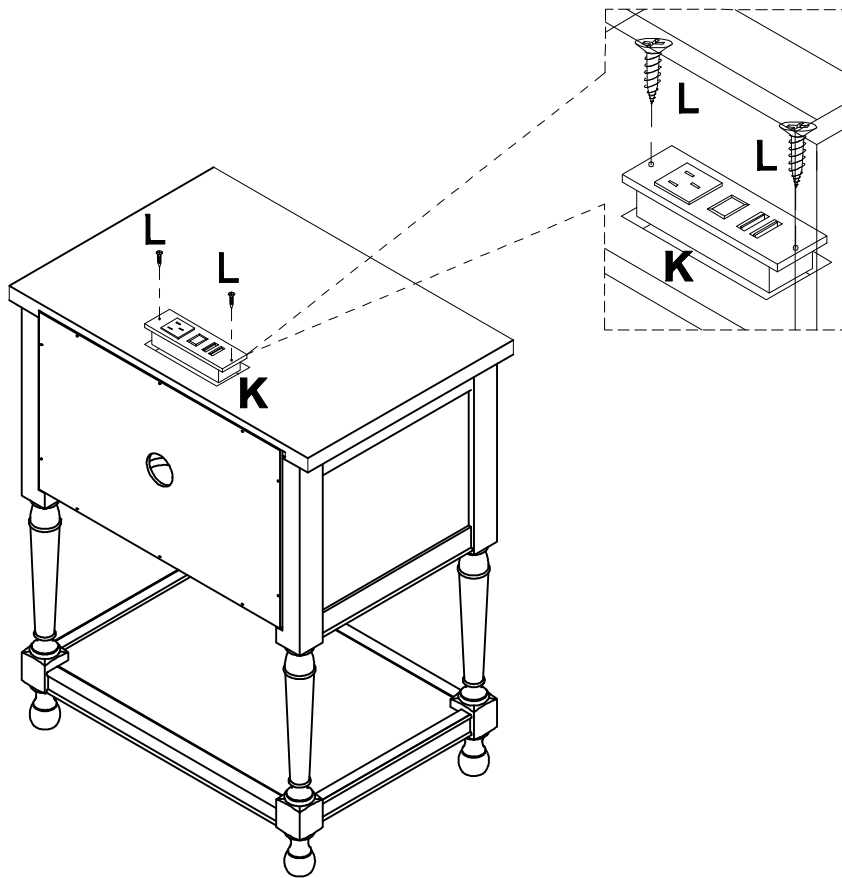
STEP:8

N

10PCS



STEP:9

K		L	
1PCS		2PCS	



STEP:10

