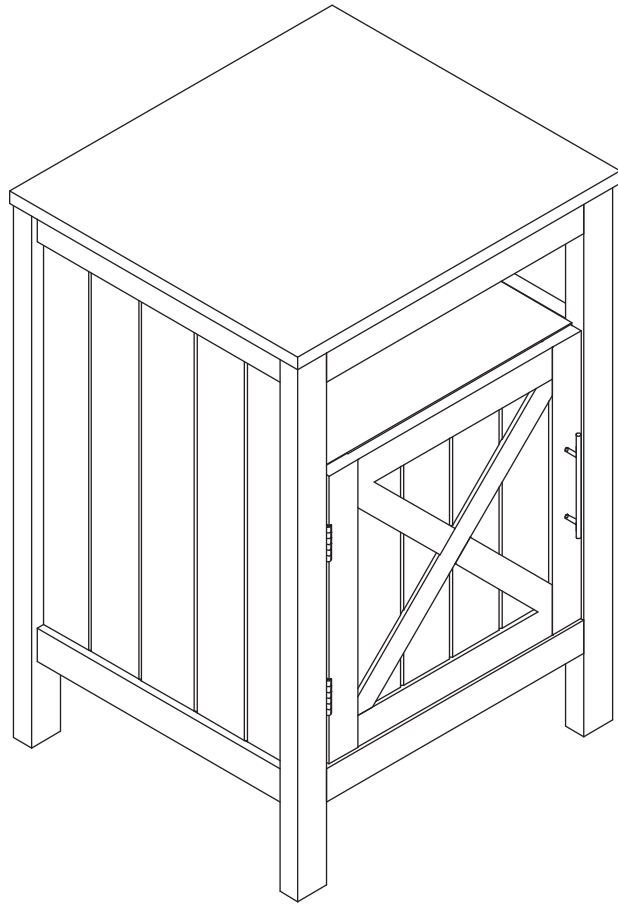


NIGHTSTAND

Assembly Instructions



Product Refs-HM-ST008-001

Imported By: Forward Industries, 33401. U.S.A

Issue 1 -14/12/20

Safety and Care Advice

1. The maximum weight that can be placed on this product is 110lbs.
2. This product must not be used as a seat.
3. Check carefully to ensure correct and complete assembly before using.
4. Don't allow children to play near the product as their behaviour is unpredictable. The manufacturer is not responsible for loss, injury, or damage due to improper actions or use.
5. Do not use corrosive or abrasive materials near the product. Please ensure that the cleaner used will not pollute the environment.
6. Cleaning should not be attempted by children without supervision.
7. Please make sure there are no hazard sources in your operating environment. e.g., do not leave tools around. Always be careful to dispose of the packaging materials in order to avoid any possible danger, e.g. plastic bags may lead to choking hazard to children.
8. We recommend you keep the original packaging of the item in case of the need for return or future transportation.
9. Do not use outdoors. **SAVE THESE INSTRUCTIONS.** For Household use only.



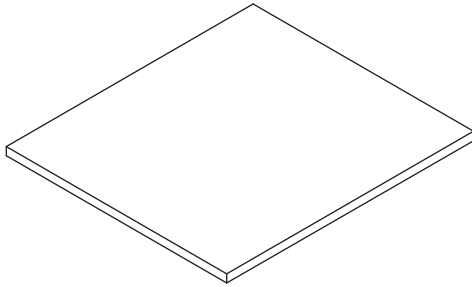
2 PERSON ASSEMBLY



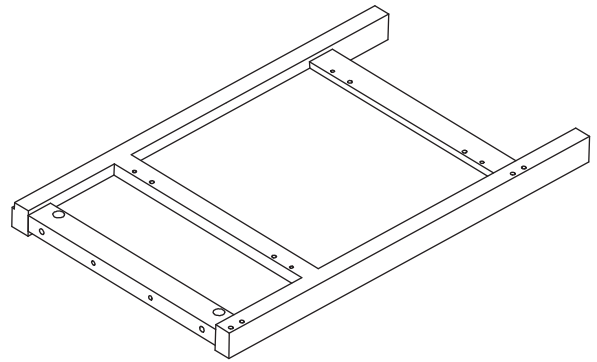
**APPROXIMATE 1 HOUR
ASSEMBLY TIME**

Main Components

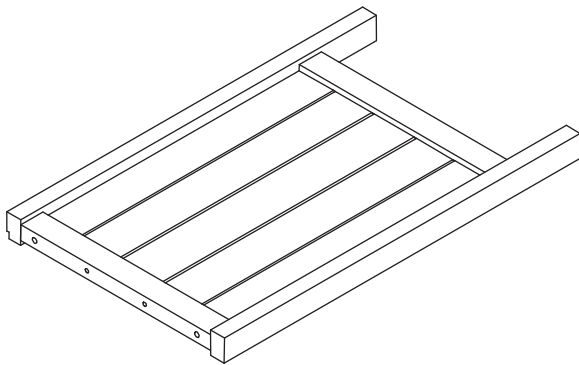
Please check you have all the parts listed below



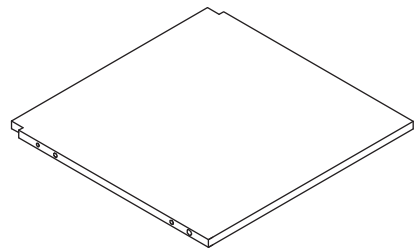
1 Top Panel Qty 1
(17.51×15.74×0.59")



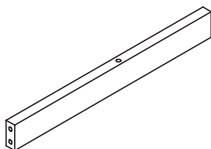
2 Side Panel (Left) Qty 1
(14.68×1.57×0.59")



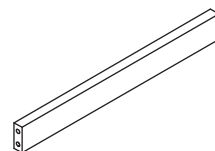
3 Side Panel (Right) Qty 1
(14.68×1.57×0.59")



4 Base Panel Qty 1
(14.76×14.56×0.59")



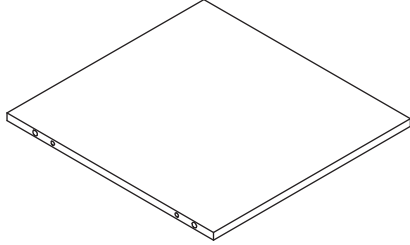
5 Top Stretcher Qty 1
(14.68×1.57×0.59")



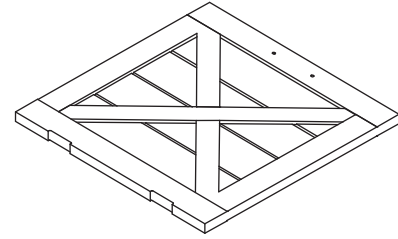
6 Bottom Stretcher Qty 1
(14.68×1.57×0.59")

Main Components

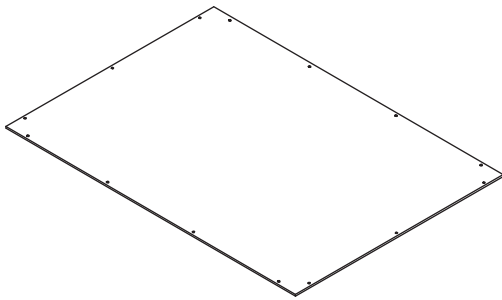
Please check you have all the parts listed below



7 Shelf Qty 1
(14.68×13.97×0.47")



8 Door Qty 1
(13.77×13.7×0.59")

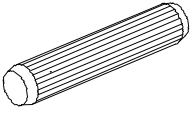
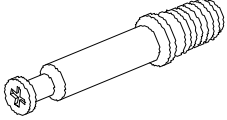

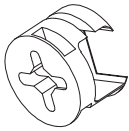
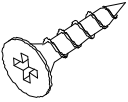
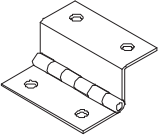
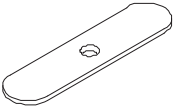
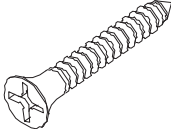
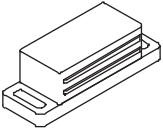
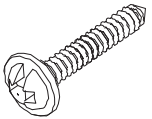
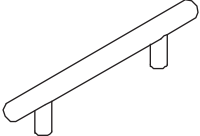
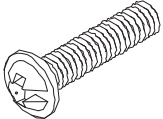


9 Back Panel Qty 1
(14.68×20.86×0.11")

Fixings, Fittings And Tools

Please check you have all the fittings listed below

Note: The quantities below are the correct amount to complete the assembly. In some cases more fittings may be supplied than are required.

<p>A</p>  <p>Wooden Dowel Qty 22 (M6×1.18")</p>	<p>B</p>  <p>Large Cam Dowel Qty 12 (M5×1.41")</p>	<p>C</p>  <p>Large Cam Nut Qty 8 (M15×0.47")</p>
<p>D</p>  <p>Small Cam Nut Qty 4 (M15×0.37")</p>	<p>F</p>  <p>Screw Qty 9 (M3×0.39")</p>	<p>G</p>  <p>Hinge Qty 2 (16.14"×5.9")</p>
<p>H</p>  <p>Metal Plate Qty 1 (1.37"×0.39")</p>	<p>I</p>  <p>Screw Qty 2 (M3×0.51")</p>	<p>J</p>  <p>Magnetic Catch Qty 1 (1.77"×0.7")</p>
<p>K</p>  <p>Screw Qty 14 (M2.5×0.39")</p>	<p>L</p>  <p>Handle Qty 1 (5.9"×0.78")</p>	<p>M</p>  <p>Screw Qty 2 (M4×0.62")</p>

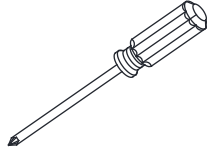
If you have questions regarding the operation of your purchase, or in the unlikely event you need to return the unit because it is faulty or is no longer wanted, please contact our product returns department at customerservice@forwardindustries.com, or 561-465-0030, Option 0.

Address: Forward Industries, 105 South Narcissus Avenue Suite 412, West Palm Beach, FL 33401

Fixings, Fittings And Tools

Please check you have all the fittings listed below

Note: The quantities below are the correct amount to complete the assembly. In some cases more fittings may be supplied than are required.



Screwdriver
(Not supplied)

If you have questions regarding the operation of your purchase, or in the unlikely event you need to return the unit because it is faulty or is no longer wanted, please contact our product returns department at customerservice@forwardindustries.com, or 561-465-0030, Option 0.

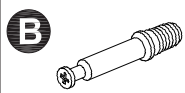
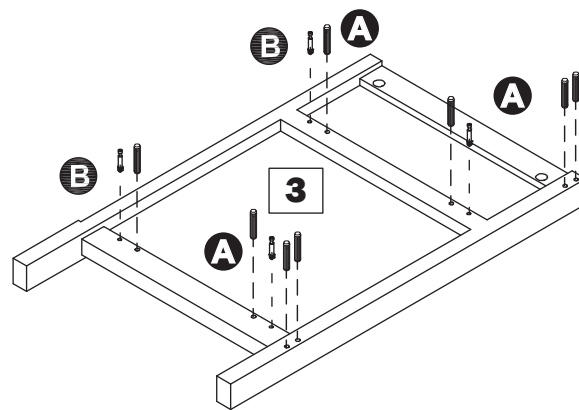
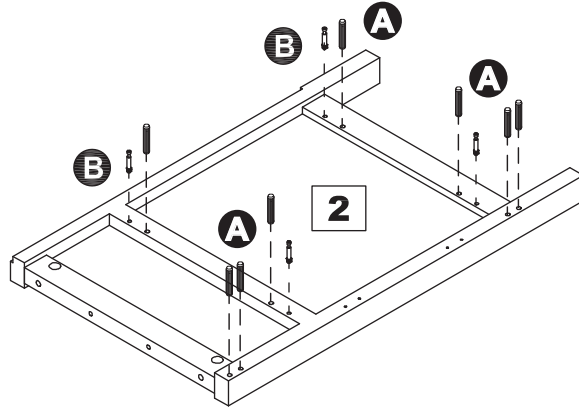
Address: Forward Industries, 105 South Narcissus Avenue Suite 412, West Palm Beach, FL 33401

Assembly Steps

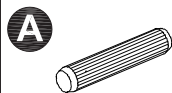
STEP 1

Fit large cam dowels **B** to side panels **2** and **3**.

Fit wooden dowels **A** into side panels **2** and **3** as shown.



Large Cam Dowel Qty 8

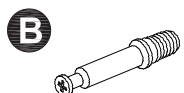
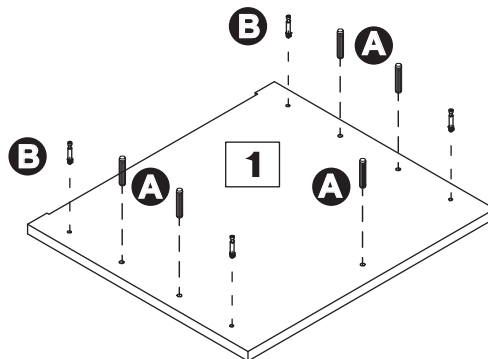


Wooden Dowel Qty 16

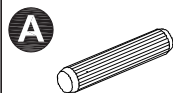
STEP 2

Fit small cam dowels **B** to top panel **1**.

Fit wooden dowels **A** into top panel **1** as shown.



Small Cam Dowel Qty 4



Wooden Dowel Qty 5

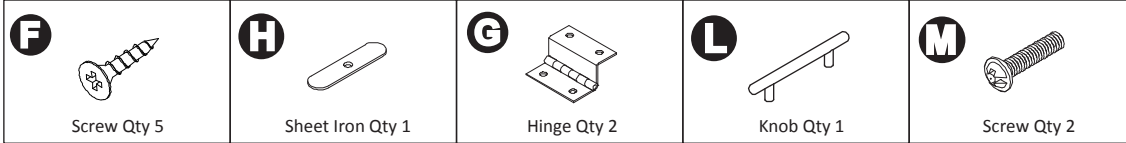
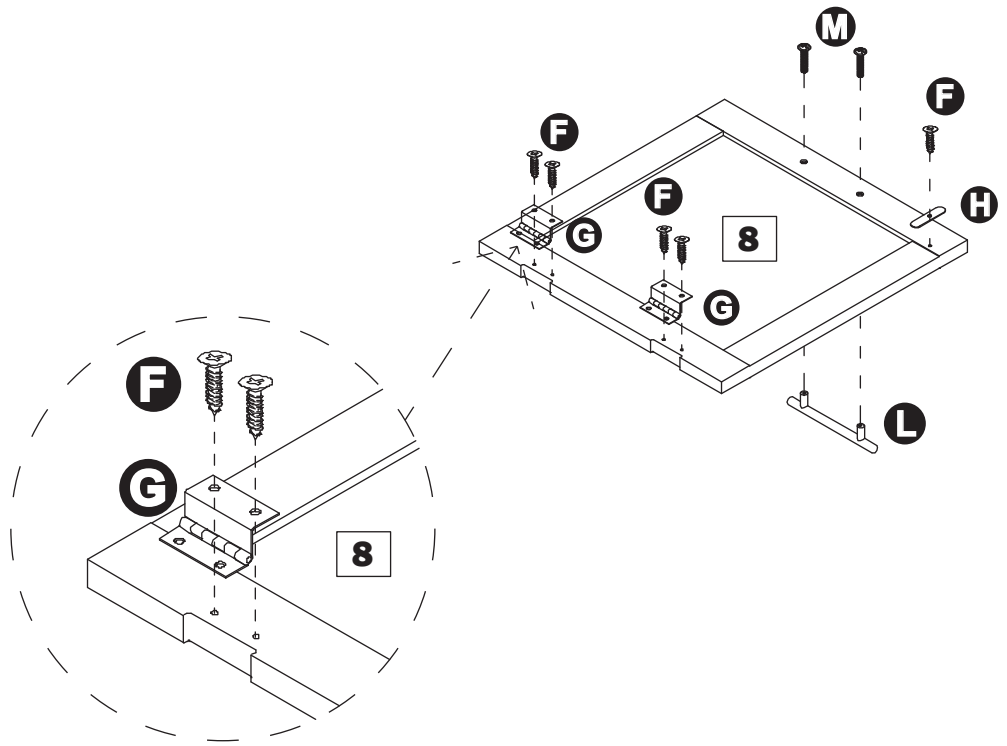
Assembly Steps

STEP 3

Fit hinges **G** to door **8** using screws **F**.

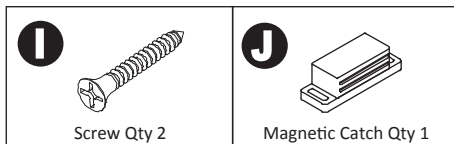
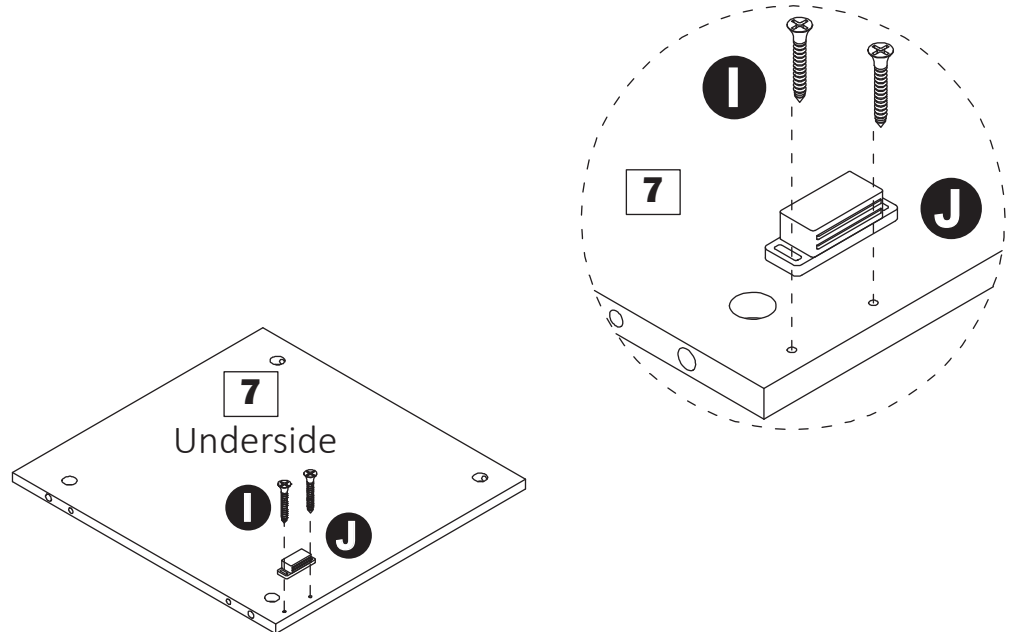
Fit metal plate **H** to door using screws **F**.

Fit handle **L** to door using screws **M**.



STEP 4

Fit magnetic catch **J** to the underside of shelf **7** using screws **I**.



Assembly Steps

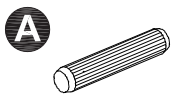
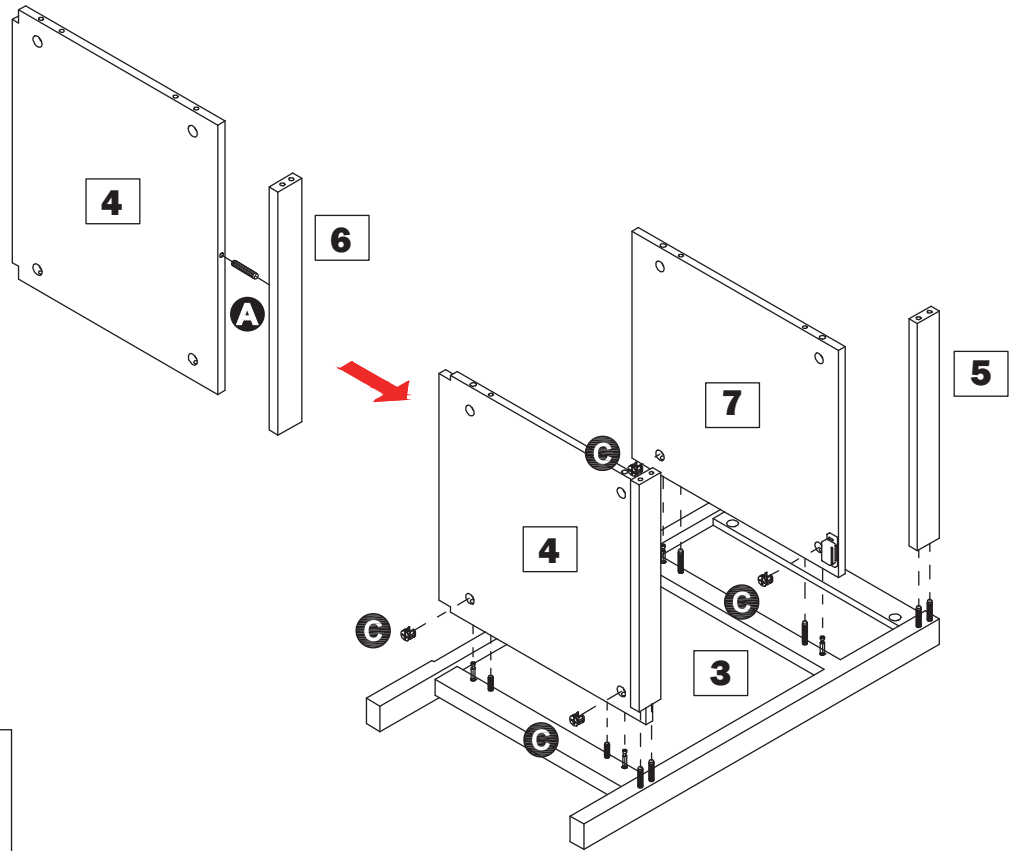
STEP 5

Locate bottom stretcher **6** onto base panel **4** using wooden dowel **A**.

Fit small cam nuts **C** into base panel **4** and shelf **7** as shown.

Locate base panel **4** and shelf **7** into position on side panel **3** and secure by tightening cam locks.

Locate top stretcher **5** into position.



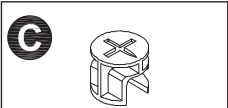
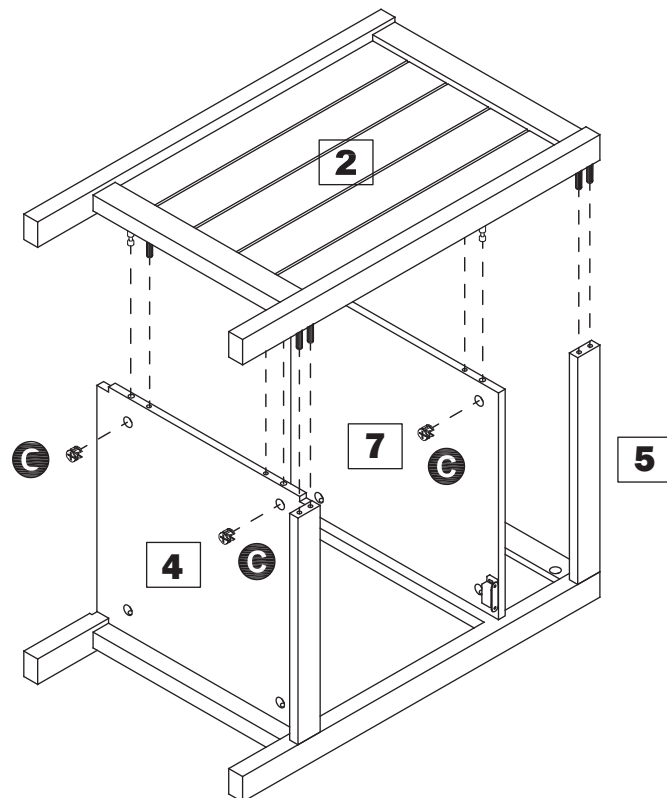
Wooden Dowel Qty 1



Large Cam Nut Qty 4

STEP 6

Repeat step 5 to assemble side panel **2**.



Large Cam Nut Qty 4

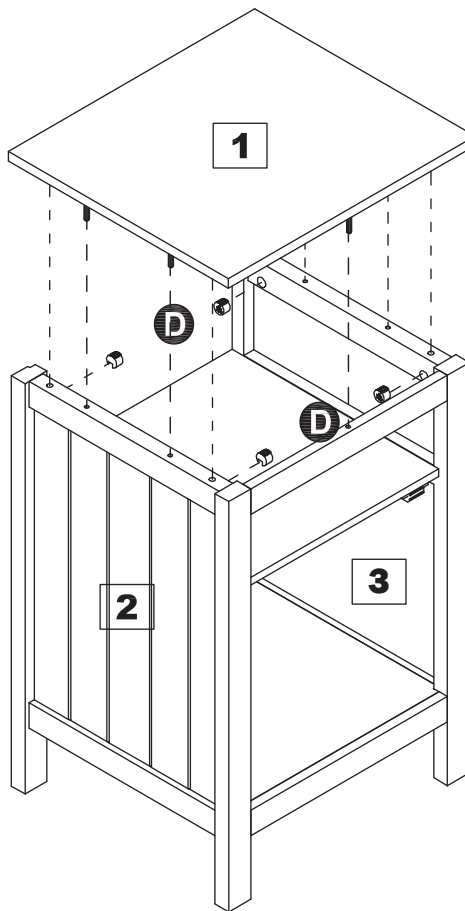
Assembly Steps

STEP 7

With help, stand the unit upright.

Locate small cam nuts **D** into side panels **2** and **3**.

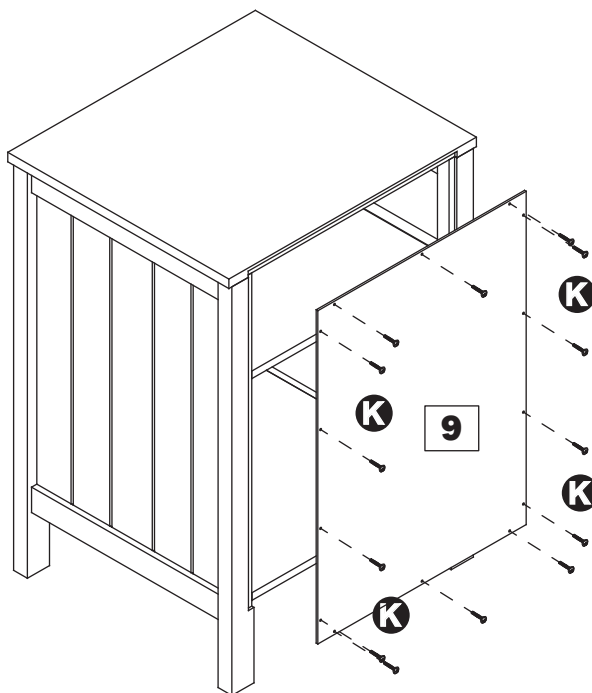
Carefully align top panel **1** and secure by tightening the cam nuts.



Small Cam Nut Qty 4

STEP 8

Assemble back panel **9** using screws **K**.

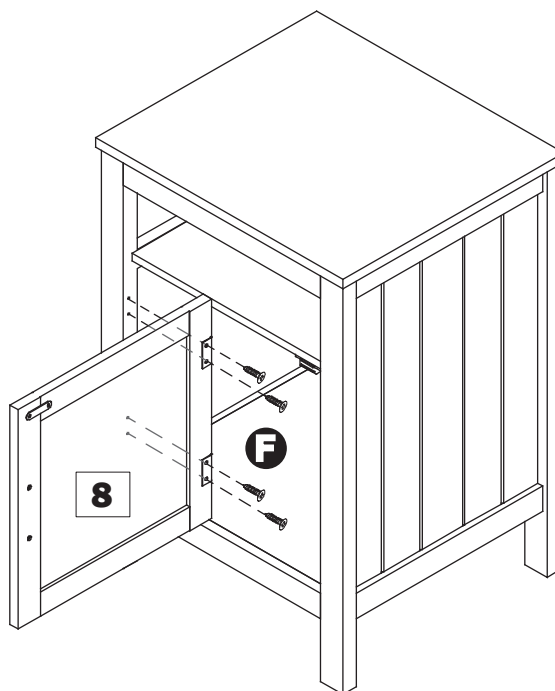


Screw Qty 14

Assembly Steps

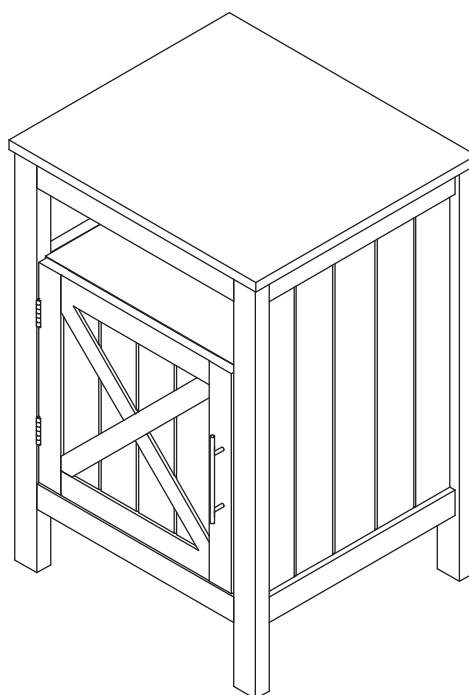
STEP 9

Assemble door **8** to unit using screws **F**.



STEP 10

Assembly is complete.



After Sales Support / Product Returns

If you have questions regarding the operation of your purchase, or in the unlikely event you need to return the unit because it is faulty or is no longer wanted, please contact our product returns department at **customerservice@forwardindustries.com, or 561-465-0030, Option 0.**

Address: **Forward Industries, 105 South Narcissus Avenue Suite 412, West Palm Beach, FL 33401**