

ASSEMBLY INSTRUCTIONS

ITEM #: WF305237

If you have any questions, please feel free to contact us.
Email: lowes.team@qualfurn.net

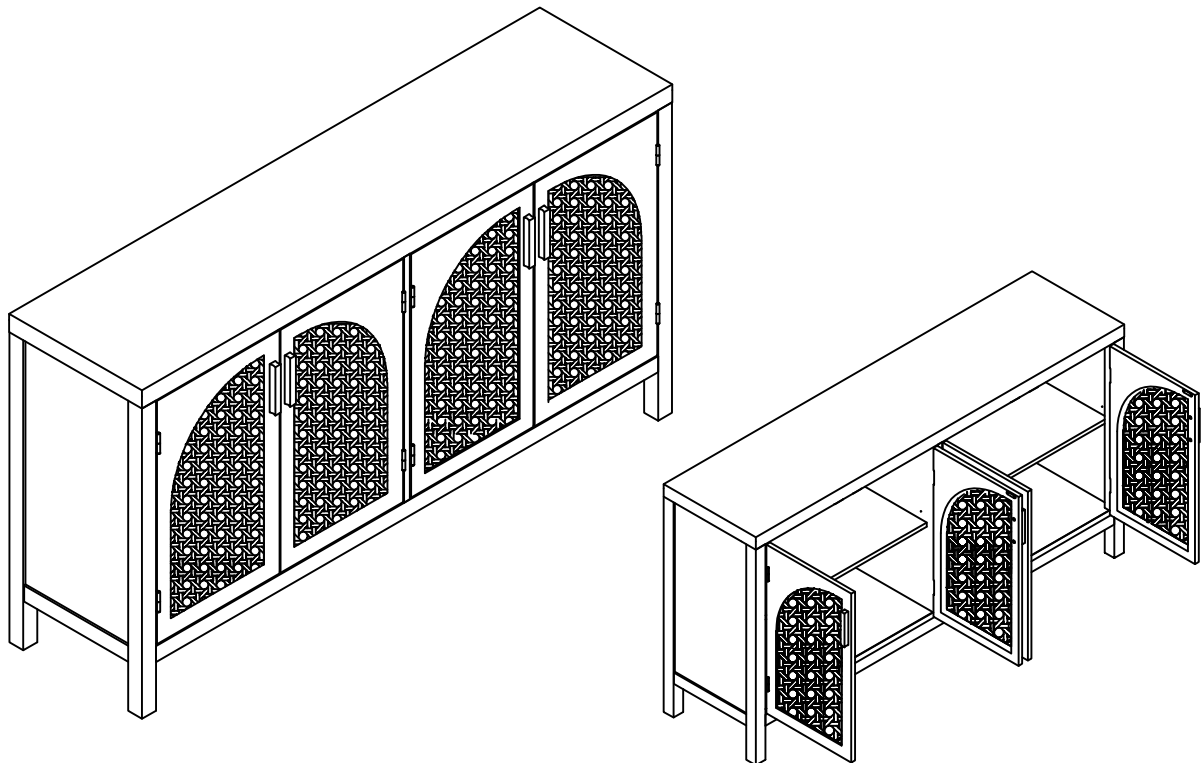
Thank you for purchasing this quality product. Be sure to check all packing material carefully for small Hardware which may have come loose inside the carton during shipment. Identify and count all hardware and compare with the hardware list below

ASSEMBLY INSTRUCTION :

1. Remove hardware from box and sort by size.
2. Please check to see that all hardware and parts are present prior start of assembly.
3. Please follow attached instruction in the same sequence as numbered to assure fast and easy.

WARNING !

1. Don't attempt to repair or modify parts that are broken or defective. Please contact the store immediately.
2. This product is for home use only and not intended for commercial establishments.
3. Two persons are required for assembly.
4. Approximate assembly time: 1/2 hours
5. Component parts and fittings contained in the box.
Please sort out all parts before you begin to assemble the item.
This is to make sure you always use the correct part
6. It is **STRONGLY RECOMMENDED** that you **ANCHOR** this product.
Toppling furniture can cause serious injuries and death.
This product has not been fitted with an anchor strap.
To prevent your furniture from tipping forward it is strongly recommended that you securely attach this product to a wall or other solid surface, using the anchor straps provided and appropriate fixings.



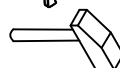
TOOLS NEEDED: Phillips Screwdriver



Wall Drill

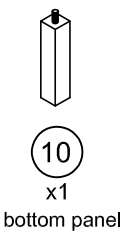
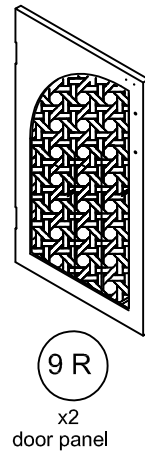
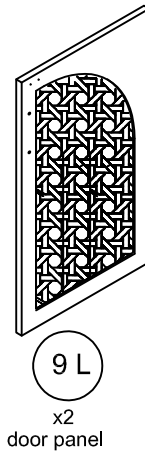
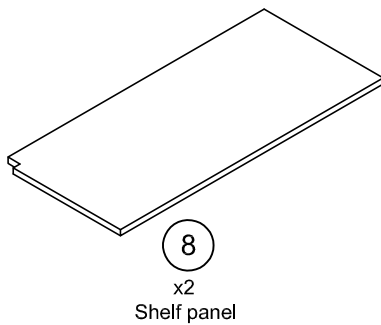
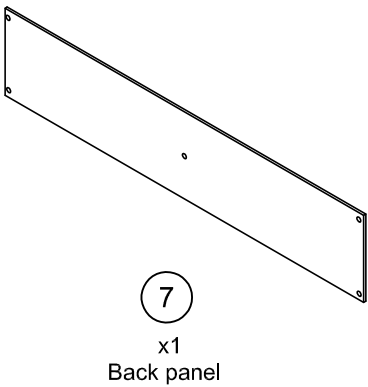
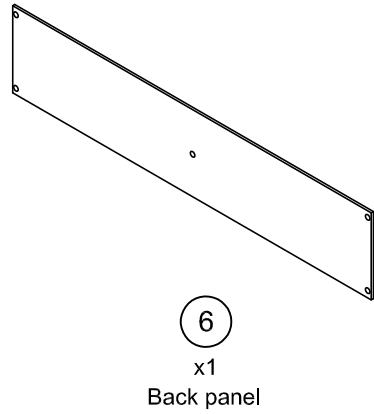
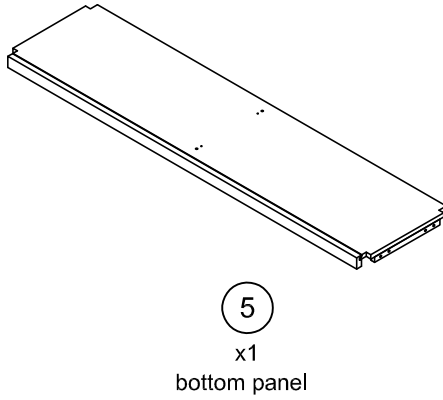
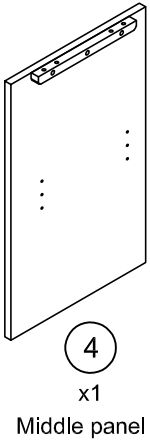
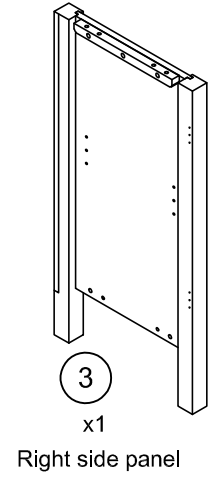
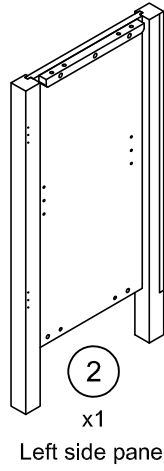
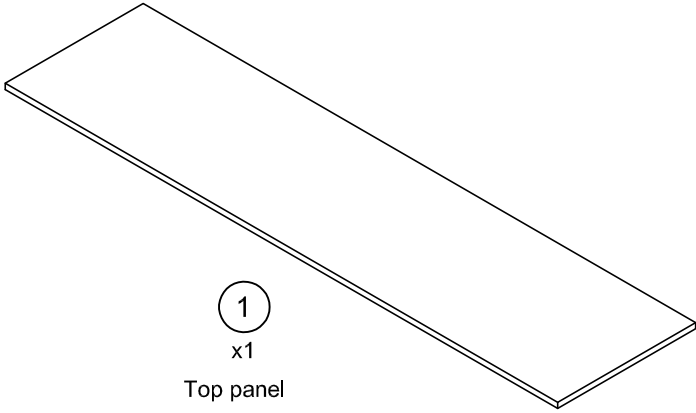


Hammer



ASSEMBLY INSTRUCTIONS

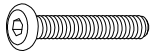
PART LIST



ASSEMBLY INSTRUCTIONS

HARDWARE LIST

1/4 Φ12* 1



(A)

x18
Bolts

Φ13* 1mm



(B)

x18
Flat Washer

Φ10* 1mm



(C)

x18
Spring Washer

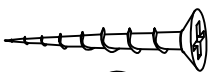
4mm



(D)

x1
Allen Key

Φ8*1-1/4



(E)

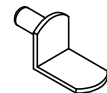
x4
Screws

Φ8*3/4



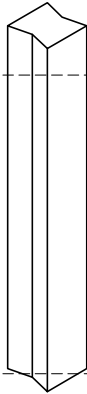
(F)

x12
Dowels



(G)

x8
Shelf supports



(H)

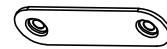
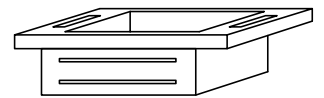
x4
Handles

5/32"* 3/4"



(I)

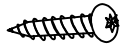
x8
handle bolts



(J)

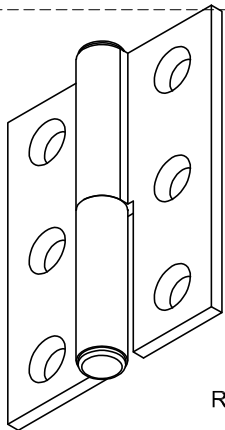
x4
Door Sniff

Φ6*5/8



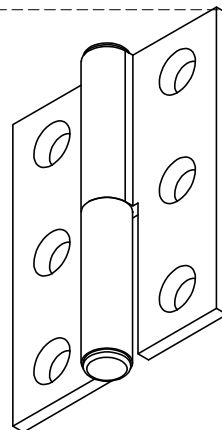
(K)

x16
Screws



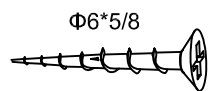
(L)

x4
Right Hinges



(M)

x4
Left Hinges



Φ6*5/8

(N)

x48
Screws

Anti-recline hardware



x2

Long screw



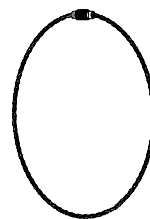
x2

Short screw



x4

Metal bracket



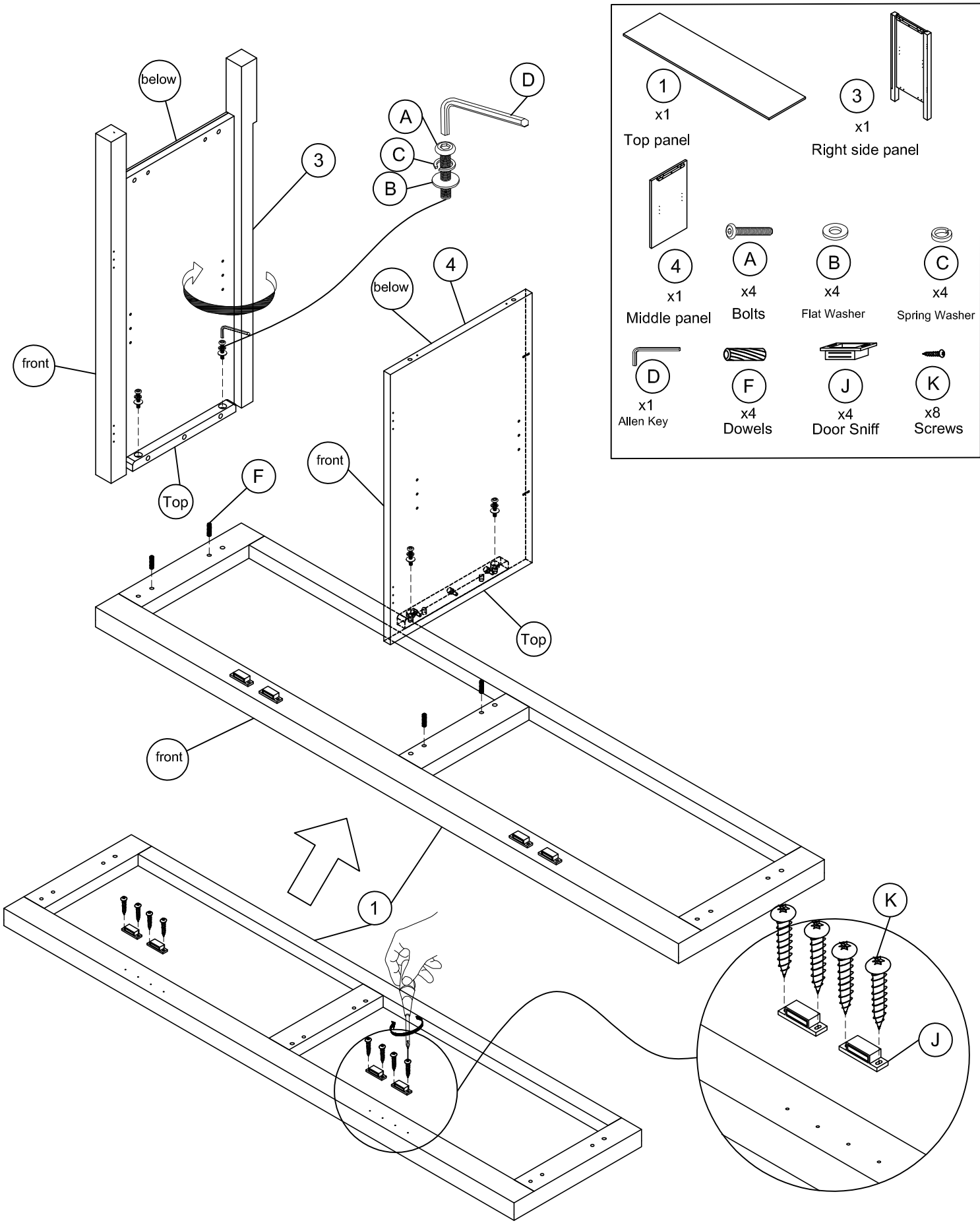
x2

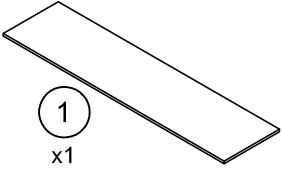









Steel cable

ASSEMBLY INSTRUCTIONS

ITEM #: WF305237

STEP 1

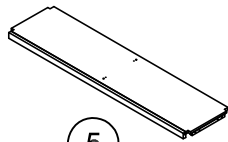
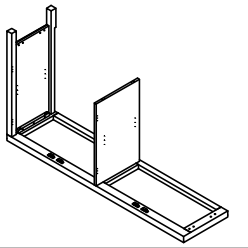
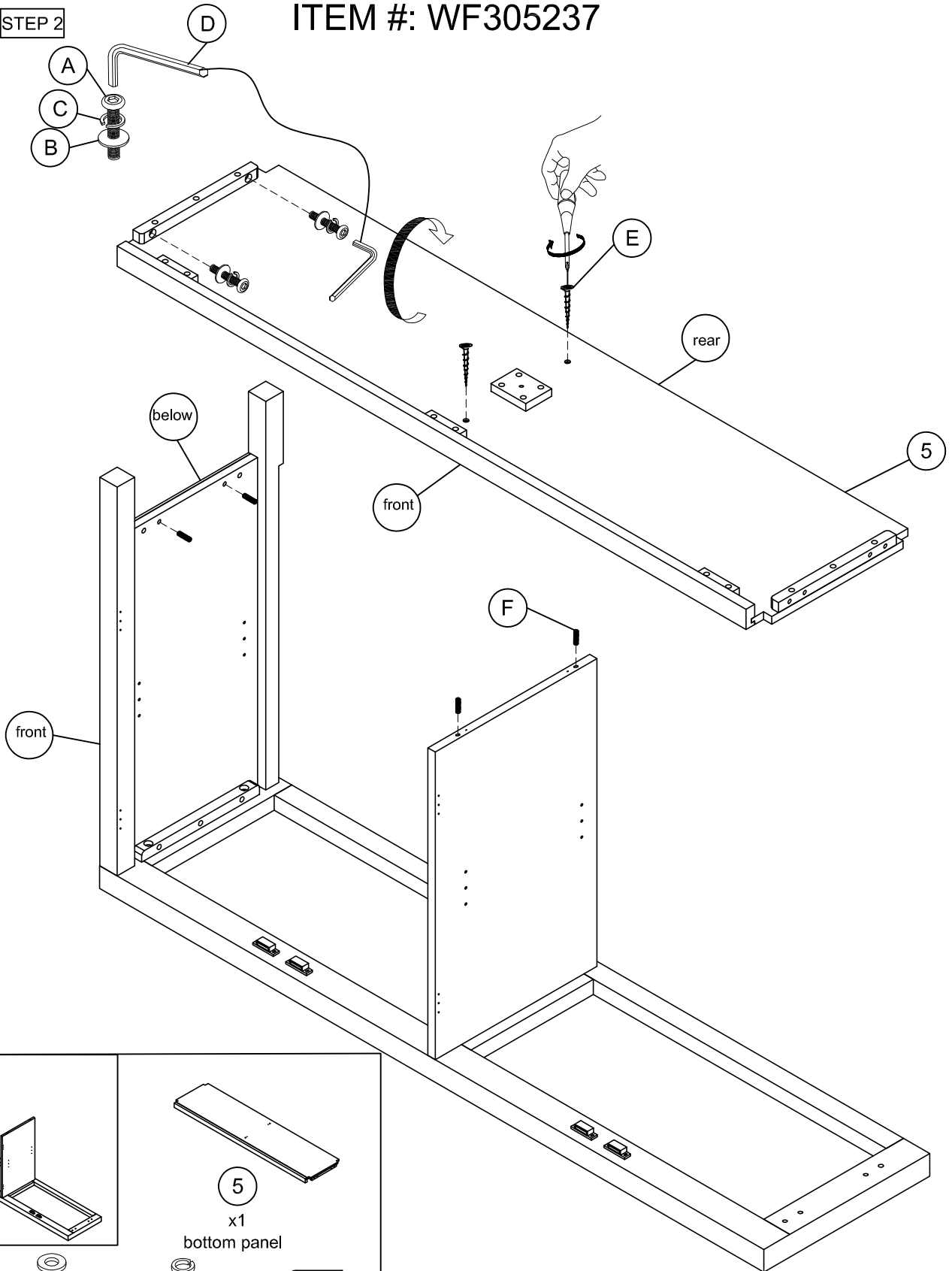


			
1 x1 Top panel	3 x1 Right side panel		
			
4 x1 Middle panel	A x4 Bolts	B x4 Flat Washer	C x4 Spring Washer
			
D x1 Allen Key	F x4 Dowels	J x4 Door Sniff	K x8 Screws

ASSEMBLY INSTRUCTIONS

ITEM #: WF305237

STEP 2



5

x1

bottom panel



A

x2

Bolts



B

x2

Flat Washer



C

x2

Spring Washer



D

x1

Allen Key



F

x4

Dowels



E

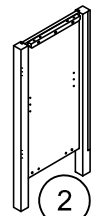
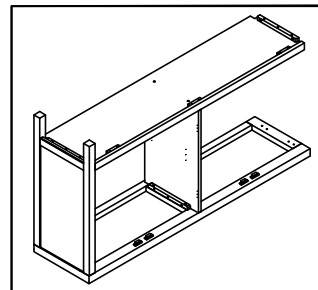
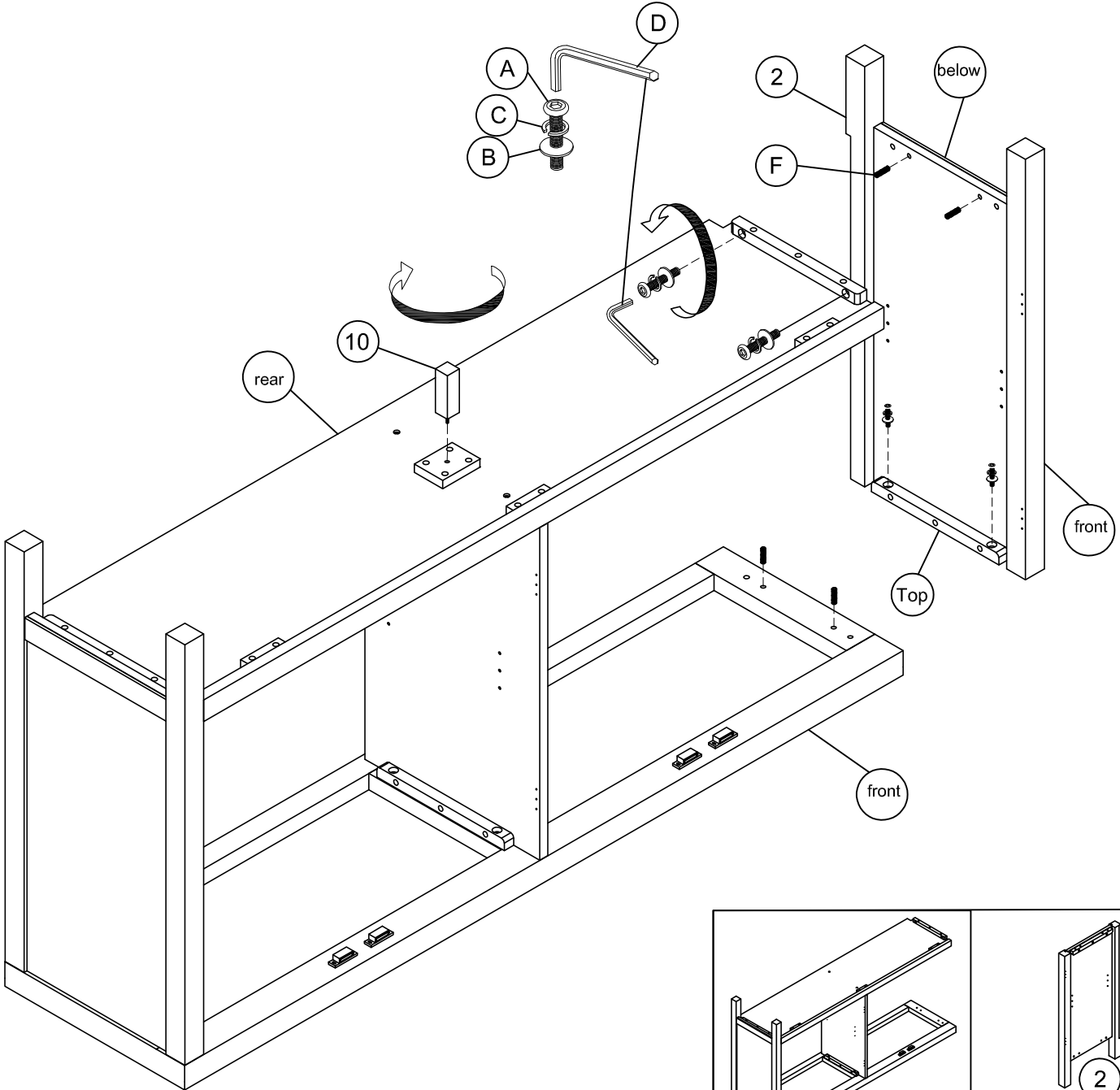
x2

Screws

ASSEMBLY INSTRUCTIONS

ITEM #: WF305237

STEP 3



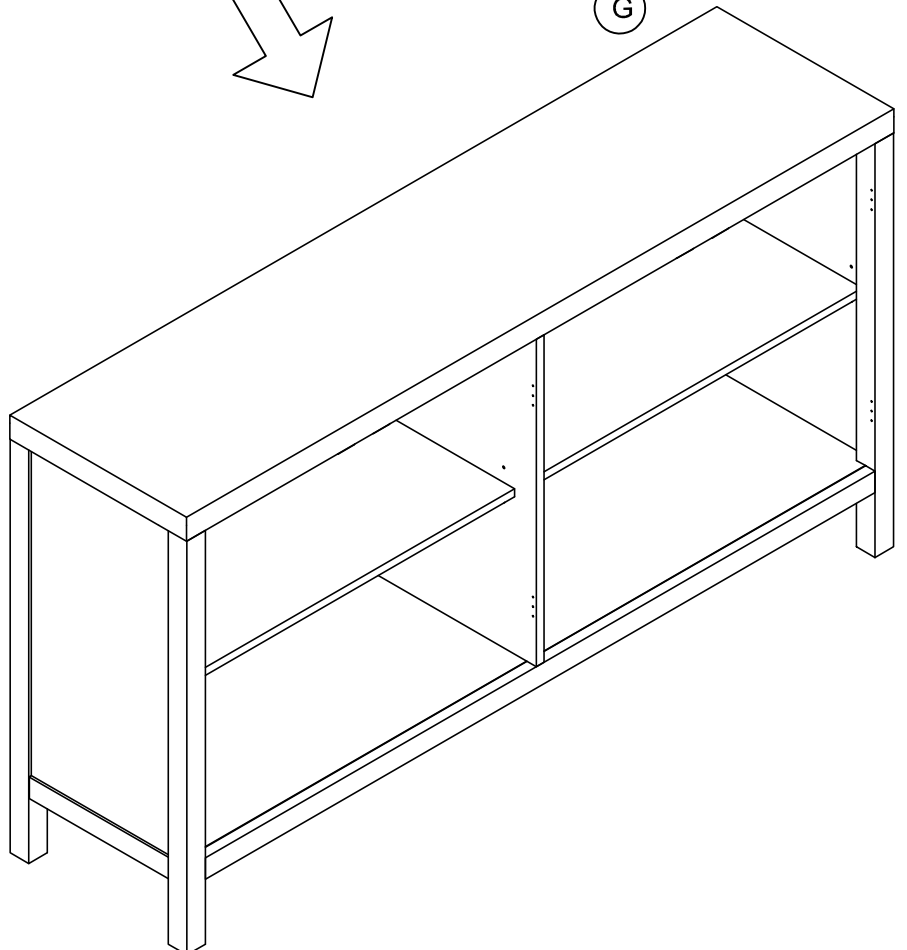
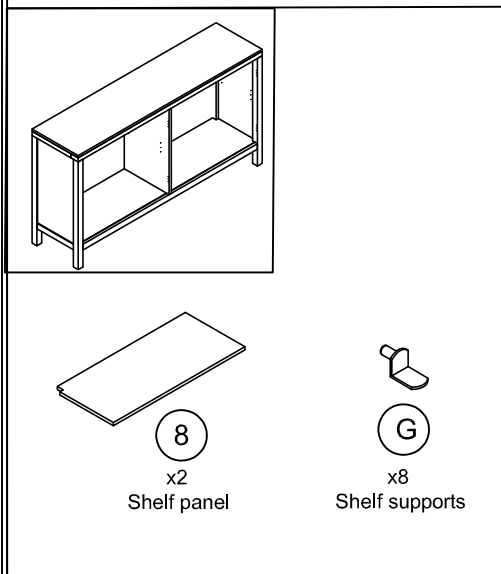
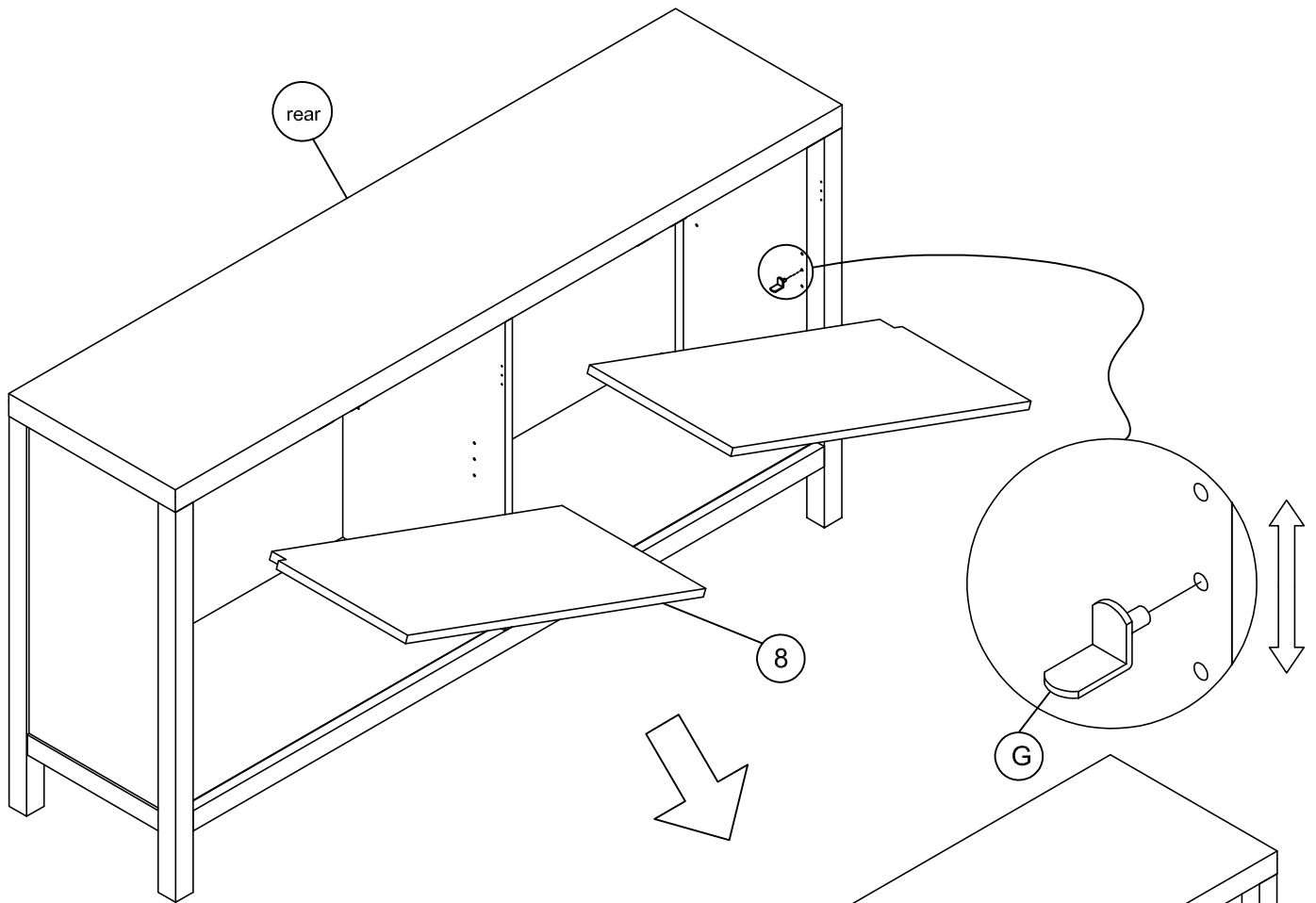
Left side panel

- | | | |
|-----------------------------------|-------------------------------|---------------------------------|
| <p>10
x1
bottom panel</p> | <p>A
x4
Bolts</p> | <p>B
x4
Flat Washer</p> |
| <p>C
x4
Spring Washer</p> | <p>D
x1
Allen Key</p> | <p>F
x4
Dowels</p> |

ASSEMBLY INSTRUCTIONS

ITEM #: WF305237

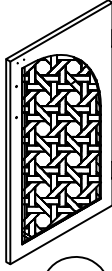
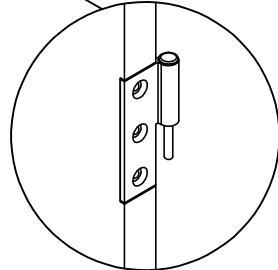
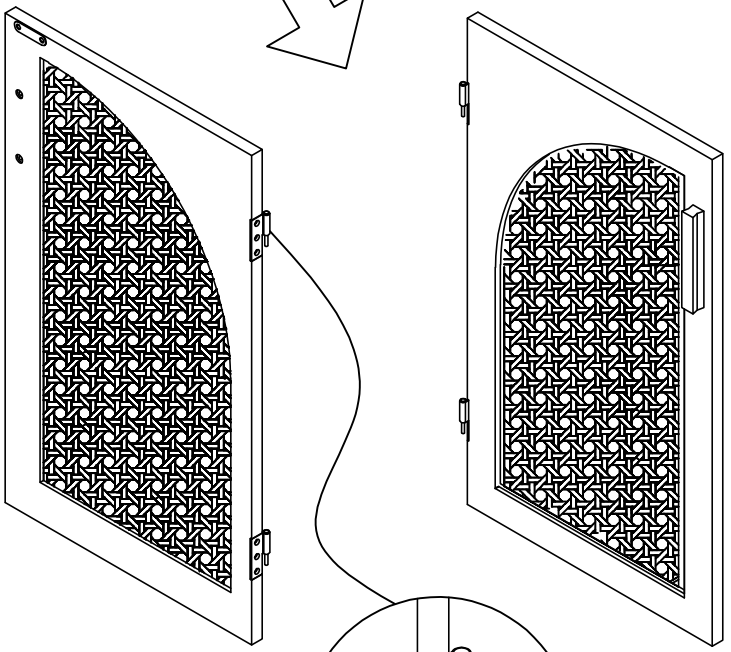
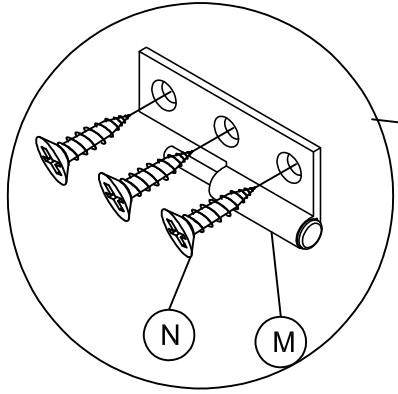
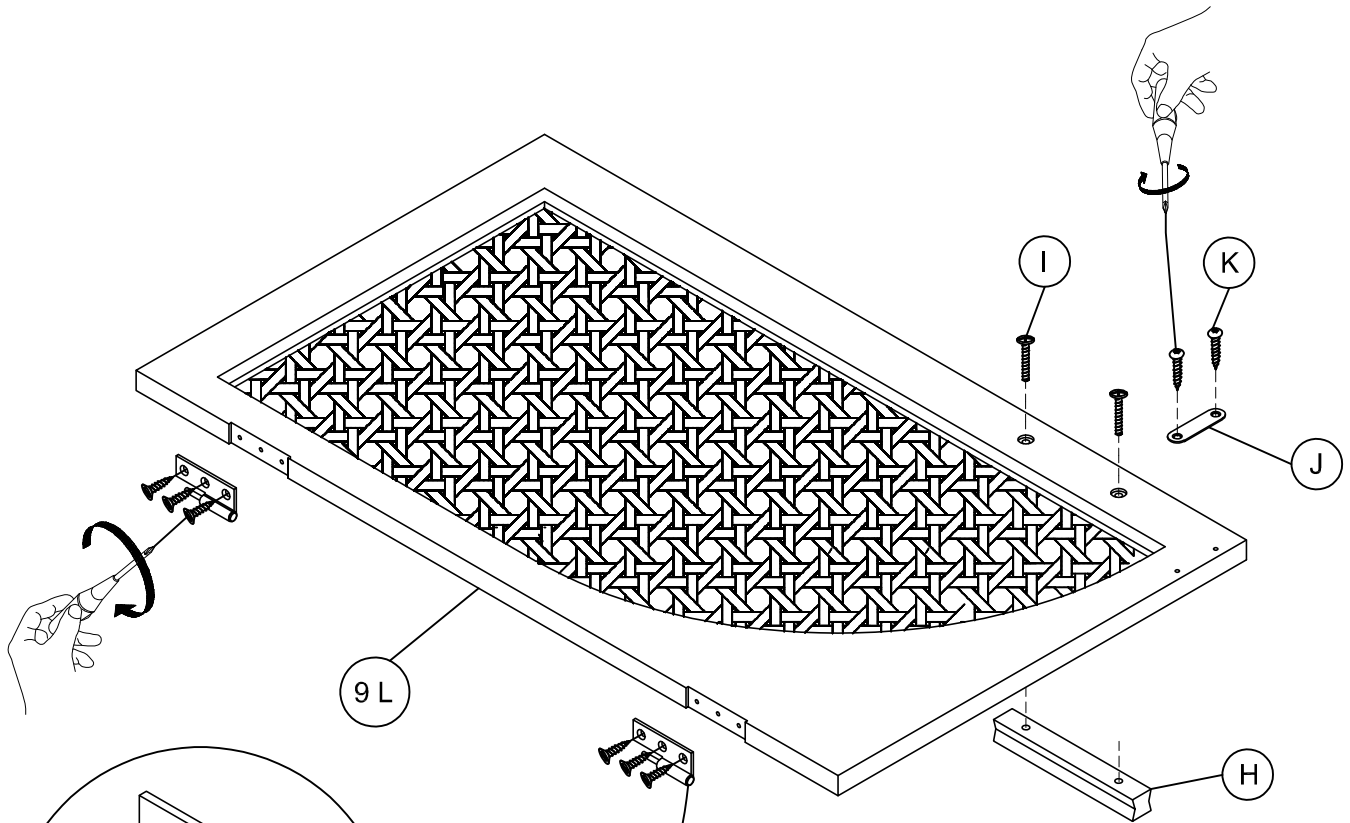
STEP 4



ASSEMBLY INSTRUCTIONS

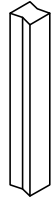
ITEM #: WF305237

STEP 5



9L

x2
door panel



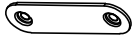
H

x2
Handles



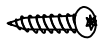
I

x4
handle bolts



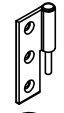
J

x2
Door Sniff



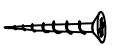
K

x4
Screws



M

x4
Left Hinges



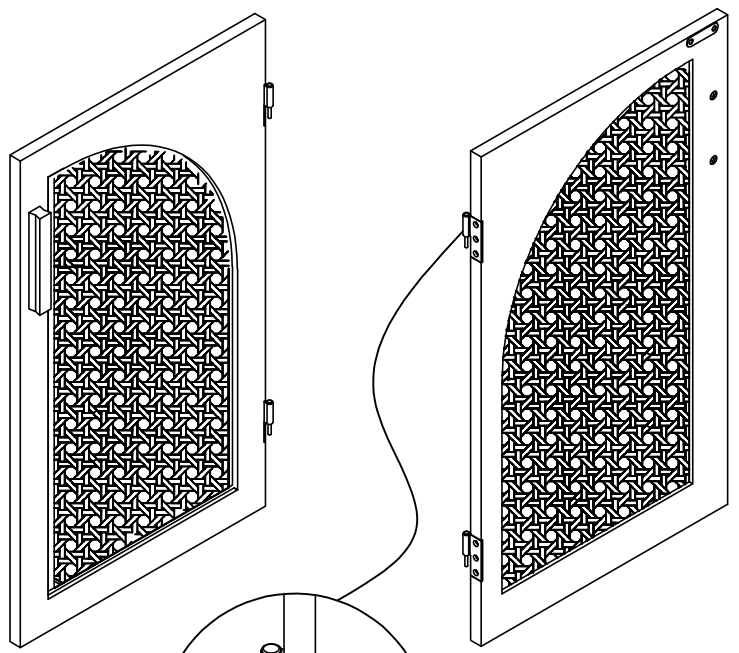
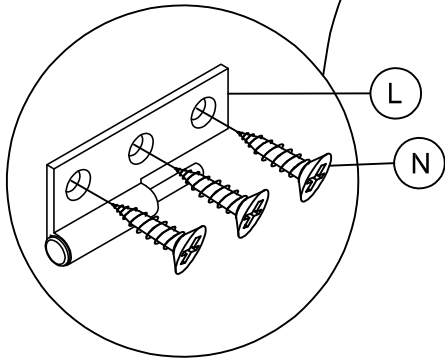
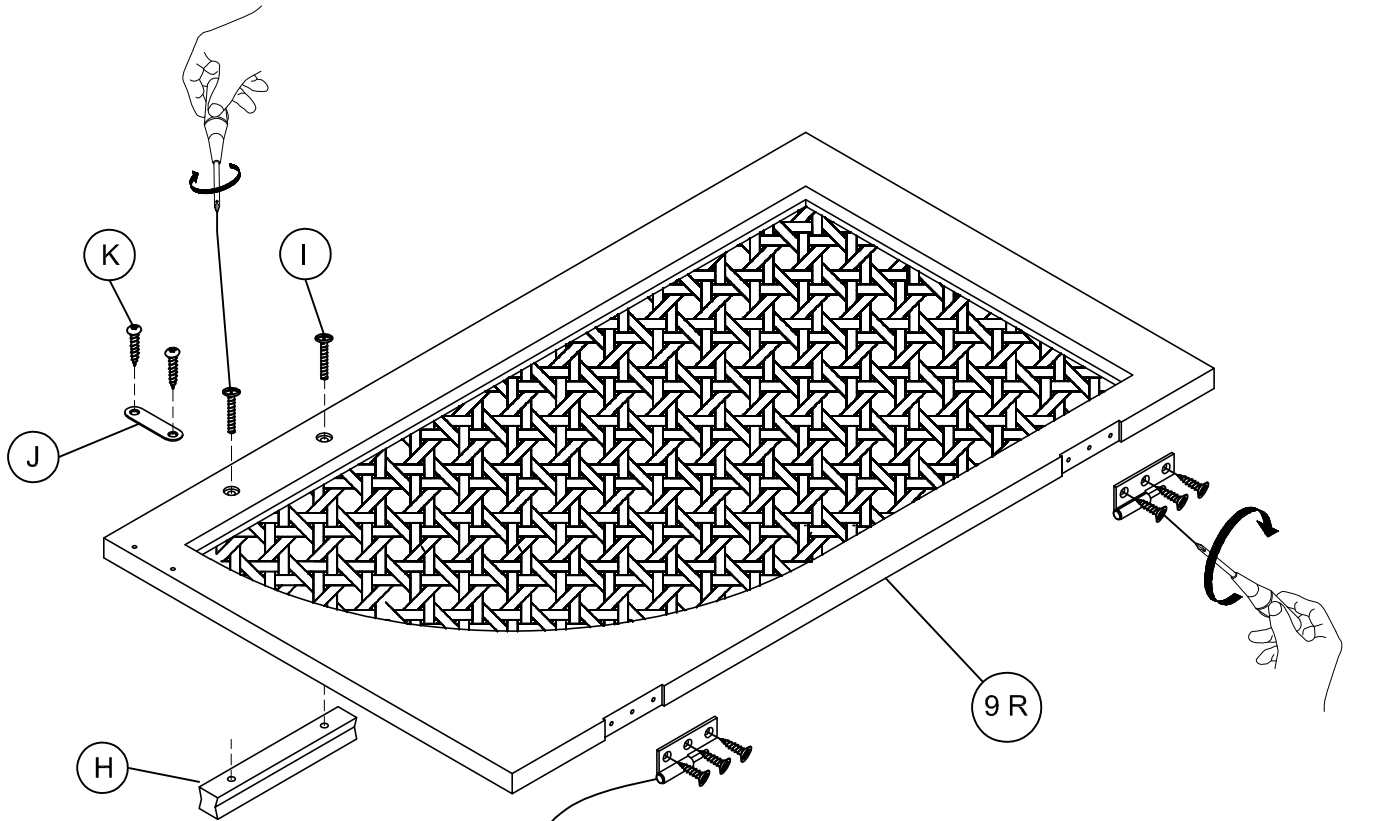
N

x12
Screws

ASSEMBLY INSTRUCTIONS

ITEM #: WF305237

STEP 6

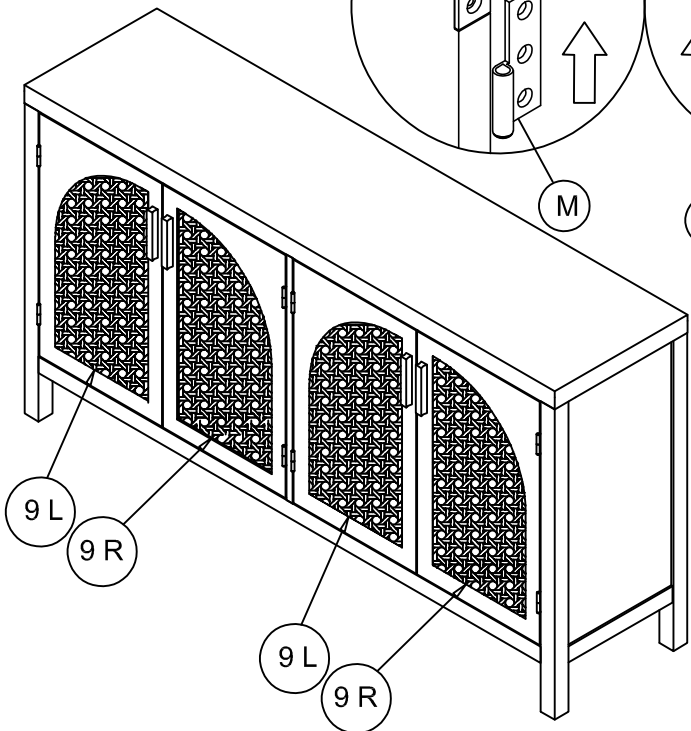
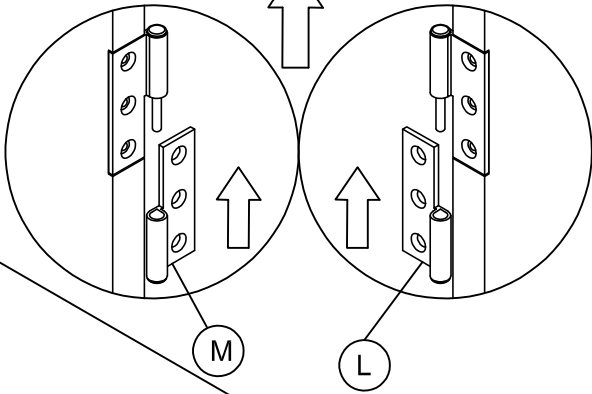
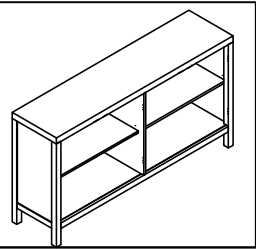
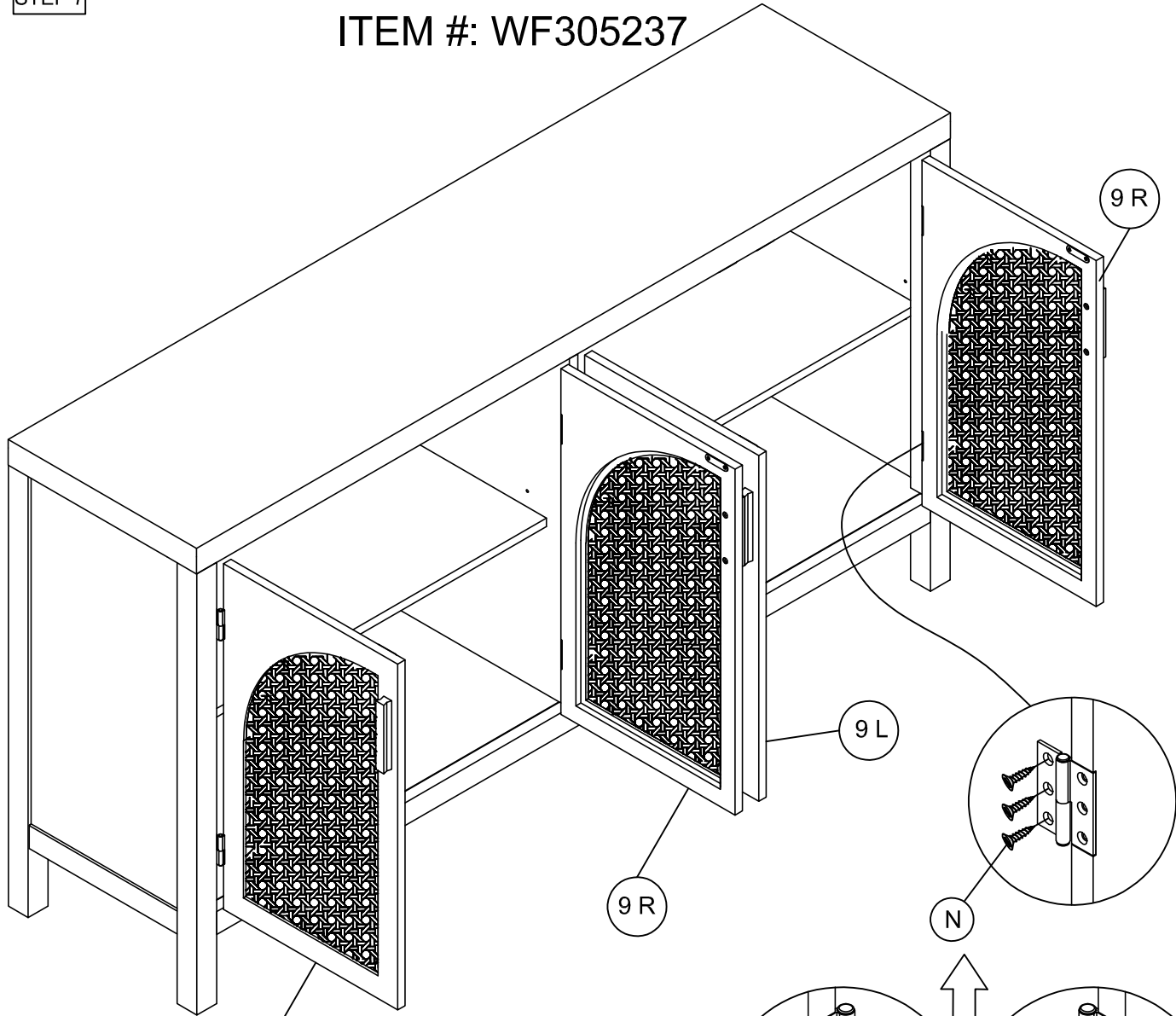


9 R x2 door panel	H x2 Handles	I x4 handle bolts
J x2 Door Sniff	K x4 Screws	L x4 Right Hinges
		N x12 Screws

STEP 7

ASSEMBLY INSTRUCTIONS

ITEM #: WF305237



9 L x2 door panel

9 R x2 door panel

L x4 Right Hinges

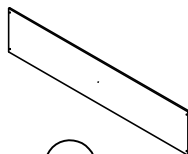
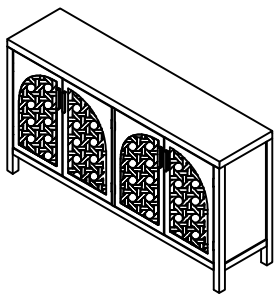
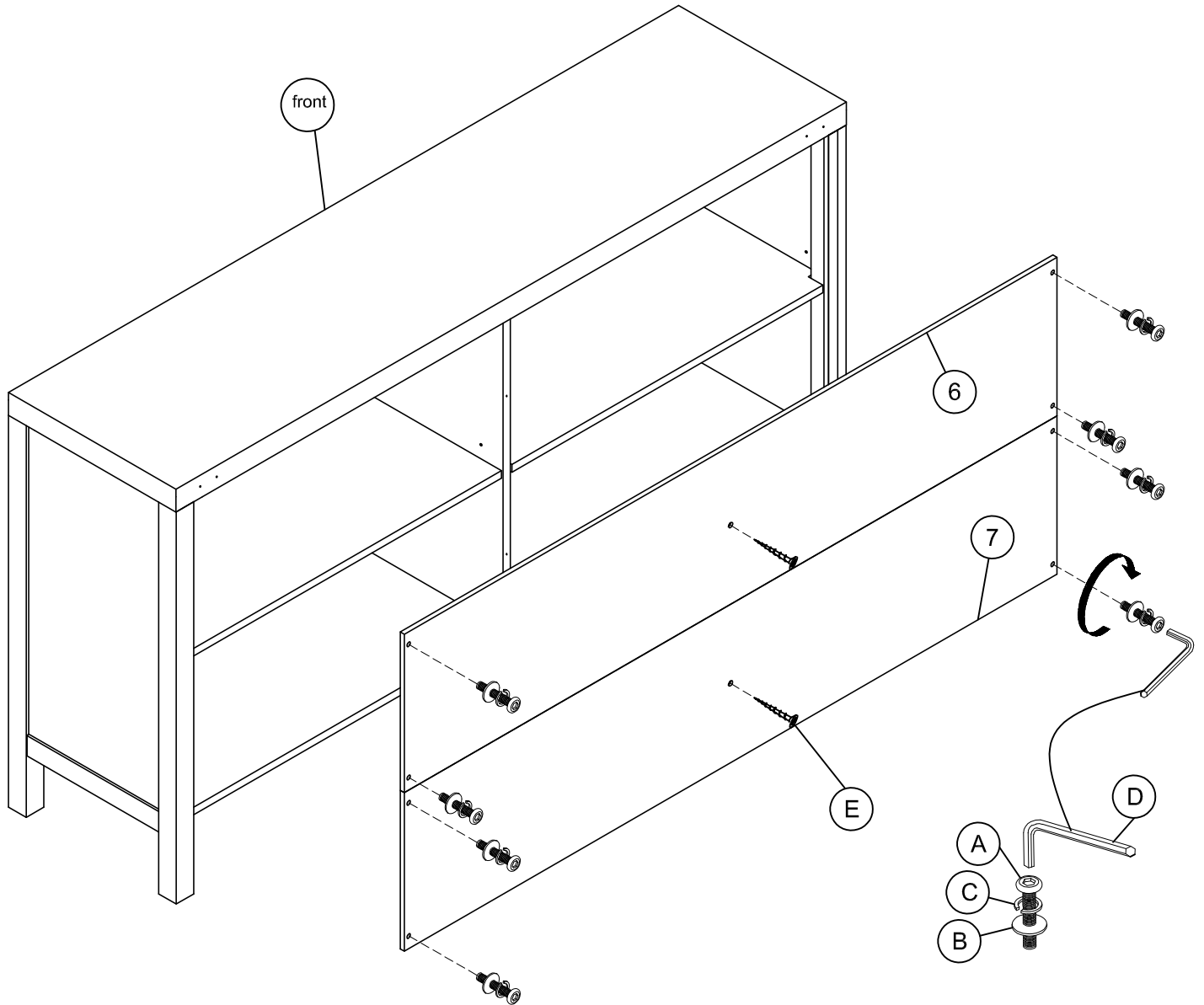
M x4 Left Hinges

N x24 Screws

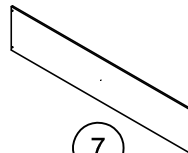
ASSEMBLY INSTRUCTIONS

ITEM #: WF305237

STEP 8



6
x1
Back panel



7
x1
Back panel



A

x8
Bolts



B

x8
Flat Washer



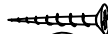
C

x8
Spring Washer



D

x1
Allen Key



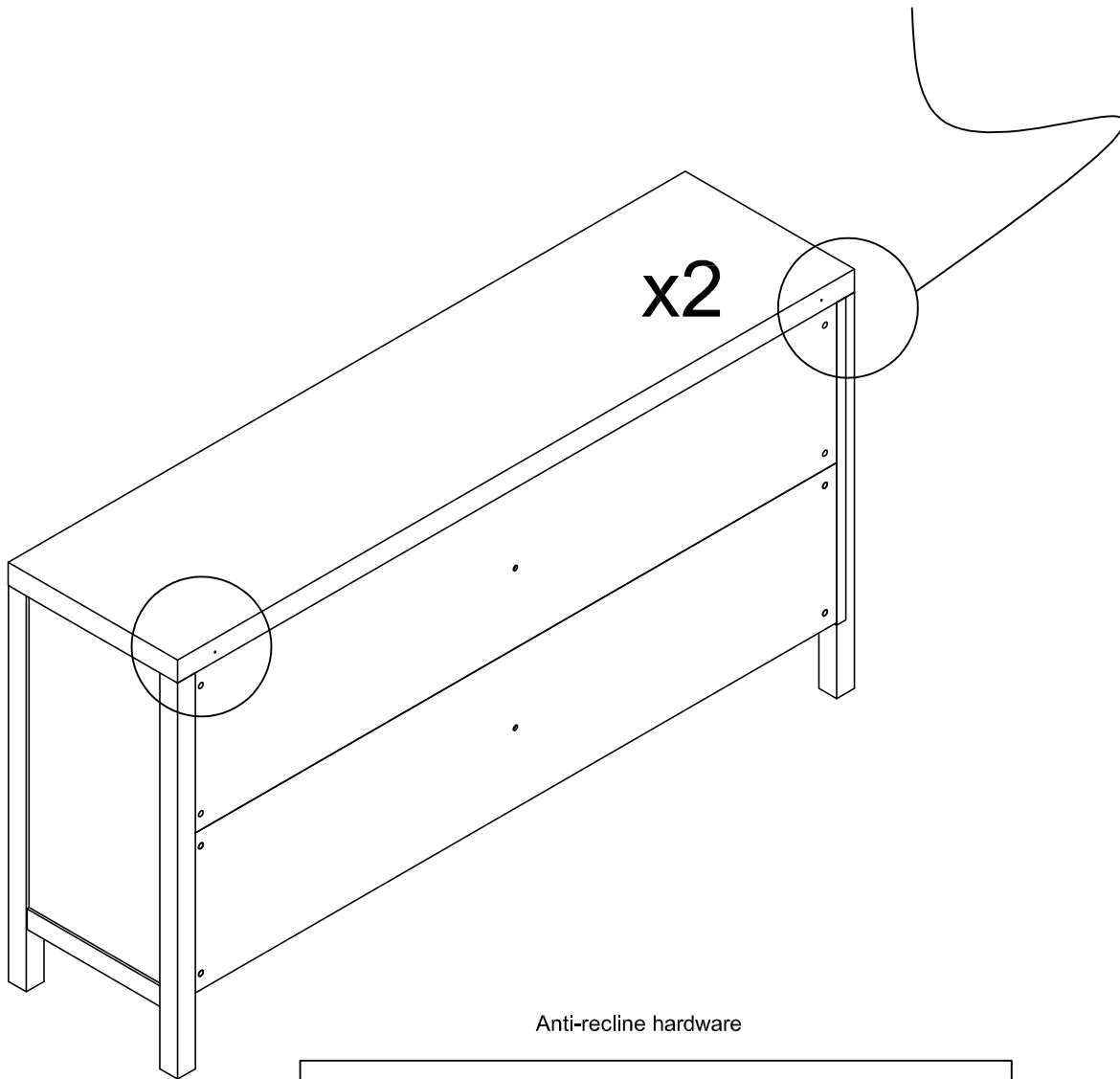
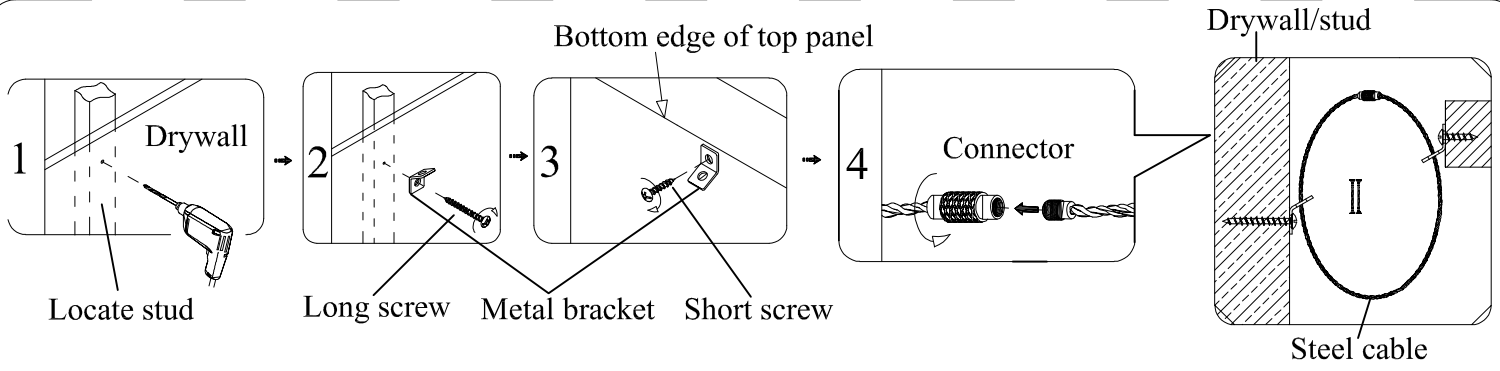
E

x2
Screws

ASSEMBLY INSTRUCTIONS

ITEM #: WF305237

STEP 9



Anti-recline hardware

