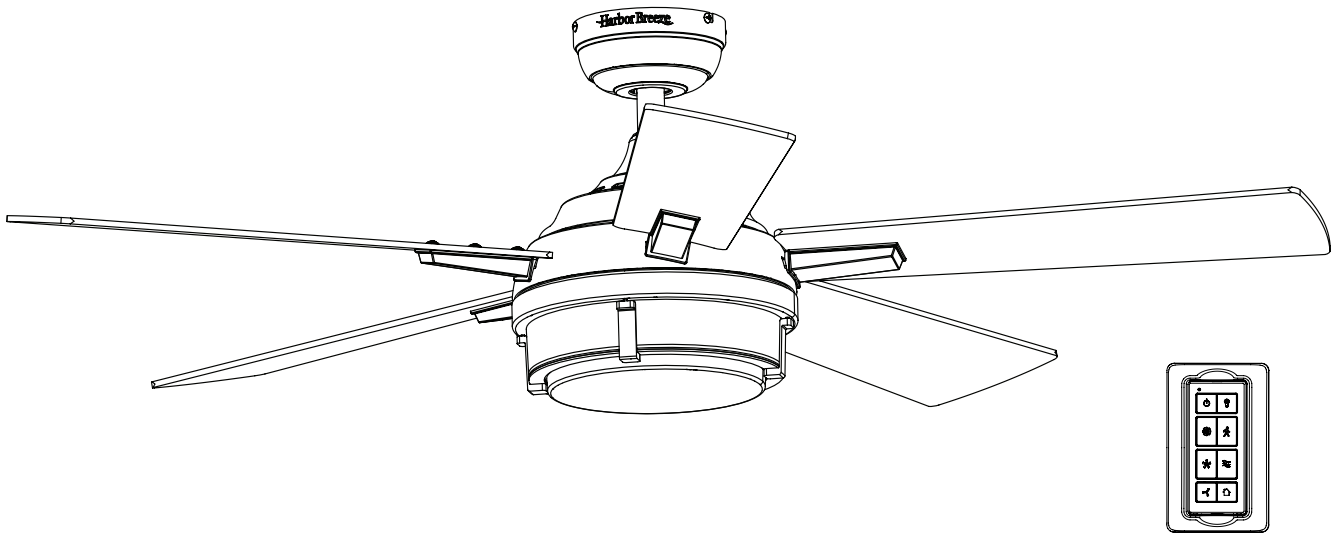




ITEM #3856486  
**SUMMERSVILLE  
CEILING FAN**  
MODEL #42192

HARBOR BREEZE and logo design are trademarks or registered trademarks of LF, LLC. All rights reserved.

**Español p. 20**



**RATED FOR  
DAMP LOCATIONS**



**ATTACH YOUR RECEIPT HERE**

Purchase Date \_\_\_\_\_



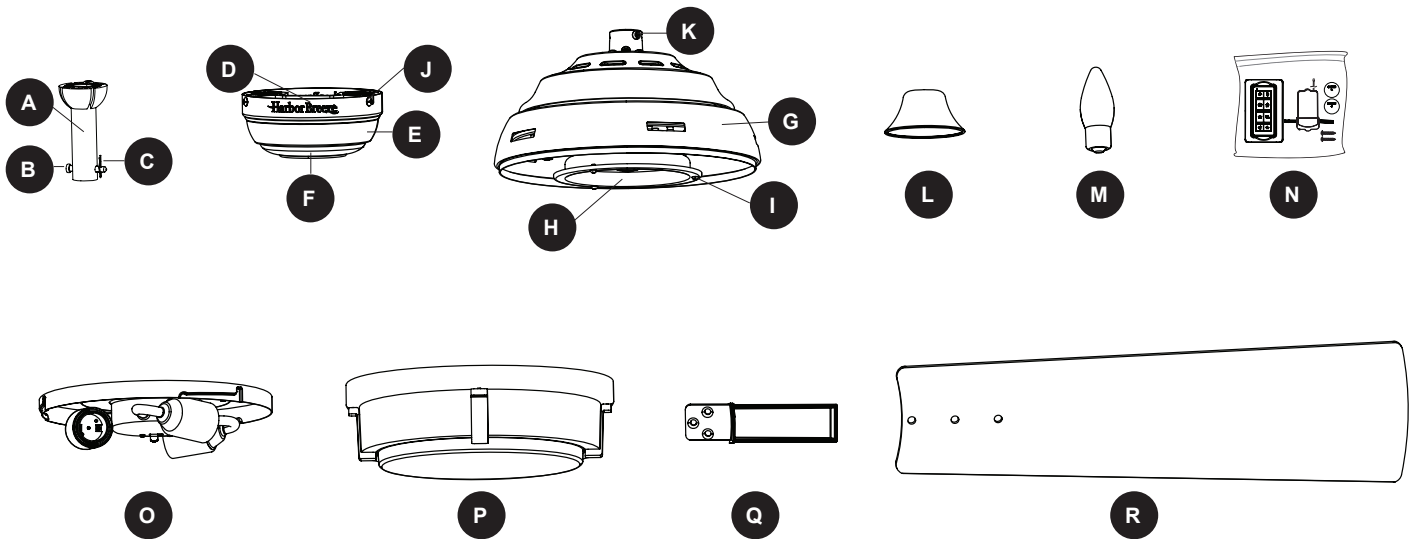
**Questions, problems, missing parts?** Before returning to your retailer, call our customer service department at 1-888-251-1003, 8 a.m. - 8 p.m., EST, Monday - Sunday. You could also contact us at [partsplus@lowes.com](mailto:partsplus@lowes.com) or visit [www.lowespartsplus.com](http://www.lowespartsplus.com).

## TABLE OF CONTENTS

---

Package Contents. . . . .	3
Hardware Contents. . . . .	4
Safety Information. . . . .	5
Preparation. . . . .	6
Initial Installation. . . . .	7
Standard or Angle Mounting Instructions. . . . .	9
Wiring . . . . .	11
Final Installation. . . . .	12
Operating Instructions. . . . .	15
Care and Maintenance . . . . .	16
Troubleshooting. . . . .	16
Limited Lifetime Warranty. . . . .	18
Replacement Parts List. . . . .	19

## PACKAGE CONTENTS



PART	DESCRIPTION	QUANTITY
A	Downrod	1
B	Downrod Pin (preassembled to Downrod [A])	1
C	Downrod Clip (preassembled to Downrod [A])	1
D	Mounting Bracket	1
E	Canopy (preassembled to Mounting Bracket [D])	1
F	Canopy Cover (preassembled to Canopy [E])	1
G	Motor Assembly	1
H	Fitter Plate (preassembled to Motor Assembly [G])	1
I	Fitter Plate Screw (preassembled to Fitter Plate [H])	3
J	Mounting Bracket Screw (preassembled to Mounting Bracket [D])	4
K	Set Screw (preassembled to Motor Assembly [G])	2
L	Yoke Cover	1
M	Bulb	3
N	Remote Pack	1
O	Light Kit	1
P	Glass Bowl	1
Q	Blade Arm	5
R	Blade	5

**HARDWARE CONTENTS** (shown actual size)

---

**AA**



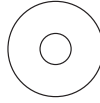
Wire Connector  
Qty. 1  
+ 1 extra

**BB**



Blade Screw  
Qty. 15  
+ 1 extra

**CC**



Blade Washer  
Qty. 15  
+ 1 extra

**XX**



Motor Screw  
Qty. 15  
+ 1 extra



## **SAFETY INFORMATION**

---

Please read and understand this entire manual before attempting to assemble, operate or install the product.

- Before you begin installing the fan, disconnect the power by removing fuses or turning off the circuit breakers.
- Make sure all electrical connections comply with local codes, ordinances, the National Electrical Code and ANSI/NFPA 70-199. Hire a qualified electrician or consult a do-it-yourself wiring handbook if you are unfamiliar with installing electrical wiring.
- Make sure the installation site you choose allows a minimum clearance of 7 ft. from the blades to the floor and at least 30 in. from the end of the blades to any obstruction.
- The net weight of this fan is: 22.18 lbs.



**DANGER:** When using an existing outlet box, make sure the outlet box is securely attached to the building structure and can support the full weight of the fan. Failure to do this can result in serious injury or death. The stability of the outlet box is essential in minimizing wobble and noise in the fan after installation is complete.



**WARNING:** To avoid personal injury, the use of gloves may be necessary while handling fan parts with sharp edges.



**WARNING:** Using a full-range dimmer switch to control fan speed will cause a loud humming noise from the fan. To reduce the risk of fire or electric shock, DO NOT use a full-range dimmer switch to control the fan speed.



**WARNING:** To reduce the risk of fire, electric shock or personal injury, mount the fan to an outlet box marked “ACCEPTABLE FOR FAN SUPPORT” and use the mounting screws provided with the outlet box. Most outlet boxes commonly used for the support of lighting fixtures are not acceptable for fan support and may need to be replaced. Consult a qualified electrician if in doubt. Secure the outlet box directly to the building structure. The outlet box and its support must be able to support the moving weight of the fan (at least 35 lbs.).



**WARNING:** To reduce the risk of fire, electrical shock or personal injury, wire connectors provided with this fan are designed to accept only one 12-gauge house wire and two lead wires from the fan. If your house wire is larger than 12-gauge and there is more than one house wire to connect to the two fan lead wires, consult an electrician for the proper size wire connectors to use.



**WARNING:** To reduce the risk of fire, electric shock or personal injury, do not bend the blade arms when installing them, balancing the blades or cleaning the fan. Do not insert objects between the rotating fan blades.



**WARNING:** To reduce the risk of personal injury, use only parts provided with this fan. The use of parts OTHER than those provided with this fan will void the warranty.



## **SAFETY INFORMATION**

---

**CAUTION:** Read all instructions and safety information before installing your new fan. Review the accompanying assembly diagrams.

**CAUTION:** Be sure the outlet box is properly grounded or that a ground (green or bare) wire is present.

**CAUTION:** Carefully check all screws, bolts and nuts on the fan motor assembly to ensure they are secured.

**CAUTION:** This device complies with part 15 of FCC Rules. Operation is subject to the following two conditions: 1) This device may cause harmful interference, and 2) this device must accept any interference received, including interference that may cause undesired operation.

**CAUTION:** This equipment has been tested and found to comply with the limits for a Class B digital device, pursuant to Part 15 of the FCC Rules. These limits are designed to provide reasonable protection against harmful interference in a residential installation. This equipment generates, uses and can radiate radio frequency energy and, if not installed and used in accordance with the instructions, may cause harmful interference to radio communications. However, there is no guarantee that interference will not occur in a particular installation. If this equipment does cause harmful interference to radio or television reception, which can be determined by turning the equipment off and on, the user is encouraged to try to correct the interference by one or more of the following measures:

- Reorient or relocate the receiving antenna.
- Increase the separation between the equipment and receiver.
- Connect the equipment into an outlet on a circuit different from that to which the receiver is connected.
- Consult the dealer or an experienced radio/TV technician for help.

Please note changes or modifications not expressly approved by the party responsible for compliance could void the user's authority to operate the equipment.

HKC-US  
3350 Players Club Pkwy. #225  
Memphis, TN 38125  
1-888-251-1003

## **PREPARATION**

---

Before beginning the assembly of this product, ensure that all parts are present. Compare all parts with the package contents list and hardware contents list. If any part is missing or damaged, do not attempt to assemble the product.

**Estimated Assembly Time:** 120 minutes.

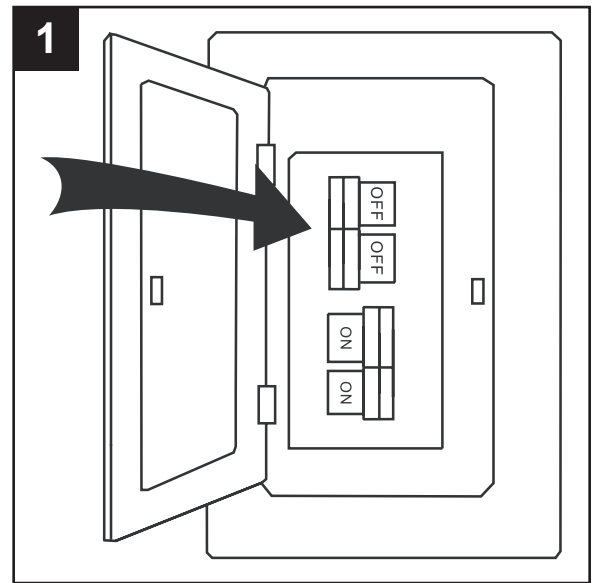
Tools Required for Assembly (not included): Electrical Tape, Phillips Screwdriver, Pliers, Safety Glasses, Step Ladder and Wire Strippers.

Helpful Tools (not included): AC Tester Light, Tape Measure, Wiring Handbook and Wire Cutters.

## INITIAL INSTALLATION

1. Turn off the circuit breakers and the wall switch to the fan supply line leads.

**⚠ DANGER:** Failure to disconnect the power supply prior to installation may result in serious injury or death.



2. Determine the mounting method to use.

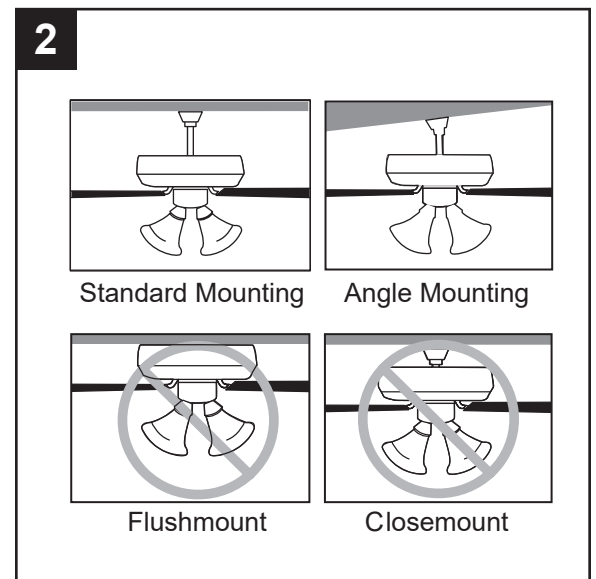
**Standard Mounting** is best suited for ceilings 8 ft. or higher. For taller ceilings you may want to use a longer downrod (not included).

**Angle Mounting** is best suited for angled or vaulted ceilings. A longer downrod is sometimes necessary to ensure proper blade clearance.

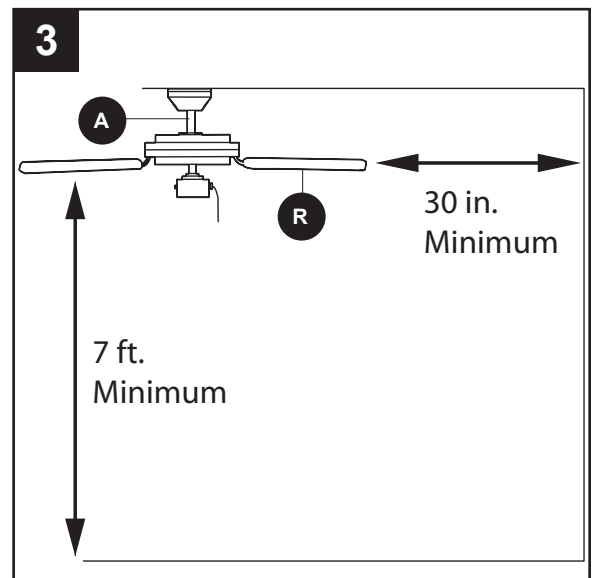
Important: If using the angle mount, check to ensure the ceiling angle is not steeper than 10°.

**Flushmount installation** is not available for this item.

**Closemount installation** is not available for this item.



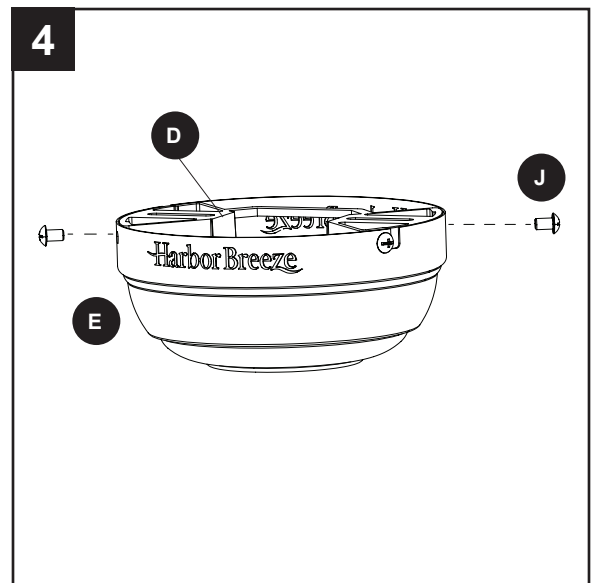
3. Ensure the blades (R) will be at least 30 in. from any obstructions. Also check the downrod (A) length to ensure the blades (R) will be at least 7 ft. above the floor.



## INITIAL INSTALLATION

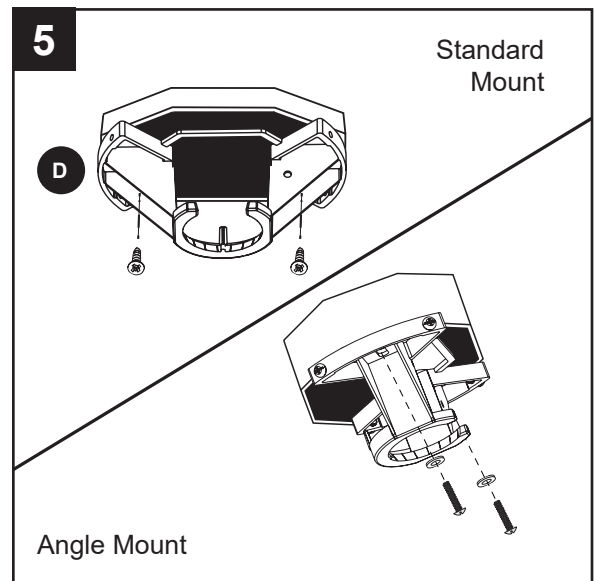
- Loosen all four mounting bracket screws (J) on mounting bracket (D), then completely remove the two mounting bracket screws (J) from the round holes of canopy (E). Set aside for later use.

Detach mounting bracket (D) from canopy (E).

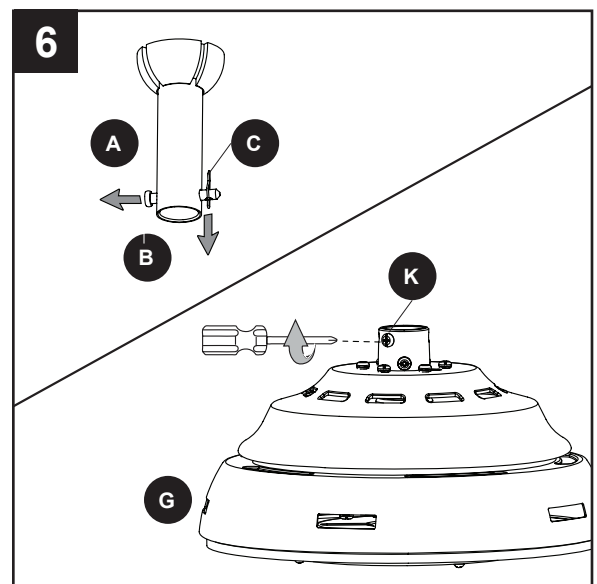


- Secure the mounting bracket (D) to the outlet box using screws and washers provided with the outlet box.

**CAUTION:** It is very important you use the proper hardware when installing the mounting bracket (D) as this will support the fan.



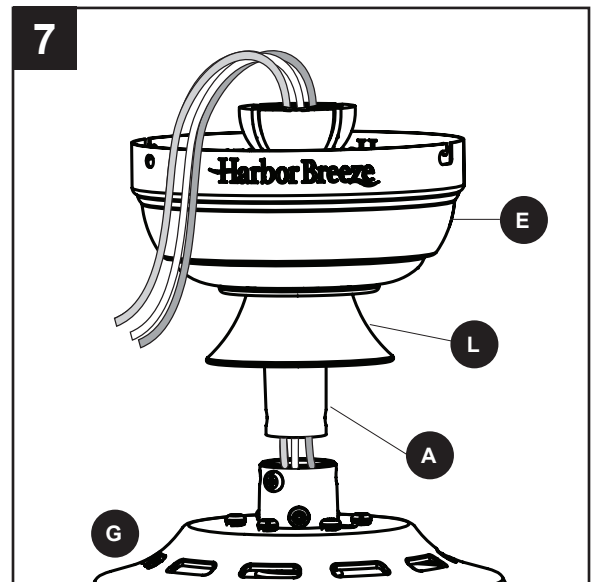
- Remove the downrod pin (B) and downrod clip (C) from the downrod (A). Then partially loosen the set screws (K) in the yoke at the top of the motor assembly (G).



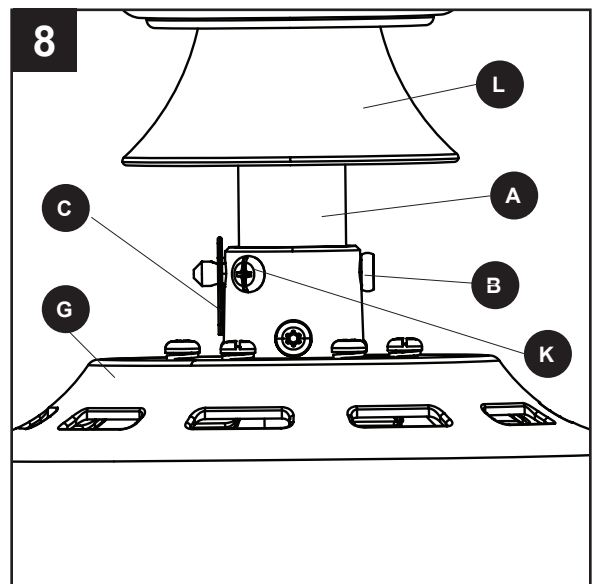


## STANDARD OR ANGLE MOUNTING INSTRUCTIONS

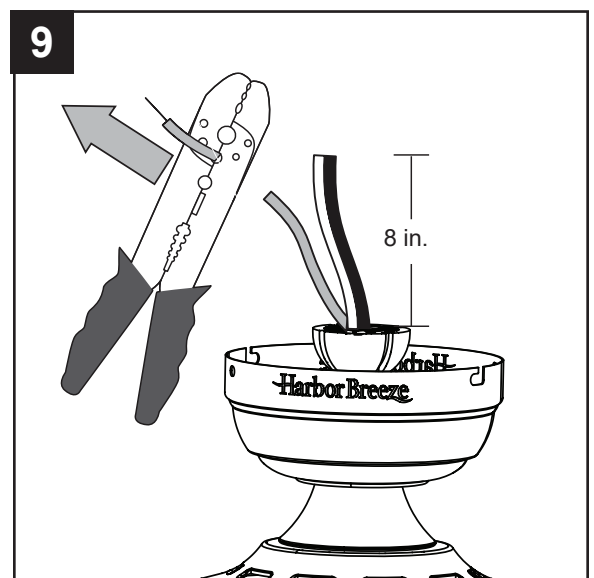
7. Insert the downrod (A) through the canopy (E) and yoke cover (L). Feed the wires from the motor assembly (G) through the downrod (A).



8. Slide the downrod (A) into the yoke of the motor assembly (G), align the holes, then re-install the downrod clip (C) and downrod pin (B). Secure with set screws (K) and slide the yoke cover (L) down until it rests on top of the motor assembly (G).



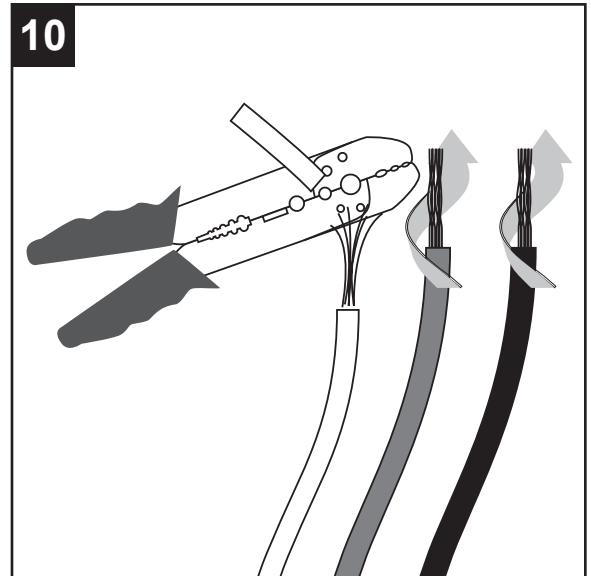
9. Depending on the length of downrod you use, you may need to cut the lead wires back to simplify the wiring. If you decide to cut back the lead wires, it is suggested you do so in the following manner: Take the lead wires and make sure you have pulled them all the way through the top of the downrod. Measure 8 inches of lead wire, then cut the excess wire off with wire cutters (not included).



## STANDARD OR ANGLE MOUNTING INSTRUCTIONS

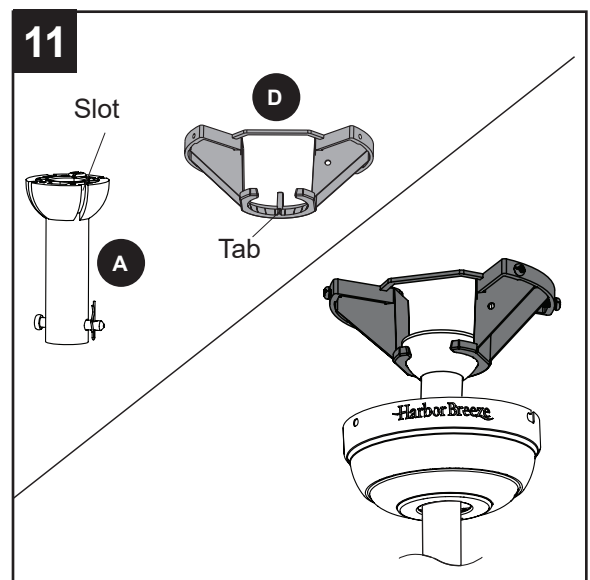
10. If you decided to cut back the lead wire in Step 9, strip 1/2 in. of insulation from the end of the wires. Twist the stripped ends of each strand of wire within the insulation with pliers (not included).

**Note:** If you did not cut back the lead wires in Step 9, Step 10 is not necessary and you may proceed to Step 11 instead.

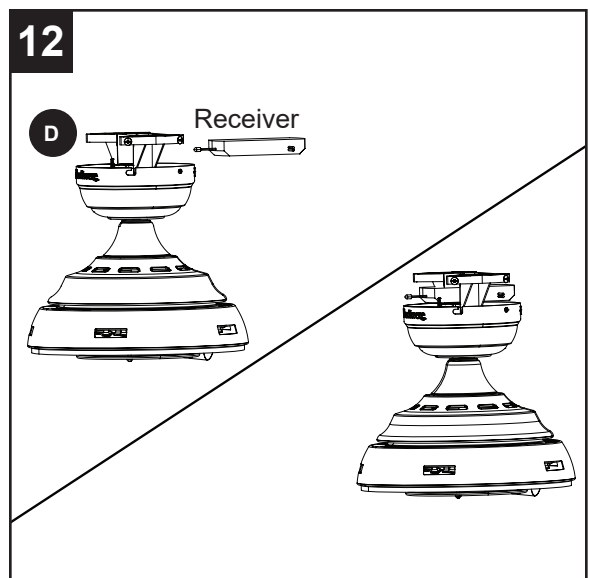


11. Install the ball end of the downrod (A) into the opening of the mounting bracket (D). Align the slot in the ball in the downrod (A) with the tab in the mounting bracket (D). **Note:** The downrod (A) should not rotate if installed correctly.

**⚠ DANGER:** Failure to align the slot in the ball with the tab could cause the fan to fall, which may result in serious injury or death.



12. Insert the receiver from remote pack (N) into the mounting bracket (D) with the flat side facing the ceiling.



## WIRING

**⚠ WARNING:** To reduce the risk of fire, electrical shock or personal injury, wire connectors provided with this fan are designed to accept only one 12-gauge house wire and two lead wires from the fan. If your house wire is larger than 12-gauge and there is more than one house wire to connect to the two fan lead wires, consult an electrician for the proper size wire connectors to use.

**CAUTION:** Be sure the outlet box is properly grounded or that a ground (green or bare) wire is present.

1. Secure all wiring connections together with wire connector (AA) and the wire connectors from remote pack (N) according to the diagram and these steps:
  - Connect the Green wires from the fan and the mounting bracket (D) to the Bare/Green (ground) supply wire.
  - Connect the Blue wire (FOR LIGHT) from the receiver to the Blue fan wire.
  - Connect the Black wire (TO MOTOR L) from the receiver to the Black fan wire.
  - Connect the White wire (TO MOTOR N) from the receiver to the White fan wire.
  - Connect the Red wire (AC IN L) from the receiver to the Black (hot/power) supply wire.
  - Connect the White (AC IN N) from the receiver to the White (neutral) supply wire.
  - Secure all wiring connections together with wire connectors (AA).

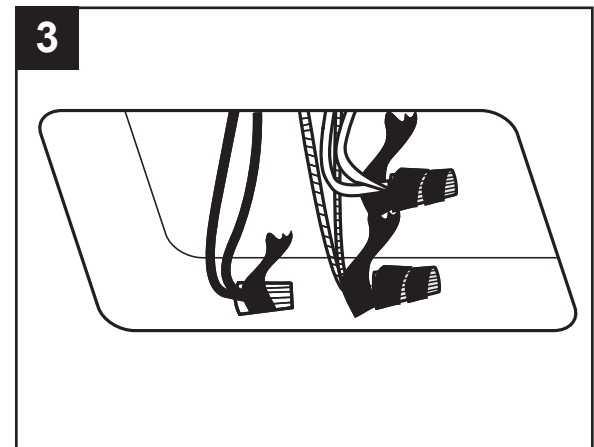
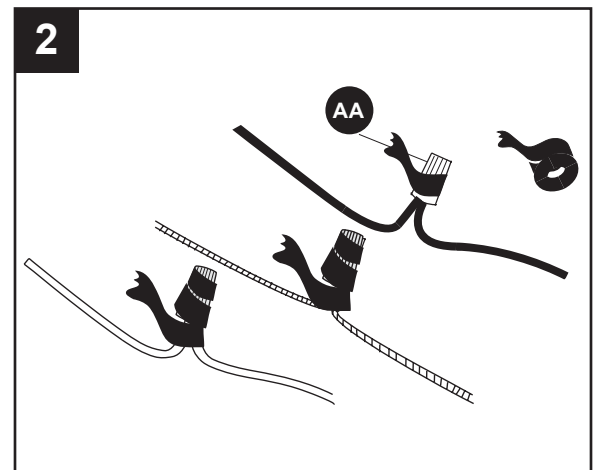
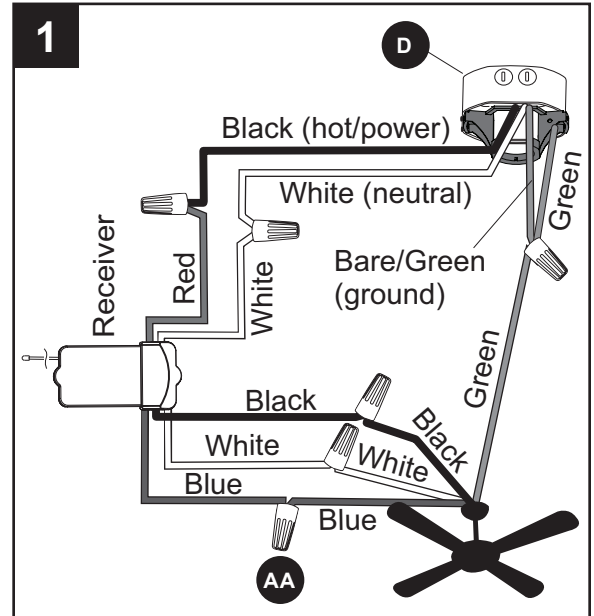
**Important:** The Blue fan wire is power for the light. The Black wire is power for the fan. The White wire is common/neutral. The Green wire is the ground wire. If supply wires are different colors than referred to above, a professional electrician should determine proper wiring.

### Hardware Used

**AA** Wire Connector  x 1

2. Wrap electrical tape (not included) around each individual wire connector (AA) down to the wire.
3. Turn the spliced/taped wires upward and gently push the wires and wire connectors (AA) into the outlet box.

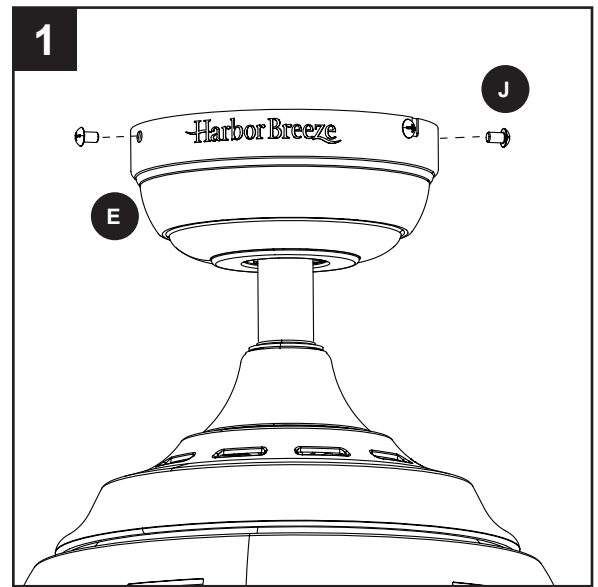
**WARNING:** Ensure no bare wire strands are visible after making connections. Place Green and White wire connections on opposite sides of outlet box from the Black.



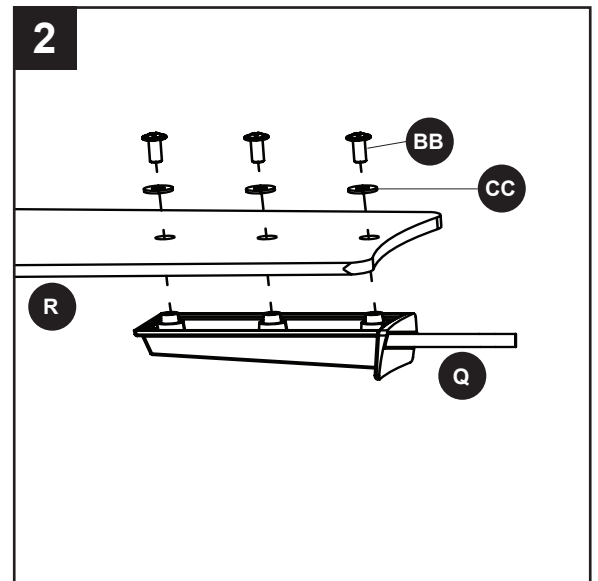
## FINAL INSTALLATION

1. Align the canopy (E) over the loose mounting bracket screws (J) preassembled on mounting bracket (D) and turn canopy (E) in a clockwise direction.

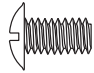
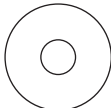
Secure the canopy (E) with the mounting bracket screws (J) previously removed (Step 4, page 8). Tighten all mounting bracket screws (J) securely.



2. Partially insert three blade screws (BB) along with three blade washers (CC) through one blade (R) and into one blade arm (Q). Tighten each blade screw (BB) with a Phillips screwdriver (not included), starting with the one in the middle. Repeat this step for the remaining blades (R) and blade arms (Q).



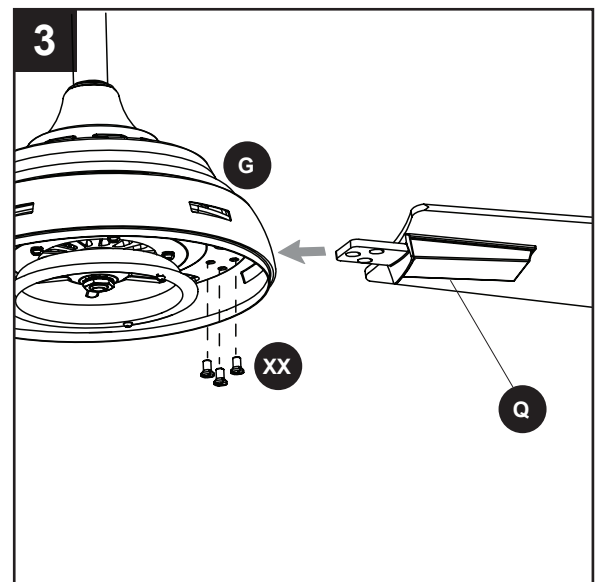
### Hardware Used

<b>BB</b>	Blade Screw		x 15
<b>CC</b>	Blade Washer		x 15

3. Insert blade arm (Q) through slot in the side of the motor assembly (G). Align the holes of one blade arm (Q) with three motor screw holes in underside of the motor assembly (G). Secure with three motor screws (XX). Repeat this step for the remaining blade arms (Q).

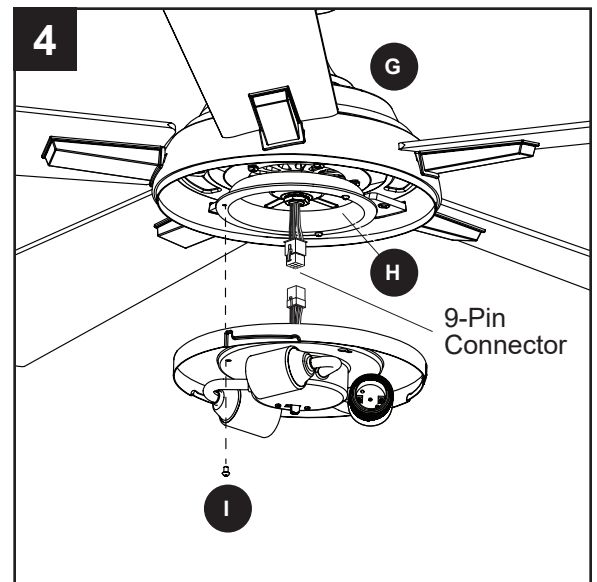
### Hardware Used

<b>XX</b>	Motor Screw		x 15
-----------	-------------	---	------

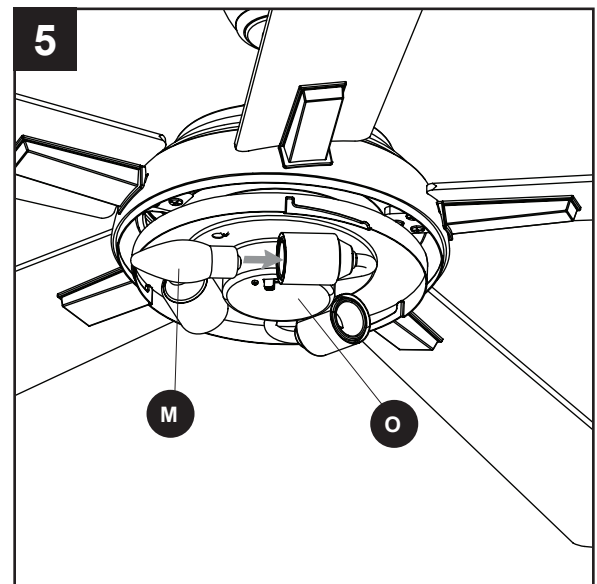


## FINAL INSTALLATION

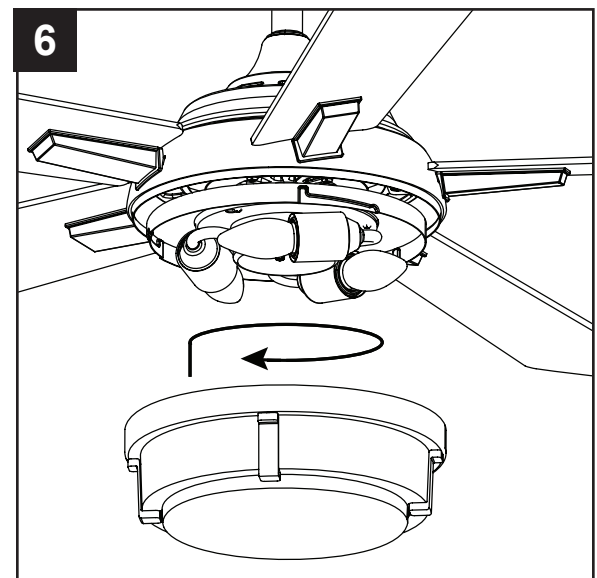
- Remove one of the three fitter plate screws (I) located on the underside of the motor assembly (G) and loosen the other two screws. Connect the 9-pin connector from the fitter plate (H) to the 9-pin connector from the light kit (O). Align the two key slots in the light kit (O) with the two previously loosened light pan screws (I). Place the light kit (O) over the two screws and turn the light kit (O) clockwise. Re-install the previously removed fitter plate screw (I), and tighten all three screws securely.



- Install the bulbs (M) into the sockets of the light kit (O).  
**Important:** Make sure you allow the bulbs (M) and light kit (O) to cool before you replace the bulbs.



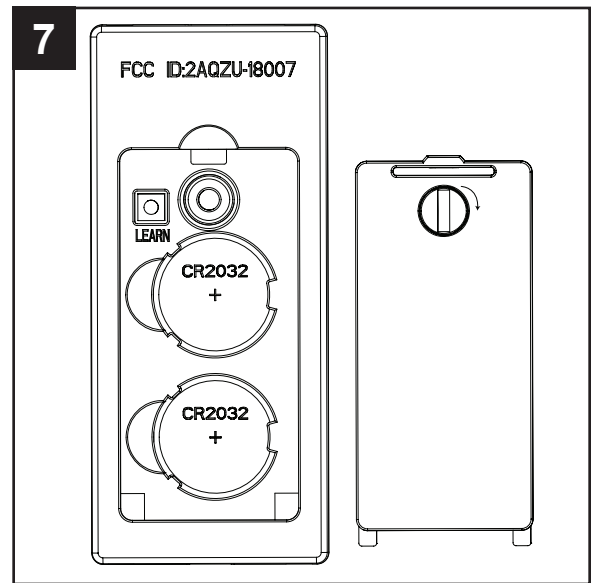
- Attach the glass bowl (P) to the light kit (O) by twisting the glass bowl (P) tightly in a clockwise direction until it is secure. **CAUTION:** Avoid cross-threading the glass during installation. Improper installation could cause the glass bowl (P) to be difficult to remove or fall, which could cause serious injury.



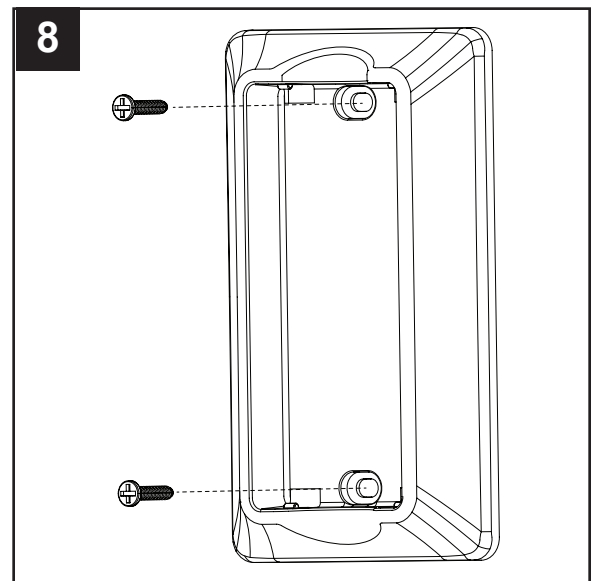
## FINAL INSTALLATION

7. Remove the battery cover from the back of the remote found in remote pack (N). Insert the battery from remote pack (N) into the remote; ensuring the polarity of the battery matches the polarity indicated in the battery compartment -- positive (+) to positive (+) and negative (-) to negative (-). Replace the battery cover and press the fan power button on the remote to ensure the LED indicator illuminates and the remote turns on the fan.

**Note:** If remote doesn't turn on the fan, see TROUBLESHOOTING (page 17).



8. If desired, the wall bracket can be installed to the wall using the two mounting screws from the remote pack (N). Store the remote in the wall bracket when not in use.



## OPERATING INSTRUCTIONS

- To operate the fan using the remote, press and release the following buttons:

**Fan Off** - Turns the power to fan off.

**Light On/Off** - Tap the light control button to turn the light off and on. Press and hold light control button to dim or brighten the lights (for dimmable bulbs only).

**High Speed** - Turns on fan at high speed.

**Light Delay** - Delays turning off light for one minute which allows safe exit from room. **Note:** Fan light blinks once to confirm Light Delay is active. Press any button to cancel.

**Medium Speed** - Turns on fan at medium speed.

**Variable Breeze** - Simulates a breeze in nature. Press and hold button to activate. Press any fan speed button to cancel.

**Low Speed** - Turns on fan at low speed.

**Home Shield™** - Simulates occupancy while away from home. Fan remains off and the light randomly turns on for a minimum of five times and a maximum of 20 minutes. The light remains off for 60 minutes between events. Press and hold button to activate. Light will blink twice to confirm Home Shield is active. Press any button to cancel.

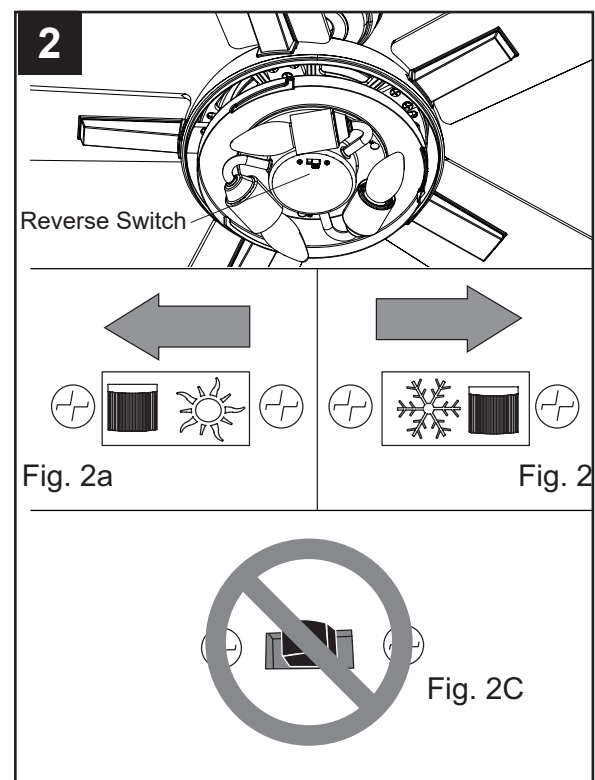
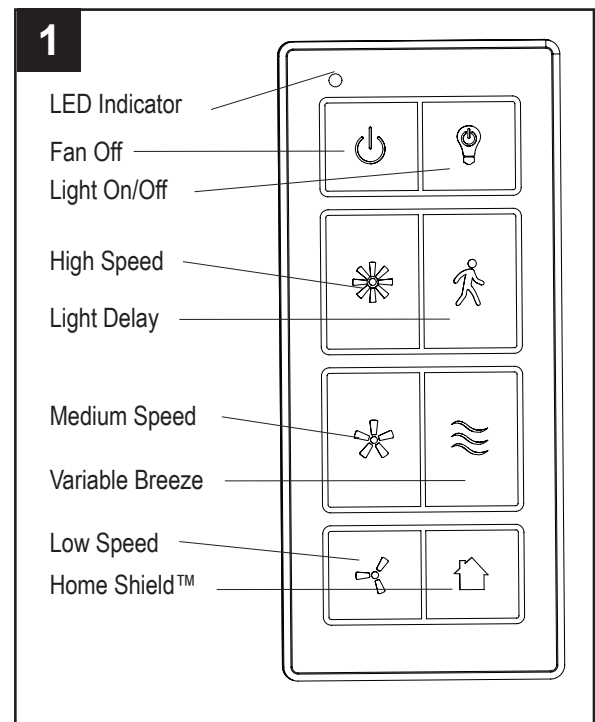
**LED indicator** should illuminate when any remote button is pressed. If not, replace the DC3V, CR2032 batteries.

- Using a ceiling fan will allow you to raise your thermostat setting in summer and lower your thermostat setting in winter without feeling a difference in your comfort. **Note:** Wait for the fan to stop before moving the reverse switch.

**In warmer weather**, push the reverse switch left which will result in downward airflow creating a wind chill effect (Fig. 2A).

**In cooler weather**, push the reverse switch right, which will result in upward airflow that can help move hot air off the ceiling area (Fig. 2B).

**Important:** The reverse switch must be set either completely left or right in order for the fan to function correctly. If the reverse switch is set in the middle position, the fan will not operate (Fig. 2C).



## CARE AND MAINTENANCE

At least twice each year, tighten all screws on the fan. Clean the motor housing with only a soft brush or lint-free cloth to avoid scratching the finish. Clean the blades with a lint-free cloth.

**Bulb Replacement:** Use 40-watt max. E26-base LED, CFL or incandescent bulbs. Halogen bulbs are not recommended for this item.

**Battery Replacement for Remote:** Use CR2032 lithium batteries. Exhausted batteries should be removed from remote. Non-rechargeable batteries should not be recharged. Do not dispose of batteries in fire, as they may explode or leak.

**Important:** Shut off the main power supply before you begin any maintenance tasks. Do not use water or a damp cloth to clean the ceiling fan.

## TROUBLESHOOTING

PROBLEM	POSSIBLE CAUSE	CORRECTIVE ACTION
The fan does not move.	<ol style="list-style-type: none"><li>1. The power is off or the fuse is blown.</li><li>2. There is a faulty wire connection.</li><li>3. The plugs are not connected properly.</li><li>4. The reverse switch is not completely engaged.</li></ol>	<ol style="list-style-type: none"><li>1. Turn the power on or check the fuse.</li><li>2. Turn the power off. Loosen the canopy and check all connections.</li><li>3. Check that the 9-pin connectors from the light kit and fan are connected properly.</li><li>4. Push the reverse switch completely to the left or right.</li></ol>
The fan is noisy.	<ol style="list-style-type: none"><li>1. The blades are loose.</li><li>2. There is a cracked blade.</li><li>3. The wall control is not compatible with the fan.</li><li>4. The outlet box is not secure.</li><li>5. The mounting bracket is not secure.</li></ol>	<ol style="list-style-type: none"><li>1. Check and tighten all screws that hold the fan blades to the blade arms and the motor.</li><li>2. Replace the cracked blade.</li><li>3. Do NOT use a full range dimmer switch to control the fan speed.</li><li>4. Ensure the outlet box is secured to the building structure.</li><li>5. Ensure the mounting bracket is secured to the outlet box and that the screws are tight.</li></ol>



## TROUBLESHOOTING

PROBLEM	POSSIBLE CAUSE	CORRECTIVE ACTION
There is excessive wobbling.	<ol style="list-style-type: none"> <li>1. The blades and/or blade arms are loose.</li> <li>2. The blades are unbalanced.</li> <li>3. The fan mounting is not secure.</li> <li>4. The fan is too close to the vaulted ceiling.</li> <li>5. The set screw on the motor assembly yoke is loose.</li> </ol>	<ol style="list-style-type: none"> <li>1. Check and tighten all screws that hold the fan blades to the blade arms and the blade arms to the motor.</li> <li>2. Switch one blade with a blade from the opposite side. Or balance the fan using a blade balancing kit (sold separately).</li> <li>3. Turn off the power. Loosen the canopy and verify that the mounting bracket is secure to the electrical outlet box. The bracket must be flush without movement against the outlet box.</li> <li>4. Use a longer downrod (sold separately) or move the fan to another location.</li> <li>5. Lift up the yoke cover and tighten the set screw to the yoke until secure.</li> </ol>
The fan operates correctly, but the lights are not working.	<ol style="list-style-type: none"> <li>1. The bulbs are not installed correctly.</li> <li>2. The light kit wire plugs are not connected properly.</li> <li>3. There is a faulty wire connection.</li> </ol>	<ol style="list-style-type: none"> <li>1. Re-install the bulb(s).</li> <li>2. Ensure the 9-pin connectors are properly secured.</li> <li>3. Turn the power off and check all connections at the ceiling outlet box.</li> </ol>
Remote control does not work.	<ol style="list-style-type: none"> <li>1. Power surge may have cleared memory and remote needs to be re-synced to the receiver.</li> <li>2. Battery in remote control needs to be replaced.</li> <li>3. Interference from another remote.</li> </ol>	<ol style="list-style-type: none"> <li>1. To re-sync wall control to the fan - Switch the power to the fan off and back on again. Within 30 seconds, press and hold the HIGH SPEED and LOW SPEED buttons (or the "LEARN" button, located in the battery compartment) for 5 seconds. Fan will turn on at low speed and light off. This confirms the syncing process is successful.</li> <li>2. Insert new CR2032 batteries in battery compartment of the wall control.</li> <li>3. If there are several fans in close proximity, turn power off to other fans and re-sync the remote (see Corrective Action 1 above).</li> </ol>

## **LIMITED LIFETIME WARRANTY**

---

The manufacturer warrants this fan to be free from defects in workmanship and materials present at time of shipment from the factory for a lifetime from the date of purchase by the original purchaser. The retailer also warrants that all other fan parts, excluding any glass or plastic blades, to be free from defects in workmanship and material at the time of shipment from the factory for a period of one year after the date of purchase by the original purchaser. The manufacturer agrees to correct such defects without charge or at its option replace the ceiling fan with a comparable or superior model.

To obtain warranty service, present a copy of the receipt as proof of purchase. All costs of removing and reinstalling the product are your responsibility. Any damage to any part such as by accident or misuse or improper installation or by affixing any accessories, is not covered by this warranty. The manufacturer assumes no responsibility whatsoever for fan installation during the limited lifetime warranty. Any service performed by an unauthorized person will render the warranty invalid.

Due to varying climate conditions, this warranty does not cover any changes in brass finish, including rusting, pitting, corroding, tarnishing or peeling. Brass finishes of this type give their longest useful life when protected from varying weather conditions. Any glass provided with this fan is not covered by the warranty.

Any replacement of defective parts from the ceiling fan must be reported within the first year from the date of purchase. For the balance of the warranty, call our customer service department for return authorization and shipping instructions so that we may repair or replace the ceiling fan. Any fan or parts returned improperly is the sole responsibility of the purchaser. There is no other expressed warranty. The manufacturer disclaims any and all warranties. The duration of any implied warranty which cannot be disclaimed is limited to the time period as specified in the expressed warranty. The manufacturer shall not be liable for incidental, consequential, or special damages arising out of or in connection with product use or performance except as may otherwise be accorded by law. This warranty gives specific legal rights, and you may also have other rights which vary from state to state.

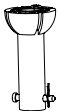
This warranty supersedes all prior warranties.

**Note:** A small amount of “wobble” is normal and should not be considered a defect.

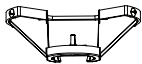
## REPLACEMENT PARTS LIST

For replacement parts, call the customer service department at 1-888-251-1003, 8 a.m. - 8 p.m., EST, Monday - Sunday. You could also contact us at [partsplus@lowes.com](mailto:partsplus@lowes.com) or visit [www.lowespartsplus.com](http://www.lowespartsplus.com).

PART	DESCRIPTION	PART#
A	Downrod	4L000013400
D	Mounting Bracket	4L000014050
E	Canopy	4L000015180
F	Canopy Cover	4L000013420
L	Yoke Cover	4L000013440
N	Remote Pack	4L000015190
O	Light Kit	4L000013430
P	Glass Bowl	4L000013450
Q	Blade Arm (x5)	4L074100001
R	Blade (x5)	4L085690001
HW	Hardware Kit	4L000013460



A



D

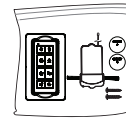


F

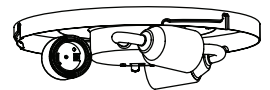
E



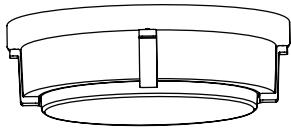
L



N



O



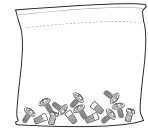
P



Q



R



HW