

# FRAMED MIRROR

**SKU:** F3MR2436MB

F3MR2436WT

F3MR2436BG

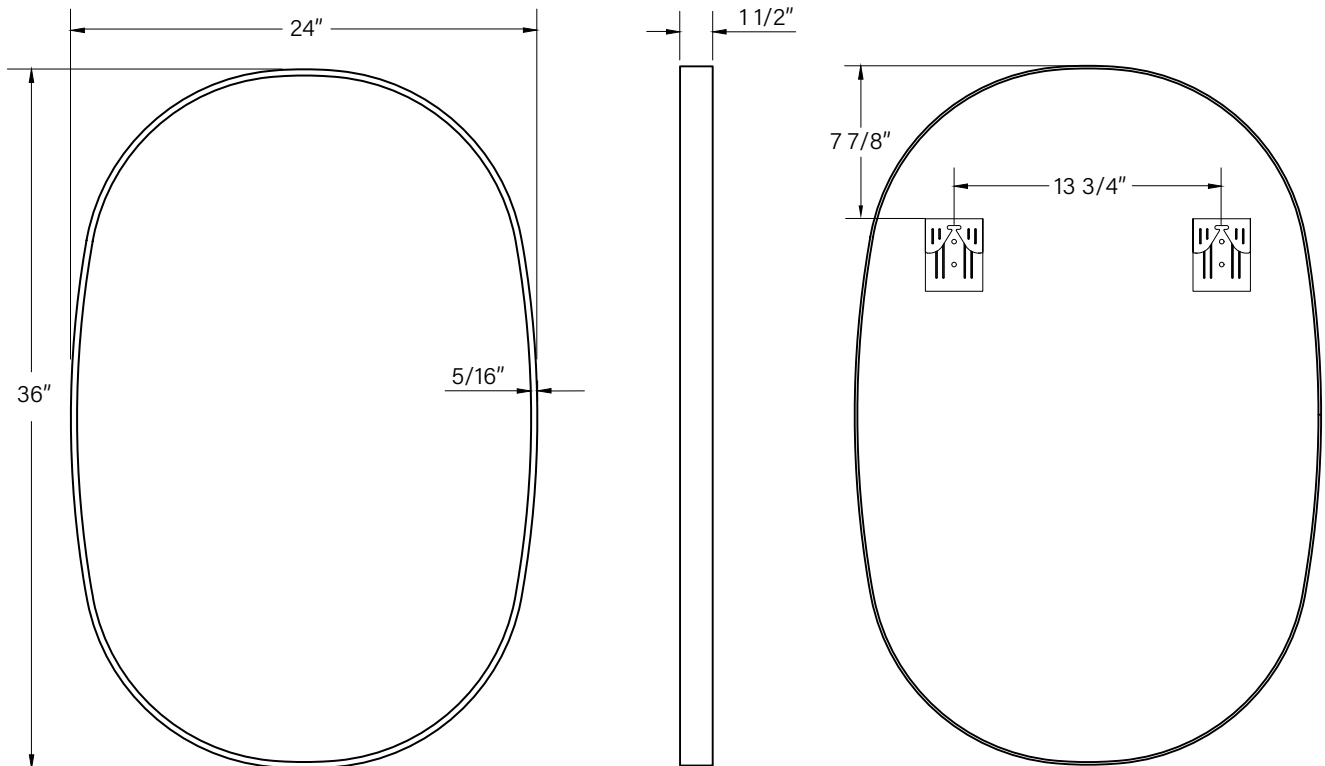
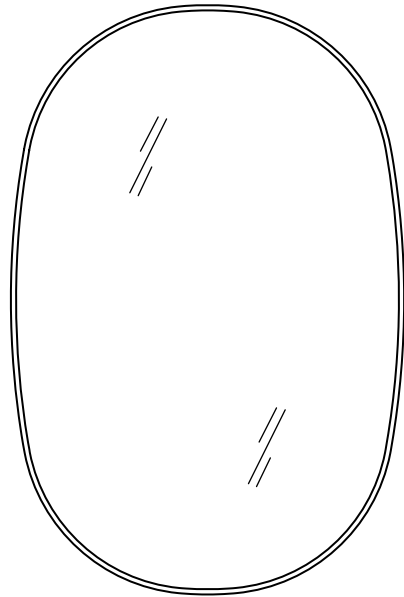
Colors/Finishes: Matte Black(MB), White(WT), Brushed Gold(BG)

Nominal Dimension: 24W\*1.5D\*36H inches

## FEATURES:

- Durable aluminum frame
- Modern sloping edge design
- Eco-friendly coating mirror glass
- Long lasting color finish

## PRODUCT DIAGRAMS:



All dimensions and specifications are nominal and may vary. Use actual products for accuracy in critical situations.

page 1/4

# Mirror Installation

## SUGGESTED TOOLS AND MATERIALS



Screwdriver



Level



Drill



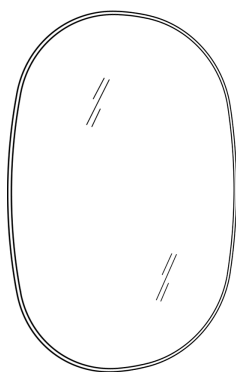
Tape Measure



Safety Glasses

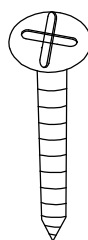
## PARTS

①



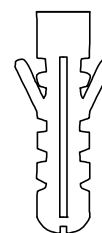
MIRROR(1 PCS)

②



ST4.2\*45(2 PCS)

③

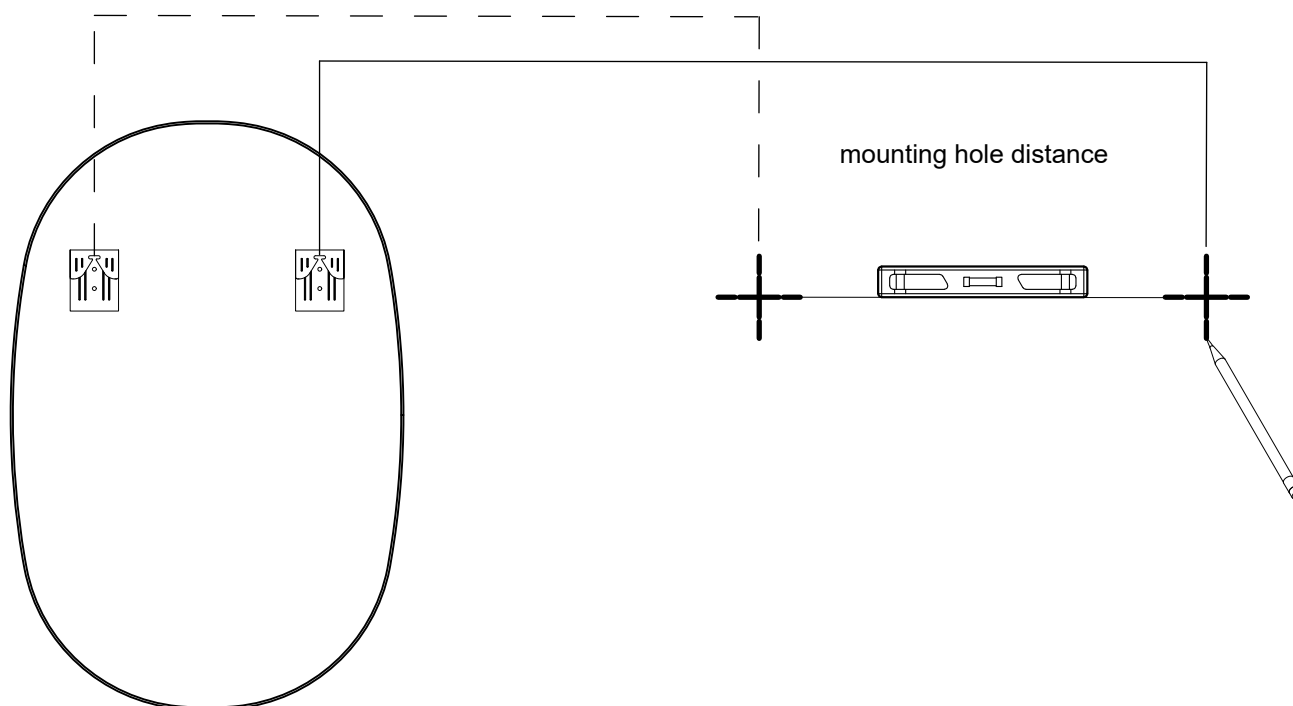


WALL PLUG(2 PCS)

## INSTALLATION INSTRUCTIONS

### STEP 1

Select the desired position of the mirror. Level and mark the mounting holes on the wall.

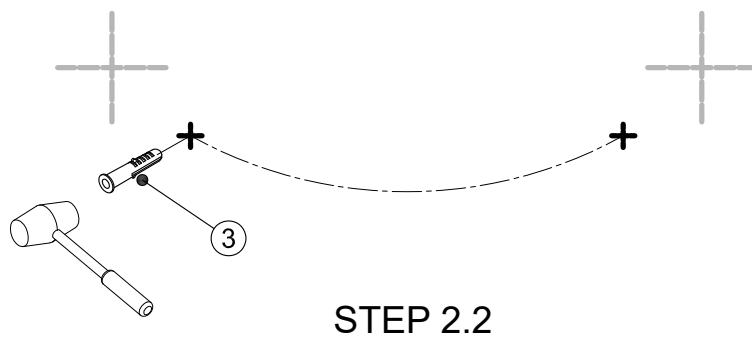
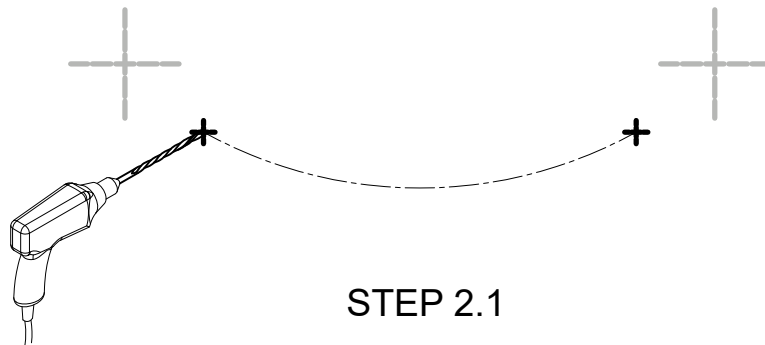


# Mirror Installation

## STEP 2

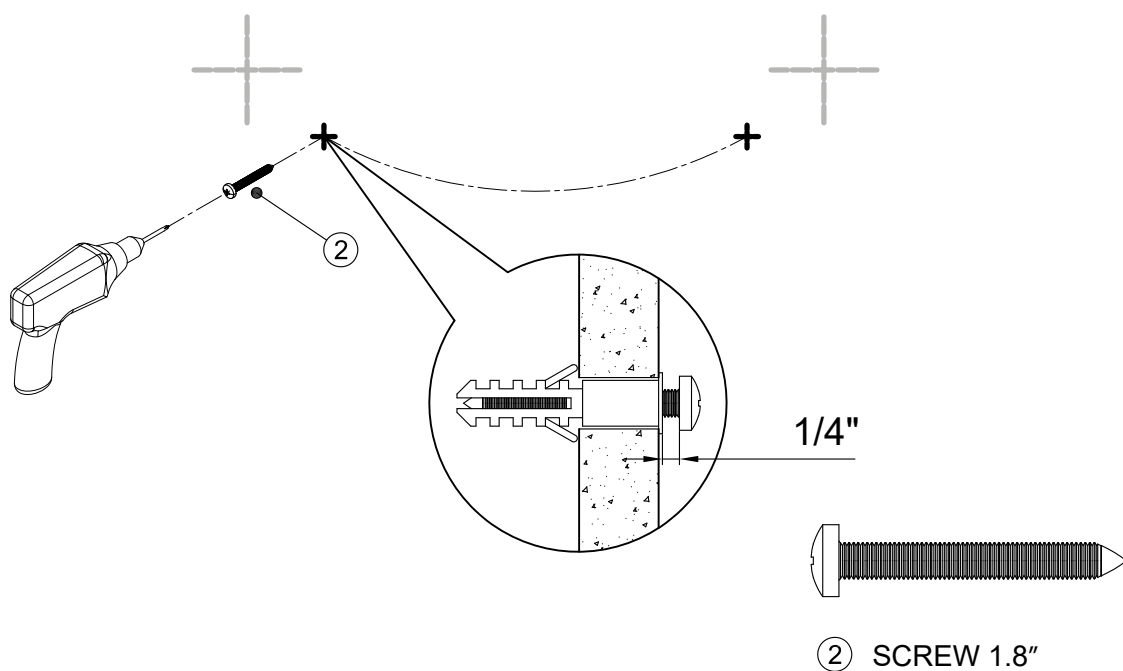
2.1 Drill holes about 2" deep at each of the marked locations.

2.2 Insert wall plugs (3).



## STEP 3

Install Screw (2). Leave a gap of 1/4" between the head of the screw and the wall.



# Mirror Installation

---

## STEP 4

Place the mirror against the wall and slide it down, as shown in Figure 2.

