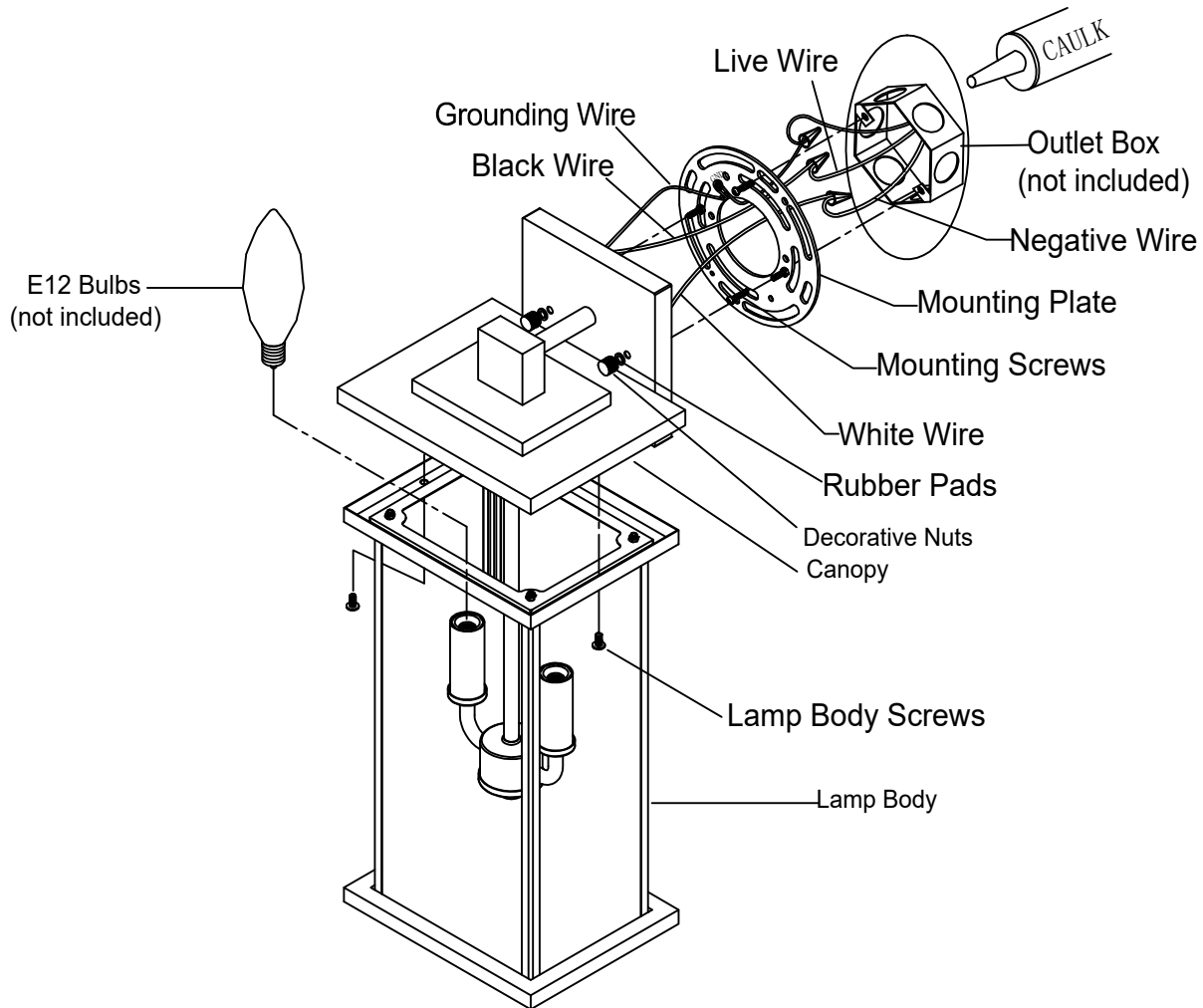


ASSEMBLY AND INSTALLATION INSTRUCTIONS

Model:CA2580-JUN

WARNING: TO AVOID RISK OF ELECTRICAL SHOCK, BE SURE TO SHUT OFF POWER WHILE INSTALLING OR SERVICING THIS FIXTURE

NOTES:1.Before installing, consult local electrical codes for wiring and grounding requirements.
2.READ AND SAVE THESE INSTRUCTIONS.



1.Take out the mounting plate and fix it to the outlet box with two box screws as shown in the figure.

Note: the side of mounting plate marked "GND" must face out.

2.Install two E12 bulbs or CFL or LED equivalent bulb up to 40 watts according to the lighting fixture (not included).

3.Pull out the wires and grounding wire from the outlet box. Make wire connections using wire nuts, as follows:

–Connect the hot wire (usually black) from the fixture to the hot (usually black) wire from the power source.

–Connect the neutral wire (usually white) from the fixture to the neutral (usually white) wire from the power source.

–Attach the fixture grounding wire (usually green or bare wire) to the mounting plate with the green grounding screw marked **GND**. Then connect it to the house grounding wire with wire nut.

For safety purpose, wrap the connections with electrical tape, then carefully put the wires back into the outlet box.

4.Attach the back plate to the mounting plate by inserting the screws, and then fixed with two Rubber Pads and two Decorative nuts.

Caution: With silicone caulking compound, caulk completely around where the back plate meets with the wall surface to prevent water from seeping into the outlet box.

Turn on the power at fuse or circuit box