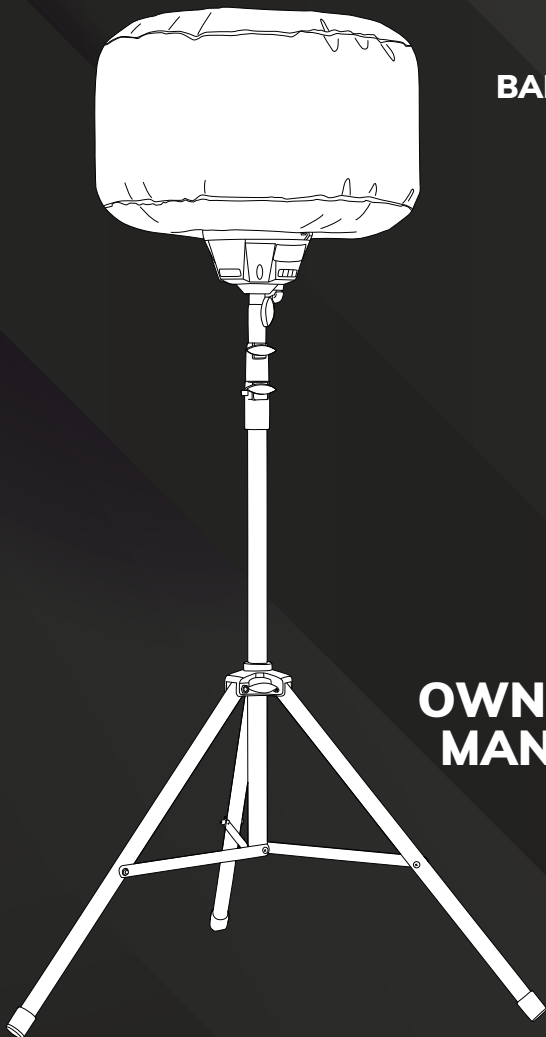




**LED
BALLOON
LIGHT**
60 WATT
150 WATT



**OWNER'S
MANUAL**



**CALIFORNIA PROPOSITION 65
WARNING**



This product may contain chemicals known to the state of California to cause cancer, birth defects, or other reproductive harm.

For more information: www.P65Warnings.ca.gov

Read this manual carefully before operating this machine. The SeeDevil Owner's Manual should stay with the machine if it is sold.

DO NOT THROW AWAY OWNER'S MANUAL.

SeeDevil LED Balloon Lights

Owner's Manual

© 2019 by Rezek Engineering

1st Edition, July 2019

Any reprinting or unauthorized use without the written permission of Rezek Engineering is expressly prohibited.

Printed in U.S.A.

Part Number: SD-OM-AUG18-G1



Congratulations on your purchase of your
60/150 Watt SeeDevil LED Balloon Light.

This manual includes assembly and product use information. Please read the manual carefully before using to ensure proper use and safety while operating and transporting your SeeDevil LED Balloon Light.

IMPORTANT MANUAL INFORMATION

- ⚠ This is the safety alert symbol. It is used to alert you to potential personal injury hazards. Obey all safety messages that follow this symbol to avoid possible injury or death. This symbol is also used to indicate a hazardous situation which, if not avoided, could result in serious injury or death.
- ⚠ **WARNING:** USING THIS PRODUCT FOR ANY OTHER PURPOSE OR IN ANY OTHER WAY THAN EXPLAINED IN THE OWNER'S MANUAL COULD LEAD TO DEATH OR SERIOUS INJURY.
- ⚠ **WARNING:** KEEP OUT OF REACH OF CHILDREN.
- ⚠ **WARNING:** CHILDREN CAN SUFFOCATE BY PLAYING INSIDE UNINFLATED LED BALLOON LIGHT DIFFUSER. TO AVOID RISK, PLEASE KEEP LED BALLOON LIGHT DIFFUSER AND ANY BAGS AWAY FROM CHILDREN & BABIES. DO NOT PUT ANY BODY PARTS INSIDE THE DIFFUSER OR CARRY BAGS.
- ⚠ **WARNING:** THIS PRODUCT CONTAINS SMALL PARTS THAT COULD CAUSE CHOKING. TO AVOID RISK, PLEASE KEEP AWAY FROM CHILDREN & BABIES.
- ⚠ **WARNING:** PLEASE READ AND UNDERSTAND THIS MANUAL COMPLETELY BEFORE OPERATING THE MACHINE.

For additional information, please contact a SeeDevil dealer, visit www.SeeDevil.com, or call 877-659-5476.

SeeDevil is constantly improving products and reserves the right to make product changes at any time without notice and with no obligation to any products designed or manufactured at any time. This manual contains the most current product information available at the time of printing, there may be minor discrepancies between your product and this manual. If there are any questions, please contact a SeeDevil dealer or visit www.SeeDevil.com. This manual should be considered a permanent part of this SeeDevil LED Balloon Light and should remain with this product when resold.

TABLE OF CONTENTS

1. Safety Information	4
1.1 Falling or Tipping Over	4
1.2 Electrical Shock	4
1.3 Carry Bag	5
1.4 Operation in Weather Conditions	5
1.5 Fire/Explosion	5
1.6 High Temperature	5
1.7 Modification to Fixture	5
2. Product Description	6
3. Control Function	7
4. Preparation & Operation	8
4.1 Tripod Preparation & Operation	9
4.2 LED Balloon Light Fixture Preparation	10
5. Maintenance, Storage & Transport	12
6. Accessories	14
7. Consumer Information	16
8. Warranty Information	18
9. Warranty Statement	20

1. SAFETY INFORMATION

1.1 WARNING: FALLING OR TIPPING OVER

- Set up and place the tripod on a flat level surface. Ensure that all legs of the tripod are completely extended and the screw knob on the bracket connecting the legs to the tripod center tube at the base is firmly tightened. Do not use on unlevel surface.
- Never transport or move a fully assembled SeeDevil LED Balloon Light. Never move while LED Balloon Light Fixture is on the tripod or while the tripod unit is extended. If the fixture must be moved or transported, first turn off power, remove the fixture and then close the tripod as indicated by the instructions in the owner's manual, then move.
- Make sure the fixture is properly fastened to the tripod before use. Firmly tighten the screw knobs before use.
- Before extending or retracting the telescoping function on the tripod, be sure that the two knobs are loosened. For retraction, firmly grip and brace the fixture to avoid sudden retraction. Failure to do which may result in damage to the product or serious injury.
- Do not operate this unit when mounted to tripod in conditions with wind gusts exceeding 20 MPH. See page 5: 1.4 Operation in Weather Conditions.

1.2 WARNING: ELECTRICAL SHOCK

- This SeeDevil LED Balloon Light is rated IP42 for dust and water resistance and can be operated in mildly wet conditions when mounted to the tripod. For more information on use in weather conditions, please contact SeeDevil customer support.
- Turn power OFF and unplug before handling the unit. Failure to do so may result in electrical shock, serious injury or death.
- DO NOT operate when in rain or snow.

- NEVER touch the machine with wet hands or electrical shock may occur.
- Connect the ground lead of the machine to the ground terminal of the power source.
- Extension cords should be protected by a tough flexible rubber sheath (IEC245) or the equivalent to withstand mechanical stresses.

 **1.3 WARNING: CARRY BAG**

- DO NOT OPERATE LED BALLOON LIGHT WHILE IN CARRY BAG. ALWAYS OPERATE THE LED BALLOON LIGHT FREE OF CONSTRAINTS.

 **1.4 OPERATION IN WEATHER CONDITIONS**

- DO NOT OPERATE WHEN MOUNTED ON TRIPOD IN WIND SPEEDS EXCEEDING 20 MPH, FOR USE IN WINDS EXCEEDING 20 MPH, USE STAKES OR SAND-BAGS TO ANCHOR THE TRIPOD TO THE GROUND.
- DO NOT OPERATE IN EXTREME WEATHER CONDITIONS, FOR MORE INFORMATION, CONTACT SEEDEVEL CUSTOMER SERVICE.

 **1.5 CAUTION: FIRE/EXPLOSION**

- Please use in a ventilated area.

 **1.6 CAUTION: HIGH TEMPERATURE**

- DO NOT touch fixture when product is turned on. This may result in burns or other serious injury. Always wait at least 10 minutes to handle after turning power to the unit off.

 **1.7 CAUTION: MODIFICATION TO UNIT**

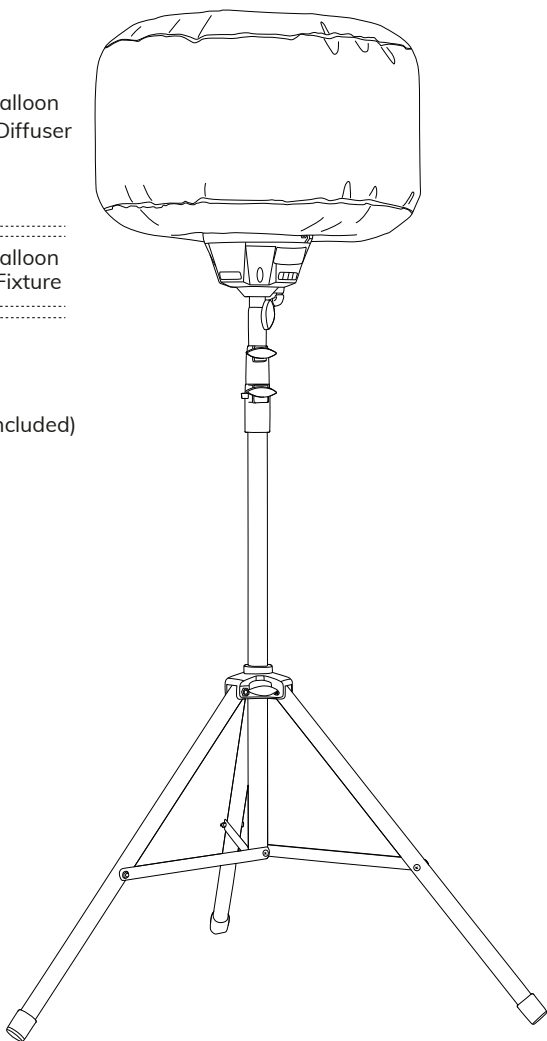
- DO NOT modify or remove any parts from the unit. Modifications and removal of parts may lead to serious harm or death. All parts are designed for intended use of this product. Any modification or removal of parts violates all warranties and agreements, and may lead to serious harm or death.

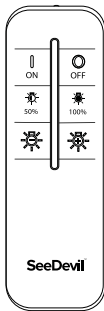
2. PRODUCT DESCRIPTION

1 LED Balloon
Light Diffuser

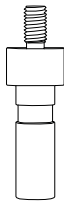
2 LED Balloon
Light Fixture

3 Tripod
(Not included)

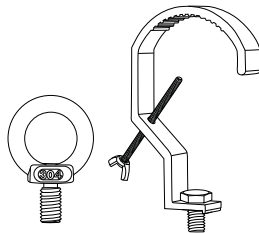




Remote
Control



Tripod
Adapter



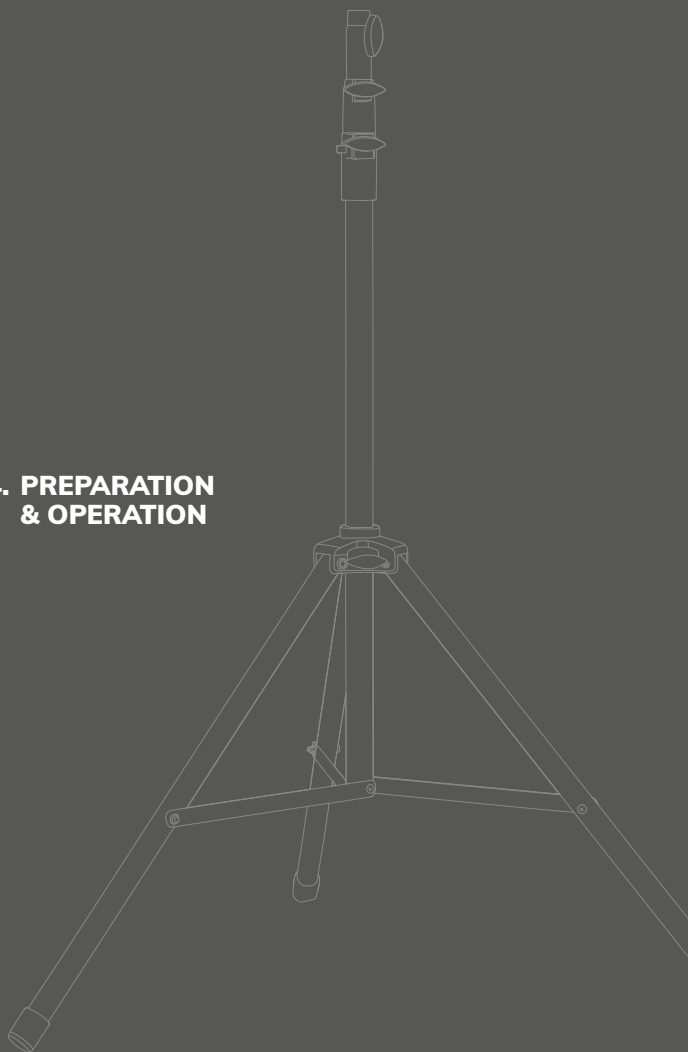
Eye Bolt

C-Clamp

3. CONTROL FUNCTION

- Your SeeDevil LED Balloon Light is powered on and off by plugging/unplugging the unit into a US standard 110 V NEMA 5-15 receptacle (standard US socket). More control functions such as dimming are available through the use of the remote control. Please see the remote control section on p. 15 for more detailed information. To power on, plug the fixture into the power source. To power off, unplug the fixture from the power source. **DO NOT USE ANY POWER SOURCE OTHER THAN A STANDARD 15 A, 110 V NEMA 5-15 RECEPTACLE.**
- SeeDevil Remote Controls are universal. Any SeeDevil Remote Control will work with any SeeDevil LED Balloon Light. Control multiple units at the same time all using one remote.

4. PREPARATION & OPERATION



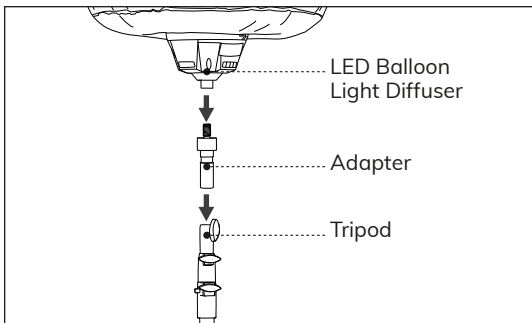
4.1 TRIPOD PREPARATION AND OPERATION **(TRIPOD NOT INCLUDED)**

- Select a level surface to set up the tripod. Allow for a minimum of 3 x 3 feet for the tripod setup location.
- Remove tripod from carrying case.
- Carefully stand the tripod upright, with the three legs pointing down and the Tripod Adapter on the top.
- Loosen the screw knob at the base, then pull the legs apart spreading the 3 legs while sliding the support bracket down until it stops. Make sure legs are fully extended.
- Tighten the bottom most screw knob securing tripod legs.
- Return to the top of the portion of the tripod. Loosen the two screw knobs.
- Mount the LED Balloon Light Fixture on the Tripod Adapter and firmly tighten the screw knob fastening the LED Balloon Light Fixture to the Tripod Adapter.
- Using your hands, slide one tripod extension pole up and firmly tighten the screw knob. After one extension pole has been extended and secured by the screw knob follow the same procedure for the second extension pole to reach desired height. **DO NOT** extend further than the red line, surpassing the red line creates an unstable tripod which may result in serious injury or death. **Caution: Pinch point may occur, be careful to not pinch or injure hands. If you are unsure or unable to operate this equipment DO NOT operate. Please consult an expert.**
- To retract the tripod, first firmly grip the extension pole of which you are retracting. Loosen one black screw knob, then using your hands slide the extension pole down into the tripod assembly. Repeat once more for the second extension pole if extended. **Caution: Pinch point may occur, be careful to not pinch or injure hands. If you are unsure or unable to operate this equipment DO NOT operate. Please consult an expert.**

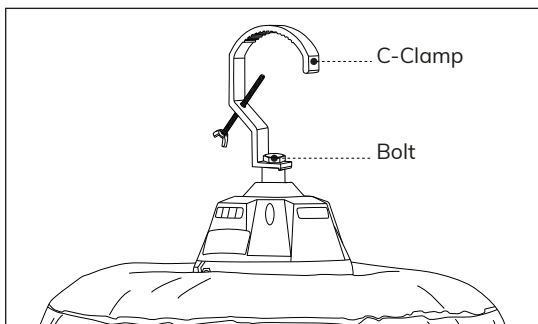
- Loosen screw knob on the bottom of the tripod. Close the tripod legs, then tighten of the lower screw knob.
- Avoid pinching or injuring hands and fingers. Recheck and tighten all screw knobs to ensure secure travel.
- For tripod transportation: retract completely, close tripod legs, secure all screw knobs and place in the tripod carry bag

4.2 LED BALLOON LIGHT FIXTURE PREPARATION

- Your LED Balloon Light comes fitted with the LED Balloon Light Diffuser, so all you have to do to get started is choose your adapter piece, install it and plug the balloon light in.
- Gently remove SeeDevil LED Balloon Light from packaging, do not use razor knife or any sharp object to remove packaging.
- Select adapter piece to install on SeeDevil LED Balloon Light. (Eye Bolt, C-Clamp, Tripod Adapter). Securely install the adapter piece and begin use.
- For use with tripod, simply install the Tripod Adapter firmly, then slide the adapter with the light into the tripod. Before installing the light on the tripod, make sure to follow and complete each step presented in **4.1 Tripod Preparation**. Failure to properly prepare or setup the tripod could result in serious injury or death.



- Loosen the black screw knob on the bottom of the fixture's mounting tube. Slide the fixture into the tripod and securely tighten the black screw knob to safely mount the fixture.
- **For use with Eye Bolt:** Firmly screw Eye Bolt into screw base at the bottom of the LED Balloon Light. To ensure firm installation, using a screw driver to torque the Eye Bolt, turning in a clockwise direction. **Caution: Overcranking may result in serious injury.**
- **For use with C-Clamp:** Using included wrench, firmly tighten 3/8" bolt at the base of the fixture. Firmly mount to pole. Do not install on a pipe or pole less than or larger than 2" outside diameter. When mounting the fixture to a pipe or pole, be sure mounting location can support the load of the fixture. Failure to do so may result in injury or death. **DO NOT USE THE CLAMP SYSTEM WITHOUT CONSULTING A PROFESSIONAL OR SEEDEVIL REPRESENTATIVE.**



- For hanging, suspending, clamping or any installation/mounting of the SeeDevil LED Balloon Light in anyway or form, please refer to an expert or SeeDevil representative. **DO NOT PERFORM ANY INSTALLATIONS, IN ANY FORM WITHOUT CONSULTING AN EXPERT OR CONTACTING A SEEDEVIL REPRESENTATIVE AT WWW.SEEDEVIL.COM/CONTACTUS.**

**5. MAINTENANCE,
STORAGE
& TRANSPORT**



MAINTENANCE

- We recommend cleaning the fixture after every use.
- Before performing maintenance, make sure the fixture is turned off and unplugged from any power source.
- To clean the LED Balloon Light Diffuser, first remove bolt and plastic ring. Gently take off the LED Balloon Light Diffuser. Remove the 4 tabs. Clean the LED Balloon Light Diffuser with warm water and compressed air. DO NOT put in the washing machine or dryer. A light soap solution may be used to wash the diffuser. Hang dry. Only reinstall the diffuser once completely dry. DO NOT reinstall when wet. To reinstall, simply re-attach the 4 tabs on the LED Balloon Light Fixture, pull the diffuser down onto the recessed section of the fixture and reinstall the plastic ring securely installing the bolt.
- To clean the fixture hardware, use compressed air and gently blow out the interior and exterior of the fixture.
- To maintain the tripod, simply wipe down with a cloth and warm water. A light soap solution may be used. Make sure to dry the fixture after wetting.

STORAGE & TRANSPORT

- After operation, remove LED Balloon Light Diffuser, fold and store in protected area.
- Always store the fixture and tripod in their carry bags to ensure additional protection during transport and storage.
- Store the LED Balloon Light in a clean and dry place.
- If the products are used in weather elements, always clean and dry the products entirely before storage or transport.

6. ACCESSORIES



C-CLAMP

The C-Clamp is a 2" pipe clamp meant for poles, pipes, scaffolds no larger than 2". When using the SeeDevil clamp system, first make sure the pole, pipe or mounting location suitable for the chosen clamp is strong enough to mount or suspend any objects from it. Only mount the clamp system to locations meant for installing, hanging, clamping or mounting heavy objects to them, such as theatre scaffolding.

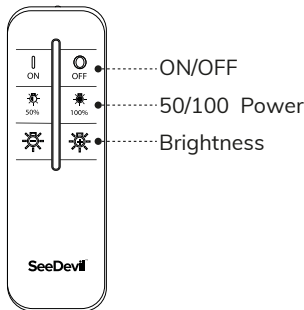
TRIPOD ADAPTER

The Tripod Adapter piece allows for the SeeDevil LED Balloon Light to be installed on the SeeDevil 6.5 ft Tripod. To install, firmly screw in the Tripod Adapter to the base of the LED Balloon Light Fixture and slide into the tripod. For details visit p. 10-11 of this owner's manual.

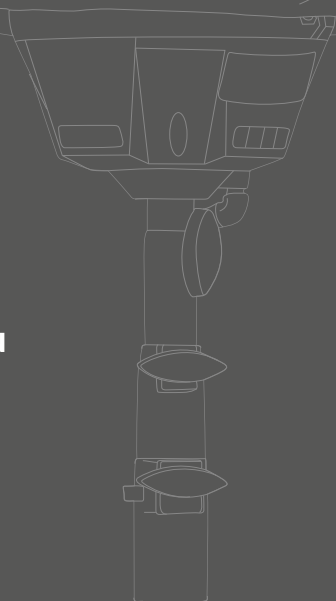
EYE BOLT

The Eye Bolt allows for the LED Balloon Light to be suspended using the Eye Bolt. Install the Eye Bolt by firmly screwing it into the base of the LED Balloon Light Fixture. For details visit p. 11 of this owner's manual.

REMOTE CONTROL



7. CONSUMER INFORMATION



CONSUMER INFORMATION

- The Part Number and Serial Number can be found on the specifications sticker located on the side of the LED Balloon Light Fixture. These are your product identification numbers. Please keep record of these numbers as well as the purchase date.
- Keep these ID numbers in a separate place in case your product is stolen.
- Use the Part Number and Serial Number when ordering parts from a SeeDevil dealer.



**8. WARRANTY
INFORMATION**



WARRANTY INFORMATION

For detailed warranty information, please visit:
www.SeeDevil.com/warranty

PRODUCT:	SeeDevil LED Balloon Light
PART NUMBER:	
SERIAL NUMBER:	

Please hold onto your SeeDevil LED Balloon Light purchase invoice in order to claim your 3-Year limited warranty free from defects. For more information, visit:
www.SeeDevil.com/warranty

For general inquiries, please visit:
www.SeeDevil.com/contactus

Or call:
1-877-659-5476



LED BALOON LIGHT SERIES 3-YEAR LIMITED WARRANTY

SeeDevil™ hereby warrants that new SeeDevil™ LED Balloon Lights purchased from authorized SeeDevil™ dealers in the United States will be free from defects in material and workmanship for the period of the time stated herein, subject to certain stated limitations. In order to claim warranty, products must be registered via www.SeeDevil.com. SeeDevil™ voids its obligations to warranty on any and all products that are not registered within 90 days of purchase. Please keep purchase order/invoice for registration purposes, failure to do so may result in the inability to register SeeDevil™ products. For warranty assistance please call 1-877-659-5476 or email info@SeeDevil.com

THE PERIOD OF WARRANTY: any new SeeDevil™ LED Balloon Light purchased from an authorized SeeDevil™ dealer or SeeDevil™ in the United States will be warranted against defects in material and workmanship for a period of three (3) years from the date of purchase for pleasure or non-commercial use/applications, subject to exclusions noted herein. SeeDevil™ LED Balloon Lights purchased for commercial or rental use/applications from an authorized SeeDevil™ dealer or SeeDevil™ in the United States will be warranted against defects in materials or workmanship for a period of one (1) year from date of purchase subject to exclusions noted herein.

DURING THE PERIOD OF WARRANTY: any authorized SeeDevil™ dealer will, free of charge, repair or replace, at SeeDevil's option, any part judged defective by SeeDevil™ due to faulty workmanship or material from the factory. Parts used in warranty repairs will be warranted for the balance of the product's warranty period. Failures other than those resulting from defects in material workmanship which arise solely as a result of owner abuse, use and/or lack of proper maintenance are not covered by this warranty. All parts replaced under warranty become the property of SeeDevil™.

GENERAL EXCLUSIONS from this warranty shall include any failures caused by:

- a. Installation of parts or accessories that are not qualitatively equivalent to genuine SeeDevil™ parts.
- b. Abnormal strain, neglect, or abuse.
- c. Wear and tear – wearing down of parts due to product use.
- d. Lack of proper maintenance.
- e. Accident or collision damage or any act of God.

- f. Product modification

SPECIFIC EXCLUSION from this warranty shall include parts replaced due to normal wear or routine maintenance.

1. Shall include parts replaced due to normal wear or routine maintenance.
2. Excluded from this warranty are any incidental or consequential damages, including loss of use.

THE CUSTOMER'S RESPONSIBILITY under this warranty shall be to:

1. Operate and maintain the LED Balloon Light as specified in the appropriate Owner's Manual.
2. Give notice to an authorized SeeDevil™ dealer of any and all apparent defects within ten (10) days after discovery, and make the machine available at the time for inspection and repairs at such dealer's place of business. You may locate your nearest authorized SeeDevil™ dealer online at www.SeeDevil.com.

**Three (3) years of private, non-commercial use
One (1) year for commercial or rental use/applications.**

Questions concerning this warranty? Contact SeeDevil™ at:
SeeDevil™
970 Reece St.
San Bernardino, CA, 92411
1-877-659-5476
info@SeeDevil.com

WARRANTY TRANSFER: to transfer any remaining warranty from the original purchaser to any subsequent purchaser, it is imperative that the unit be inspected and registered for warranty by an authorized SeeDevil™ dealer. In order for this warranty to remain in effect, this inspection and registration must take place within ten (10) days after transfer. A reasonable dealer imposed fee may be charged for the inspection.

SeeDevil™ makes no other warranty of any kind, express or implied. Implied warranties of merchantability and fitness for a particular purpose which exceed the obligations and time limits stated in the warranty are hereby disclaimed by SeeDevil™ and excluded from this warranty.



Website

www.SeeDevil.com



Toll Free Number

877-659-5476



Email

info@SeeDevil.com

SeeDevil LED Balloon Lights
Owner's Manual

© 2019 by Rezek Engineering
1st Edition, July 2019

Any reprinting or unauthorized use without the
written permission of Rezek Engineering is expressly prohibited.

Printed in U.S.A.

Part Number: SD-OM-AUG18-G1