



OPERATING INSTRUCTION



**PBX-5
PORTABLE SPEAKER**

LINE IN JACK

1. Connect an audio cable (not included) to the LINE IN JACK of the speaker and to the audio output socket on the external audio devices such as MP3 player, discman, etc,then select LINE by pressing the MODE button on the front panel .
- 2.Play from an external audio device.

FM FUNCTIONS

- 1.Press MODE to select FM radio
 - 2.Press PLAY/PAUSE button on front panel for automatic searching and saving the radio stations.
- Press PREVIOUS/NEXT button to select a specific radio station.

LINE IN JACK

1. Connect an audio cable (not included) to the LINE IN JACK of the speaker and to the audio output socket on the external audio devices such as MP3 player, discman, etc,then select LINE by pressing the POWER/INPUT button on the front panel .
- 2.Play from an external audio device.

FM FUNCTIONS

- 1.Press POWER/INPUT to select FM radio
 - 2.Press PLAY/PAUSE button on front panel for automatic searching and saving the radio stations.
- Press PREVIOUS/NEXT button to select a specific radio station.

Bluetooth:

Please press POWER/INPUT button on control panel to select Bluetooth mode. Simultaneously open the Bluetooth setting on your phone, tablet or any other bluetooth enabled audio device and select "PBX-5 "(no need to match code),the unit and device will then connected via Bluetooth. Press the "next song" and "previous song" button on the control panel to select the song, press" play/pause" button to control the playing status.

SAFETY MEASURES

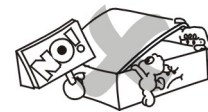
To ensure proper use of this product, please take the time to read this instruction manual carefully before use. Please observe all the instructions about safe operation and please keep this instruction manual in a safe place for future reference.



(1)



(3)



(2)



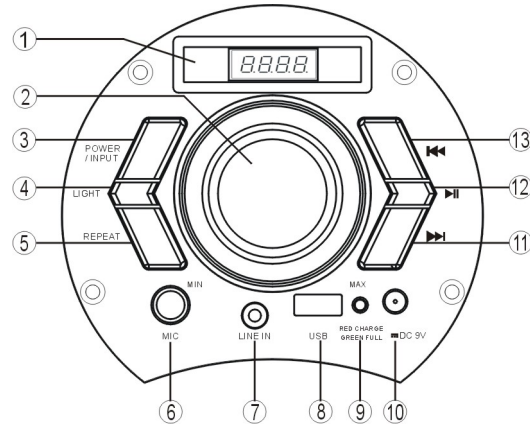
(4)

1. Protection of power supply wire: Do not place the cable in the path of foot traffic. Do not place heavy furniture on the cable. Never pull the cable to unplug the unit from the socket, always disconnect the unit from the main power supply by pulling the plug out of the socket.
2. Ventilation: In order to prevent this unit from overheating, place it in a well ventilated area on a stable surface. Never place it on a bed, sofa or carpet where the ventilation will be restricted.
3. Dismantling: In order to avoid the risk of electric shock, do not dismantle the unit. Should your unit be faulty or broken please refer servicing to an authorized service center.
4. Strange Odour: Should your unit emit any strange odour, immediately unplug it from the wall socket. Do not use the unit again until you have had it repaired by a qualified service center.
- 5.Do not expose this unit to liquid of any kind.

SPECIFICATIONS

Power Output:	10W
Frequency Response	
for main speaker:	50Hz-20KHz
Power Supply:	DC9V

Control Panel Function



- 1.LED Display
- 2.Volume Adjustor
- 3.Power/Input (Hold for 3 seconds to switch on/off the unit and mode selection for Bluetooth,FM Radio,Line Input,USB)
- 4.Light (Light mode selection & switch on/off button)
- 5.Repeat
- 6.Mic Input
- 7.Line Input
- 8.USB Port
- 9.Charging Indicator
RED=Charging
GREEN= Full Charged
- 10.DC interface (9V)
- 11.Next track
- 12.Play/Pause (In FM mode,hold for 3 seconds the device will enter into automatic scan)
- 13.Previous track

POWER SOURCE

- 1.Please charge the unit at least 4 hours before first time using.
- 2.Long press the POWER/INPUT button on the panel to switch on or off the speaker.

CHARGE THE BATTERY

When the battery is charging, the CHARGE STATUS lights red. After the battery has fully charged, the light turns to be green.

- 1.Connect the AC adaptor to the DC IN JACK of the speaker firmly, and plug it into a wall outlet.
- 2.When the battery is fully charged, first disconnect the AC adaptor from the speaker,then from the wall outlet.
- 3.The speaker works normally when charging.

POWER/INPUT BUTTON

Press POWER/INPUT button on the front panel to select the mode(LINE,USB,BT OR FM).

REPEAT FUNCTION

- 1.During playing status,press REPEAT button on the front panel once to repeat playing the current track.To cancel the repeat option,press the REPEAT button again.
- 2.REPEAT function only available for USB card playing modes(not for Bluetooth/Line /FM).

RECORDER FUNCTION

Recording: Insert USB card, plug in microphone, long press REPEAT button on the front panel, then the machine displays "rEC" to start recording, short press the REPEAT button to stop recording and play the recording automatically, press POWER/INPUT to return to USB card playing state.

Play the recording: Insert USB card, long press ►|| to play the recording file and press ◀◀ Or ▶▶ button to select recording file.

PREVIOUS/NEXT BUTTON

By pressing PREVIOUS/NEXT button on the front panel ,you can select a specific song from the play list.

PAUSE/PLAY BUTTON

To stop playing the current track,please press PAUSE/PLAY button on the front panel.Press it once again to continue playing.

VOLUME ADJUSTMENT DIAL

Twist the dial anticlockwise to decrease the volume and clockwise to increase the volume.

MIC IN JACK

Plug in microphone directly for playing.

USB JACK

Insert USB card directly for palying