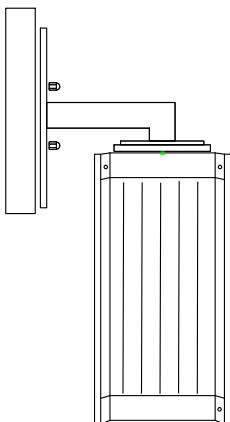


Manual Book

Wall Lamp

Model No.: A280-1



ANTOINE

Light up your life!

Safety Rules

WARNING: BE SURE THE ELECTRICITY TO THE WIRES YOU ARE WORKING ON IS SHUT OFF; EITHER THE FUSE IS REMOVED OR THE CIRCUIT BREAKER IS TURNED OFF. TURNING THE POWER OFF USING THE LIGHT SWITCH IS NOT SUFFICIENT TO PREVENT ELECTRICAL SHOCK.

NOTE: The important safeguards and instructions appearing in this manual are not meant to cover all possible conditions or situations that may occur. It must be understood that common sense, caution, and care, are factors which cannot be built into any product. These factors must be supplied by the person(s) installing this unit.

READ & SAVE THESE INSTRUCTIONS

CAUTION: Before assembling the lighting fixture, refer to the section titled Wiring Connections. If you feel you do not have enough electrical wiring experience, either refer to a do-it-yourself wiring handbook or have your lighting fixture installed by a qualified, licensed electrician.

UNPACK THE PACKAGE

Check the contents to be sure everything is included.

INSTALLATION & OPERATION INSTRUCTIONS GENERAL

Before starting the installation, disconnect the power by turning off the circuit breaker or by removing the appropriate fuse at the fuse box. Turning the power off using the light switch is not sufficient to prevent electrical shock. All electrical connections must be in accordance with local and National Electrical Code (NEC) standards. If you are unfamiliar with proper electrical wiring connections, obtain the services of a qualified electrician.

Remove the fixture and the mounting packages from the box and make sure that no parts are missing by referencing the illustrations on the installation instructions.

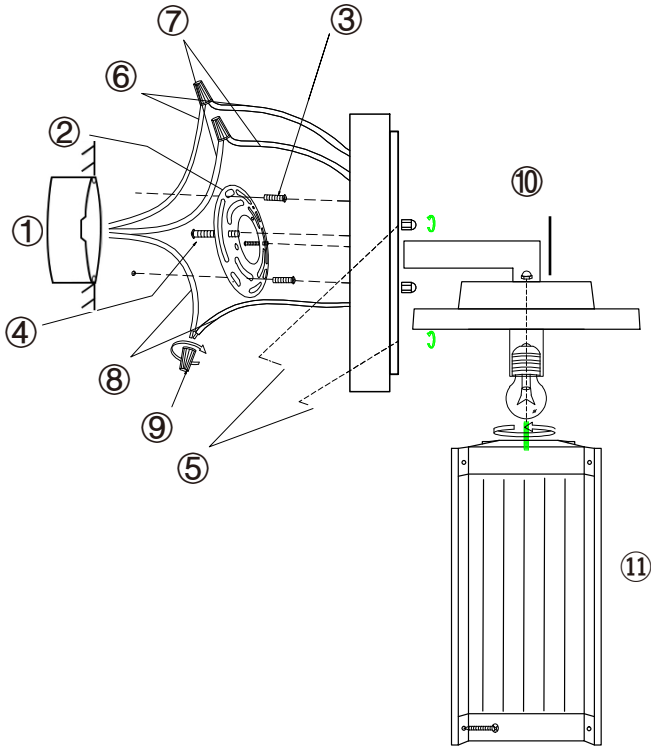
Be sure to read these installation instructions and review the diagrams thoroughly before installation.

LIGHT BULBS REQUIRED

This fixture uses E26 bulb base, works with incandescent, LED, CFL, halogen or color changing bulbs up to 60W. Fully dimmable when used with dimmable bulbs and a compatible dimmer switch (if applicable).

BULBS ARE NOT INCLUDED IN THIS ITEM. Please purchase the right bulbs you need.

Fixture Installation



NOTE: Please test the fixture before installation to ensure it's working properly.

1. Turn off power at circuit box to avoid possible electric shock.
2. Take off machine screw ③ from outlet box ①, attach the round bracket ② to outlet box ① with machine screw ③.
3. Pass the wires through round bracket ②, connect black/brown fixture wire ⑥ to live wire, white/blue fixture wire ⑦ to neutral wire, bare copper wire ⑧ to your ground wire (optional) with wire connector ⑨.
4. Attach fixture to the bracket ② with screw ④ and nut ⑤ provided.
5. Take off light shade ⑪ from the fixture by loosening screw ⑩.
6. Install a bulb (E26 x 1, Max. 60W, LED recommended).
7. Attach the shade back to the fixture by the screw ⑩.

NOTE:

1. Outlet box ① and machine screw ③ are not included in this item.
2. Fixture may not look exactly as shown in diagram.

Trouble Shooting

1. Missing/Broken Parts

- Make a list of the missing/broken parts according to the packing list, take photos for broken parts, then email us for free replacements.

2. Bulbs Do Not Light Up

- Check your power and switch to make sure it's power on.
- Check the bulb to make sure it's installed correctly.
- Change a new bulb.
- Check the wires to make sure they are connected correctly.

3. Bulbs Flicker/Noisy Operation

- Check the bulb to make sure it's installed correctly.
- Change a new bulb.
- Make sure your bulb is dimmable if you use a dimmer switch.

4. Could Not Assemble/Install

- Take photos of the lamp/wall, contact seller for technical support.

Clean and Care

To clean, wipe fixture with soft cloth. Spray from chemical cleaners can discolor the finish of fixture. Do not use scouring pads, powders, steel wool or abrasive paper to clean this fixture.

Ordering Parts

Keep this manual for future reference, and in case replacement parts are needed. Available parts can be ordered from place of purchase. Use exact wording from diagrams when ordering parts.

ANTOINE

✉ Email: topchandelier@gmail.com