

Inverter Air Conditioner Indoor/Outdoor Units Disassembly Manual

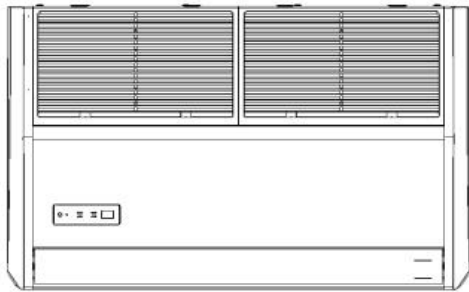
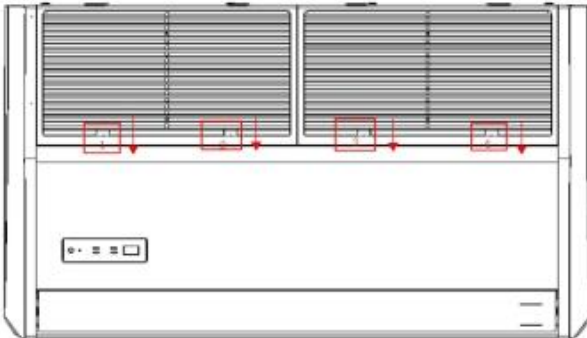
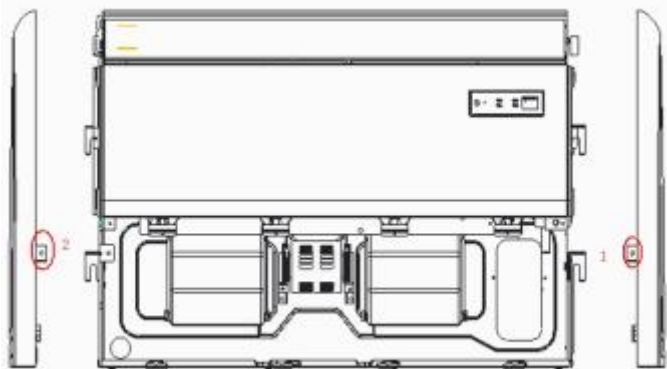
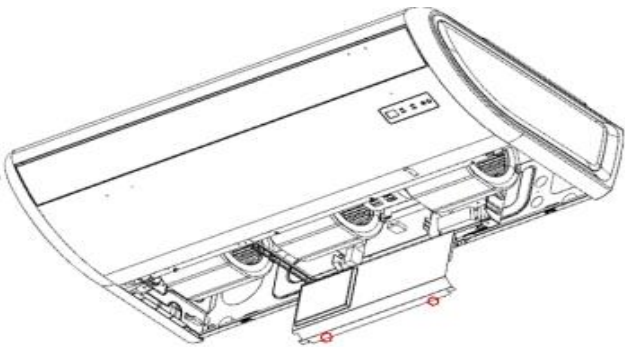
Models:

UYT018GLSI24RL

UYT024GLSI24RL

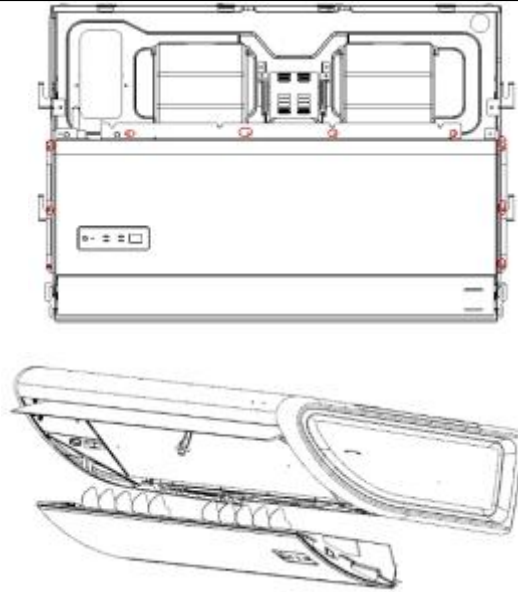
Floor-Ceiling (IDU) Disassembly

Indoor Unit Model Numbers: UT018GLSILCFHG | UT024GLSILSFHG

Steps	Reference Photo
<p>Before disassembly</p>	
<p>1. Remove the front grille</p> <p>A. Remove the screws by pushing the buckles in the direction as shown in the photo.</p> <p>B. Open the grille. Then remove the grille from the back snap hook.</p>	
<p>2. Dismantle the left and right side plate</p> <p>Unfix the screws as shown in the photo. Remove the left and right side blocks from the snap hooks.</p>	
<p>3. Remove the electronic control box assembly</p> <p>Unfix the screws as shown in the photo. Then, remove the electronic control cover plate.</p>	

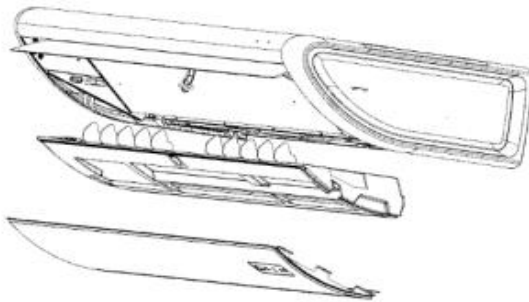
4. Remove the front panel assembly

Unfix the screws on the front panel as shown in the photo. Then, remove the panel assembly.



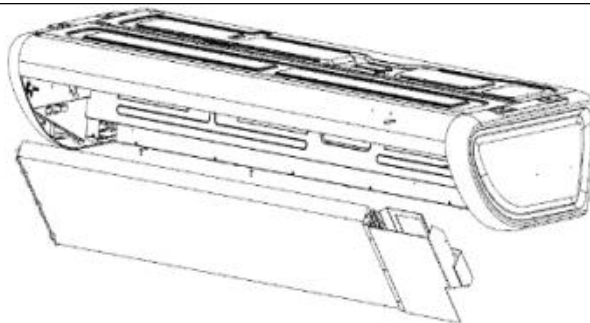
5. Remove the water tray

Take the water tray out as shown in the photo.



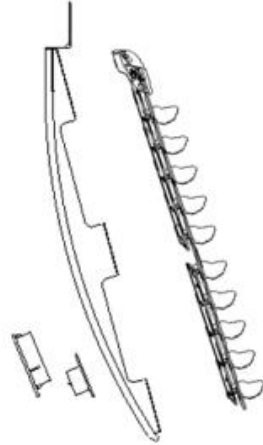
6. Remove the evaporator assembly

Take the evaporator out as shown in the photo.



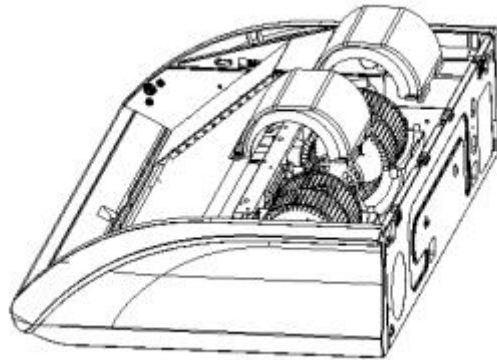
7. Remove the display panel and vane assembly

Take the display panel and vane assembly out as shown in the photo.



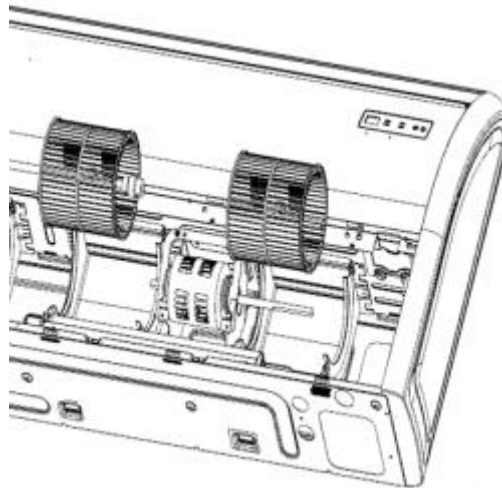
8. Remove the volute parts

Remove the volute parts as shown in the photo.



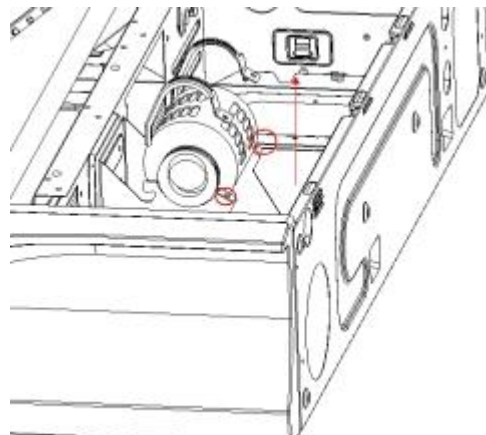
9. Disassemble the centrifugal fan

Take the centrifugal fans out as shown in the photo.



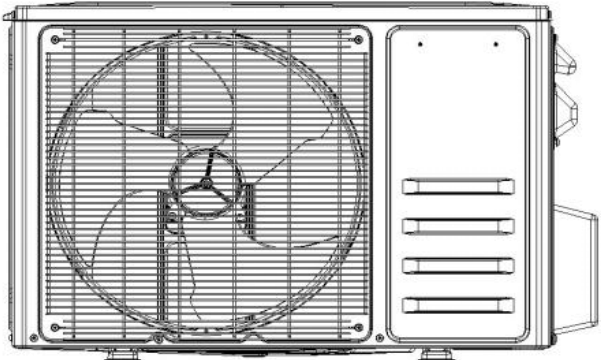
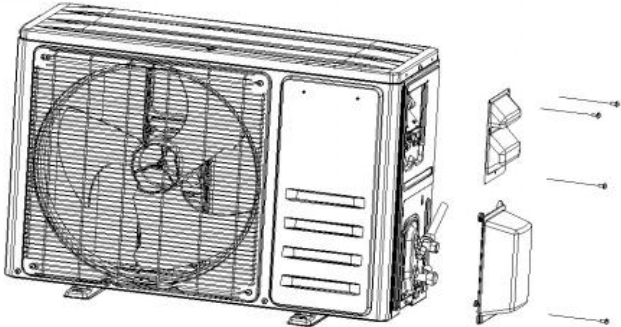
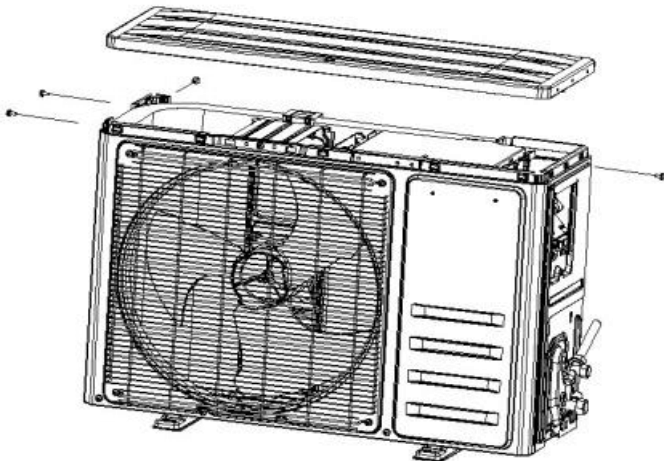
10. Disassemble the fan motor

Remove the fan motor as shown in the photo.



ODU Disassembly

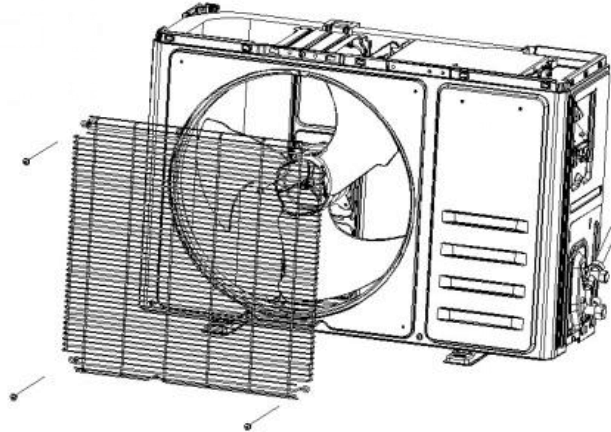
Outdoor Unit Model Numbers: YN018GLSI24RPG | YN024GLSI24RPG

Steps	Reference Photo
<p>Before disassembly</p>	
<p>1: Remove the PCB cover, valve cover, and top cover</p>	
<p>A</p> <p>1). Unfix 1 screw on the PCB cover, then you can remove the cover from the unit.</p> <p>2). Unfix 1 screw on the valve cover, and then you can take it out.</p>	
<p>B</p> <p>Unfix the screws on the top/left/right plates, and then you can take the top cover off.</p>	

8" 8 jgUggYa V'Y'h Y'Zub' [i UfX'UbX'ZcbhidUbY

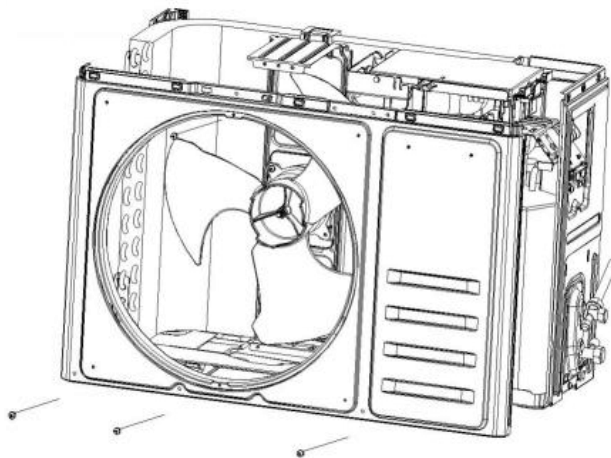
5

Remove the grille screws from the front panel, then take out the grille.



B

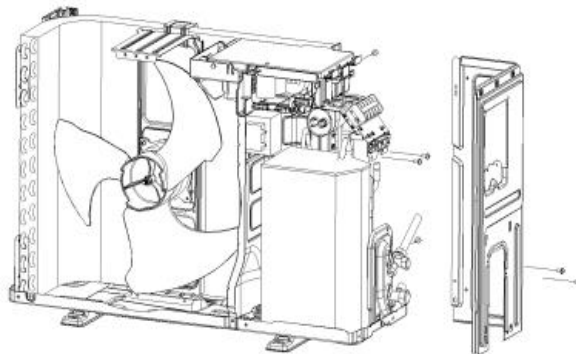
9%" Unfix the screws on the front panel of the fan guard.
 8%" Separate the ODU middle plate and base plate. Lift the front panel so you can take it out from the unit.

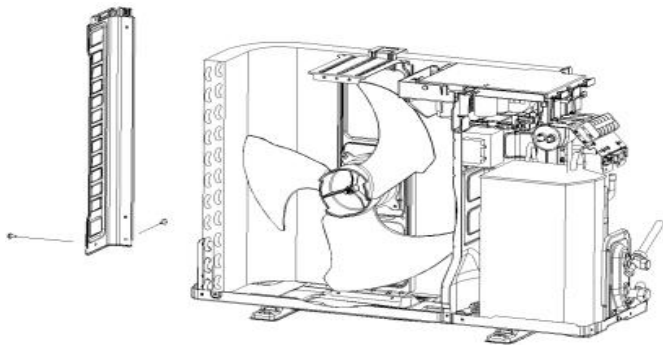
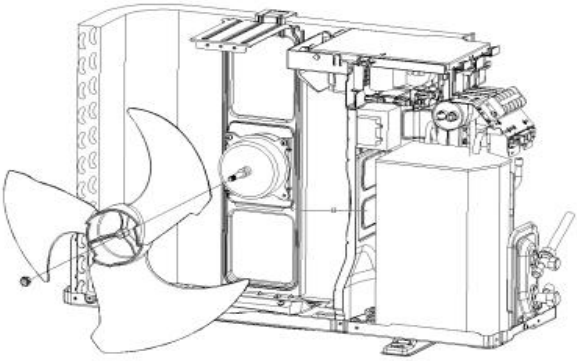
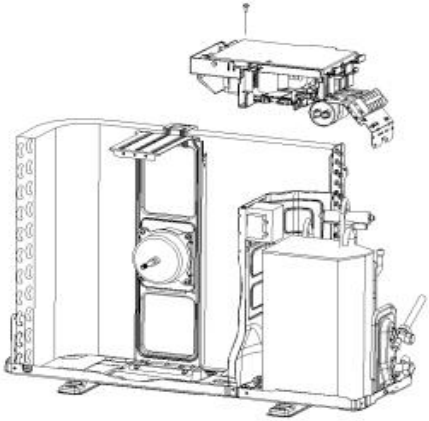


' " 8 jgUggYa V'Y'h Y'YziUbX'f][\ hid'UhY

5

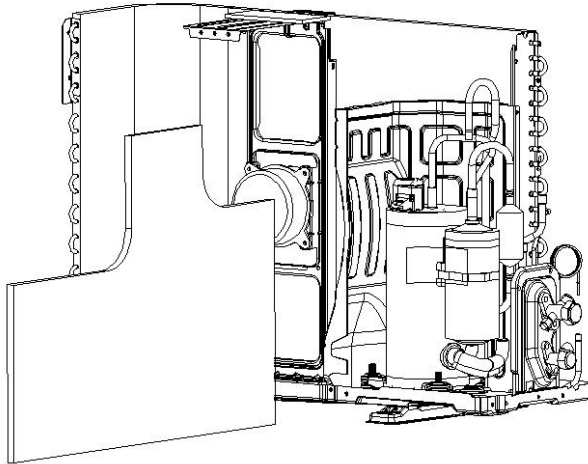
Unfix the screws on the right plate, electric box assembly, valve plate, and base plate. You can then remove the right plate.



<p>B</p>	<p>Unfix the screws on the left plate, base plate, and condenser plate. You can then take the left plate out.</p>	
<p>4. Disassemble the axis fan blade</p>		
<p>A</p>	<p>Unscrew the fan blade nut. Remove the blade.</p>	
<p>5. Disassemble the electric box</p>		
<p>A</p>	<p>Unfix the screws on the electric box and motor supporter. Loosen the wiring clamp, then you can take the control box out.</p>	

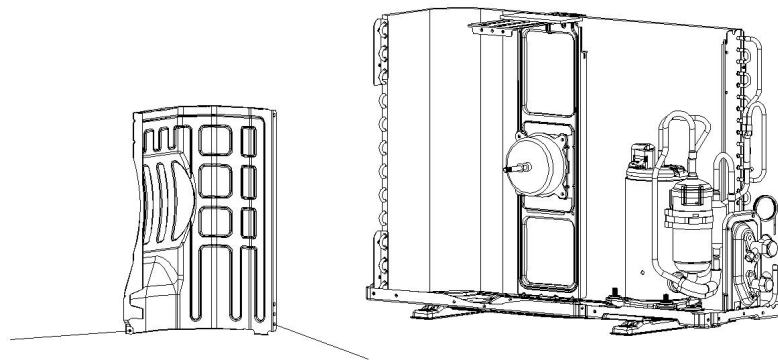
6. Remove the noise cotton

A Take the cotton out, as shown in the picture.



7. Disassemble the separate plate

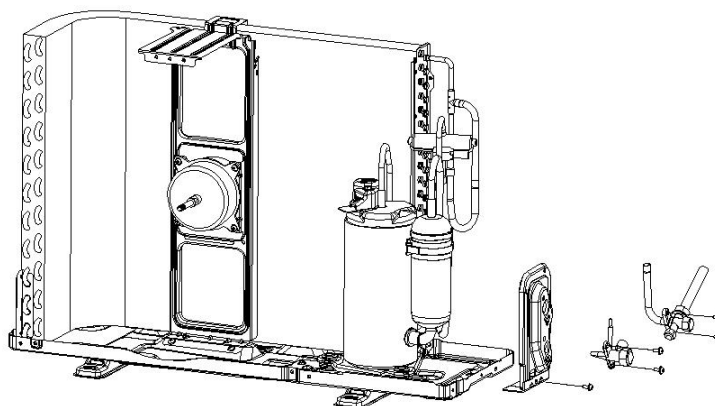
A Unfix the screw on the separate plate and unit, then take it out.



8. Disassemble the 2-way and 3-way valve

A Unfix the screws on the valve plate and base. You can take the 2-way and 3-way valve out by welding.

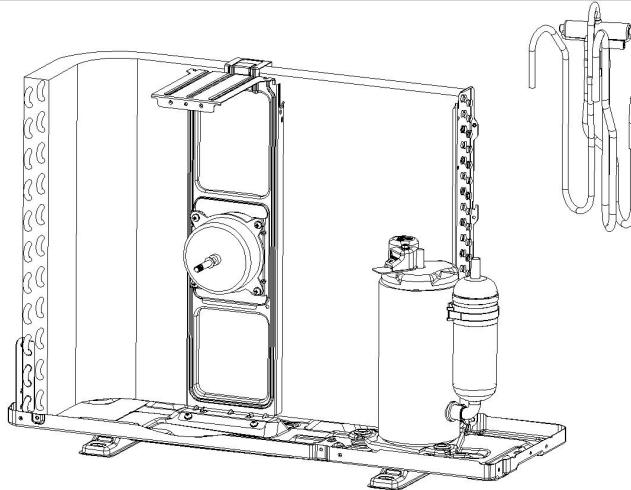
Note:
1). Welding can only occur while there is no gas in the unit.
2). Pay attention to the fire to prevent any injury.



9. Disassemble the 4-way valve assembly

A

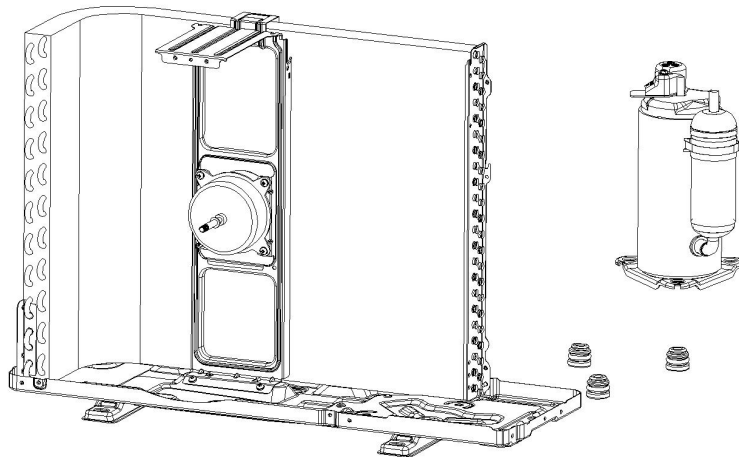
Remove the 4-way valve from the system by welding. Ensure there is no damage to the compressor, nameplate, etc.



10. Disassemble the compressor

A

Unscrew the nuts and remove the compressor.

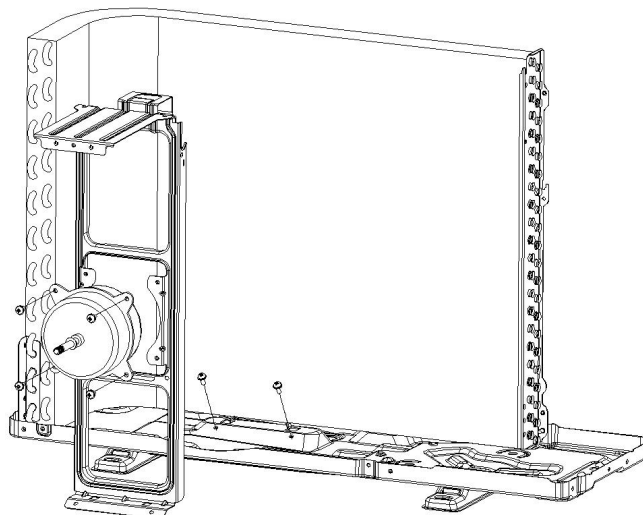


11. Remove the fan motor and fan supporter

A

Unfix the screws on the fan motor and supporter, then remove the supporter of the base plate.

Note:
Pay attention to the motor wiring. It can't be taken out by force.



The design and specifications of this product are subject to change without prior notice as development continues. Consult with the sales agency or manufacturer for details. Refer to the equipment nameplate for all other applicable specifications.



is a registered trademark of Parker Davis HVAC International, LLC.

Parker Davis HVAC International
7290 NW 77 Court, Miami, FL 33166 - USA
Tel : (305) 513-4488
Fax : (305) 513-4499
E-mail : info@pdhvac.com
Website: www.pdhvac.com

Pioneer product line, parts, and supplies are available online for convenient ordering at:
www.highseer.com
www.pioneerminisplit.com

Scan the below code to visit our support page where you can find more installation materials:



Copyright © Parker Davis HVAC International, LLC. All rights reserved.
