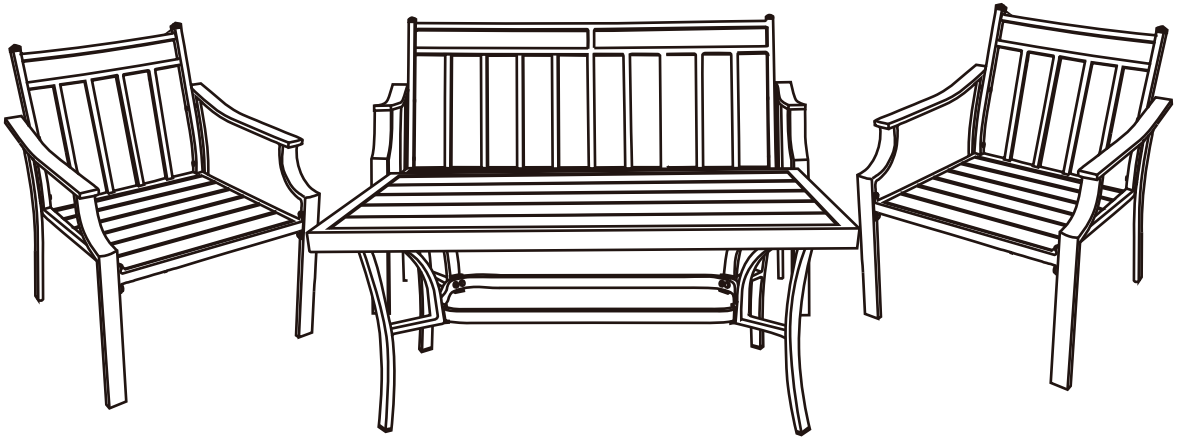


## ASHTON 4PC CONVERSATION SET

STYLE SELECTIONS and logo design are trademarks or registered trademarks of LF, LLC. All rights reserved.

ATTACH YOUR RECEIPT HERE



Serial Number \_\_\_\_\_

Purchase Date \_\_\_\_\_

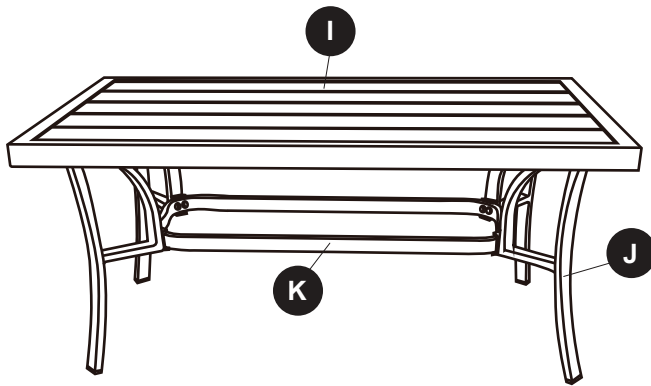
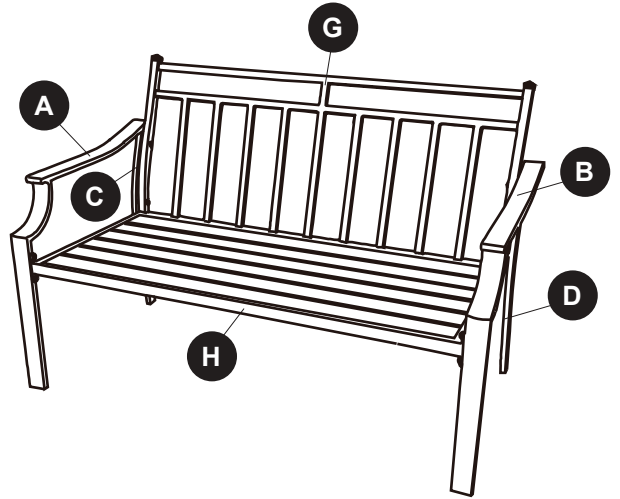
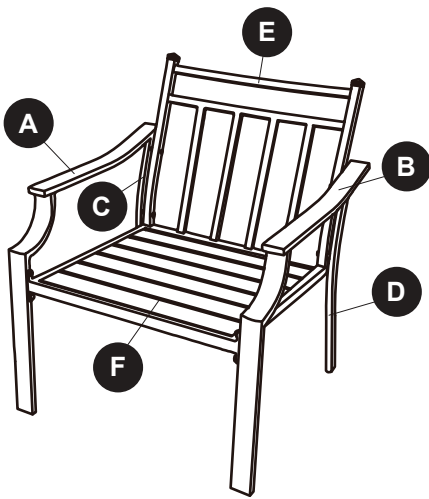
Questions, problems or missing parts?  
Before returning, contact us on:  
**877-888-8225**, 8 a.m. - 8 p.m., EST, Monday - Sunday or [ascs@lowes.com](mailto:ascs@lowes.com).

## TABLE OF CONTENTS

---

Package Contents.....	3
Hardware Contents.....	4
Safety Information. ....	5
Preparation .....	5
Assembly or Installation Instructions.....	6
Operating Instructions.....	10
Care and Maintenance.....	10
Warranty.....	11
Replacement Parts List .....	11

**PACKAGE CONTENTS**



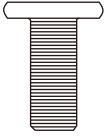
PART	DESCRIPTION	QUANTITY
A	RIGHT ARM	1
B	LEFT ARM	1
C	RIGHT LEG	1
D	LEFT LEG	1
E	BACK ASSEMBLY A	1
F	SEAT ASSEMBLY A	1

PART	DESCRIPTION	QUANTITY
G	BACK ASSEMBLY B	1
H	SEAT ASSEMBLY B	1
I	TABLE TOP	1
J	TABLE LEG	4
K	CENTER CONNECTOR	1

**HARDWARE CONTENTS** (shown actual size)

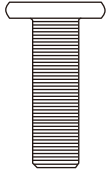
---

**AA**



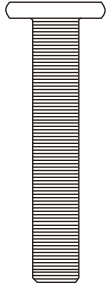
M6 x 15 mm  
Bolt  
Qty. 28+1

**BB**



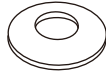
M6 x 20 mm  
Bolt  
Qty. 8+1

**CC**



M6 x 35 mm  
Bolt  
Qty. 19+1

**DD**



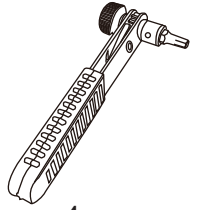
d6.5 x D13 x 1.0  
Washer  
Qty. 55+1

**EE**



4 mm  
Wrench  
Qty. 1

**FF**



4 mm  
Ratchet Wrench  
Qty. 1

## SAFETY INFORMATION

---

Please read and understand this entire manual before attempting to assemble, operate or install the product.

### WARNING

- Use the correct bolts as indicated. Do not tighten any of the bolts until the chair is completely assembled.
- Some parts may contain sharp edges. Wear protective gloves as necessary.
- Children under the age of 16 should not be engaged in the assembly, removal or disassembly of the product.
- Children under the age of 10 should be supervised by a competent adult while using this furniture.
- This set is heavy, and may require two adults for safe assembly.
- Never use this product as a support. Do not shake, lean, or climb on the product at any time.
- Do not discard any of the packaging until you have checked that you have all of the parts and fittings required.
- Keep children away during assembly. This item contains small parts that can be swallowed by children. Children should always be under direct adult supervision while using this product.

### CAUTION

- Do not overtighten any of the bolts as this may damage the threads.
- Repeated assembly can weaken the locking ability of the washers.
- Periodically check all bolted connections on the furniture to make sure they are tight and secure.
- Retain these instructions for future reference.
- Paint on this product might peel off if it is hit or used improperly.
- This outdoor furniture is designed and made for personal non-commercial use.
- This item should not be used as a toy or a tool.
- Do not locate the product near any heat source.
- Do not place heavy objects on the table top.

## PREPARATION

---

Before beginning assembly of product, make sure all parts are present. Compare parts with package contents list and hardware contents list. If any part is missing or damaged, do not attempt to assemble the product.

### Note:

The labels marked "L" and "R" on the arms and legs (#A, #B, #C, and #D) should coincide with Figure 1 and Figure 5 to ensure proper assembly.

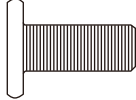
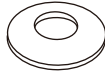
**Estimated Assembly Time: 90 minutes**

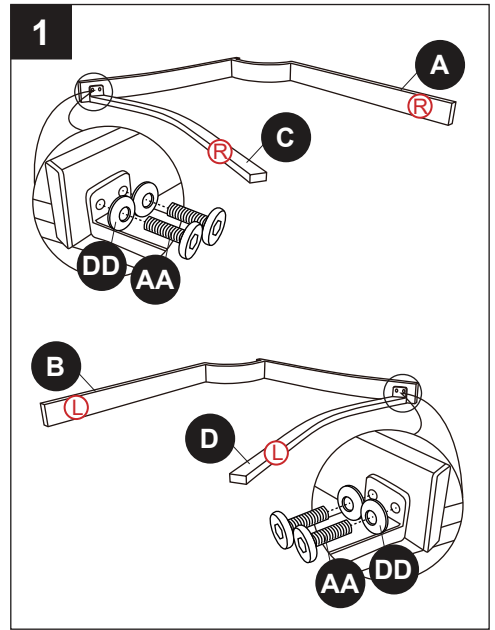
# ASSEMBLY INSTRUCTIONS

## 1. PARTS REQUIRED: AA, DD, A, B, C & D

Keep the bolts loose.

### Hardware Used

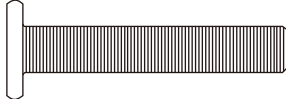

<b>AA</b>	M6 x 15 mm Bolt		x 4
<b>DD</b>	d6.5 x D13 x 1.0 Washer		x 4

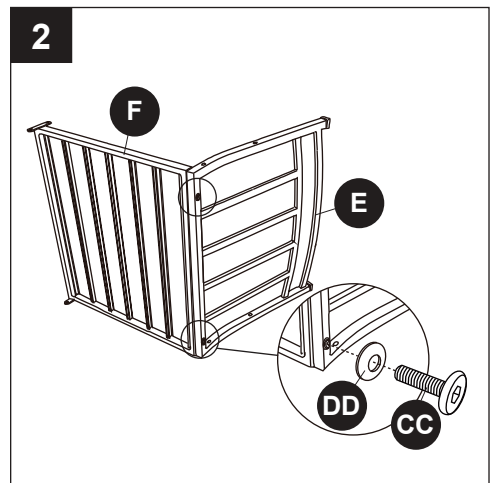


## 2. PARTS REQUIRED: CC, DD, E & F

Keep the bolts loose.

### Hardware Used

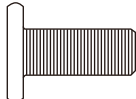

<b>CC</b>	M6 x 35 mm Bolt		x 2
<b>DD</b>	d6.5 x D13 x 1.0 Washer		x 2

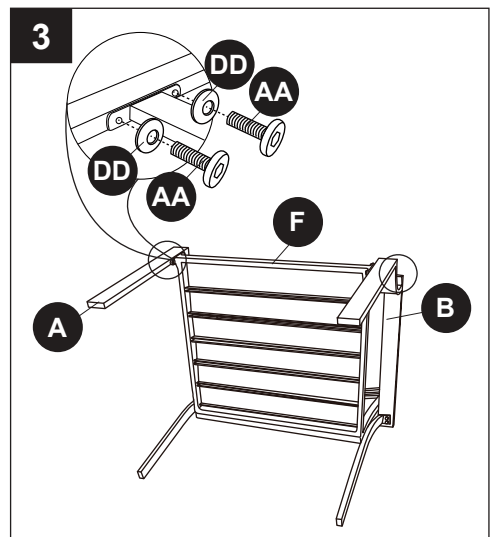


## 3. PARTS REQUIRED: AA, DD, A, B & F

Keep the bolts loose.

### Hardware Used

<b>AA</b>	M6 x 15 mm Bolt		x 4
<b>DD</b>	d6.5 x D13 x 1.0 Washer		x 4

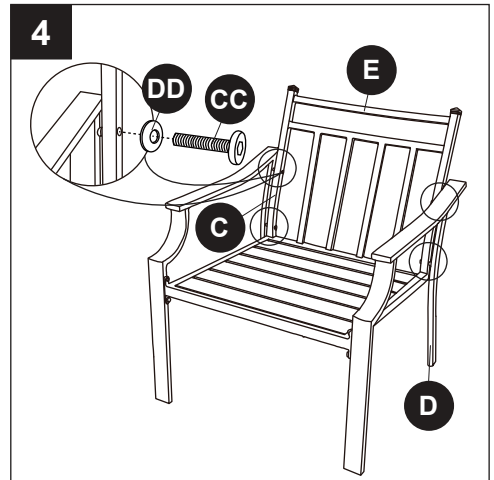
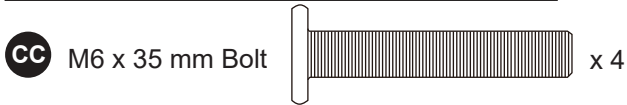


## ASSEMBLY INSTRUCTIONS

### 4. PARTS REQUIRED: CC, DD, C, D & E

Tighten all bolts by using the supplied Hex key.

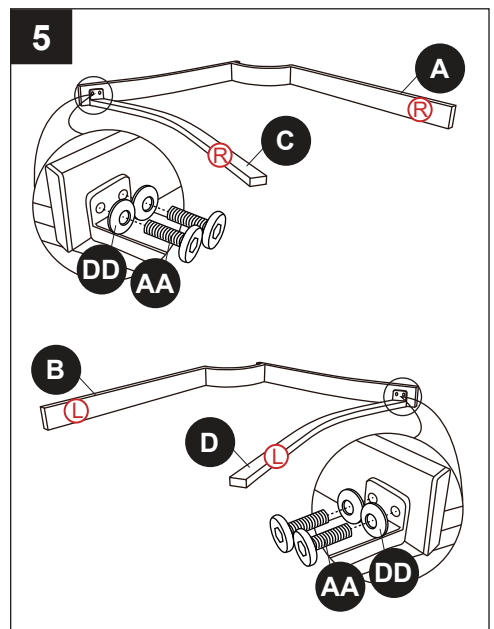
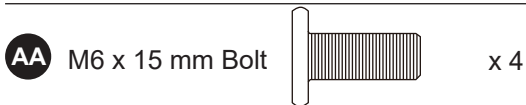
#### Hardware Used



### 5. PARTS REQUIRED: AA, DD, A, B, C & D

Keep the bolts loose.

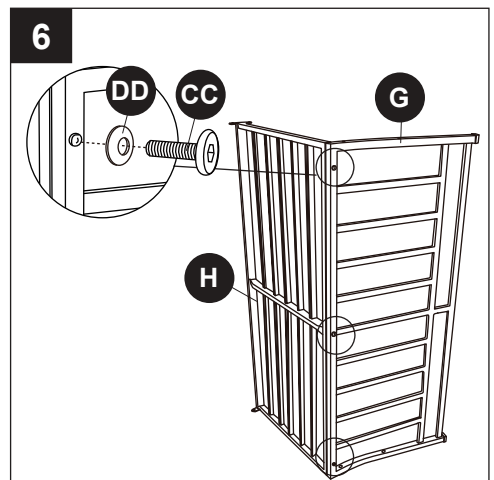
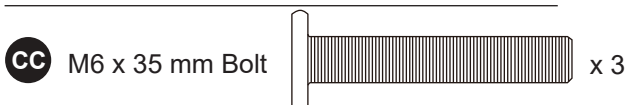
#### Hardware Used



### 6. PARTS REQUIRED: CC, DD, G & H

Keep the bolts loose.

#### Hardware Used

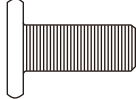
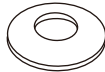


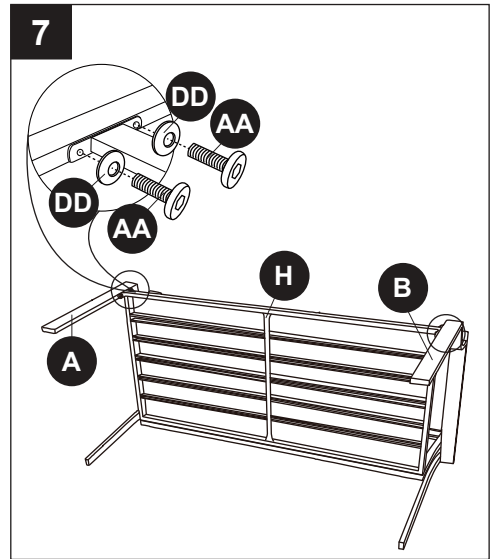
## ASSEMBLY INSTRUCTIONS

### 7. PARTS REQUIRED: AA, DD, A, B & H

Keep the bolts loose.

#### Hardware Used

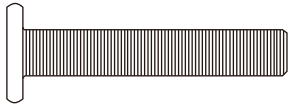

<b>AA</b>	M6 x 15 mm Bolt		x 4
<b>DD</b>	d6.5 x D13 x 1.0 Washer		x 4

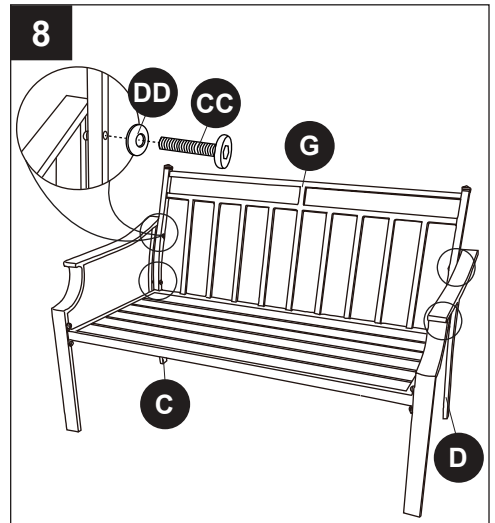


### 8. PARTS REQUIRED: CC, DD, C, D & G

Tighten all bolts by using the supplied Hex key.

#### Hardware Used

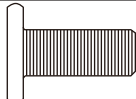

<b>CC</b>	M6 x 35 mm Bolt		x 4
<b>DD</b>	d6.5 x D13 x 1.0 Washer		x 4

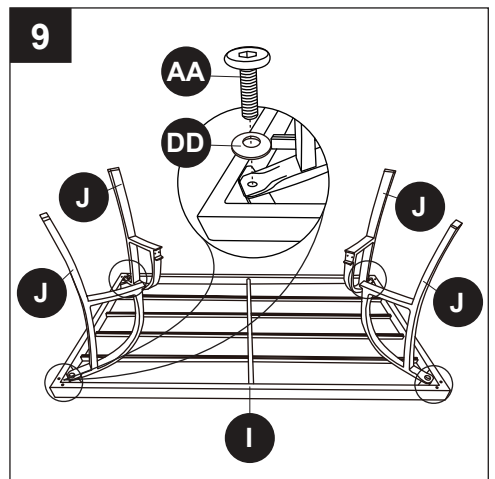


### 9. PARTS REQUIRED: AA, DD, I & J

Keep the bolts loose.

#### Hardware Used

<b>AA</b>	M6 x 15 mm Bolt		x 4
<b>DD</b>	d6.5 x D13 x 1.0 Washer		x 4

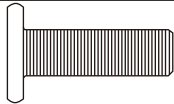
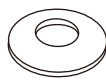


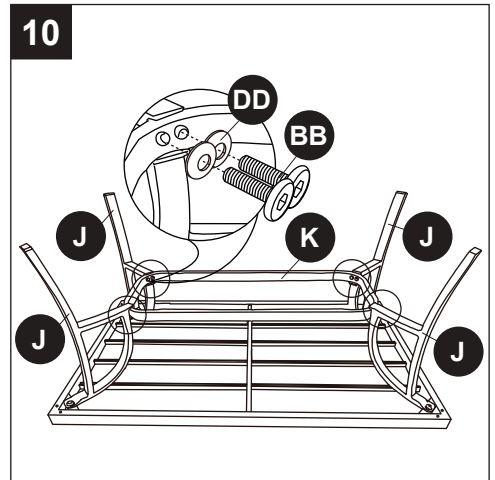
## ASSEMBLY INSTRUCTIONS

10. PARTS REQUIRED: BB, DD, J & K

Tighten all bolts by using the supplied Hex key.

### Hardware Used

<b>BB</b>	M6 x 20 mm Bolt		x 8
<b>DD</b>	d6.5 x D13 x 1.0 Washer		x 8



## **OPERATING INSTRUCTIONS**

---

Assemble on a soft surface, such as a carpet to avoid scratching the product.

Ensamble sobre una superficie suave, como una alfombra, para evitar rayar el producto.

## **CARE AND MAINTENANCE**

---

- Wash frame parts with mild soap and water, rinse thoroughly, and dry completely. Do not use bleach, acid, or other solvents on the frame parts.
- We recommend the use of furniture covers when not in use.
- Inspect and tighten all of the bolts and fasteners on a regular basis to ensure the proper performance and safety of your chair.
- In order to prolong the life and beauty of your chair, we recommend that it be stored in a dry and protected area during off-season periods.

## WARRANTY

---

- Three-year limited warranty.
- Proof of purchase (dated register receipt) is required for warranty claims.
- It remains the customer's responsibility for freight and packing charges to and from the service center.
- This limited warranty is extended to the original purchaser and applies to defects in materials and workmanship of your patio furniture, provided your furniture is maintained with care and used only for personal, residential purposes.
- Exclusions: Items used for commercial, contract or other non-residential purposes; display models; items purchased "as is;" or items damaged due to acts of nature, vandalism, misuse or improper assembly are not covered. Discoloration or fading of the finish or fabrics as a result of exposure to the elements, chemicals or spills; tabletop breakage; corrosion or rusting of hardware; and damages to frames or welds caused by improper assembly, misuse or natural causes are not covered.
- If within the stated warranty period a product is found to be defective in material or workmanship, the purchaser must contact the manufacturer's customer service department at **877-888-8225**. The manufacturer, at its option, will repair or replace the defective parts.
- The warranty is to the original purchaser and is non-transferable. Any replacement of warranted items will be in the original style and color, or a similar style and color if the original is unavailable or has been discontinued. As some states do not allow exclusions or limitations on an implied warranty, the above exclusions and limitations may not apply. This warranty gives you specific rights and you may also have other rights which vary from state to state.

## REPLACEMENT PARTS LIST

---

For replacement parts, call our customer service department at **877-888-8225**, 8 a.m. - 8 p.m., EST, Monday - Sunday. You could also contact us at [ascs@lowes.com](mailto:ascs@lowes.com).

PART	DESCRIPTION	PART #	COVERED UNDER WARRANTY
A	RIGHT ARM	HKMS630E-YSB	YES
B	LEFT ARM	HKMS630E-ZSB	YES
C	RIGHT LEG	HKMS630E-YJG	YES
D	LEFT LEG	HKMS630E-ZJG	YES
E	BACK ASSEMBLY A	HKMS630E-BBA	YES
F	SEAT ASSEMBLY A	HKMS630E-ZBA	YES
G	BACK ASSEMBLY B	HKMS630F-BBB	YES
H	SEAT ASSEMBLY B	HKMS630F-ZBB	YES
I	TABLE TOP	HTMS42PE-ZM	YES
J	TABLE LEG	HTMS42PE-JG	YES
K	CENTER CONNECTOR	HTMS42PE-ZJ	YES