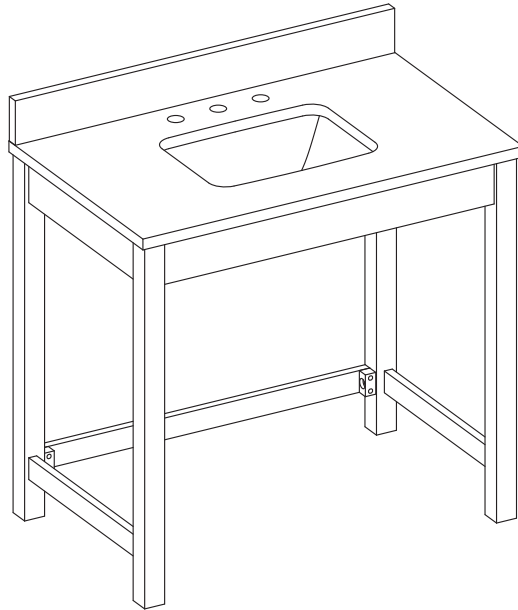


welcoming • sophisticated • inspiring



MODEL NUMBER	DESCRIPTION
1808VADA-36-201-901	AR 36-In White ADA Vanity with Eng White Top
1808VADA-36-201-925	AR 36-In White ADA Vanity with Eng Carrara Top
1808VADA-36-201-926	AR 36-In White ADA Vanity with Eng Calacatta Top

---

## 36-IN VANITY WITH TOP

ITEM #5071987; 5071988; 5071989

MODEL #1808VADA-36-201-901; 1808VADA-36-201-925; 1808VADA-36-201-926

**ATTACH YOUR RECEIPT HERE**

Serial Number \_\_\_\_\_ Purchase Date \_\_\_\_\_

---

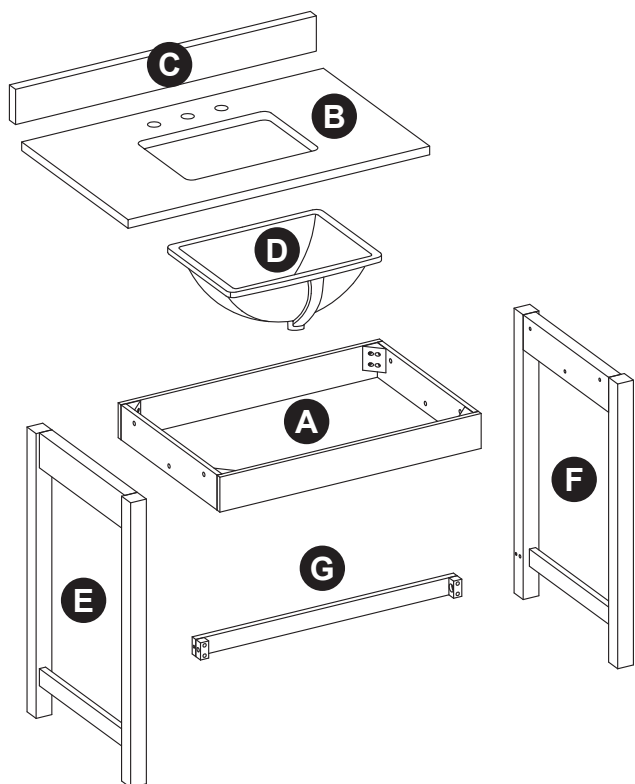
**Questions, problems, missing parts?** Before returning to your retailer, call our customer service department at 866-439-9800, 8 a.m. - 8 p.m., EST, Monday - Sunday.

## TABLE OF CONTENTS

---

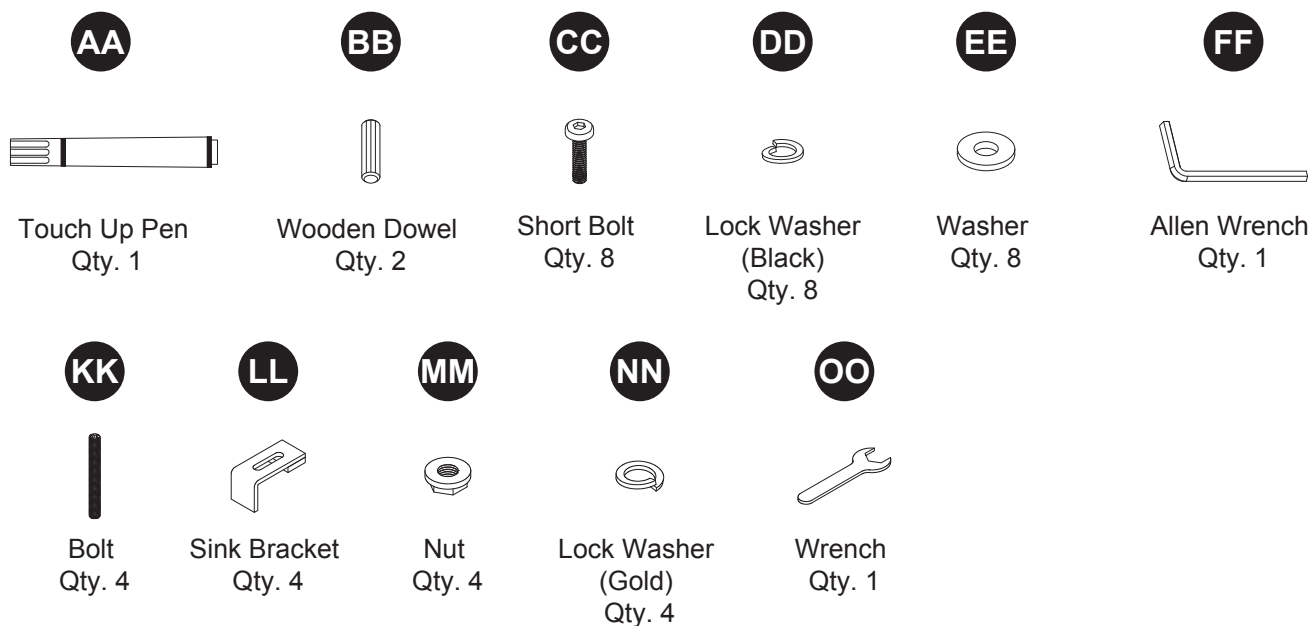
Package Contents.....	3
Hardware Contents.....	3
Safety Instructions.....	3
Preparation.....	4
Assembly or Installation Instructions.....	4
Care and Maintenance.....	9
Warranty.....	9
Replacement Parts List.....	10

## PACKAGE CONTENTS (Undermount Sink)



PART	DESCRIPTION	QUANTITY	CARTON
A	Center Frame	1	Box 2 of 3
B	Top	1	Box 1 of 3
C	Backsplash	1	
D	Sink	1	Box 3 of 3
E	Left Panel	1	Box 2 of 3
F	Right Panel	1	
G	Back Stretcher Bar	1	

## HARDWARE CONTENTS (NOT SHOWN ACTUAL SIZE)



## SAFETY INSTRUCTIONS

Please read and understand this entire manual before attempting to assemble, operate or install the product.

### WARNING

- There are several assembly steps, including unpacking, that require two adults.

### CAUTION

- Follow these instructions closely, take your time, and use care while assembling this vanity.

**KEEP THESE INSTRUCTIONS FOR FUTURE REFERENCE.**

## PREPARATION

Before beginning assembly of product, make sure all parts are present. Compare parts with package contents list and hardware contents list. If any part is missing or damaged, do not attempt to assemble the product.






**Estimated Installation Time:** 35 minutes (24 hours for silicone caulk to dry).

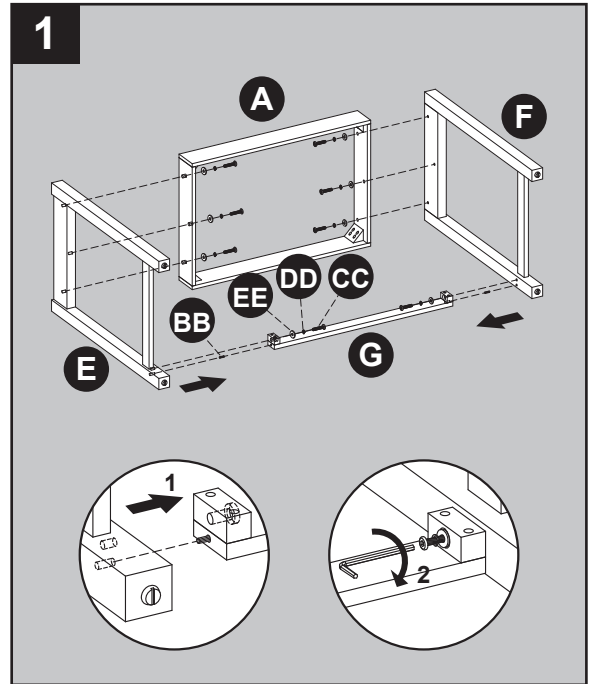
Tools Required for Installation (not included): Phillips screwdriver, utility knife or scissors, silicone caulk, power drill with drill bit, measuring tape, level

## INSTALLATION INSTRUCTIONS

1. Please connect the center frame (A) to the left panel (E) with short bolts (CC), lock washer (DD) and washer (EE), tighten with the allen wrench (FF). Please insert the wooden dowel (BB) to the end of back stretcher bar (G), screw and connect the back stretcher bar (G) to the left panel (E) with short bolts (CC), lock washer (DD) and washer (EE), tighten with the allen wrench (FF). Please repeat and connect the right panel (F) to the center frame (A) and back stretcher bar (G).

### Hardware Used

<b>BB</b>	Wooden Dowel		x 2
<b>CC</b>	Short Bolt		x 8
<b>DD</b>	Lock Washer		x 8
<b>EE</b>	Washer		x 8
<b>FF</b>	Allen Wrench		x 1



## INSTALLATION INSTRUCTIONS

**Note:** Clean area where the vanity will be permanently located prior to beginning installation, ensuring the vanity will not interfere with any water supply and drain lines once mounted.

2. With two people, carefully place vanity against the wall in its final location. While holding the vanity base firmly against the wall, use the pre-assembled levelers on the bottom of each leg of the vanity to level the item. Twisting the levelers counterclockwise will raise the height of the vanity, and twisting them clockwise will lower the vanity.

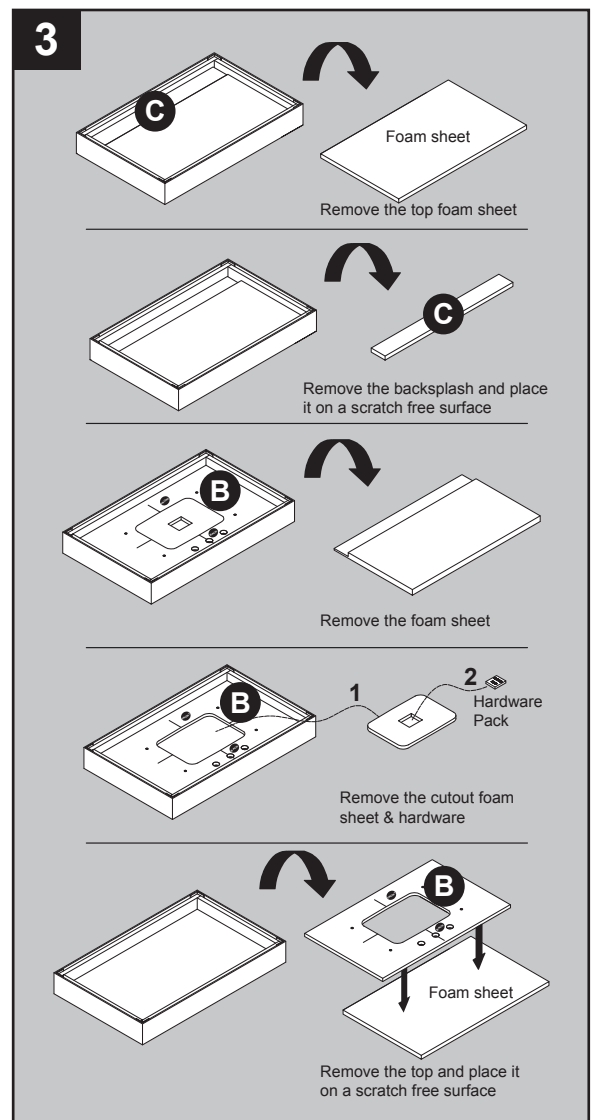
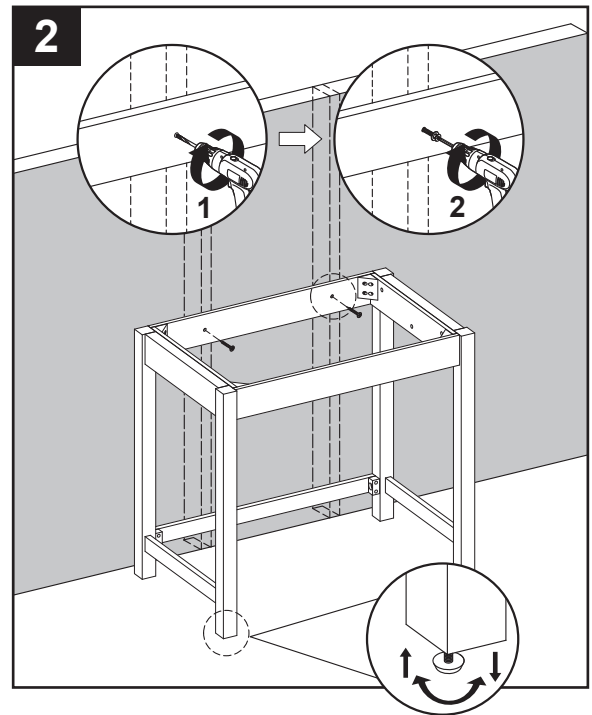
Once the vanity is in place, against the wall, and level from front to back and side to side, drill a hole through the vanity mounting area and into the wall studs (as illustrated in diagram 2). Using appropriate mounting hardware (not included), secure the vanity to a wall stud. If possible, secure the vanity to two wall studs for increased stability.



### WARNING

Vanity **MUST** be secured to wall.

3. Take out the top (B) and backsplash (C) according to the steps indicated by the drawings on the right, and place them face down onto a scratch free surface such as a foam sheet that came in the packaging.



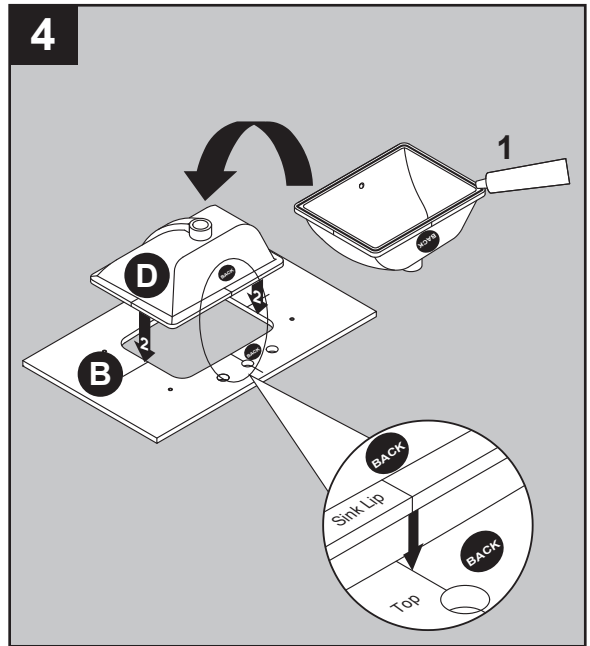
## INSTALLATION INSTRUCTIONS

4. Apply silicone caulk (not included) to the top edge of sink (D). With the help of another adult, lower the sink onto the back side of the stone top.

**Make sure the sink over-flow hole is facing the front of stone top.**

Be sure to align the sink well with the stone top cut out allowing for equal stone overhang on the front, back and sides of the ceramic sink (D).

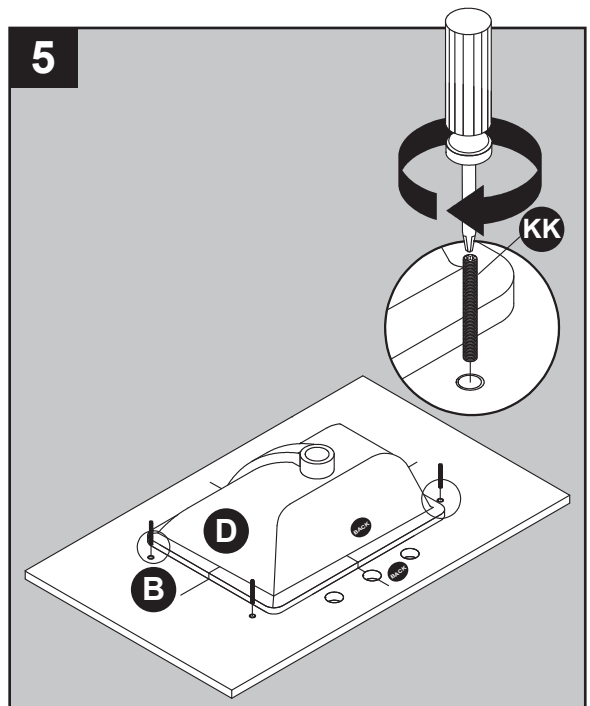
**Note:** To install the sink onto the top correctly, ensure that the two "BACK" stamps on the sink and the top are aligned on the same sides. Use the guide lines marked on the sink and bottom side of stone top to assist with sink location.



5. Screw bolts (KK) into the threaded holes of stone top (B).

### Hardware Used

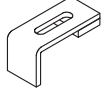



**KK** Bolt  x 4



## INSTALLATION INSTRUCTIONS

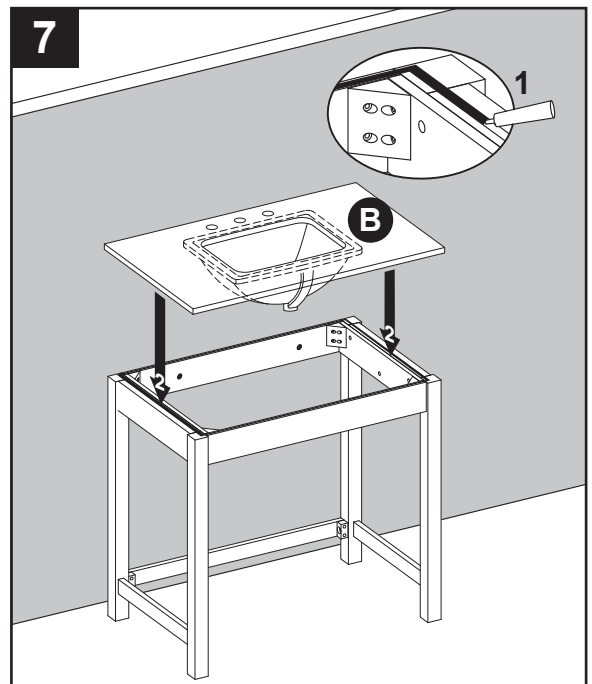
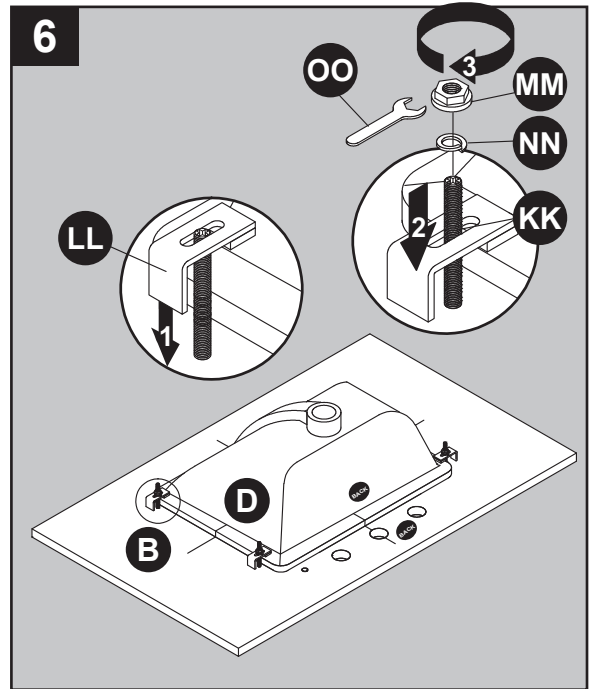
6. Lower the sink brackets (LL) over the bolts (KK) and allow to rest on the sink lip. Adjust location of bracket to firmly grasp sink lip. Lower lock washers (NN) over bolts (KK) and secure with nuts (MM). Hand tighten nuts (MM) with included wrench (OO). **DO NOT OVER TIGHTEN!**  
 Tip: Check that the sink placement is well centered front to back and side to side of the stone top cut out before allowing the silicone caulk to dry. If the sink is not centered well unscrew sink clamps, re-adjust the sink position and re-tighten the sink brackets.

### Hardware Used

<b>LL</b>	Sink bracket		x 4
<b>MM</b>	Nut		x 4
<b>NN</b>	Lock Washer		x 4
<b>OO</b>	Wrench		x 1

**Note:** At this stage it may be easier to install the faucet and drain kit (not included) to top (B) per the manufacturer's instructions, before moving on to Step 7.

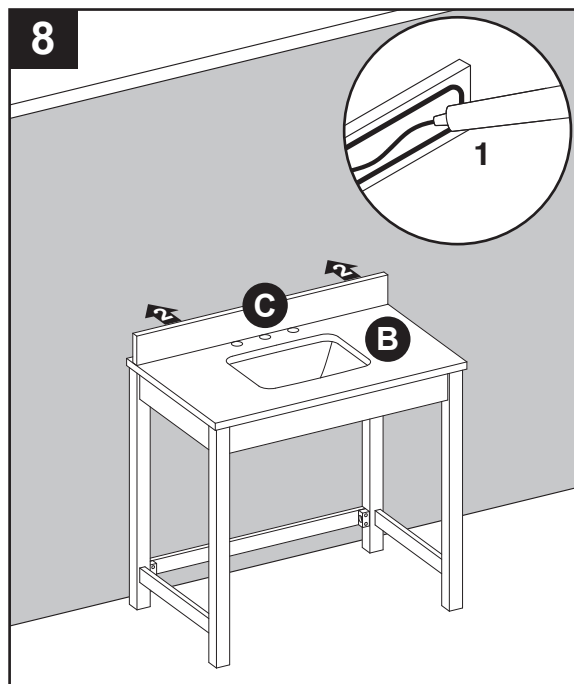
7. Apply stain free silicone caulk (not included) to the top edge of vanity. With the help of another adult, gently lower top (B) onto the vanity. Wipe away any excess caulk with a soft cloth, and wait approximately 24 hours for it to dry.



## INSTALLATION INSTRUCTIONS

8. Apply silicone caulk (not included) to unpolished side and bottom of backsplash (C). Position backsplash (C) on top (B) and against wall. Clean any excess caulk before allowing to dry.

Assembly is now complete. Install desired faucet and drain assemblies (neither included) per the manufacturers' instructions to complete the installation.



## CARE AND MAINTENANCE

---

- Dust the vanity regularly with a soft, non-lint producing cloth or household dusting product.
- You can clean the vanity with a gentle, non-abrasive household cleaner.
- Make sure to dry the wood immediately with a soft cloth or towel.
- The stone top can be cleaned using standard marble cleaning agents available at your local supplier.
- Tips for using touch-up pen (AA): For scratches, stroke in direction of scratch; for worn areas, stroke in direction of wood grain. Rub off excess colorant promptly with a soft cloth.

### IMPORTANT

- Shade variations and patterns are an inherent characteristic of stone (e.g. granite, marble, engineered stone). Stone tops will vary from product to product. Use caution placing items such as soap or any fragranced material on the stone surface. Use a soap dish, coaster or similar item to protect the surface if placing any soap or fragranced products on the stone.
- If soap or fragranced products come in contact with the stone top, rinse the surface with water and dry using a soft non-abrasive cloth.
- **WARNING:** Must use cleaning agents safe for stone. Check your cleaning agents use restrictions before using on any stone. Damage to the stone may result. Vanity Manufacturer not responsible for damage caused by improper cleaning agents or soaps used. Warranty will not cover damage caused by the use of improper soaps or cleaning agents.
- **DO NOT** use products to clean the stone top that contain acetone, lemon, vinegar or other acids as these may cause damage to the stone surface.
- Periodically reseal the stone top using an appropriate stone sealer available from your local home store. Follow the manufacturer's directions on how to apply.

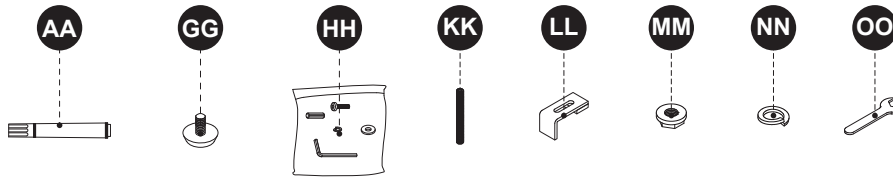
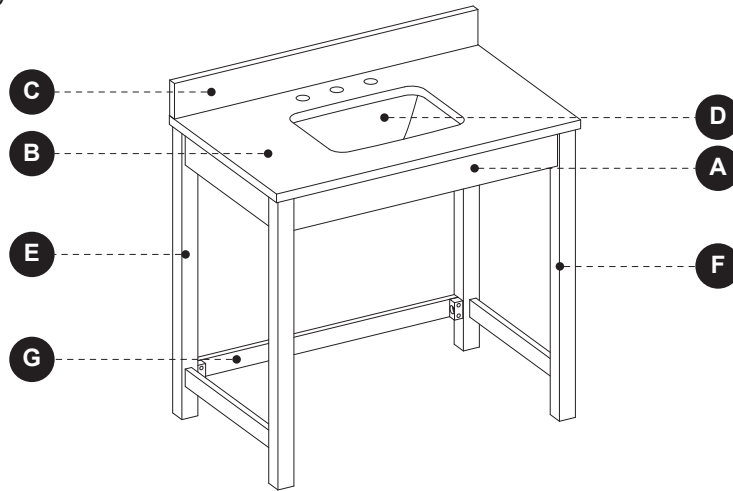
### WARRANTY

---

The manufacturer warrants this item against defects in materials and workmanship for a period of one (1) year from the date of original retail purchase. This warranty applies only to the original purchaser. This warranty does not apply to any damage on the product by accident, misuse, or modified, improper installation or by affixing accessories not produced by the manufacturer. The manufacturer will not be held liable for damages caused from cleaners or soaps that etch or stain the stone top. The manufacturer is not accountable whatsoever for product installation during the warranty period. There is no further expressed warranty. The manufacturer shall not be legally responsible for incidental, consequential or special damages arising at or in connection with product use or performance except as may otherwise be accorded by law. The manufacturer disclaims any and all implied warranties.

# REPLACEMENT PARTS LIST

For replacement parts, call our customer service department at 866-439-9800, 8 a.m. - 8 p.m., EST, Monday - Sunday.



PART	DESCRIPTION	PART#
A	Center Frame	1808VADA-36-201-CENTER FRAME
B	Complete Set 36" Engineered White Top	2550VT-36-901
	Complete Set 36" Engineered Carrara Top	2550VT-36-925
	Complete Set 36" Engineered Calacatta Top	2550VT-36-926
C	36" Engineered White Backsplash	PUBS-25-901-36
	36" Engineered Carrara Backsplash	PUBS-25-925-36
	36" Engineered Calacatta Backsplash	PUBS-25-926-36
D	Sink	PU17-18X14-SQUARE
E	Left Panel	1808VADA-36-201-LEFT PANEL
F	Right Panel	1808VADA-36-201-RIGHT PANEL
G	Back Stretcher Bar	1808VADA-36-201-BS BAR
AA	Touch-up pen	OF-0010
GG	Leveler	T-1007
HH	KD Hardware Pack	1808VADA-36-HARDWARE PACK
KK	Bolt	GTC-SINK CLIPS
LL	Sink Bracket	
MM	Nut	
NN	Lock Washer	
OO	Wrench	