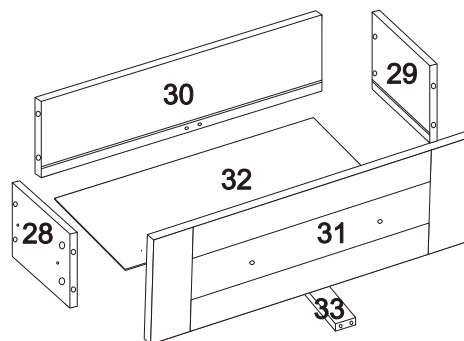
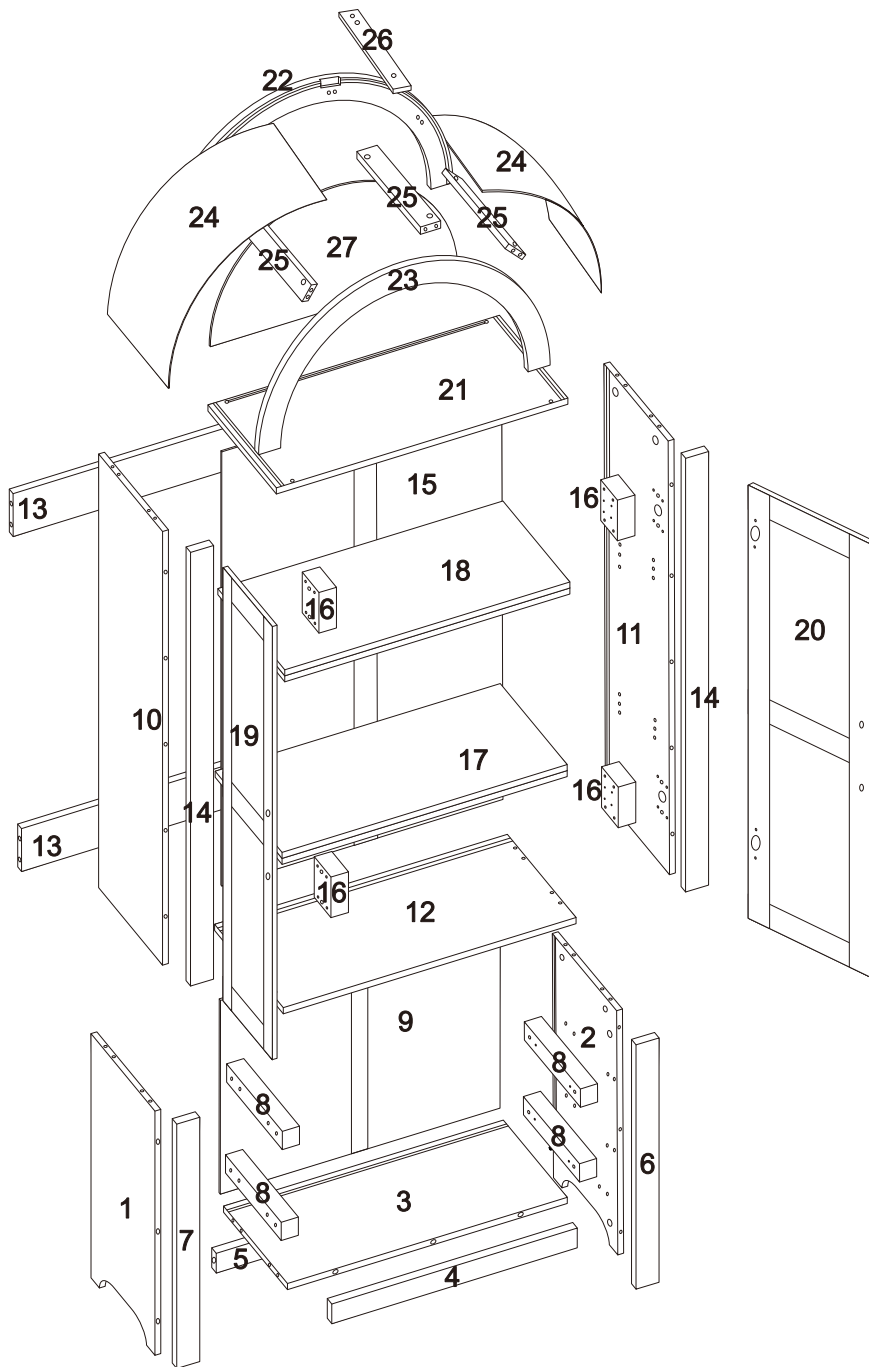


# Assembly Instruction

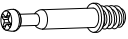




**x2**



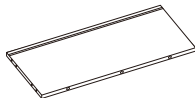
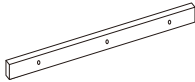



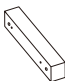
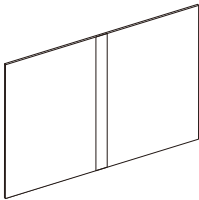


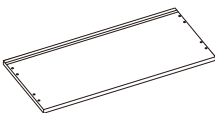
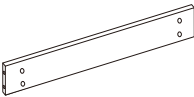

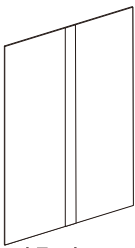

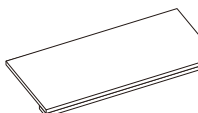
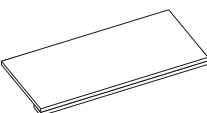

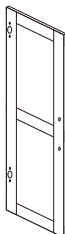

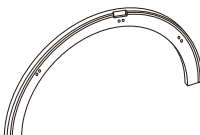
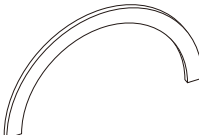


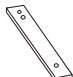
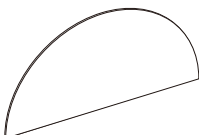
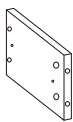
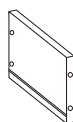
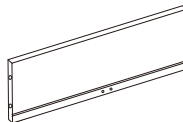
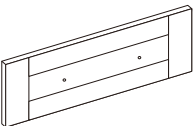
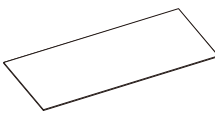

# Components - Fittings

Please check you have all the panels listed below

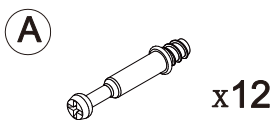
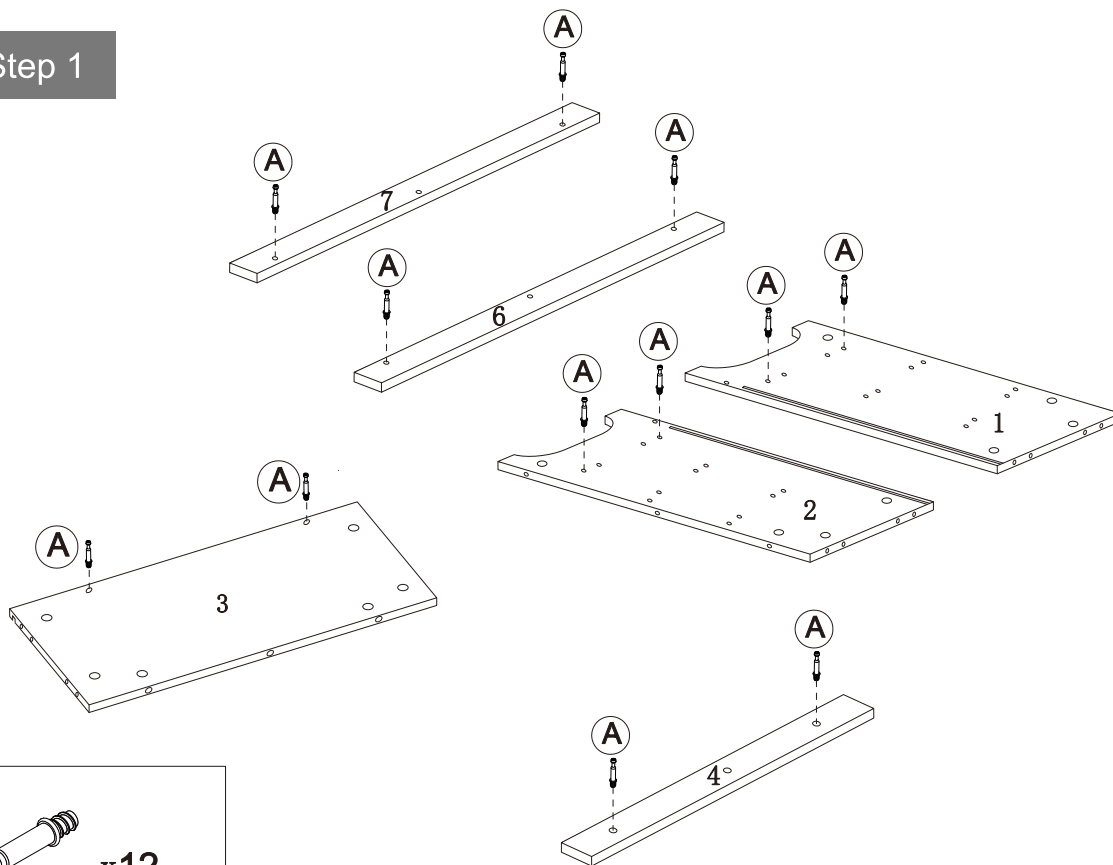
Note: The quantities below are the correct amount to complete the assembly. In some cases, more fittings may be supplied than required.

 <p><b>A: 50pcs</b></p>	 <p><b>B: 50pcs</b></p>	 <p><b>C: 32pcs</b> Ø5x40mm</p>	 <p><b>D: 16pcs</b> Ø3x12mm</p>	 <p><b>E: 4pcs</b></p>	 <p><b>F: 4pcs</b> Ø4x10mm</p>
 <p><b>G: 2pcs</b></p>	 <p><b>H: 4pcs</b> Ø4x25mm</p>	 <p><b>I: 8pcs</b></p>	 <p><b>J: 8pcs</b> Ø3x16mm</p>	 <p><b>K: 49pcs</b> Ø6x30mm</p>	 <p><b>L: 12pcs</b> Ø4x30mm</p>
 <p><b>M: 4pcs</b></p>	 <p><b>N: 24pcs</b> Ø4x15mm</p>	 <p><b>O: 8pcs</b></p>	 <p><b>P: 4pcs</b></p>	 <p><b>Q: 1pc</b></p>	 <p><b>R: 2pcs</b> Ø4x25mm</p>

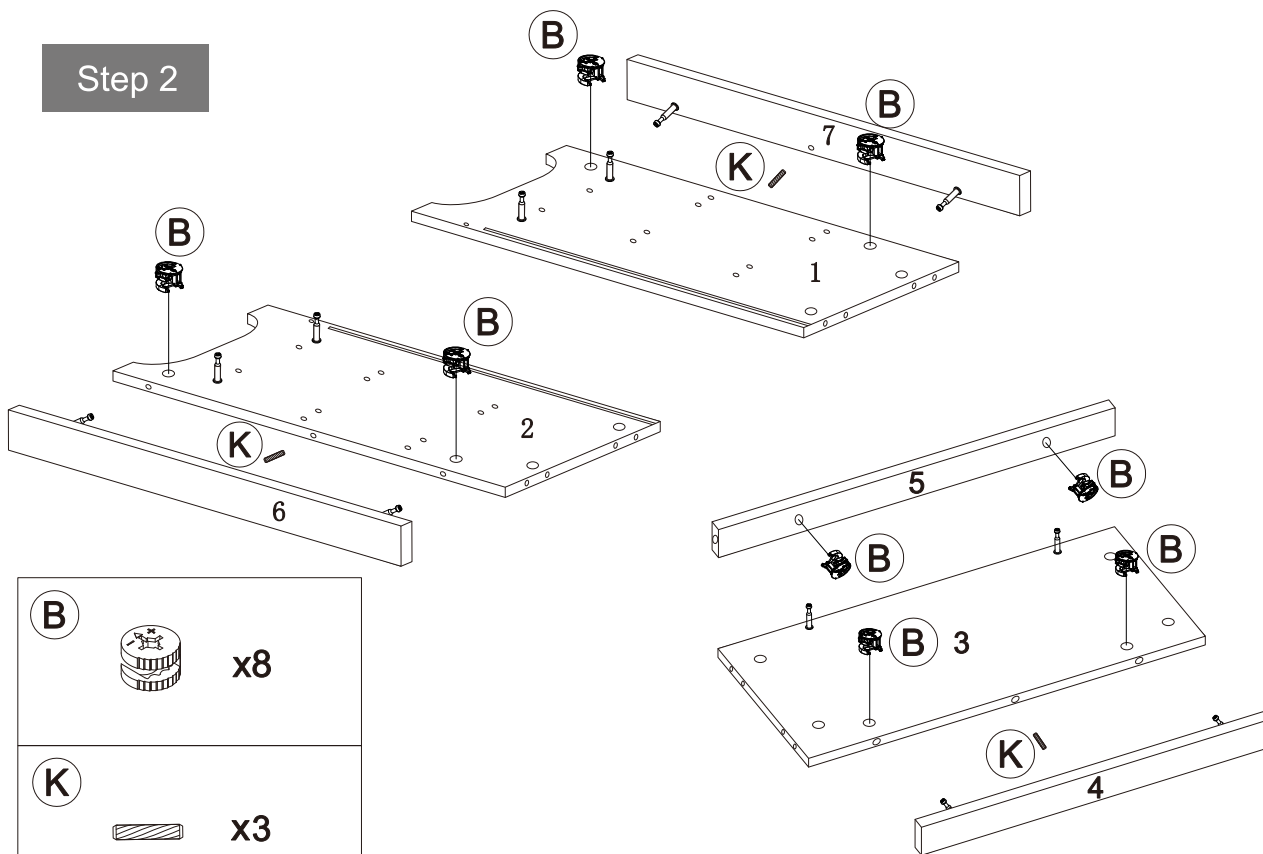
# Assembly Instruction

					
<b>1: 1pc</b>	<b>2: 1pc</b>	<b>3: 1pc</b>	<b>4: 1pc</b>	<b>5: 1pc</b>	<b>6: 1pc</b>
					
<b>7: 1pc</b>	<b>8: 4pcs</b>	<b>9: 1pc</b>	<b>10: 1pc</b>	<b>11: 1pc</b>	<b>12: 1pc</b>
					
<b>13: 2pcs</b>	<b>14: 2pcs</b>	<b>15: 1pc</b>	<b>16: 4pcs</b>	<b>17: 1pc</b>	<b>18: 1pc</b>
					
<b>19: 1pc</b>	<b>20: 1pc</b>	<b>21: 1pc</b>	<b>22: 1pc</b>	<b>23: 1pc</b>	<b>24: 2pcs</b>
					
<b>25: 3pcs</b>	<b>26: 1pc</b>	<b>27: 1pc</b>	<b>28: 2pcs</b>	<b>29: 2pcs</b>	<b>30: 2pcs</b>
					
<b>31: 2pcs</b>	<b>32: 2pcs</b>	<b>33: 2pcs</b>			

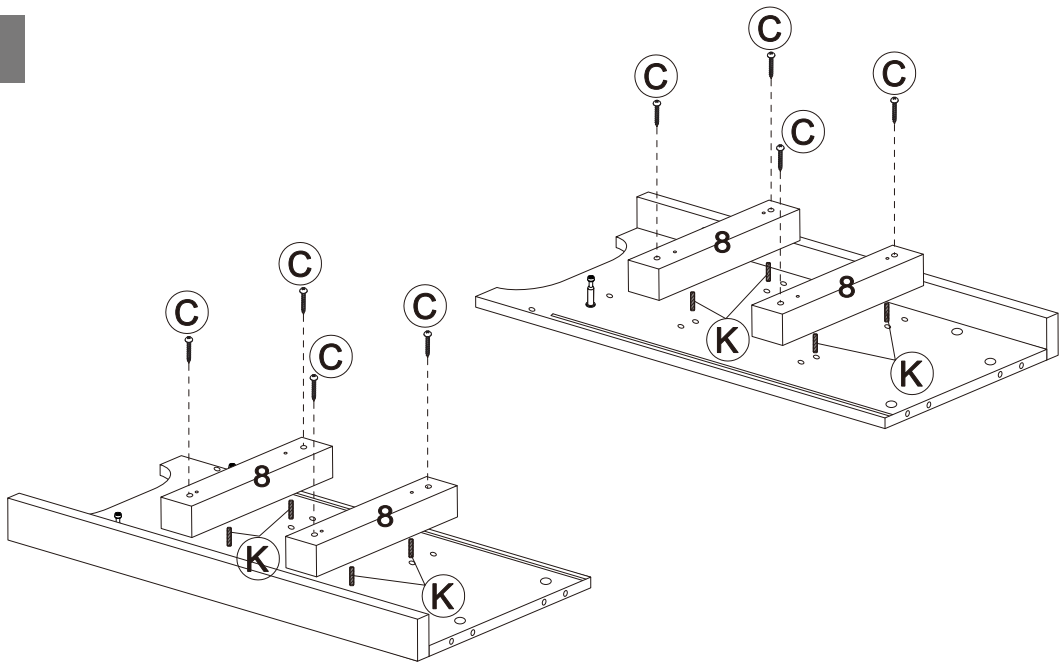
Step 1



Step 2



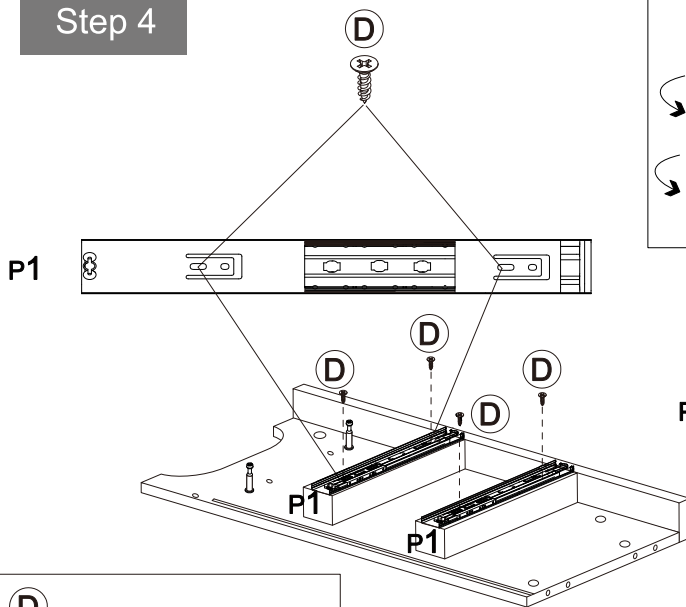
### Step 3




**C**  **x8**  
 $\varnothing 5 \times 40 \text{ mm}$

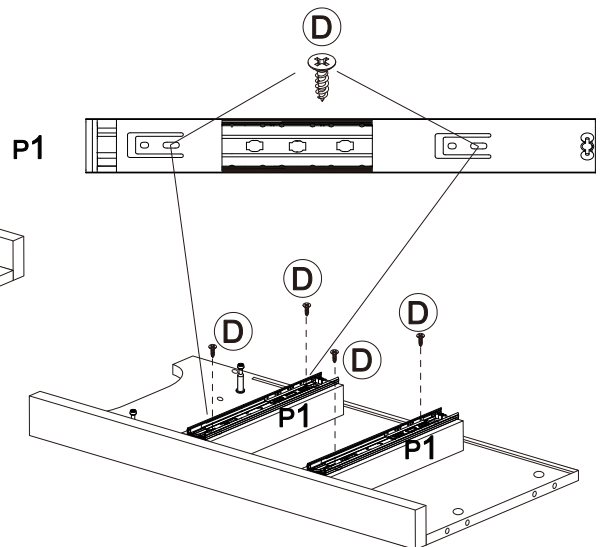
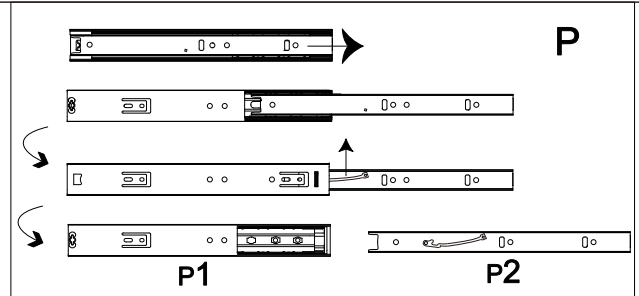
**K**  **x8**

### Step 4

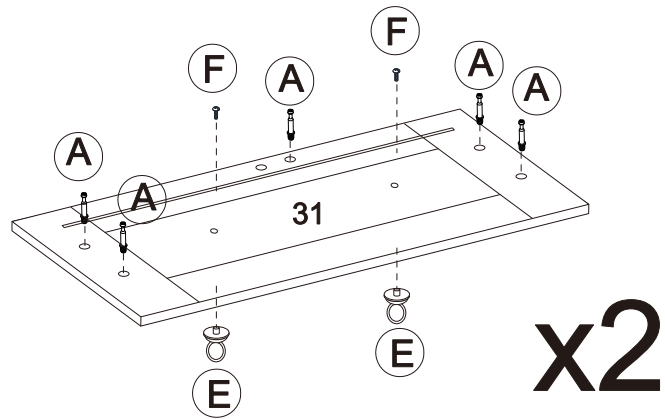


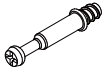


**D**  **x8**  
 $\varnothing 3 \times 12 \text{ mm}$

**P**  **x4**

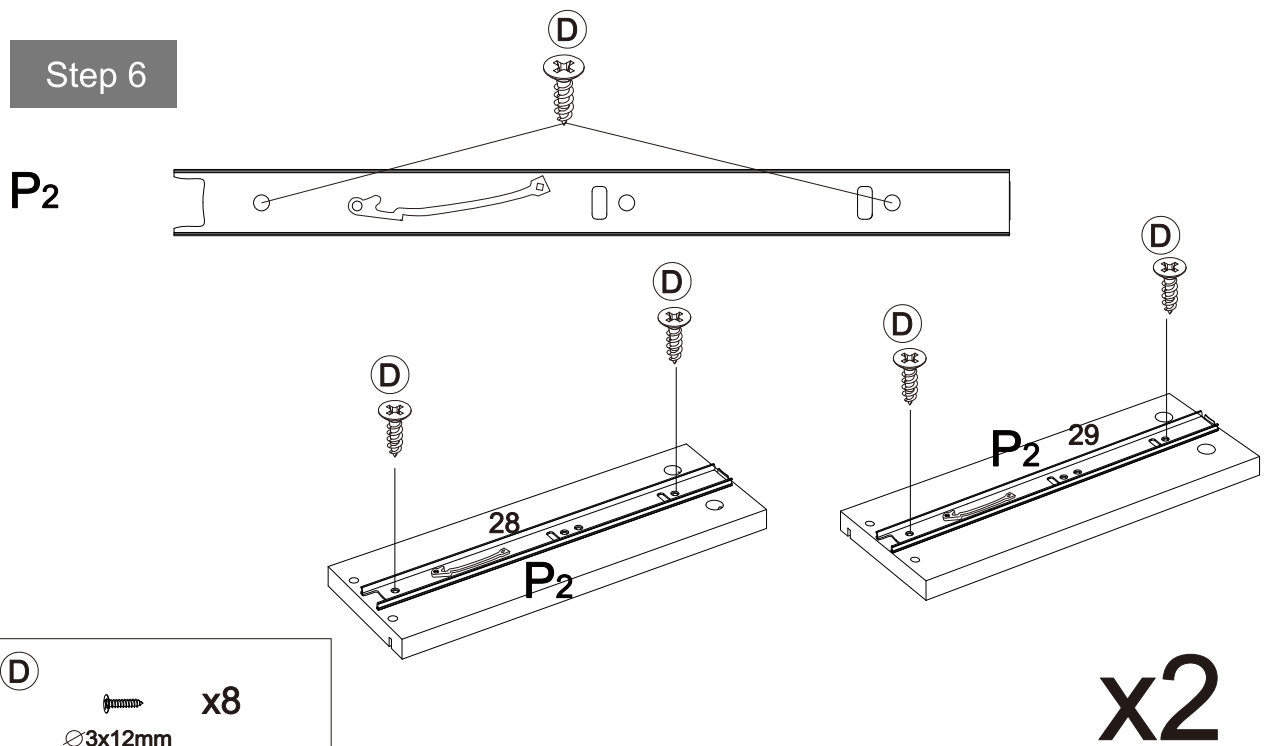




Step 5



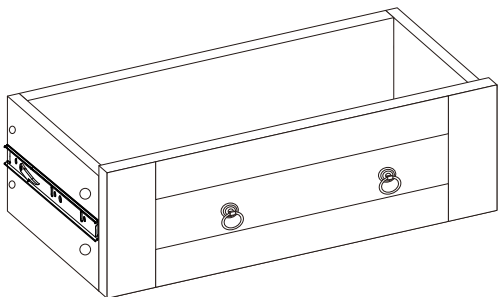
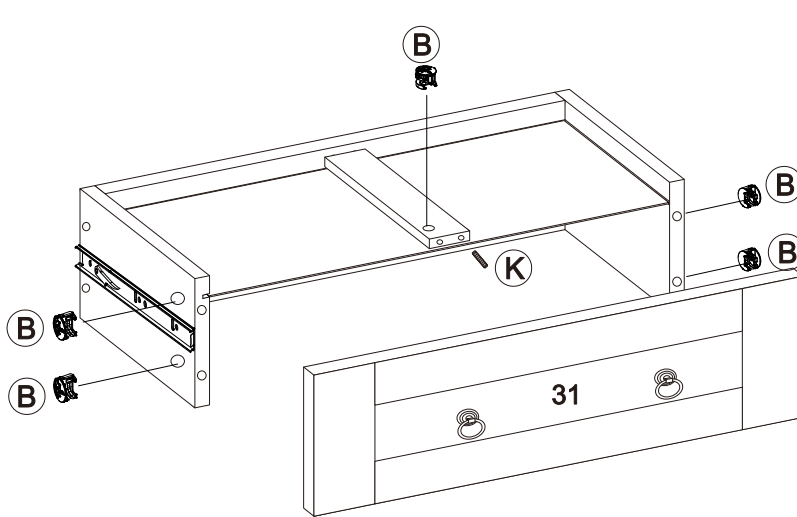
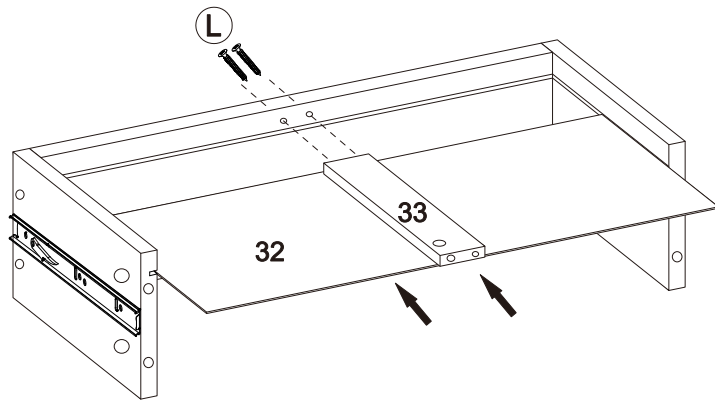
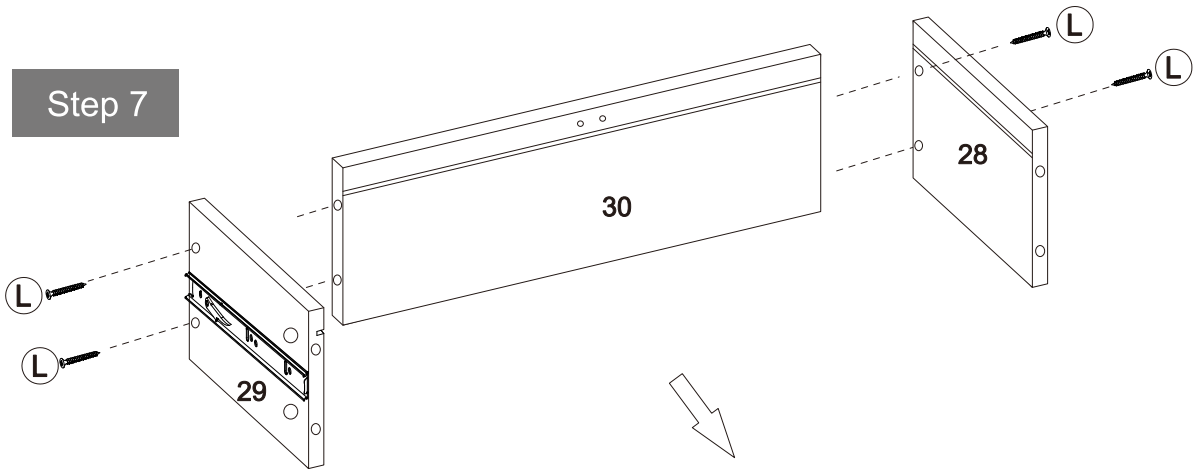
<b>A</b>		x10
<b>E</b>		x4
<b>F</b>		x4

Step 6






<b>D</b>		x8
	Ø3x12mm	
<b>P</b>		x4

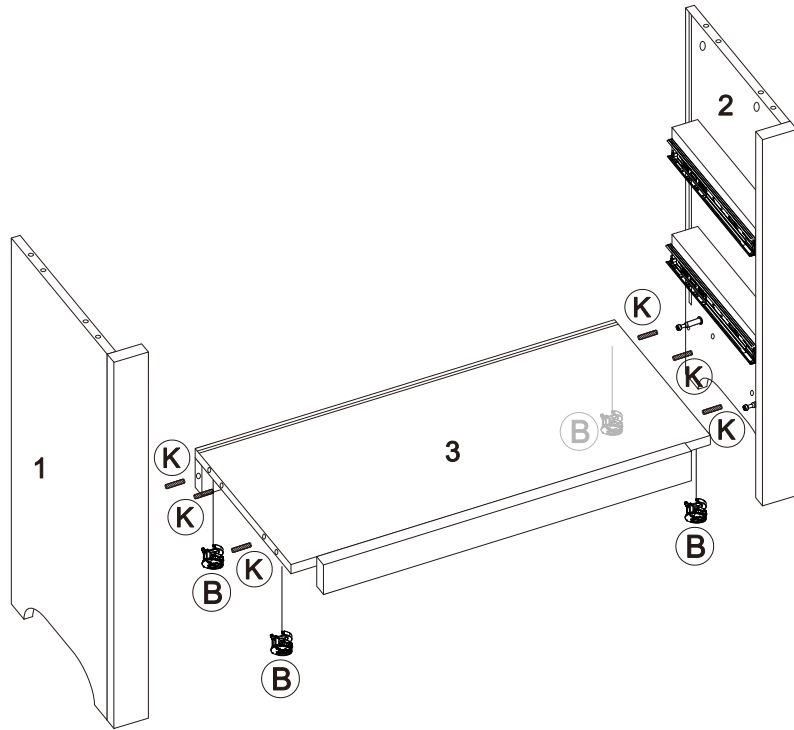
Step 7



x2

B		x10
K		x2
L	 Ø4x30mm	x12

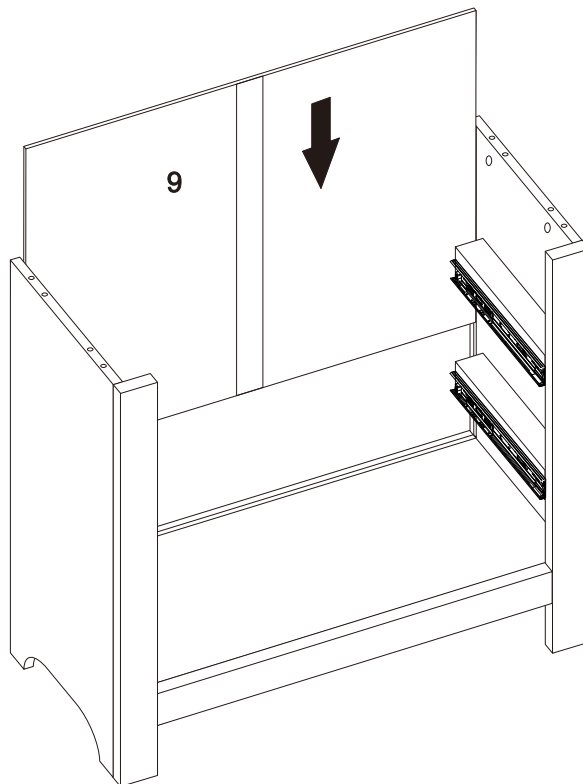
### Step 8



**B**  x4

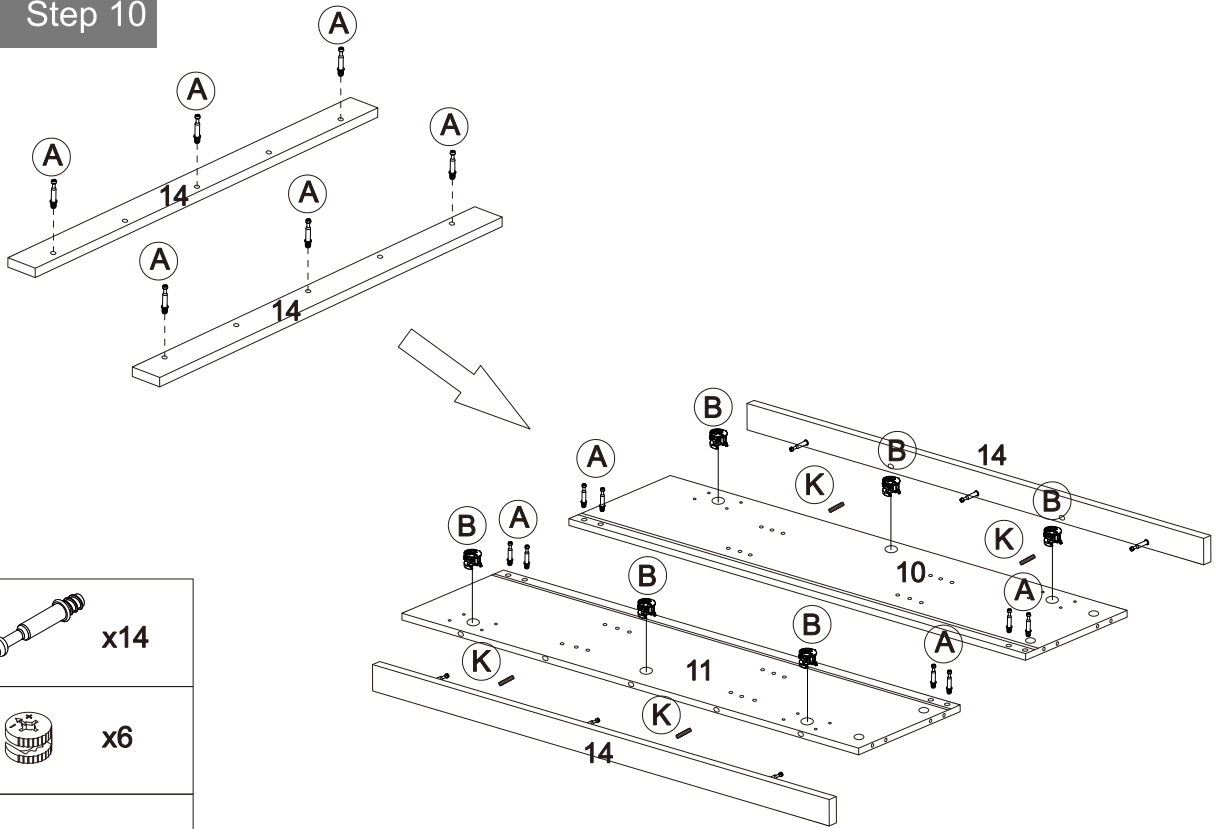
**K**  x6

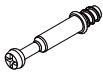
### Step 9





### Step 10

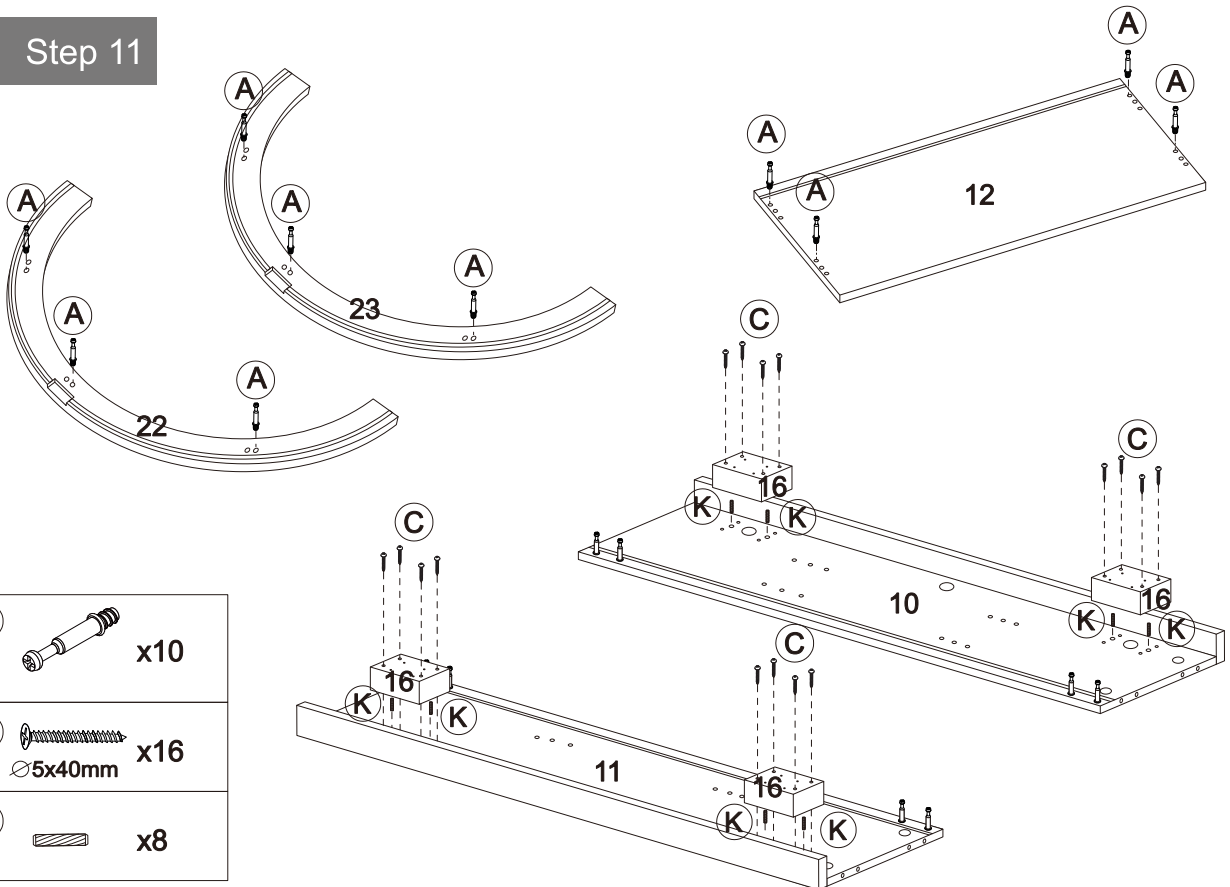


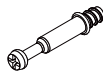
(A)  x14

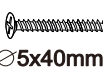
(B)  x6

(K)  x4

### Step 11

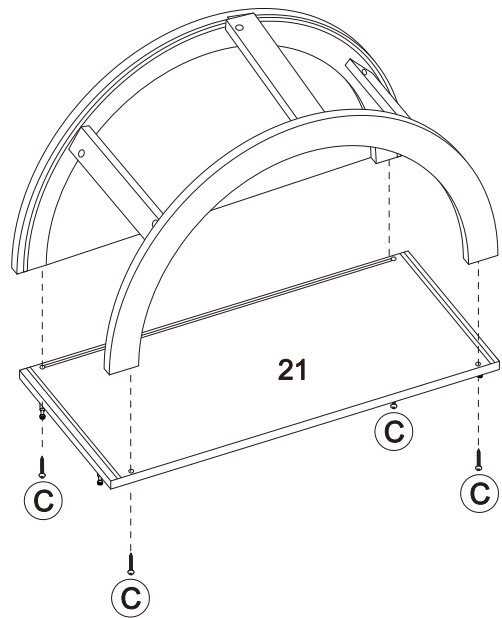
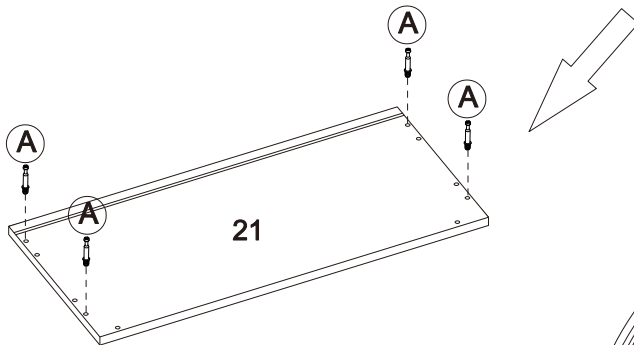
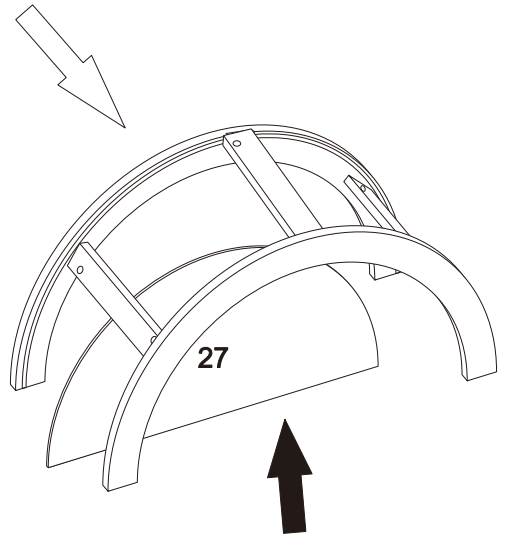
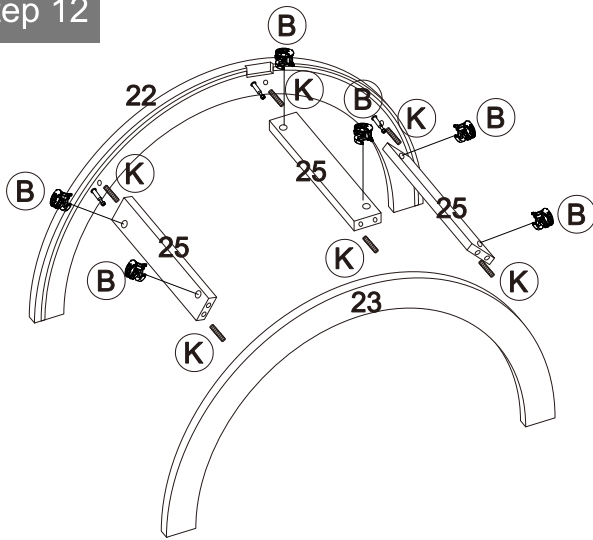


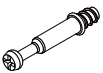
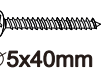


(A)  x10

(C)  x16  
 Ø5x40mm

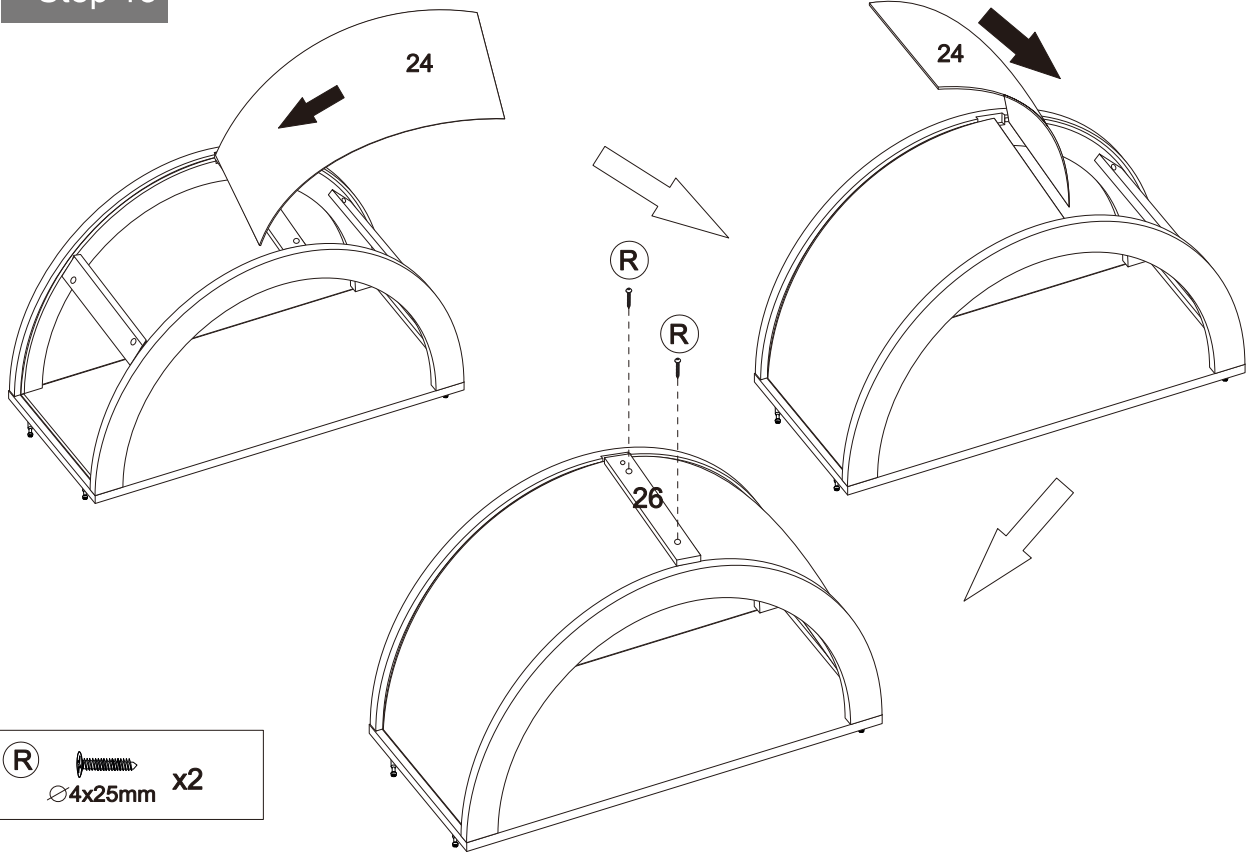
(K)  x8

Step 12

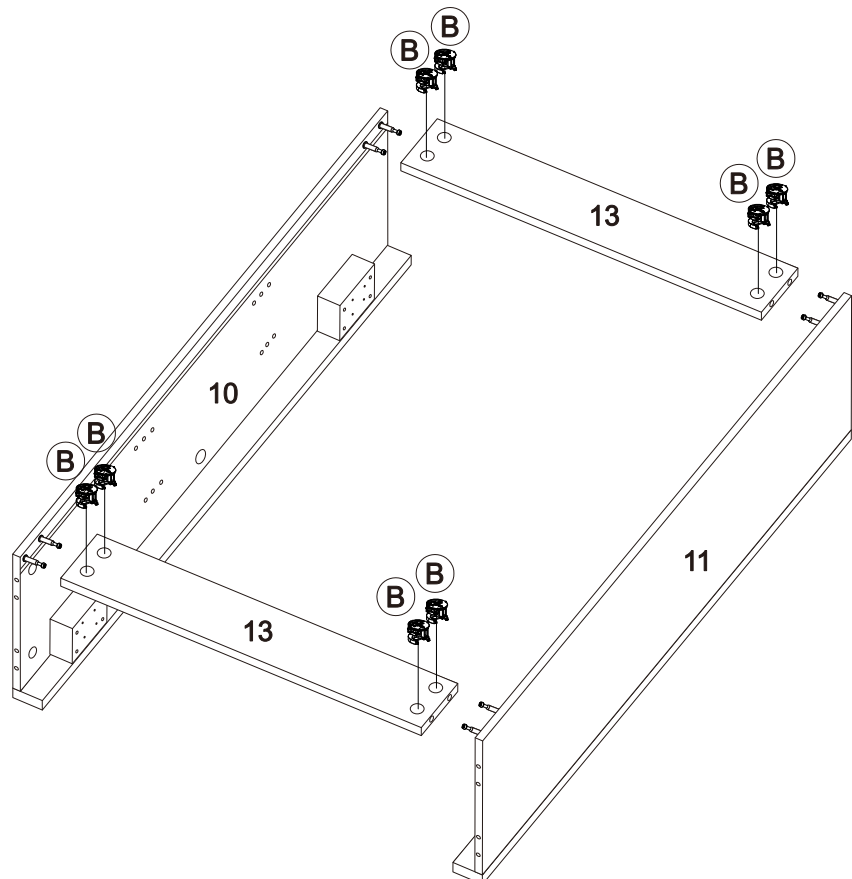


<b>A</b>		x4
<b>C</b>	 Ø5x40mm	x4
<b>B</b>		x6
<b>K</b>		x6

Step 13

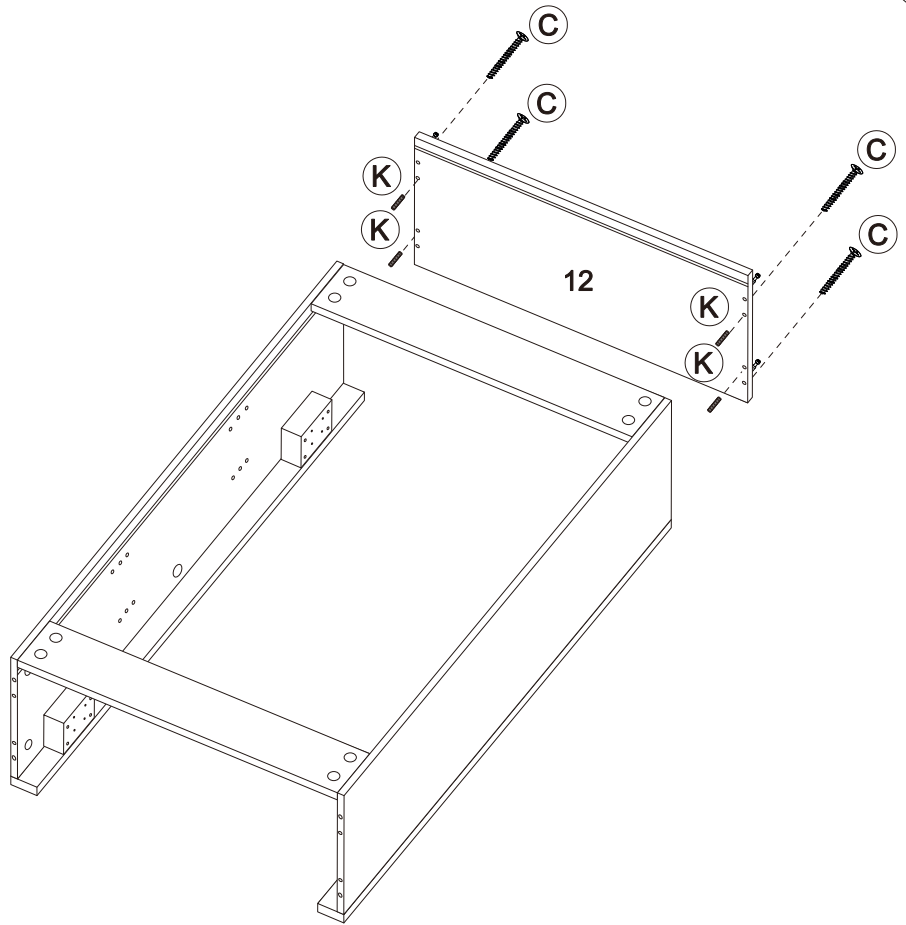


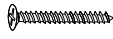
Step 14



(B)  x8

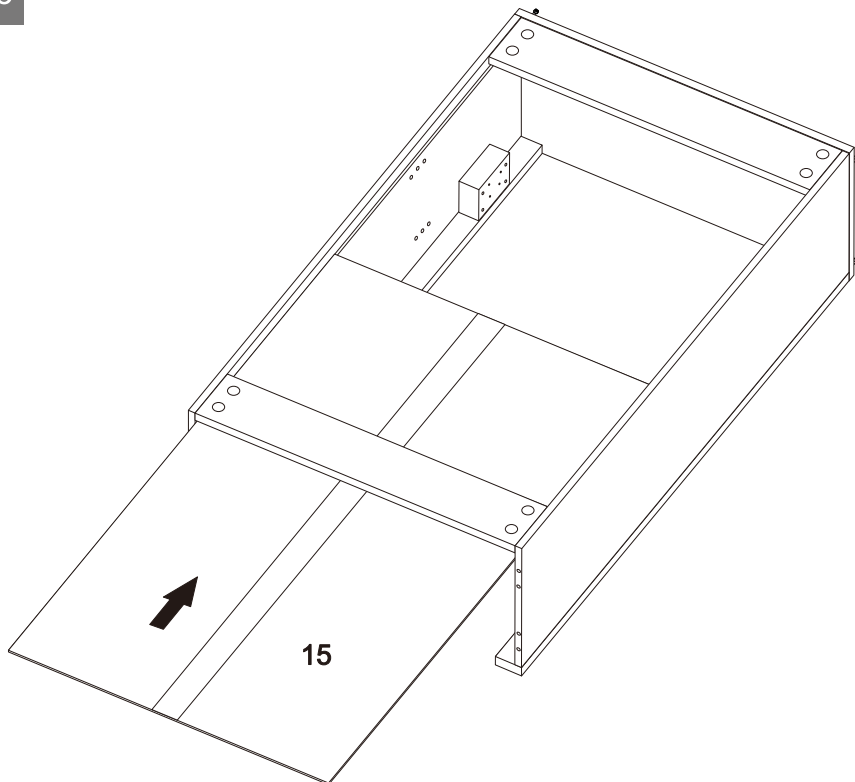
Step 15



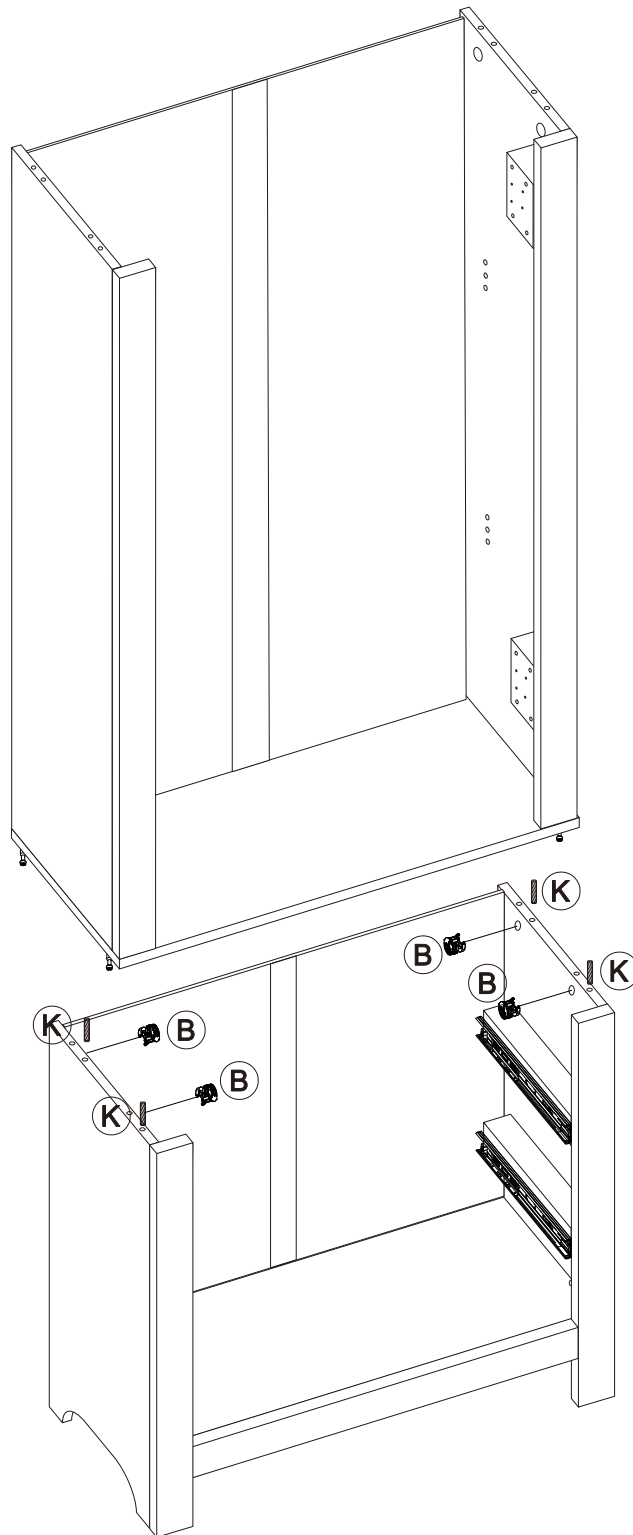
(C)  x4  
Ø5x40mm



(K)  x4

Step 16

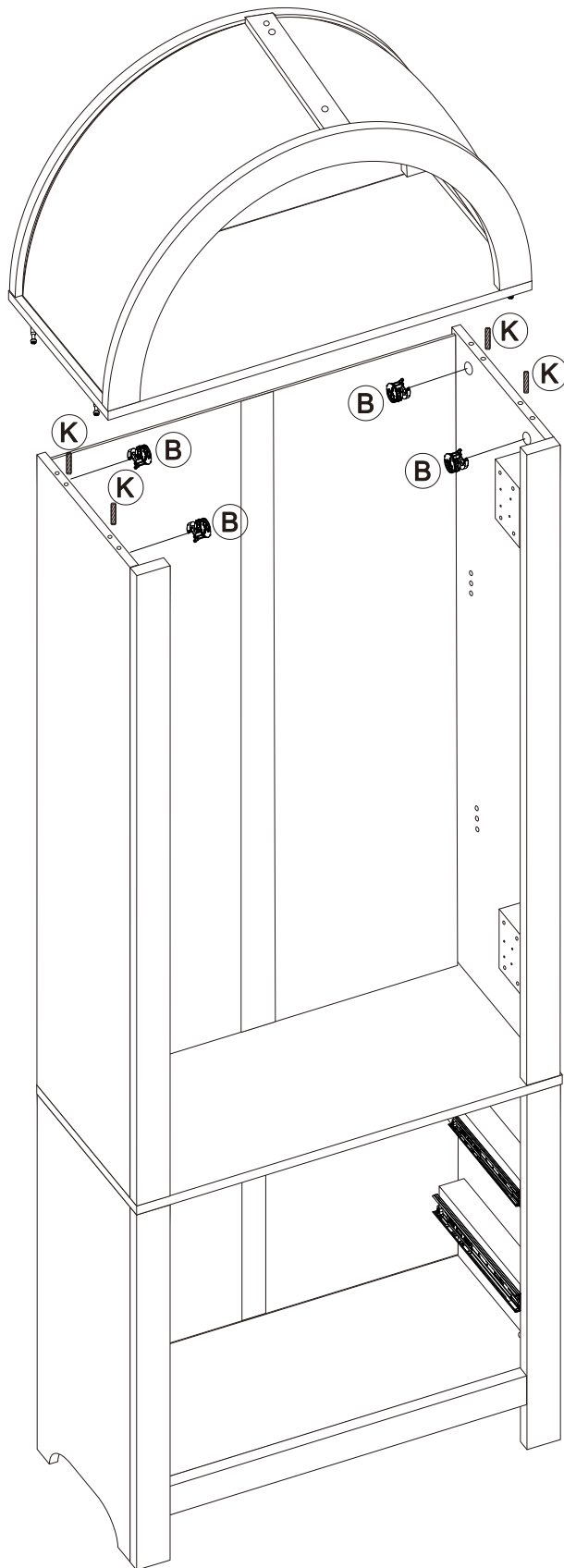




Step 17



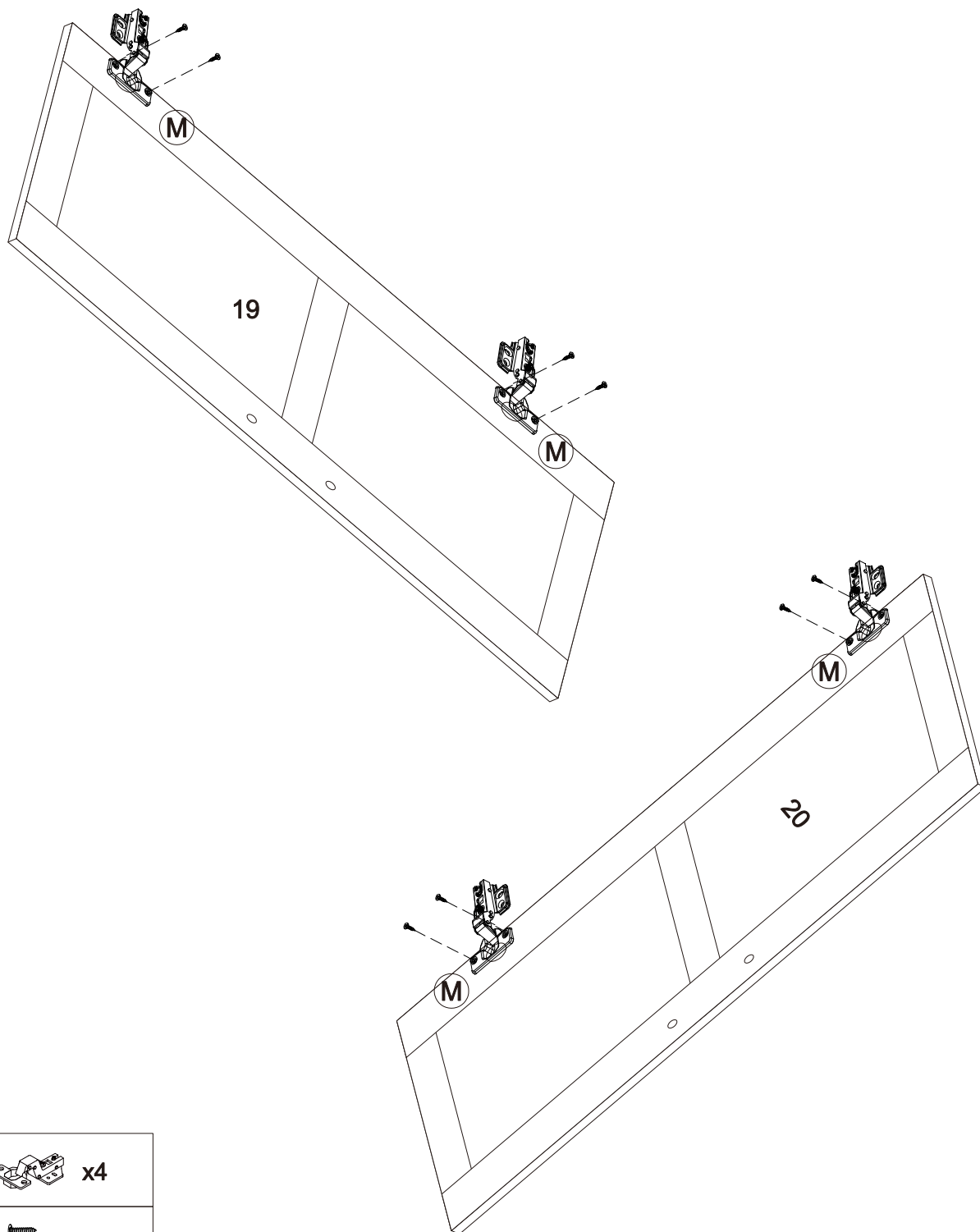
<b>B</b>		x4
<b>K</b>		x4


Step 18



<b>B</b>		x4
<b>K</b>		x4

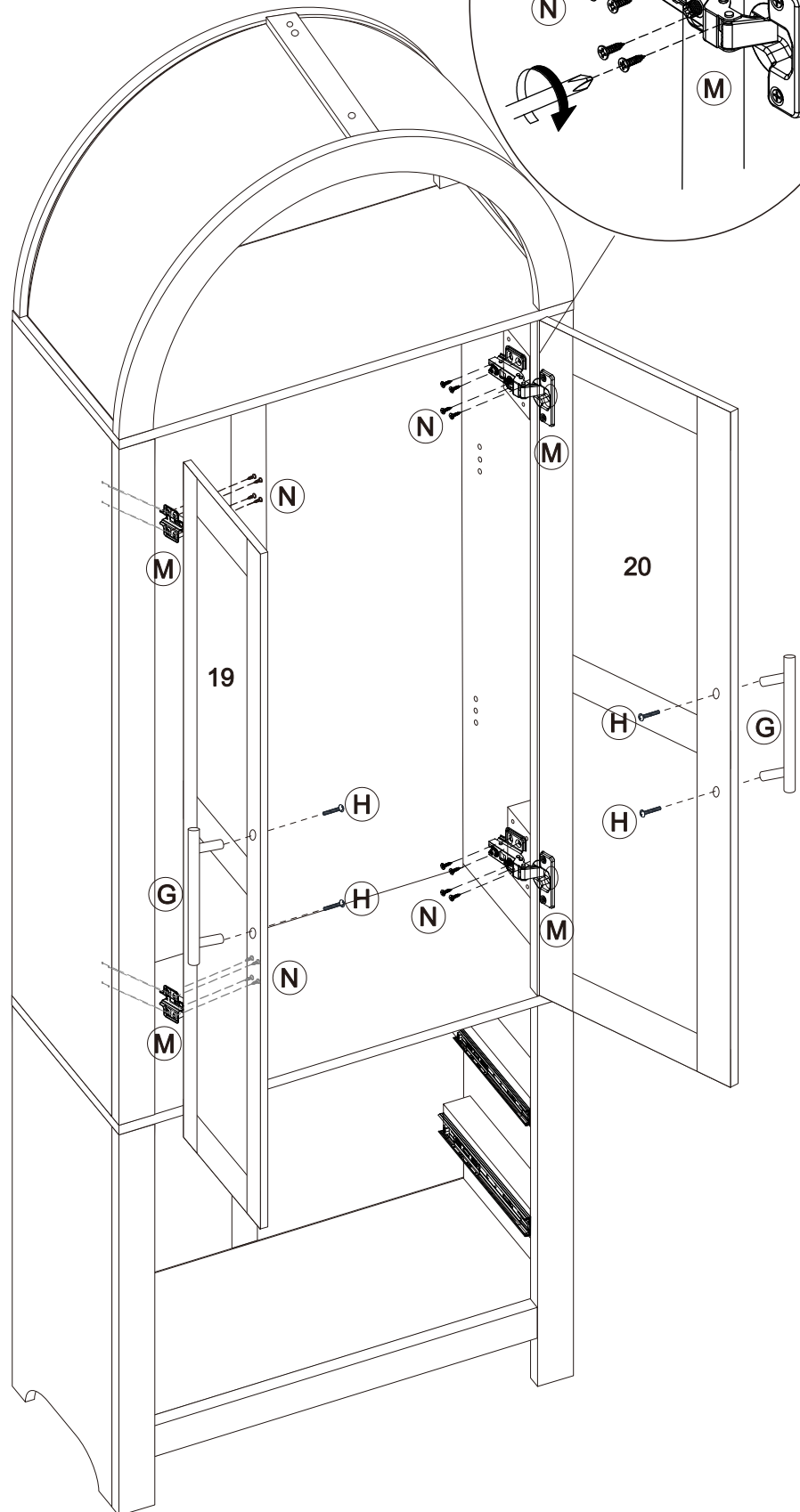
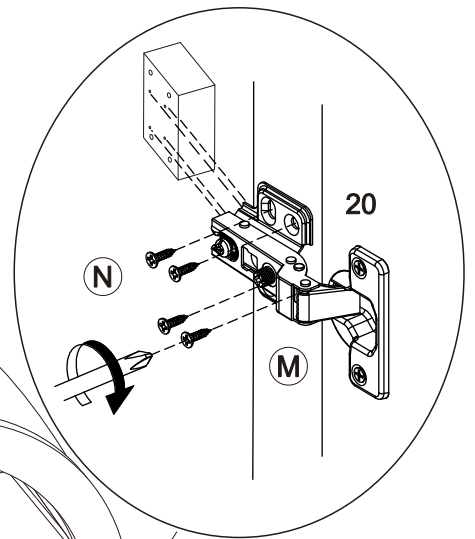
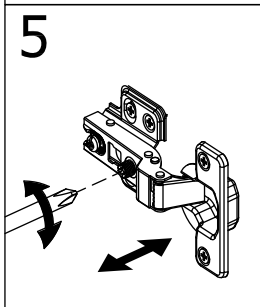
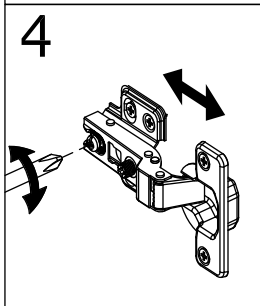
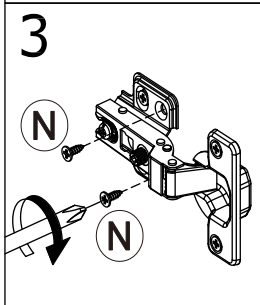
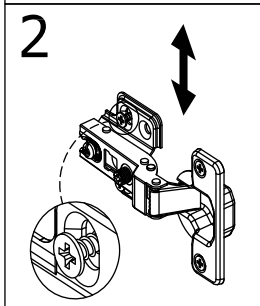
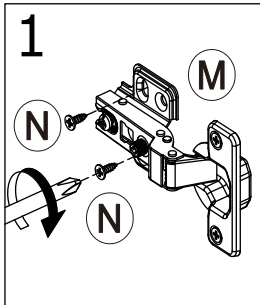
Step 19




(M)  x4


(N)   $\varnothing 4 \times 15 \text{mm}$  x8

# Step 20



**G**  x2

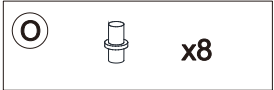
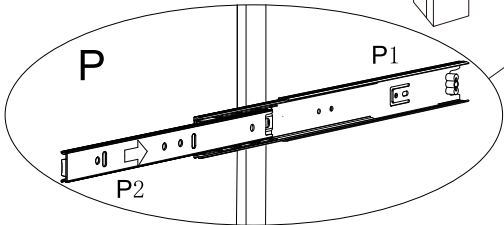
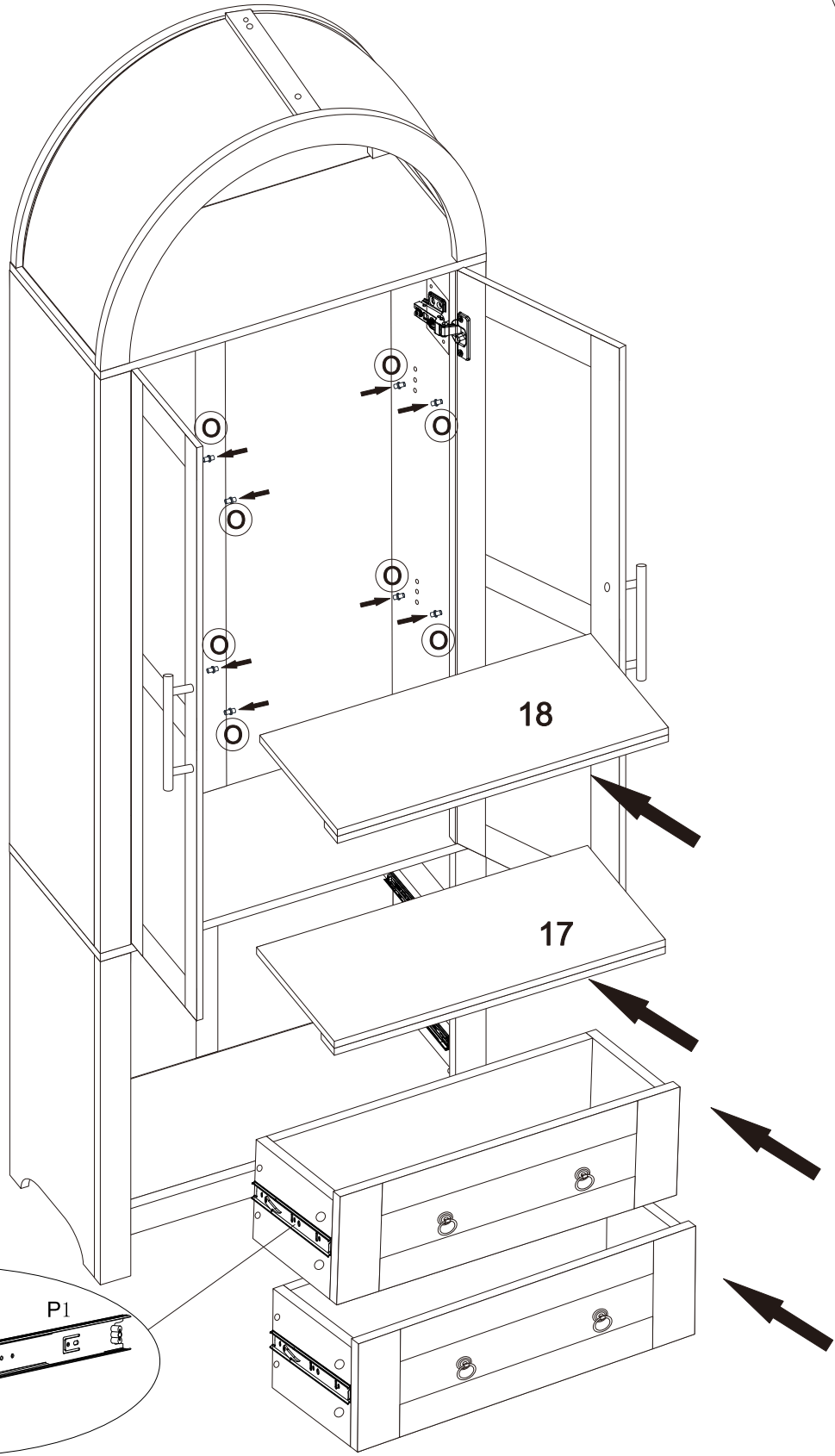
**H**  x4  
Ø4x25mm

**M**  x4

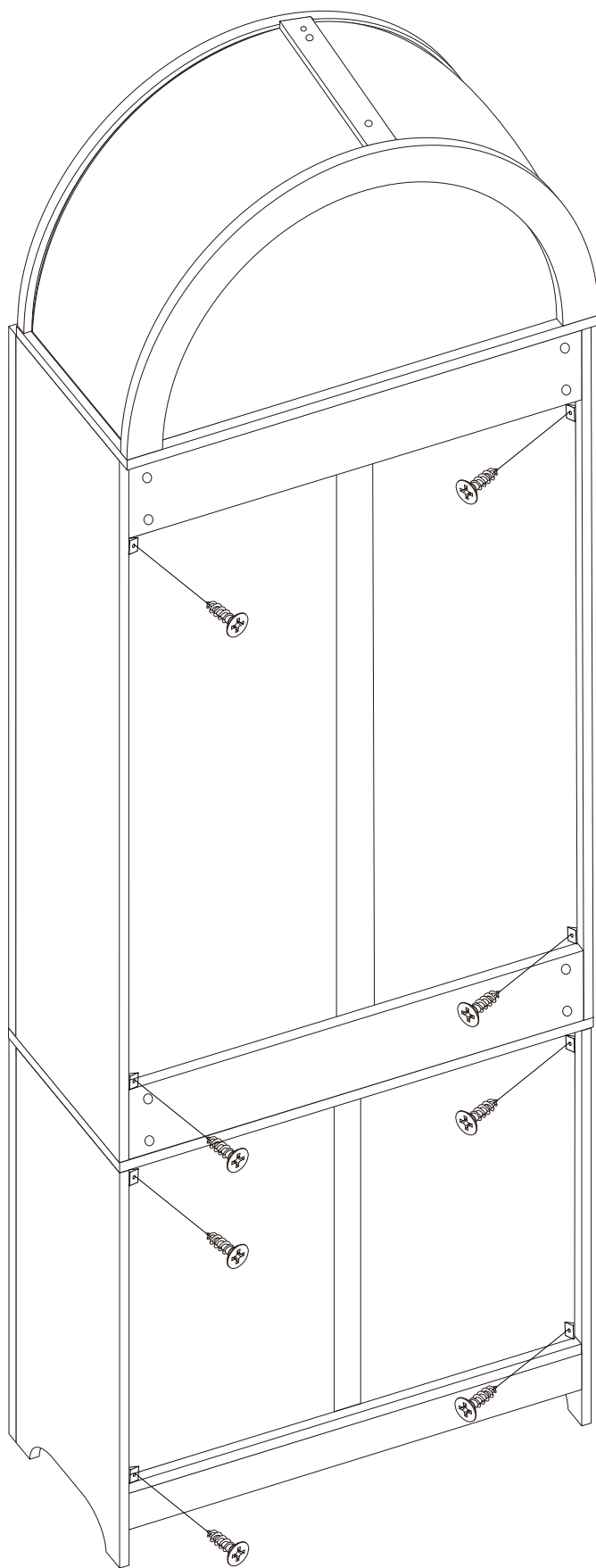
**N**  x16  
Ø4x15mm





Step 21



Step 22



I		x8
J		ø3x16mm x8

Step 23

