

Features

- Large flush actuator plate opening can be removed for easy access to inner tank.
- For use with K-18829 2x4 In-Wall tank & Carrier System.
- Dual flush actuator offers a choice of 0.8 or 1.6 gpf.

Recommended Accessories

K-18829 2x4 In-Wall Tank & Carrier System



Codes/Standards






None Applicable

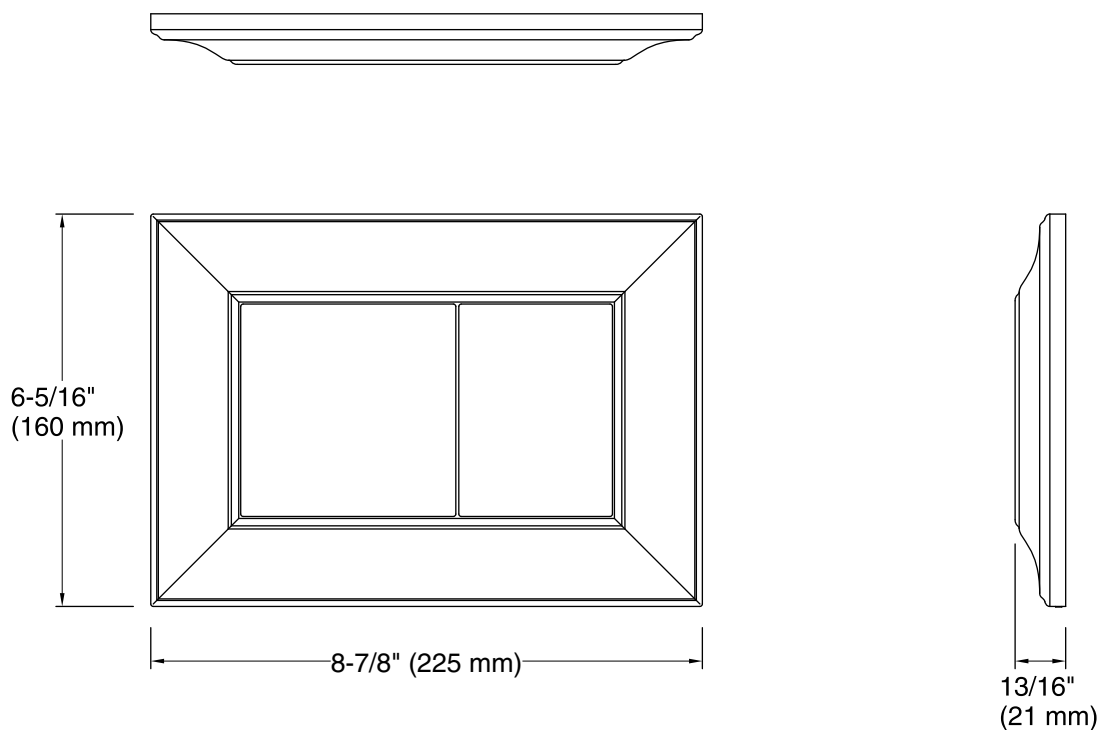
KOHLER® One-Year Limited Warranty

See website for detailed warranty information.

Available Color/Finishes

Color tiles intended for reference only.

Color	Code	Description
	CP	Polished Chrome
	BN	Vibrant® Brushed Nickel
	0	White
	96	Biscuit
	7	Black Black™



Technical Information

All product dimensions are nominal.

Notes

Install this product according to the installation instructions.