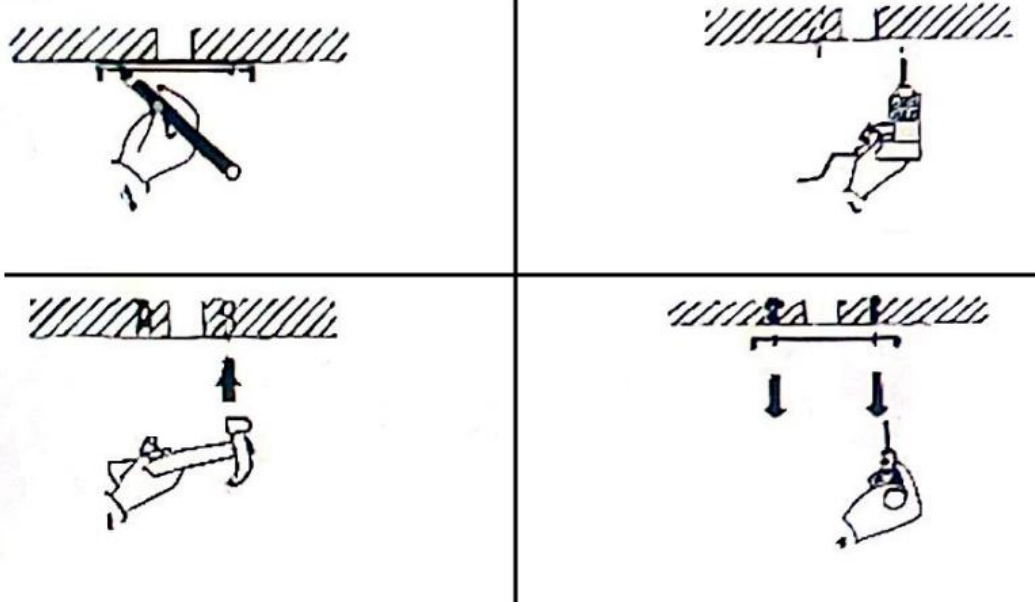
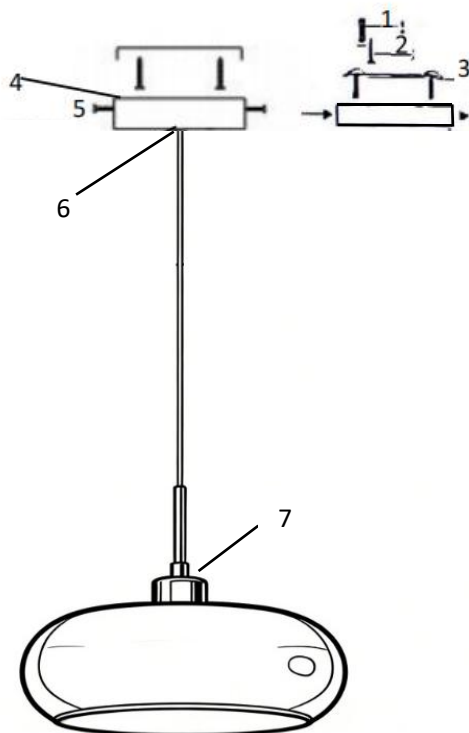


# Installation Instructions



Installation steps:



- ① Draw dots on the ceiling according to the holes of part 3, and then use a hammer to knock part 1 into the ceiling.
- ② After passing part 2 through part 3, screw it into part 1 to fix part 3.
- ③ Pass the wire through the lampshade, and then pass through part 7, part 6, and part 4 in turn to connect with the wires of the house. Then tighten part 7 and part 6 respectively.
- ④ Finally, install part 4 on part 3 and tighten part 5.

1. THIS PRODUCT IS SUITABLE FOR THE POWER OF
2. PLEASE WEAR GLOVES AS INSTALLMENT AND AVOID ROT ON THE PLATE SURFACE.
3. PLEASE TURN OFF THE POWER SOURCE BY THE TIME OF CLEANING, AND MUST USE SOFT CLOTH.
4. PROHIBITED TO USE CORROSIVE DETERGENT.
5. MUST INSTALL IN THE STABLE PLACE AND DO USUALLY PERIODICAL CHECKING.