



# Underscore® Rectangle

## 6' VibrAcoustic® BubbleMassage™ Bath

### K-1835-GVBCW



#### Features

- VibrAcoustic calms and soothes with sound vibration technology.
- Six concealed speakers send sound waves through the water to gently massage the body.
- Four original instrumental compositions offer different levels of relaxation.
- Syncs with devices enabled with BLUETOOTH® wireless technology including smartphones, MP3 players, tablets, and laptops located up to 33 feet away.\*
- Customize your experience with the high-resolution color touch screen.
- Fully adjustable volume above and below the water.
- Functions as a hydrotherapy bath when full of water and a stereo system when empty.
- 122 airjets release thousands of bubbles that surround, support, and massage the body.
- Variable-speed blower lets you adjust massage intensity to 18 levels.
- Zones of Control feature allows you to target massage to back, midsection, or feet.
- Chromatherapy lighting allows you to select a preferred color scheme to suit your mood.
- Bask heated surface creates spa-like relaxation with soothing warmth on your back and neck.
- Three heat settings allow you to customize the surface temperature.
- Generous 6-foot length provides an incredibly spacious bathing area.
- Molded lumbar support offers extra comfort while bathing.
- Clearflo slotted overflow for deep soaking.
- Includes 25 feet of wiring and amplifier.
- Immediate and manual purge cycles remove residual water from air channels after use.
- Requires K-7271 or K-7272 Clearflo slotted overflow bath drain (sold separately).
- Center drain.
- The BLUETOOTH® word mark and logos are registered trademarks owned by Bluetooth SIG, Inc. and any use of such marks by Kohler Co. is under license. Other trademarks and trade names are those of their respective owners.

#### Material

- Acrylic

#### Hydrotherapy

- VibrAcoustic
- BubbleMassage
- Chromatherapy



#### Codes/Standards

ASME A112.19.7/CSA B45.10  
 CSA B45.5/IAPMO Z124  
 ASTM E162  
 ASTM E662  
 UL 1795  
 CSA C22.2 No. 218.2  
 Greenguard UL 2818 - Gold

#### KOHLER® Plastic Baths and Receptors Lifetime Limited Warranty

#### KOHLER® Hydrotherapy Components Five-Year Limited Warranty

See website for detailed warranty information.

#### Available Colors/Finishes

*Color tiles intended for reference only.*

Color	Code	Description
	0	White
	96	Biscuit
	47	Almond
	NY	Dune
	95	Ice™ Grey
	G9	Sandbar
	K4	Cashmere
	58	Thunder™ Grey

1-800-4KOHLER (1-800-456-4537)

Kohler Co. reserves the right to make revisions without notice to product specifications.

For the most current Specification Sheet, go to [www.kohler.com](http://www.kohler.com).

1-31-2019 11:39 - US/MX

THE BOLD LOOK  
 OF **KOHLER**®

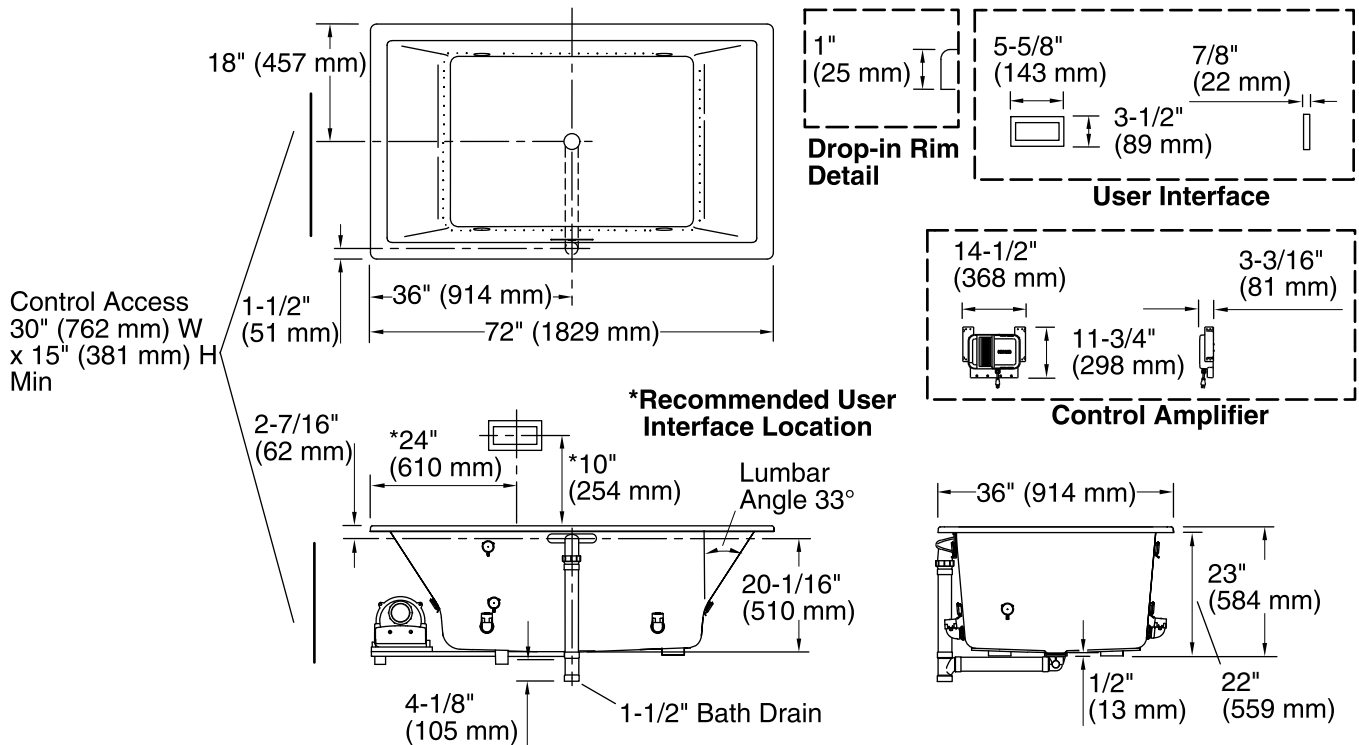


# Underscore® Rectangle

## 6' VibrAcoustic® BubbleMassage™ Bath

### K-1835-GVBCW

No change in measurements if connected with required drain illustrated. (K-7272)



### Required Electrical Service

One dedicated circuit required, protected with Class A Ground-Fault Circuit-Interrupter (GFCI) or Residual Current Device (RCD).

Blower, Amplifier, 120 V, 15 A, 60 Hz  
Heated Surface:

### Technical Information

All product dimensions are nominal.

Installation: Drop-in, Under-mount  
 Drain location: Center  
 Basin area, bottom: 45-3/4" x 25-15/16" (1162 mm x 659 mm)  
 Basin area, top: 65-3/8" x 29-5/16" (1661 mm x 745 mm)  
 Weight: 117 lbs (53.1 kg)  
 Minimum floor load: 58.6 lbs/ft<sup>2</sup> (286.1 kg/m<sup>2</sup>)  
 Water depth: 19-7/16" (494 mm)  
 Water capacity: 112.9 gal (427.4 L)  
 Cutout: Drop-in, 71-1/2" x 35-1/2" (1816 mm x 902 mm)  
 Electrical component rating: Blower: 120 V, 10 A, 60 Hz  
 Amplifier: 120 V, 1.2 A, 50/60 Hz

### Notes

Measure your actual product for rough-in details. Install this product according to the installation instructions.

The hot water supply should be 70% of the capacity of the bath or greater. Installations will vary.

Control amplifier fits 16" (406 mm) center studs. 25' (7.6 m) cables are included.

Remote blower installation kit K-1446 is available for relocating the blower. Provide access for servicing the blower.

Kit is required for under-mount installations (sold separately).

Do not relocate or alter the PVC tee or coiled flexible tubing connected to the blower. Follow the blower relocation instructions exactly.