

14

13

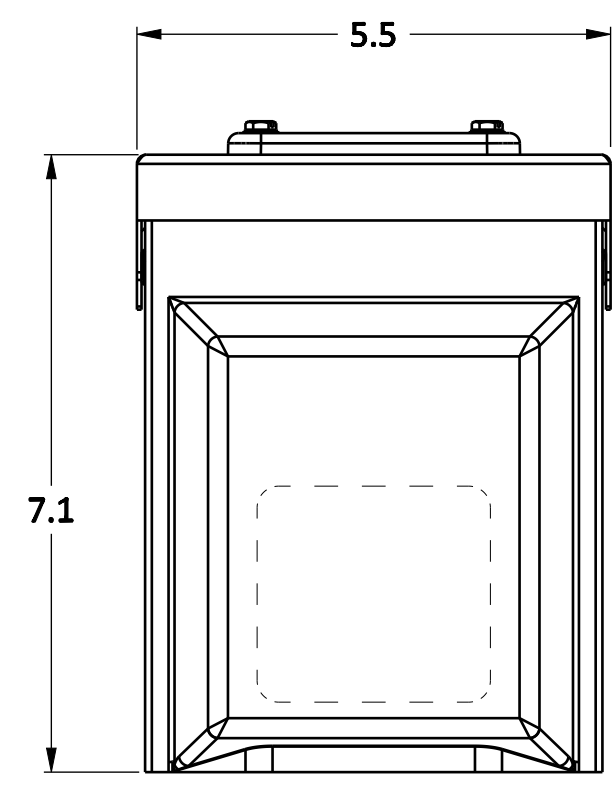
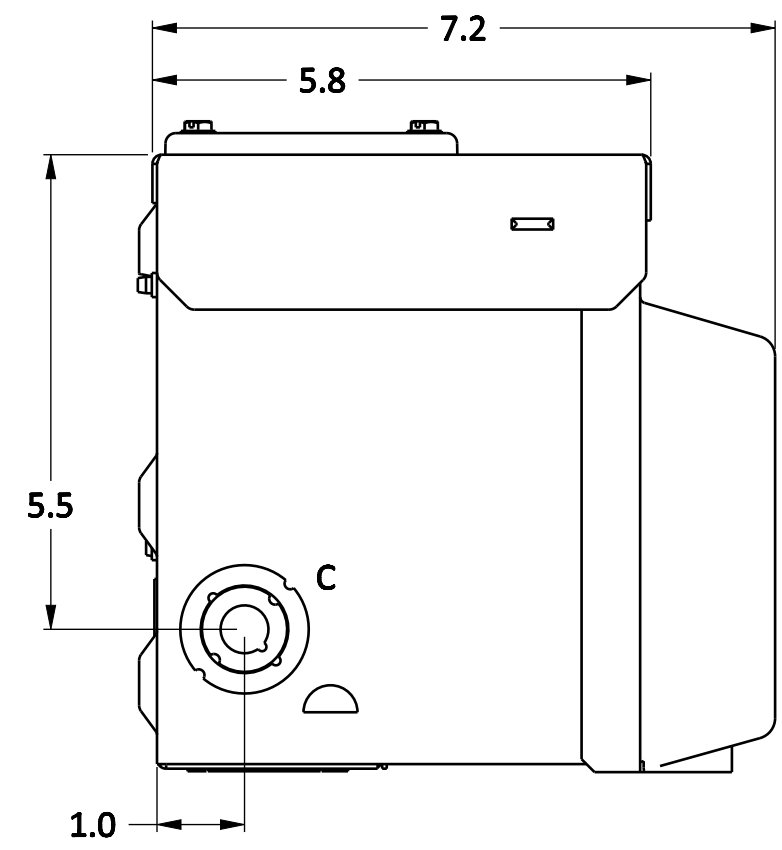
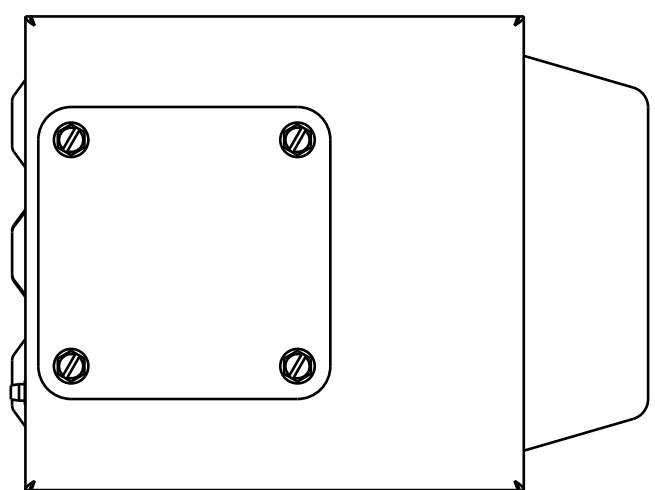
12

SIZE C DRAWING NO. REV A SHEET 1

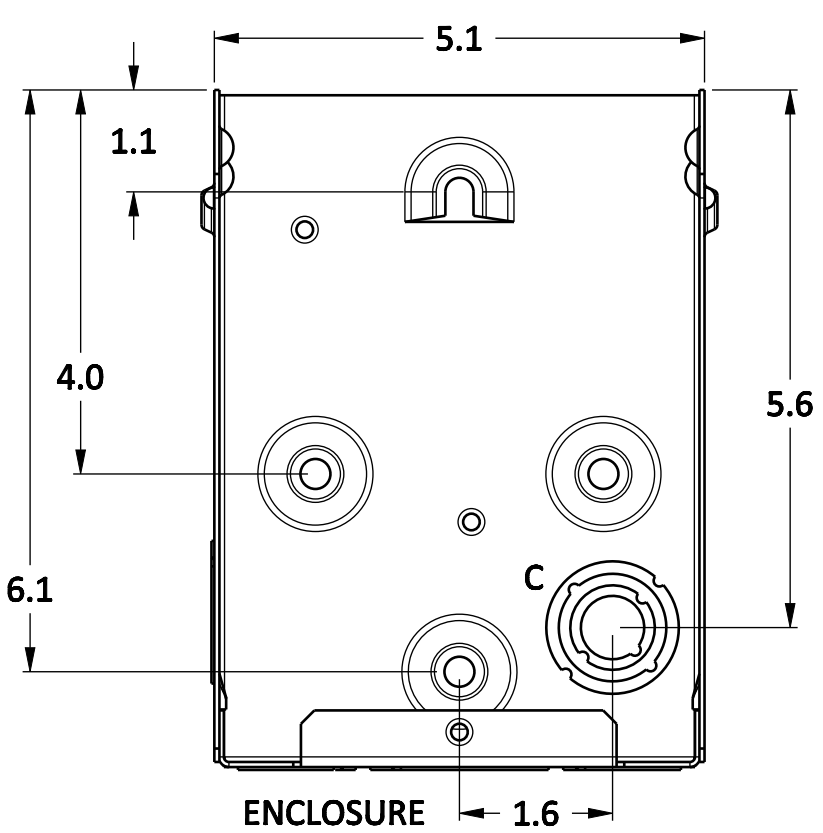
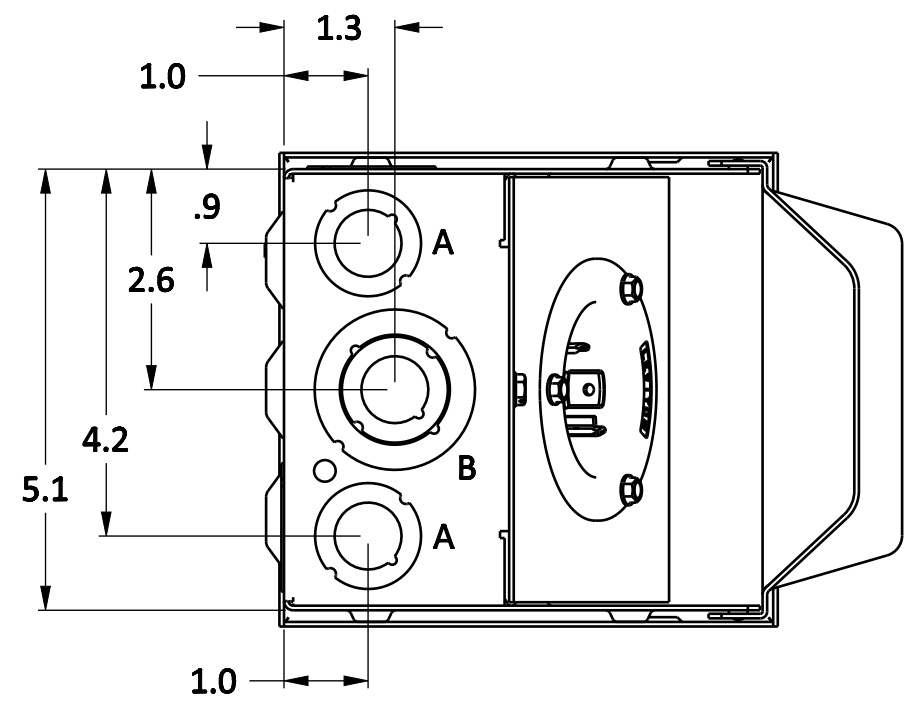
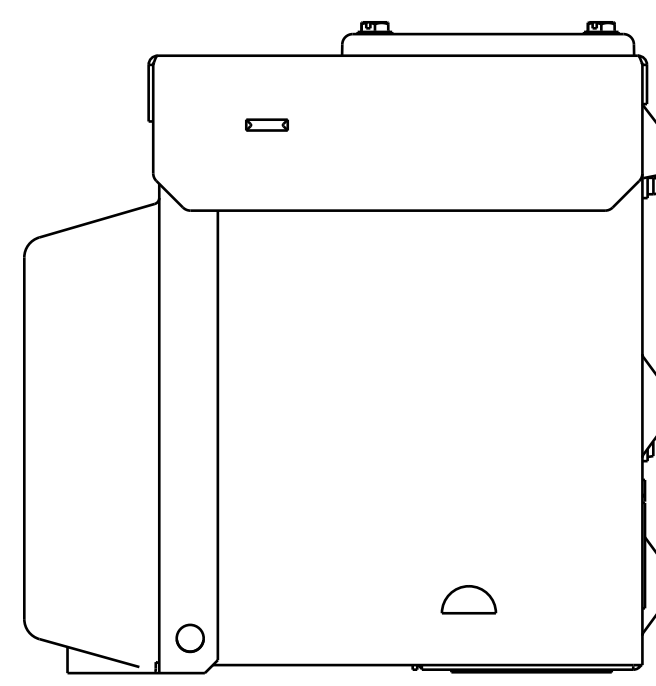
GE PROPRIETARY AND CONFIDENTIAL INFORMATION
This document is the property of General Electric Company ("GE") and contains proprietary information of GE. This document is loaned on the express condition that neither it nor the information contained therein shall be disclosed to others without the express written consent of GE Energy, and that the information shall be used by the recipient only as approved expressly by GE Energy. This document shall be returned to GE upon its request. This document may be subject to certain restrictions under U.S. export control laws and regulations.

Table with 4 columns: REV., DESCRIPTION, DATE, APPROVED. It is currently empty.

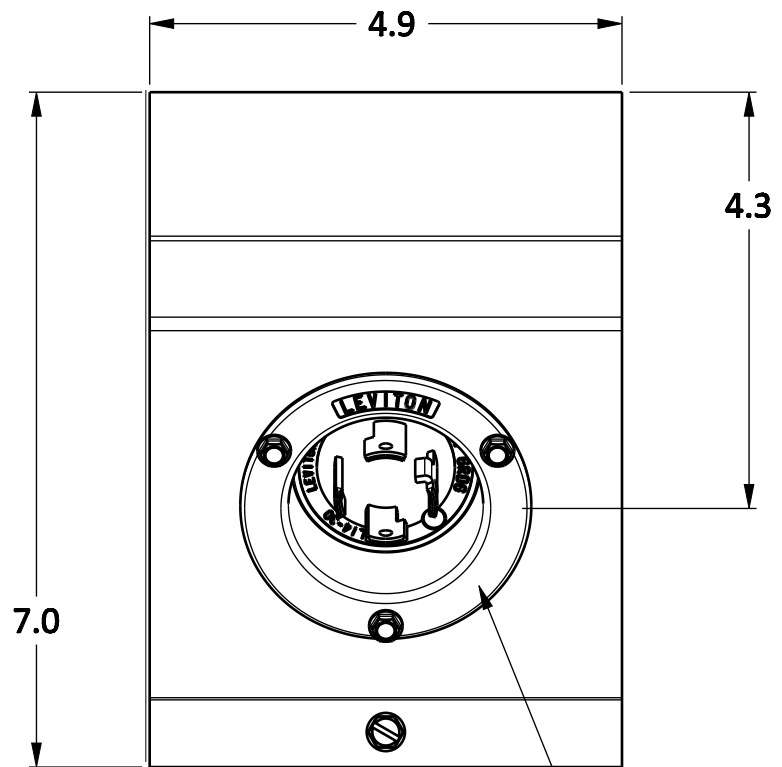
Table titled 'KNOCKOUT TABLE' with 3 rows: A = 1/2", 3/4"; B = 1/2", 3/4", 1", 1-1/4"; C = 1/2", 3/4", 1"



SCALE 0.450



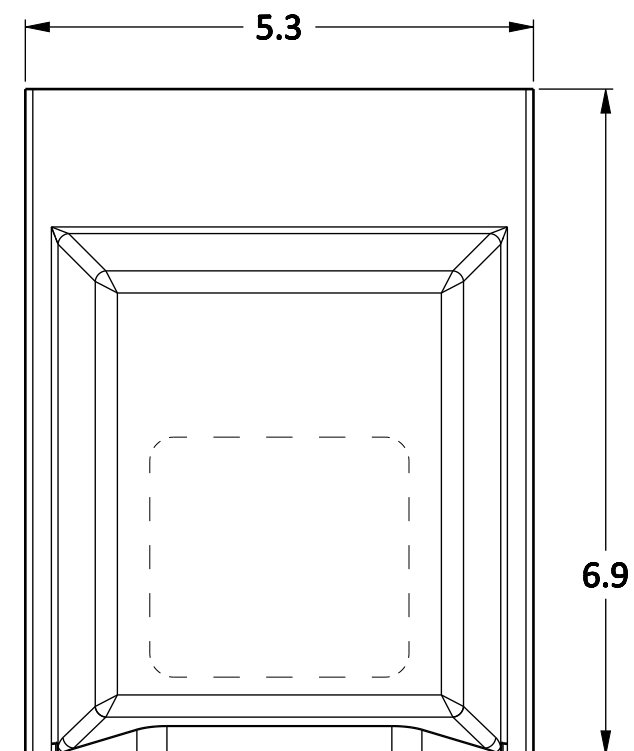
ENCLOSURE



FRONT PANEL

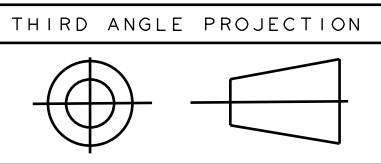
SCALE 0.500

L14-30 FLANGED INLET



FRONT COVER

WIRE RANGE TABLE
CONNECTOR | COPPER (SOLID, STRAND) | ALUMINUM (SOLID, STRAND)
LINE | 10, 10 | ---, ---
LOAD | ---, --- | ---, ---
NEUTRAL | 10, 10 | ---, ---
EQUIP. GRND. | 12-8, 12-8 | ---, ---



Part must conform to SI 900000 Sect. 4, Toxicity Procedure

Table for signatures and dates. Columns: FOR ADDITIONAL INFO REFER TO: APPLIED PRACTICES, DIMENSIONS ARE IN INCHES, TOLERANCE ON: 1 PL DECIMALS ± 0.1, 2 PL DECIMALS ± 0.02, 3 PL DECIMALS ± 0.005, ANGLES ± 1.0, FRACTIONS ± FINISH, SIGNATURES, DATE.

Midwest Electric Products logo and title block. Title: OUTLINE DRAWING FOR U030NN & U030NPP. Drawing No: 265A6204PV39. Scale: 0.300. Sheet 1 of 1.

14

13

12

11