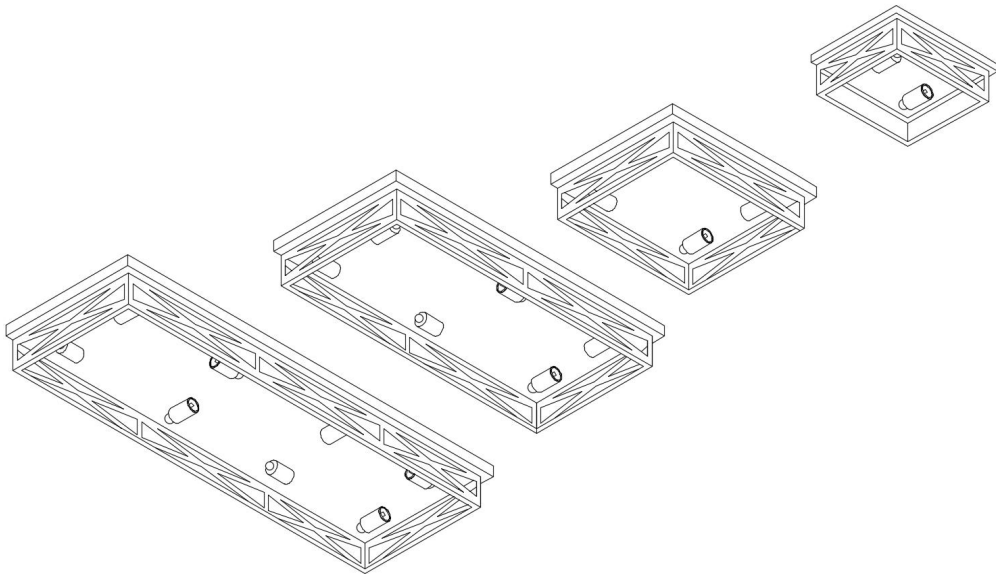


Flush Mount Ceiling Light Fixture

——CL094 Series



Warnings and Cautions:

(To reduce the risk of fire, electric shock, or injury to persons)

1. Please read the instructions carefully and save them, as you may need them at a later time.
2. We suggest installation by a licensed electrician. It must be understood that common sense, caution, and care must be used with any electrical products.
3. Before you start, NEVER attempt any work without shutting off the electricity until the work is done.

A) Go to the main fuse or circuit breaker box in your home. Place the main power switch in the "OFF" position. B) Place the wall switch in the

“OFF” position.

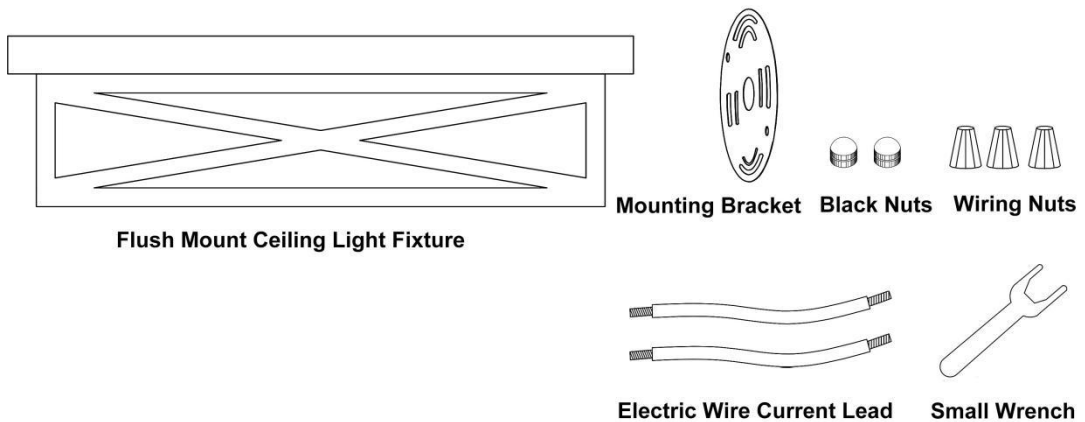
4. When replacing the bulb, you should turn off or unplug the lamp and you must wait until it is cool, as bulbs get hot quickly.

5. Do not touch the bulb or lampshade while the lighting fixture is working.

6. Make sure the voltage you are using is 110V. The maximum wattage is 60W per bulb.

7. The safety instructions appearing in this manual are not meant to cover all possible conditions that may occur.

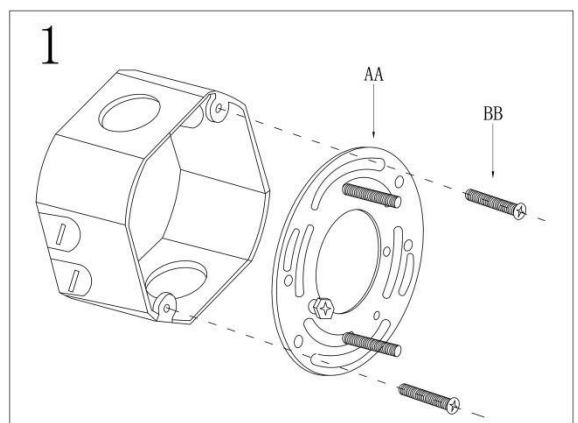
Package Included



Installation steps

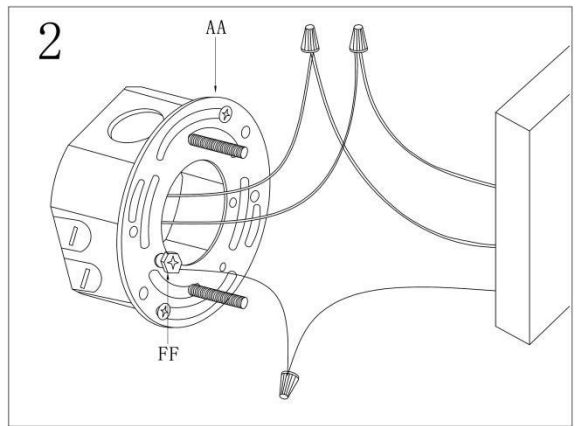
Step 1

Fix the mounting bracket to the junction box.



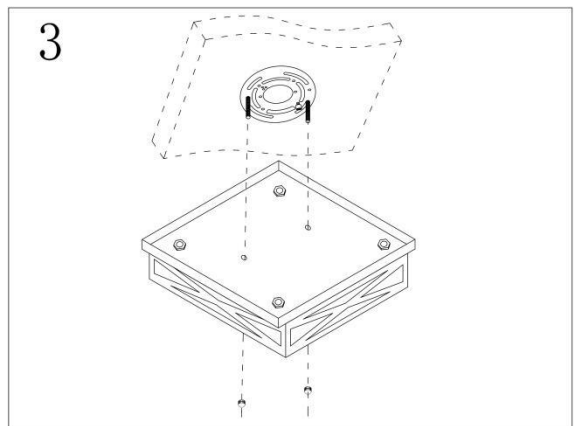
Step 2

Connect the wire(L), zero(N) and ground(E) to the junction box.



Step 3

Use the black nut to lock the lamp body on the mounting bracket.



Step 4

Install the E26 light bulb.

