



ITEM #6020794/6600947

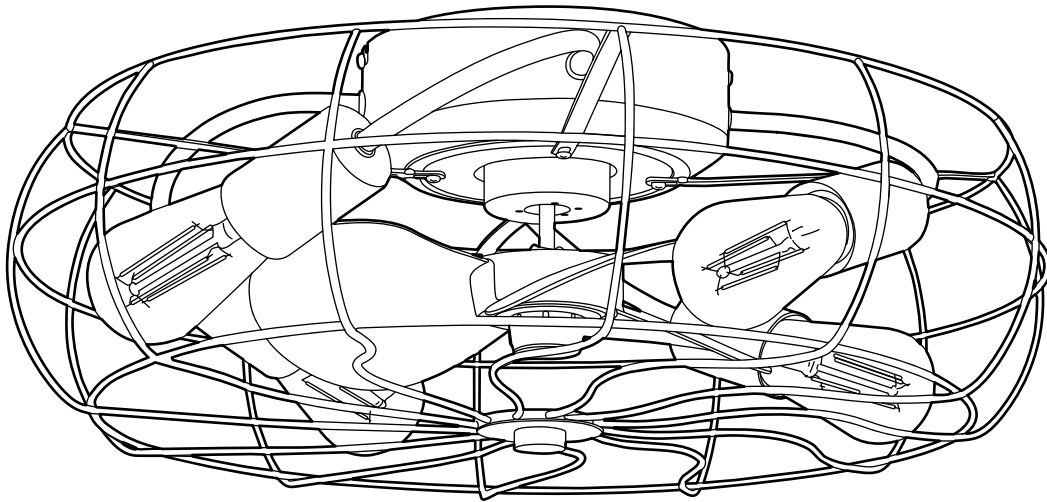
MODEL #BR20MBK3LR/BR20BZ3LR

# PORTSIDE FANDELIER WITH REMOTE CONTROL

HARBOR BREEZE and logo design are trademarks or registered trademarks of LF, LLC. All rights reserved.

Español p. 14

ATTACH YOUR RECEIPT HERE




Purchase Date \_\_\_\_\_



**Intertek**  
4007498

APPROVED FOR USE  
IN DAMP LOCATIONS

 Thank you for purchasing this HARBOR BREEZE product.  
 Questions, problems, missing parts?  
 Before returning, contact us on:  
**888-251-1003**, 8 a.m-8 p.m., EST, Monday-Sunday or [ascs@lowes.com](mailto:ascs@lowes.com).

## **TABLE OF CONTENTS**

---

Safety Information .....	2
Package Contents .....	5
Hardware Contents .....	5
Preparation .....	6
Assembly Instructions .....	6
Operating Instructions .....	10
Care and Maintenance .....	11
Troubleshooting .....	12
Limited Lifetime Warranty .....	13
Replacement Parts List .....	13

## **SAFETY INFORMATION**

---

 **CAUTION:** Changes or modifications not approved by the party responsible for compliance could void the user's authority to operate the equipment.

**\*NOTE:** This equipment has been tested and found to comply with the limits for a Class B digital device, pursuant to Part 15 of the FCC Rules. These limits are designed to provide reasonable protection against harmful interference in a residential installation. This equipment generates, uses and can radiate radio frequency energy and, if not installed and used in accordance with the instructions, may cause harmful interference to radio communications. However, there is no guarantee that interference will not occur in a particular installation. If this equipment does cause harmful interference to radio or television reception, which can be determined by turning the equipment off and on, the user is encouraged to try to correct the interference by one or more of the following measures:

- \* Reorient or relocate the receiving antenna.
- \* Increase the separation between the equipment and receiver.
- \* Connect the equipment into an outlet on a circuit different from that to which the receiver is connected.

Consult the dealer or an experienced radio/TV technician for help.

The device complies with Part 15 of the FCC Rules. Operation is subject to the following two conditions: (1) this device may not cause harmful interference, (2) this device must accept any interference received, including interference that may cause undesired operation.

Distributed by: Litex Industries Inc., P.O. Box 535639, Grand Prairie, TX, 75050; 800-527-1292

**NOTE:** Dimmable to 10%.

## SAFETY INFORMATION

### READ AND SAVE THESE INSTRUCTIONS

Please read and understand this entire manual before attempting to assemble, install or operate the product. Review the accompanying assembly diagrams.

- Do not discard fan carton or inserts. Should this fan need to be returned to the factory for repairs, it must be shipped in its original packaging to ensure proper protection against damage that might exceed the initial cause for return.
- Make sure all electrical connections comply with local codes, ordinances, the National Electrical Code and ANSI/NFPA 70-1999. Hire a qualified electrician or consult a do-it-yourself wiring handbook if you are unfamiliar with installing electrical wiring.
- After you install the fan, make sure all connections are secure to prevent the fan from falling.
- The net weight of this fan including the light kit is: 6.17 lbs.

## DANGER

When using an existing outlet box, make sure the outlet box is securely attached to the building structure and can support the full weight of the fixture. Failure to do this can result in serious injury or death. The stability of the outlet box is essential in minimizing wobble and noise in the fixture after installation is complete.

TURN OFF ELECTRICITY at main fuse box (or circuit breaker box) before beginning installation by removing the fuse (or switching the circuit breaker off).

DO NOT connect this fixture to an electrical system that does not provide a means for equipment grounding. Never use a fixture in a two-wire system that is not grounded. Installing a fixture into an electrical system not having a proper grounding means could cause metal parts of the fixture to carry electrical currents if any of the fixture wires, wire connections or splices were to become broken, cut or loose during the mounting or normal operation of the fixture. Under this condition, anyone coming in contact with the fixture would be subject to electrical shock, which could cause serious injury or death.

DO NOT connect the BARE or GREEN insulation fixture ground wire to the BLACK (HOT) current-carrying wire or the WHITE (NEUTRAL) house wire. Connection of the BARE or GREEN fixture ground wire to the BLACK or WHITE house wires may cause metal parts of the fixture to carry electrical currents. Under this condition, anyone coming in contact with the fixture will receive electrical shock, which could cause serious injury or death.

DO NOT damage or cut the wire insulation (covering) during installation of fixture. DO NOT permit wires to contact any surface having a sharp edge. To do so may damage or cut the wire insulation, which could cause serious injury or death from electrical shock.

Before proceeding, be sure to shut off electricity at main switch or circuit breaker in order to avoid electrical shock.

## WARNING



To reduce the risk of fire, electrical shock or personal injury, mount fixture to outlet box marked "ACCEPTABLE FOR FAN SUPPORT OF 35 LBS. OR LESS" and use mounting screws provided with the outlet box. Most outlet boxes commonly used for the support of lighting fixtures are not acceptable for fan support and may need to be replaced. Consult a qualified electrician if in doubt.

When mounting fan to a ceiling outlet box, use a METAL octagonal outlet box; do NOT use a plastic outlet box. Secure the outlet box directly to the building structure. The outlet box and its support must be able to support the moving weight of the fixture (at least 35 lbs.).

To avoid personal injury, the use of gloves may be necessary while handling fixture parts with sharp edges.

To reduce the risk of fire, electrical shock or personal injury, wire connectors provided with this fixture are designed to accept only one 12-gauge house wire and two lead wires from the fan. If your house wire is larger than 12-gauge or there is more than one house wire to connect to the corresponding fixture lead wires, consult an electrician for the proper size wire connectors to use.

To reduce the risk of fire or electrical shock, do not use the fixture with any solid state speed control device or control fan speed with a full range dimmer switch.

To reduce the risk of fire, electrical shock or personal injury, do not bend the blades cleaning the fixture. Do not insert objects between the rotating fixture blades.

To reduce the risk of personal injury, use *ONLY* parts provided with this fixture. The use of parts *OTHER* than those provided with this fixture will void the warranty.

To reduce the risk of serious bodily injury, DO NOT use power tools to assemble any part of the fixture.

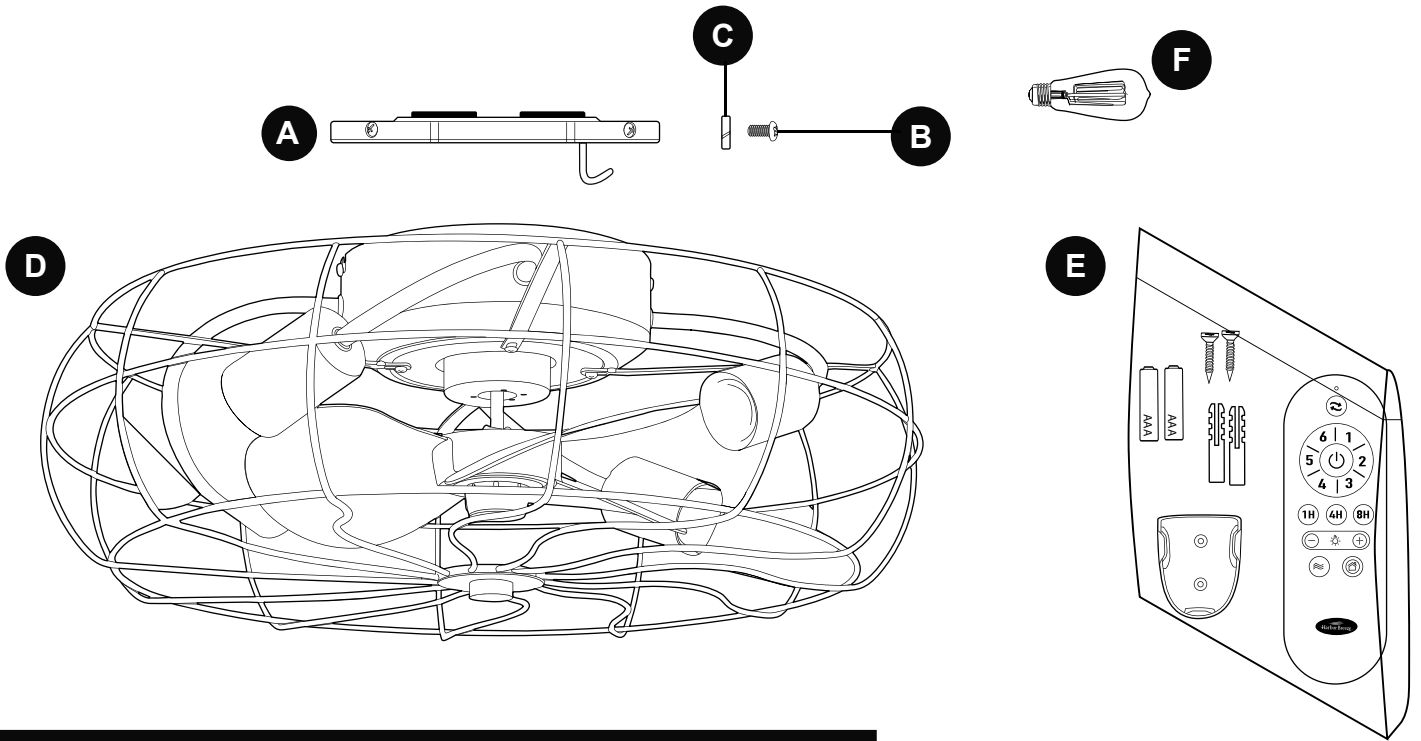
## CAUTION

Be sure outlet box is properly grounded and that a ground wire (GREEN or BARE) is present.

Once installation is complete, carefully check all screws, bolts and nuts on fixture to ensure that they are secured.

**The DC Motor will not operate until blades are installed.**

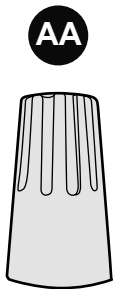
# PACKAGE CONTENTS



PART	DESCRIPTION	QUANTITY
A	Mounting Plate (preassembled to fixture (D))	1
B	Mounting Plate Screw (preassembled to mounting plate (A))	4
C	Lock washer (preassembled to mounting plate screw (B))	4
D	Fixture	1
E	Remote Pack	1
F	Bulb	4

**⚠ IMPORTANT REMINDER:** You must use the parts provided with this fan for proper installation and safety.

# HARDWARE CONTENTS (shown actual size)



Wire Connector

Qty. 3

## PREPARATION

Before beginning assembly of product, make sure all parts are present. Compare parts with package contents list and hardware contents list. If any part is missing or damaged, do not attempt to assemble the product.

**Estimated Assembly Time: 60 minutes**

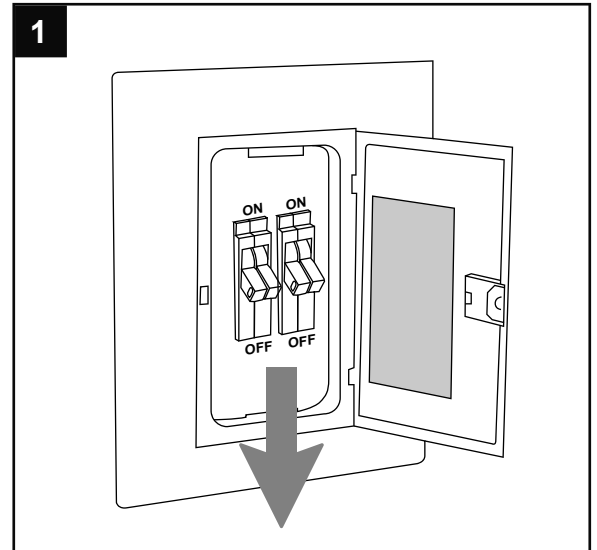
Tools Required for Assembly (not included): Electrical Tape, Phillips Screwdriver, Pliers, Safety Glasses, Stepladder and Wire Strippers

Helpful Tools (not included): AC Tester Light, Tape Measure, Do-It-Yourself Wiring Handbook and Wire Cutters

## ASSEMBLY INSTRUCTIONS

1. Turn off circuit breakers and wall switch to the fixture supply line leads.

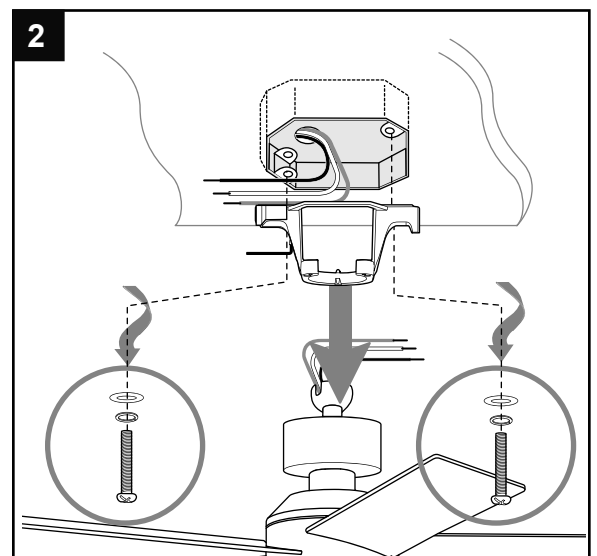
**⚠ DANGER:** Failure to disconnect power supply prior to installation may result in serious injury or death.



2. If applicable, remove existing fan and fan parts, including the mounting bracket, from outlet box and disconnect all electrical wiring.

**⚠ WARNING:** To reduce the risk of personal injury, use *ONLY* parts provided with your new fan. The use of parts *OTHER* than those provided with this fan will void the warranty.

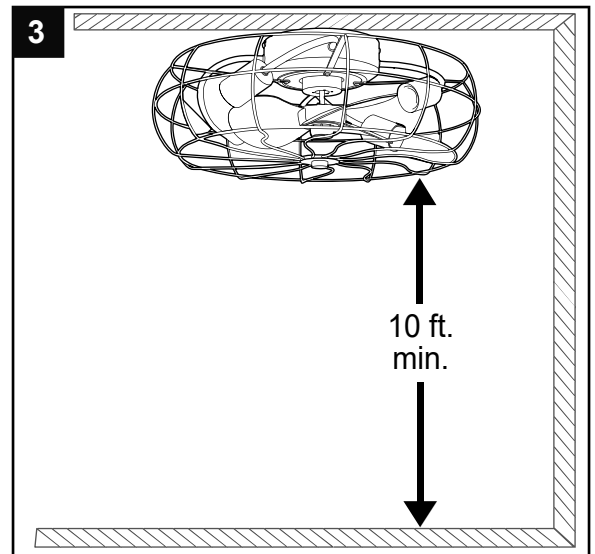
Set aside screws, spring washers and flat washers (provided with the outlet box) for fan installation.



## ASSEMBLY INSTRUCTIONS

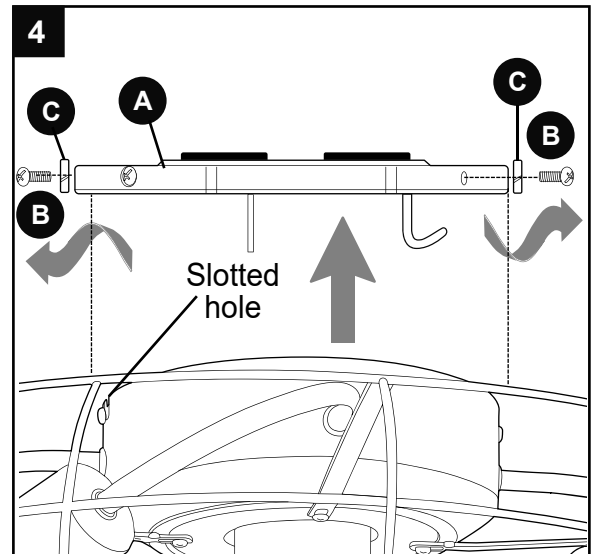
3. This fan can be mounted as a **flushmount** on a regular (no-slope) ceiling only.

Check to make sure blades will be at least 10 ft. above the floor.



4. Locate preassembled mounting plate screws (B) on outer edge of fixture (D) in slotted holes and loosen (but do not remove) those two mounting plate screws (B). Then, remove mounting plate screws (B) and lock washers (C) on outer edge of fixture (D) directly opposite the mounting plate screws (B) that were just loosened.

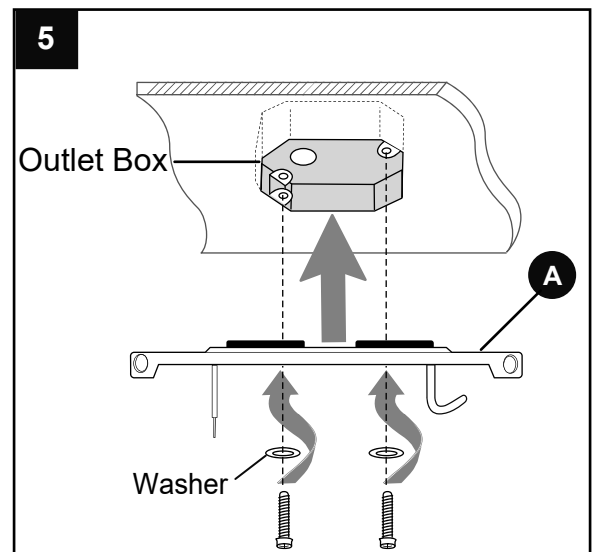
Remove mounting plate (A) from fixture (D) and save mounting plate screws (B) and lock washers (C) for later use.



5. Secure mounting plate (A) to outlet box using screws, spring washers and flat washers provided with the outlet box.

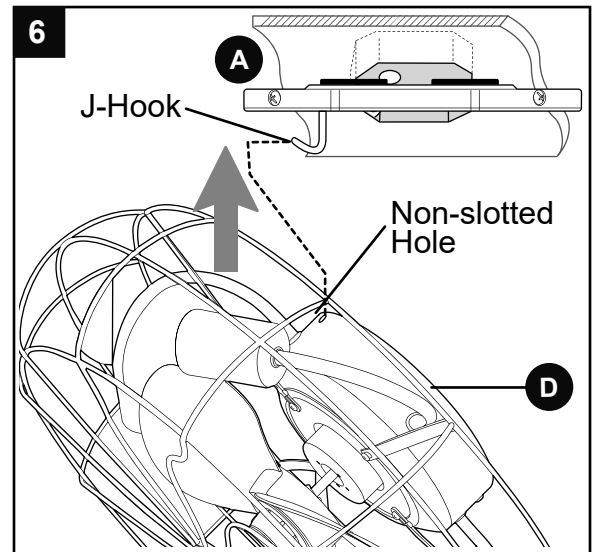
**NOTE:** It is very important you use the proper hardware when installing the mounting plate (A) as this will support the fan.

Pull electrical wiring from outlet box through center hole in the mounting plate (A).



## ASSEMBLY INSTRUCTIONS

6. Lift fixture (D) to mounting plate (A) and then hang fixture (D) on J-hook on underside of mounting plate (A). (Use one of the non-slotted holes on the rim of the fixture (D) to do so.) This will allow fixture (D) to hang out of the way while wiring.

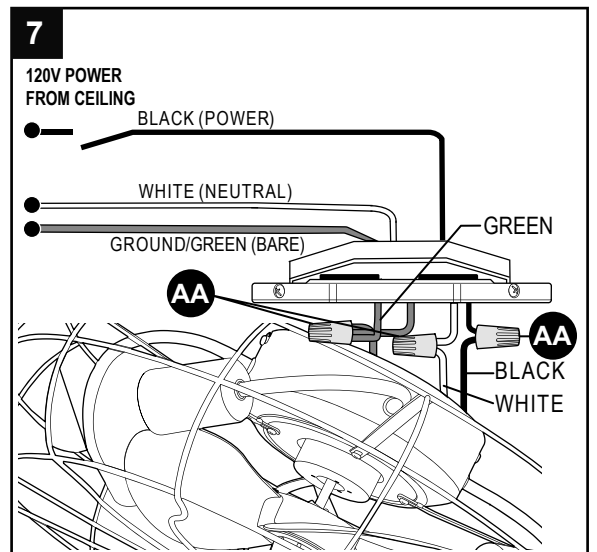


7. **⚠ WARNING:** NEVER connect ground wire to WHITE or BLACK power supply wires.

Connect GROUND (GREEN) wires from fixture (B), if applicable, and mounting plate (A) to BARE/GREEN wire from ceiling using wire connector (AA).

Connect BLACK wire from fixture to BLACK wire from ceiling using wire connector (AA).  
Connect WHITE wire from fixture to WHITE wire from ceiling using wire connector (AA).

**⚠ WARNING:** To reduce the risk of fire, electrical shock or personal injury, lever wire connectors (AA) are designed to accept only one 12-gauge house wire and one lead wire from the light fixture. If your house wire is larger than 12-gauge or there is more than one house wire to connect to the corresponding fixture lead wires, consult an electrician for the proper size lever wire connectors to use.



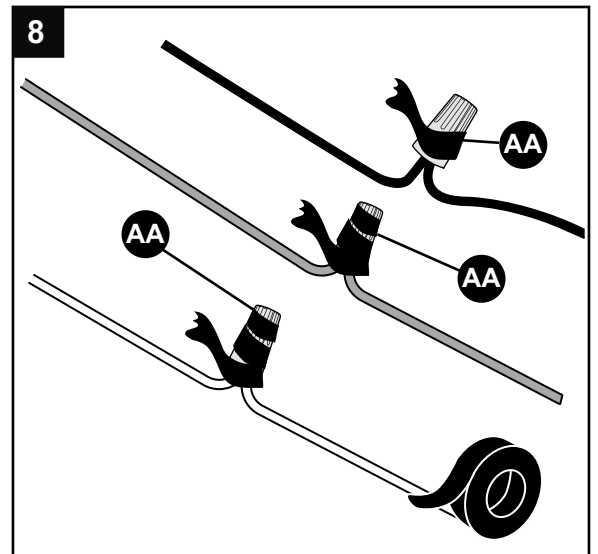
## ASSEMBLY INSTRUCTIONS

8. Wrap electrical tape (not included) around each individual wire connector (AA) down to the wire.

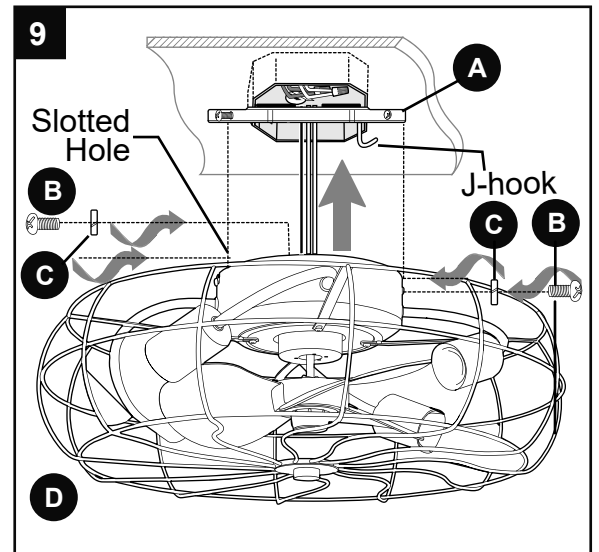
**⚠ WARNING:** Make sure no bare wire or wire strands are visible after making connections. Place BARE/GREEN and WHITE connections on opposite side of box from the BLACK connections.

### Hardware Used

- AA** Wire Connector  x 3

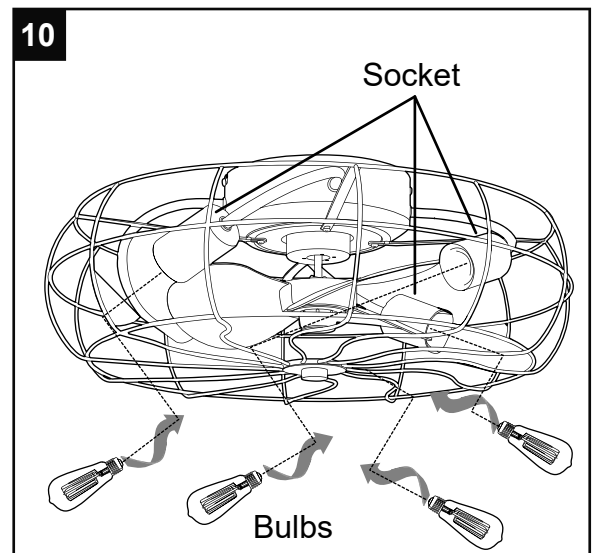


9. Remove fixture (D) from J-hook. Lift fixture (D) to mounting plate (A). Align slotted holes on top rim of fixture (D) with loosened mounting plate screws (B) in mounting plate (A). Twist fixture (D) to lock. Re-insert the two mounting plate screws (B) (along with lock washers (C)) previously removed (step 4, page 7) and then tighten all four mounting plate screws (B) to secure fixture (D).



10. Install 4 medium-base 6-watt max. incandescent bulbs or CFL/LED equivalent.

**⚠ WARNING:** When replacing bulb(s), allow bulb(s) and sockets to cool down before touching.



## OPERATING INSTRUCTIONS

1. Locate remote control transmitter in remote pack (E). Remove battery cover. Install two AAA batteries from remote pack (E). Observe diagram inside battery compartment to install batteries correctly.

**⚠ WARNING:** Batteries are to be inserted with correct polarity.

**⚠ WARNING: Choking/Ingestion Hazard** - Small parts. Keep batteries away from children.

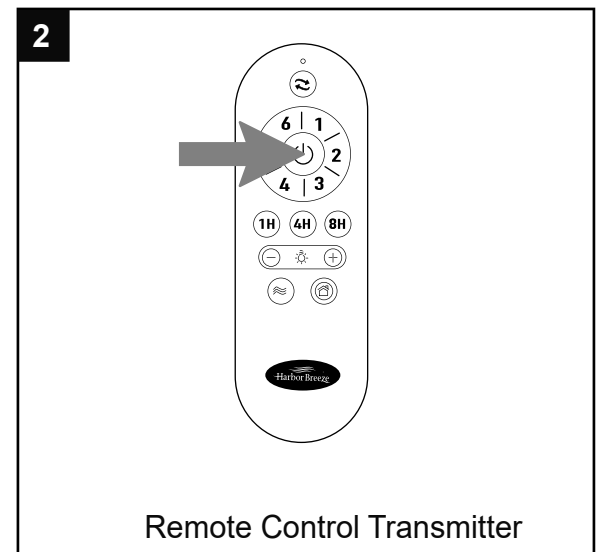
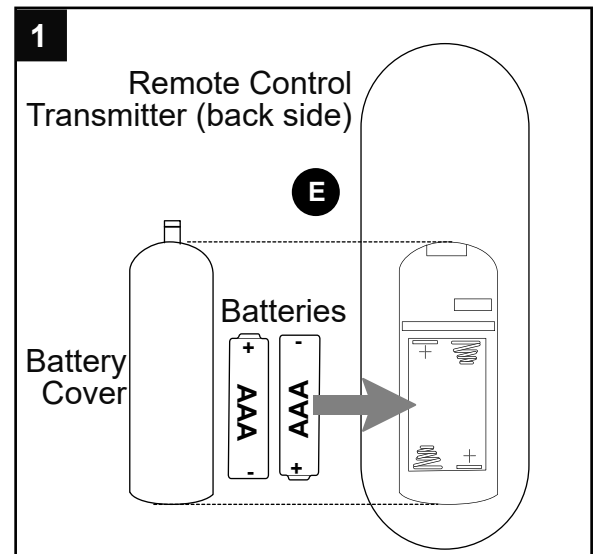
**NOTE:** DO NOT mix old and new batteries; DO NOT mix alkaline, standard (carbon - zinc) or rechargeable (nickel - cadmium) batteries or equivalent.

**NOTE:** Batteries are NOT rechargeable. Remove batteries with low or no charge and dispose of properly.

**⚠ CAUTION:** "DO NOT DISPOSE OF BATTERIES IN FIRE, BATTERIES MAY EXPLODE OR LEAK." - When disposing of household alkaline batteries, it is best to check with your local and state recycling or household hazardous waste coordinators concerning the specifics of the program in your area. You may also locate a recycling center by calling 1-800-8-BATTERY or 1-877-2-RECYCLE or visit [www.epa.gov/epawaste/index.htm](http://www.epa.gov/epawaste/index.htm) or [www.earth911.org](http://www.earth911.org) for more information.

2. Restore electrical power. Replace battery cover. **IMPORTANT:** To prevent damage to remote control transmitter, remove the battery if not used for long periods. Store the remote control transmitter away from excess heat or humidity.

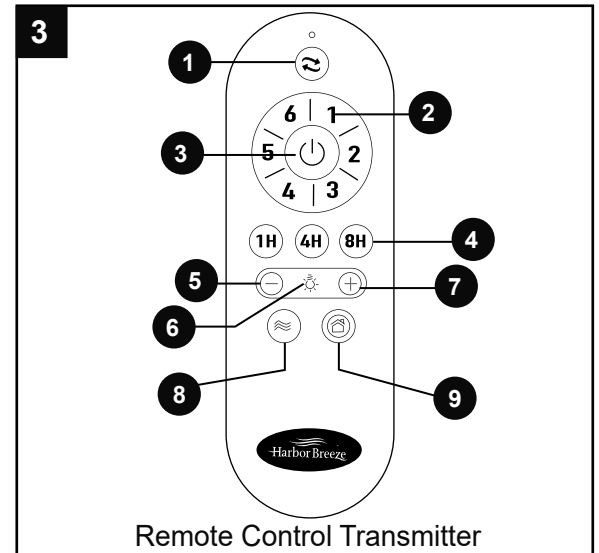
**NOTE:** If fan and/or remote control fail(s) to operate or you have purchased a new remote control transmitter, make sure to turn the power off first. Restore electrical power. Within 30 seconds of powering fan, press and hold ON/OFF button (⏻) on remote control transmitter for 5 seconds until light on the fan blinks twice in order to synchronize remote with fan motor. Use the remote control transmitter to test the light and fan functions to confirm the learning process is complete.



## OPERATING INSTRUCTIONS

3. Operation buttons on the front panel of the remote control transmitter:

- ① - Reverse function — fan must be set on low before reversing blade direction
- ② - Fan speeds: 1 (lowest) to 6 (highest) and to turn fan ON
- ③ - **OFF** power button for fan.
- ④ - Timer mode: fan may be set to run for  
– 1 hour / 4 hours / 8 hours
- ⑤ - — button: press to decrease light brightness
- ⑥ - **ON / OFF**, power button for light brightness.
- ⑦ - + button: press to increase light brightness
- ⑧ - Breeze mode: fan automatically cycles between all 6 different speeds
- ⑨ - Vacation mode: light kit switches on for 5 minutes every 2 hours



## CARE AND MAINTENANCE

At least twice each year, check mounting plate screws (B) and then tighten all screws on the fixture (D). Clean fixture (D) with only a soft brush or lint-free cloth to avoid scratching the finish. Clean blades with a lint-free cloth.

**IMPORTANT:** Shut off main power supply before beginning any maintenance. Do not use water or a damp cloth to clean the fixture.

**Bulb Replacement:** Use four standard-base 6 watt LED bulbs or CFL/incandescent equivalent.

## TROUBLESHOOTING

**! WARNING:** Before beginning work, shut off the power supply to avoid electrical shock.

PROBLEM	POSSIBLE CAUSE	CORRECTIVE ACTION
Fan does not move.	<ol style="list-style-type: none"><li>1. Power is off or fuse is blown.</li><li>2. Faulty wire connection.</li><li>3. Learning code process between fan and remote control transmitter may not have been successful and learning code was not activated.</li></ol>	<ol style="list-style-type: none"><li>1. Turn power on or check fuse at circuit breaker.</li><li>2. Turn power off. Loosen fixture and check all connections.</li><li>3. Turn off power and repeat instructions in Step 2 on page 10.</li></ol>
Noisy operation.	<ol style="list-style-type: none"><li>1. Full range dimmer switch.</li><li>2. Fan is new.</li><li>3. Fixture is loose.</li></ol>	<ol style="list-style-type: none"><li>1. Use only with included speed control device.</li><li>2. Allow fan a "break in" period of a few days, especially when running the fan at Medium and High speeds.</li><li>3. Verify mounting plate screws are secure according to instructions on page 9.</li></ol>
Excessive wobbling.	<ol style="list-style-type: none"><li>1. Fixture not securely mounted.</li></ol>	<ol style="list-style-type: none"><li>1. Verify mounting plate is secure.</li></ol>
Fan operates but light fails.	<ol style="list-style-type: none"><li>1. Bulb(s) not installed correctly. Wires in outlet box not wired properly.</li><li>2. Wall switch to light is off.</li></ol>	<ol style="list-style-type: none"><li>1. Check wires in outlet box and, if necessary, re-wire according to instructions on page 8.</li><li>2. Make sure wall switch to light is on.</li></ol>
Remote control fails to operate.	<ol style="list-style-type: none"><li>1. Remote control transmitter not synced with fan.</li><li>2. Batteries not installed correctly.</li><li>3. Battery/Batteries no longer working.</li></ol>	<ol style="list-style-type: none"><li>1. Refer to instructions in Step 2 on page 10.</li><li>2. Check that batteries have been installed with correct polarity.</li><li>3. Replace both batteries according to instructions on page 10.</li></ol>

**NOTE:** A small amount of "wobble" is normal and should not be considered a defect.

## LIMITED LIFETIME WARRANTY

---

Set forth below, the manufacturer warrants the fan motor for this ceiling fan to be free from defects in workmanship and material for the life of the product. Also, subject to the limitations below, the manufacturer warrants all ceiling fan parts (“ceiling fan parts” excludes the motor and parts made in whole or in part with glass) to be free from defects in workmanship and material for a period of one year after the date of purchase by the original purchaser at retail.

All claims must be made by the original purchaser, whether such purchaser purchased the product through a store or contractor. Ceiling fan part defects must be reported within the first year from the date of purchase. Parts made in whole or in part with glass and the finishes of metal and other surfaces are not warranted.

Purchasers are responsible for all costs of removing and reinstalling the product. Any damage to any part caused by ordinary wear and tear, accident, misuse, or improper installation, is not covered by this warranty. The manufacturer assumes no responsibility whatsoever for fan installation. Any service performed by a non-licensed electrician will render the warranty invalid.

The manufacturer’s sole responsibility shall be to repair or replace the motor, parts, or product within the terms stated above. The manufacturer shall not be liable for any loss or damage of any kind, including any incidental or consequential damages resulting directly or indirectly, from any breach of warranty, express or implied, or any other failure of this product. Some states do not allow the exclusion or limitation of incidental or consequential damages so this limitation may not apply to you.

If the original purchaser ceases to own the fan, this warranty is voided.

Should the purchaser encounter a problem with your fan related to defects in workmanship or materials within the warranty period associated with the defective part, the manufacturer agrees to replace the defective part without charge, or at its option, to replace the ceiling fan with a comparable or superior model.

The manufacturer’s warranties are limited to the written warranties set out in this ceiling fan limited lifetime warranty. All other express and implied warranties, including, without limitation, the implied warranty of fitness for a particular purpose and the implied warranty of merchantability are disclaimed. Some states do not allow the disclaimer of implied warranties, so this disclaimer may not apply to you.

## REPLACEMENT PARTS LIST

---

For replacement parts, call our customer service department at **888-251-1003**, 8 a.m. - 8 p.m., EST, Monday - Sunday. You could also contact us at [ascs@lowes.com](mailto:ascs@lowes.com).

PART	DESCRIPTION	PART #
A	Mounting Plate	6020794-A

