



### Features

- End drain.

### Material

- Acrylic

### Hydrotherapy

- Pump with air switch for whirlpool.
- Automatic purge cycles remove residual water from air channels after use.
- 118-122 BubbleMassage™ airjets.
- Single-speed whirlpool offers eight fully adjustable hydro-massage jets for water flow and direction.

### Required Accessories

K-7271 Brass Slotted Overflow Bath Drain

or

K-7272 PVC Slotted Overflow Bath Drain

### Recommended Accessories

K-24916 Wireless Music Kit



ADA

### Codes/Standards

ASME A112.19.7/CSA B45.10

CSA B45.5/IAPMO Z124

ASTM E162

ASTM E662

UL 1795

Greenguard UL 2818 - Gold

ADA

ICC/ANSI A117.1

### KOHLER® Plastic Baths and Receptors

#### Lifetime Limited Warranty

#### KOHLER® Hydrotherapy Components

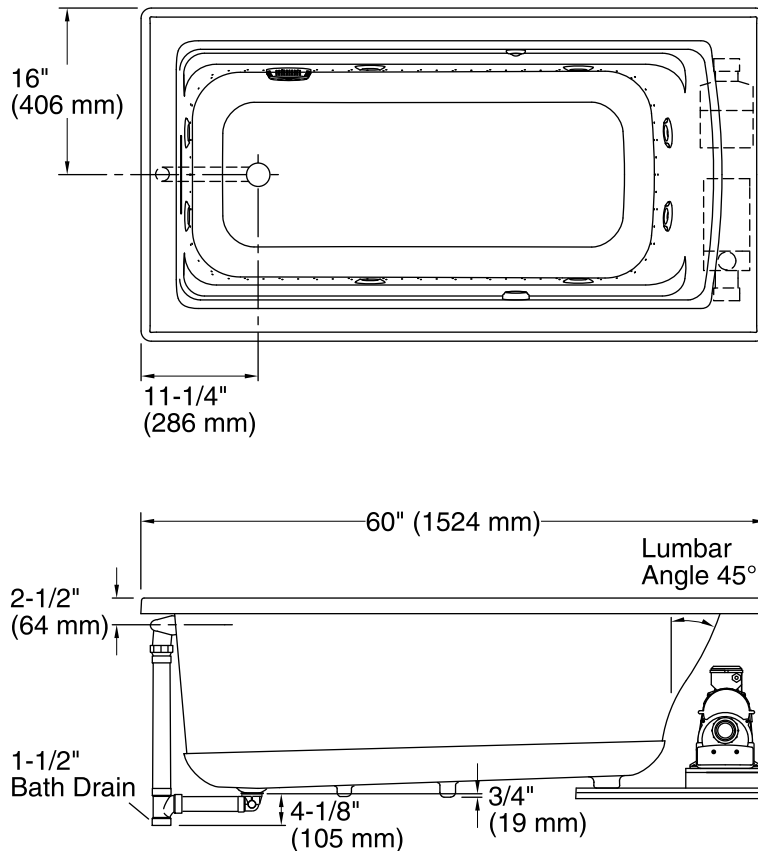
#### Five-Year Limited Warranty

See website for detailed warranty information.

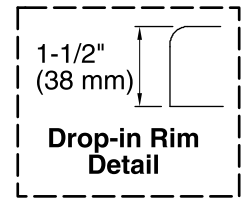
### Available Color/Finishes

*Color tiles intended for reference only.*

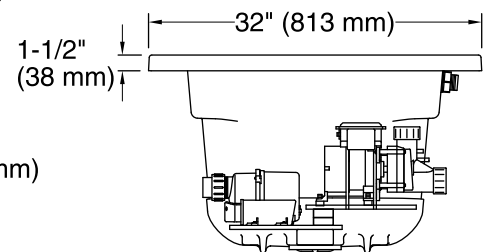
Color	Code	Description
	0	White
	96	Biscuit
	47	Almond
	NY	Dune
	95	Ice™ Grey
	G9	Sandbar



No change in measurements if connected with drain illustrated. (K-7272)



Required Access  
 30" (762 mm) W x 15" (381 mm) H



### Required Electrical Service

Two dedicated circuits required, protected with Class A Ground-Fault Circuit-Interrupter (GFCI) or Residual Current Device (RCD).

Pump: 120 V, 15 A, 60 Hz  
 Blower: 120 V, 15 A, 60 Hz

### Technical Information

All product dimensions are nominal.

Installation: Drop-in  
 Drain location: End  
 Basin area, bottom: 45-1/8" x 19-11/16" (1146 mm x 500 mm)  
 Basin area, top: 52-3/4" x 25-5/16" (1340 mm x 643 mm)  
 Weight: 160 lbs (72.6 kg)  
 Minimum floor load: 47.5 lbs/ft<sup>2</sup> (231.9 kg/m<sup>2</sup>)  
 Water depth: 15" (381 mm)  
 Water capacity: 58 gal (219.6 L)  
 Electrical component rating: Pump: 120 V, 7 A, 60 Hz  
 Blower: 120 V, 10 A, 60 Hz  
 Blower speed: Single  
 Minimum flat for door: 2-3/16" (56 mm)

### Notes

Measure your actual product for rough-in details. Install this product according to the installation instructions.  
 The hot water supply should be 70% of the capacity of the bath or greater. Installations will vary.  
 ADA compliant when installed to the specific requirements of these regulations.