

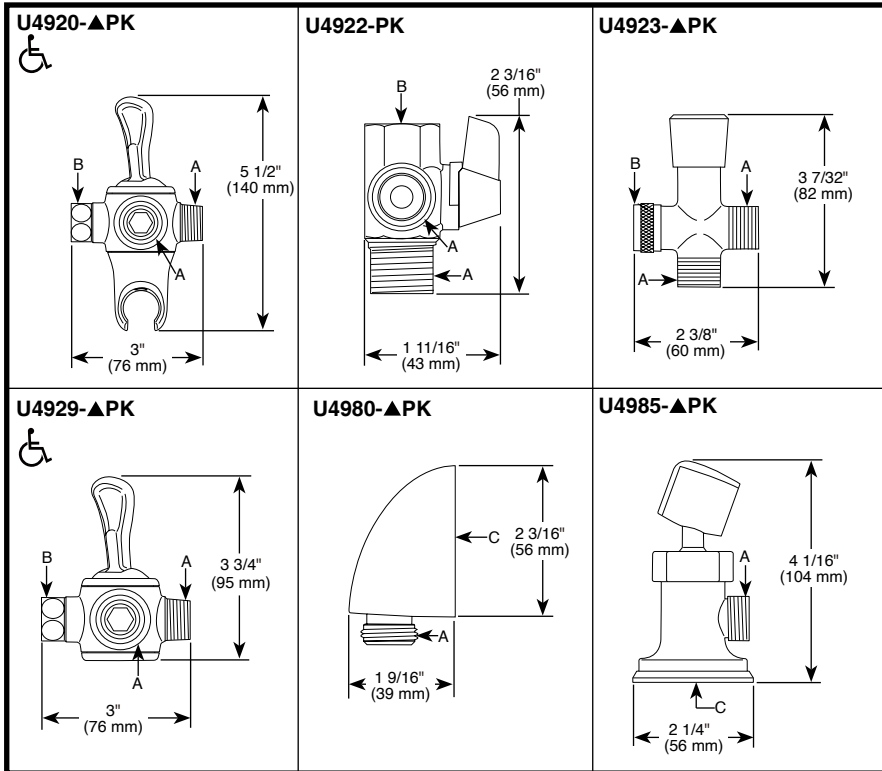
Submitted Model No.: _____

Specific Features: _____



see what Delta can do™

Shower Accessories



▲ Designate proper finish suffix

Thread Specification:

A	1/2-14 NPSM-2A
B	1/2-14 NPSM-2B
C	1/2-14 NPT-2B

STANDARD SPECIFICATIONS:

- ADA compliant flip lever: U4920-▲PK, U4929-▲PK
- Water supply elbow: U4980-▲PK.
- Water supply elbow with mount: U4985-▲PK
- Diverters: U4920-▲PK, U4922-PK, U4923-▲PK, U4929-▲PK

WARRANTY

- Parts and Finish – Lifetime limited warranty; or for commercial purchasers, 10 years for multi-family residential (apartments and condominiums) and 5 years for all other commercial uses, in each case from the date of purchase.
- Electronic Parts and Batteries (if applicable) – 5 years from the date of purchase; or for commercial purchasers, 1 year from the date of purchase. No warranty is provided on batteries.

COMPLIES WITH:

ASME A112.18.1 / CSA B125.1

♿ Indicates compliance to ICC/ANSI A117.1 - Applies to U4920-▲PK & U4929-▲PK only