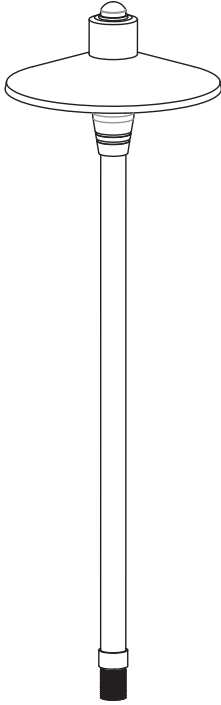


# VOLT®



## INSTALLATION INSTRUCTIONS

VOLT® LOW VOLTAGE LANDSCAPE LIGHTING

**ITEM: LPL-PLKIT3**

1-813-978-3700 • Mon-Fri 8am-8pm • Sat-Sun 10am - 6pm (EST)

 **IMPORTANT: PLEASE READ BEFORE INSTALLATION**

This fixture is intended for installation in accordance with local codes and the National Electric Code (NEC). Failure to adhere to these codes and instructions may result in serious injury, property damage and void the warranty.

These instructions do not intend to cover all variations in installation, operation maintenance or mounting situation.

1. Make sure that the power is turned OFF before installing or servicing this fixture.
2. This fixture is perfect for placing in water fountains, water falls, ponds, pools, etc.
3. This fixture is intended to be used only with a power supply (transformer) rated maximum of 300 watts (25 AMPS) at 12 volts ~ 22 volts.
4. Underground Low Energy Cable must not be buried over 6" (15.2 cm) in order to connect to the main low voltage cable.
5. Wiring connections must be made with UL listed wire connectors that is suitable for outdoor use.
6. Position the wire connector so that it is located within 6 inches (15.2 cm) from a building structure, a luminaire, or fitting.

**IMPORTANT SAFETY INFORMATION****LIT FIXTURE IS HOT!**

**WARNING** – To reduce the risk of FIRE OR INJURY TO PERSONS.

1. Turn off/unplug and allow to cool before reducing lamp.
2. Lamp gets HOT quickly!
3. Do not touch the hot lens, guard or cowl.
4. Keep lamp away from materials that may burn.
5. Do not touch lamp at any time.
6. Use a soft cloth.
7. Oil from skin may damage lamp.
8. Do not operate the fixture with a damaged or missing lens or shield.

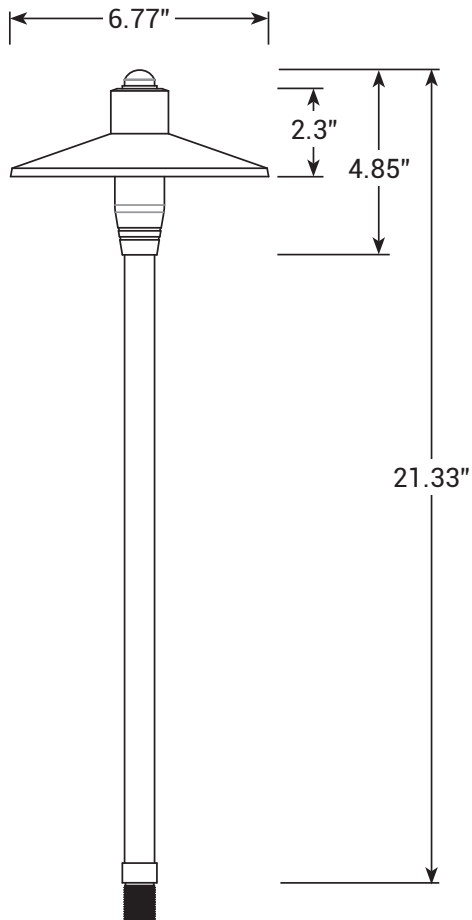
**SAVE THESE INSTRUCTIONS**

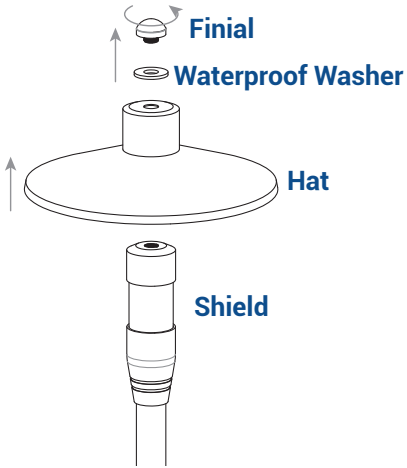
## PACKAGE CONTENTS

- A. (1) Fixture Body
- B. (1) Stake

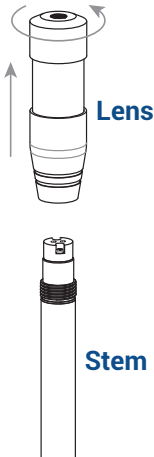
- C. (1) G4 Bulb

## PRODUCT DIMENSIONS



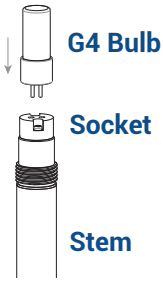
**1 REMOVE HAT**

Remove the finial, waterproof washer and the hat from the lens.

**2 REMOVE LENS**

Twist the lens and remove it from the stem.

### 3 INSTALL G4 BULB

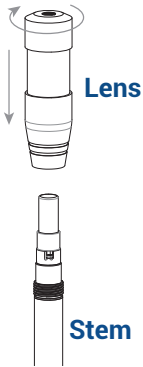


Insert the G4 bulb with correct wattage and type marked on the fixture label.

**CAUTION:** Do not exceed maximum wattage marked on luminaire label.

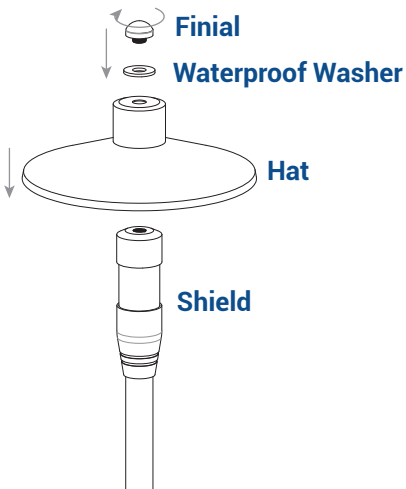
**NOTE:** DO NOT touch G4 bulb with bare hands. Use soft cloth to handle the bulb.

### 4 INSTALL LENS



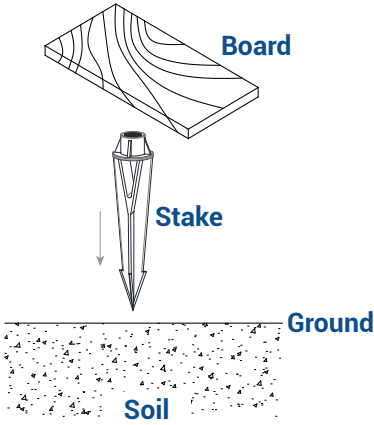
Thread the lens back onto the stem and hand tighten.

### 5 INSTALL HAT



Place the hat, waterproof washer back onto the lens and secure with the finial. Hand tighten.

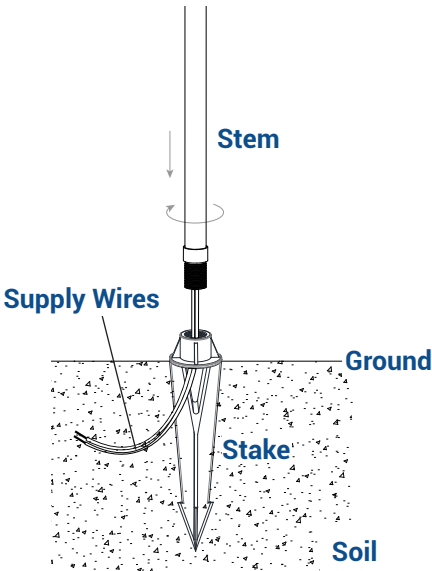
**6 INSTALL STAKE**



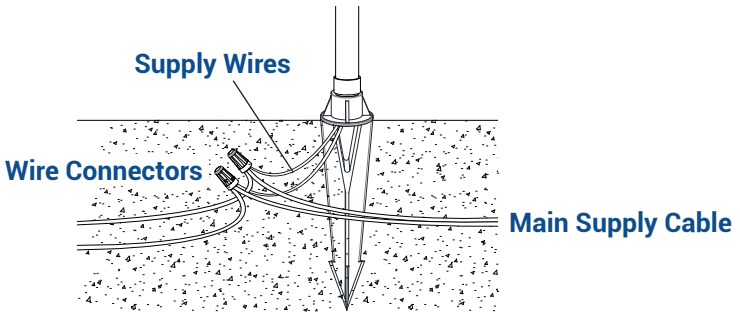
Determine your desired location for mounting the fixture. Hammer the stake into the ground until flange of stake is flush to grade. To avoid damage to the stake, place a board on top of the stake while hammering.

Note: If the ground is hard and the stake is difficult to install, make a crosscut in the ground using a flat shovel.

**7 INSTALL FIXTURE TO STAKE**



Pass supply wires through the center of the stake and thread the fixture onto the stake.



Strip two leads from fixture supply wires. Using two UL listed wire connectors (not provided), connect leads from fixture supply wires to main supply cable leads.

## INSTALL/REPLACE G4 BULB

Please refer Step 1 - Step 3 to expose the G4 bulb and replace it with correct wattage and type marked on fixture label. Then reinstall the lens and hat.

**IMPORTANT:** G4 bulb must be protected from moisture and dust at all times. Always re-install the lens and hat when removed.



1-813-978-3700 • Mon-Fri 8am-8pm • Sat-Sun 10am - 6pm (EST)

Specifications and product details subject to change without notice.  
© Copyright 2024, VOLT® Lighting, Lutz FL USA 33549 • All rights reserved.  
[customersupport@voltlighting.com](mailto:customersupport@voltlighting.com) • [www.voltlighting.com](http://www.voltlighting.com)