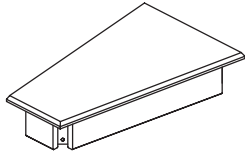
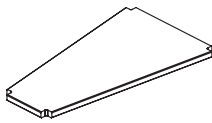


Your new Leick Home table will give you years of trouble-free performance. Thank you for choosing our product for your home. **Please read carefully and save these instructions, as you may need them at a later date.**

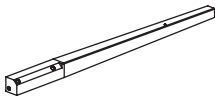
**What's in the box**



**A** Top Assembly



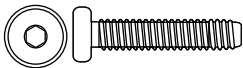
**B** Shelf



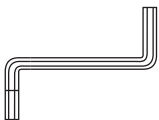
**C** Right Leg x2



**D** Left Leg x2



**E** Bolts x8



**F** Allen Wrench

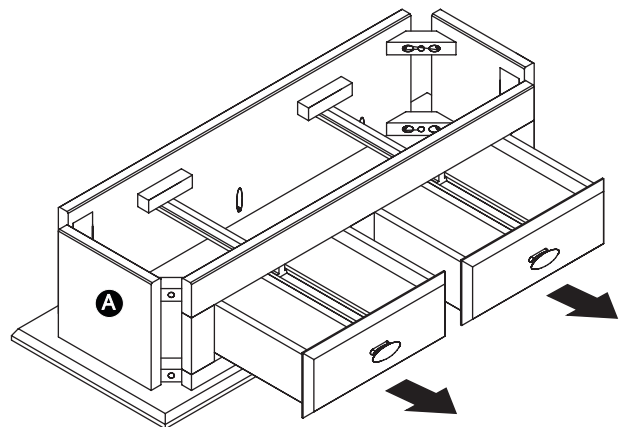


**G** Shelf support x4



**Figure 1**

**Top Assembly**

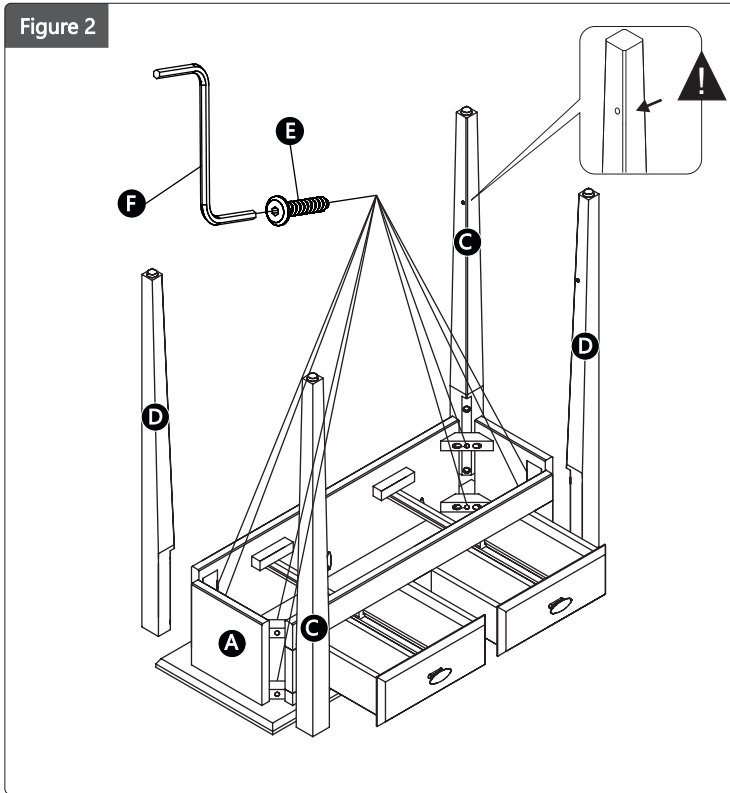


**Steps to Install**

1. Before installation, carefully unpack and identify all parts.
2. Placetop assembly (A) upside down on a soft surface and open the drawers. (See Figure 1).

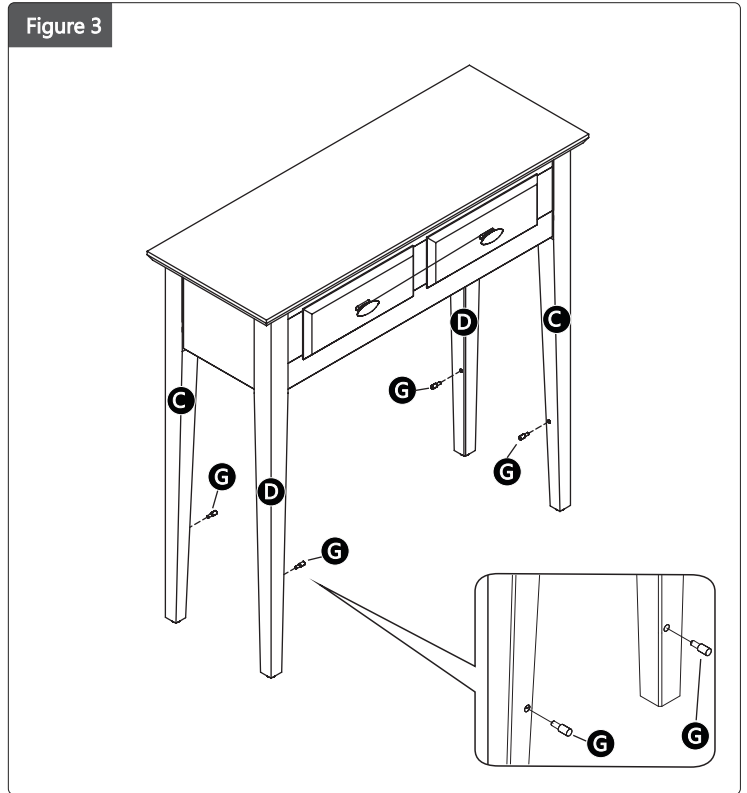
Continued on next page

Figure 2



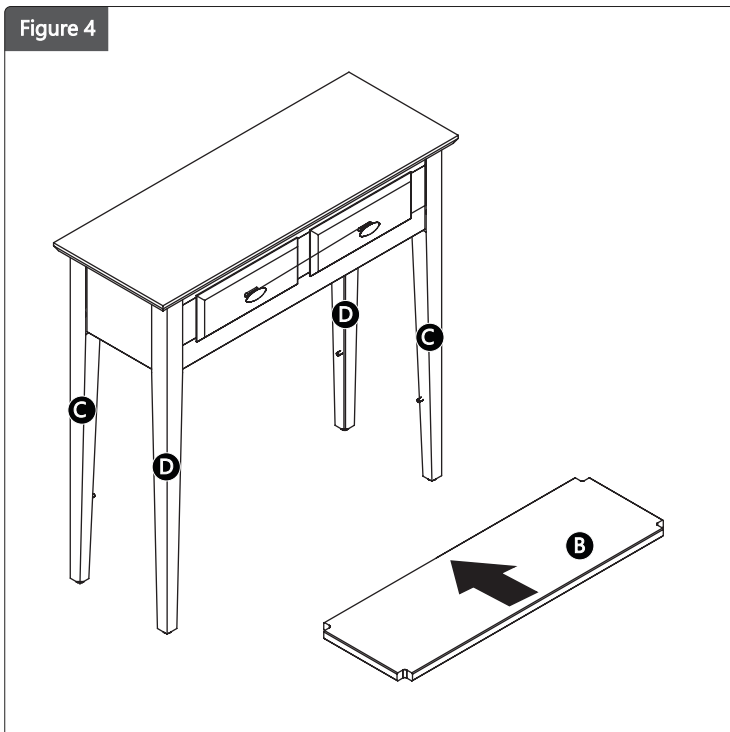
3. Fix right legs (C) and left legs (D) to the top assembly (A) with bolts (E), using Allen wrench (F). Do not over-tighten. (See figure 2).

Figure 3



4. Fit shelf support (G) into right legs (C) and left legs (D). (See figure 3).

Figure 4



5. Fit the shelf (B) between the right legs (C) and the left legs (D) onto the shelf support (G). (See figure 4).